

Drage

B&T





Drage

Bench — Low Table

Indoor



Drage

Bench — Low Table

Indoor



Drage

Bench — Low Table

Drage

Meet the Drage family, bringing energy and dynamism to waiting areas, with their organic forms which render their modest and refined design timeless.

Indoor

Distinguished with their modest design, the Drage family supports the creation of a holistic and balanced perception of space, while its poufs with their three different forms turn the shared areas of spaces such as hotels, offices, schools, hospitals into unique spots of experience.





Drage family while its low tables stand out with their circular forms, enabling possible matches specific to the language of aesthetics and the needs of use of wherever they are, thanks to their three different heights and widths, their options of sheet metal surface, and colour alternatives.

Designer

Alp Nuhoğlu - 2021

Drage

Bench — Low Table

Indoor





Drage

Bench — Low Table

Indoor

Product Details



Emphasizing their twisted turns, the traces of their stitches characterize the Drage pouffes of different forms and dimensions. Rendering possible the creation of numerous combinations and striking matches with the colour options in the chart, the Drage pouffes with their organic forms make every space less ordinary, much warmer, more vibrant and inviting.



Turning in every space into an element of balance with their circular form, the Drage with their modest style exercise an effect on the waiting rooms of hotels, offices, schools and hospitals, while they make the space less ordinary by allowing the creation of numerous combinations with their colour and material alternatives in the chart.



Drage

Bench — Low Table

Indoor

Finish Options

A rich range of material choices is provided for Drage series to create the best match within interior style.

Low Table Finishes

Metal - Electrostatic Powder Coating



Upholstery

Fabric, Leather

Pouf

Fabric (m)	140cm	5
	152cm	5,5
	180cm	6,5
	220cm	4,3
	270cm	5,3
	267x203cm	7,5
	327x203cm	8,6
	352x257cm	9,8
377x203cm	9,6	
Leather (m ²)	140cm	7,5
	152cm	8,25
	180cm	9,75
	220cm	6,45
	270cm	7,95
	267x203cm	11,25
	327x203cm	12,9
	352x257cm	14,7
377x203cm	14,4	

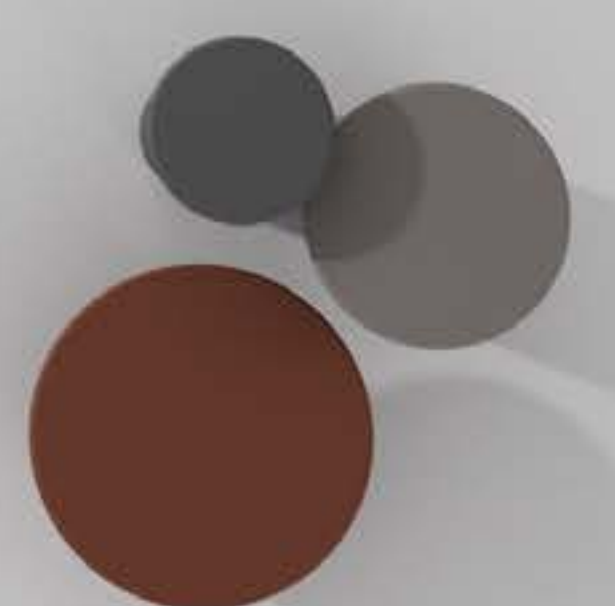
More options are downloadable in the catalogues

MATERIAL CATALOGUE



FABRIC & LEATHER CATALOGUE





Drage

Bench — Low Table

Indoor

Models of Product

Benches



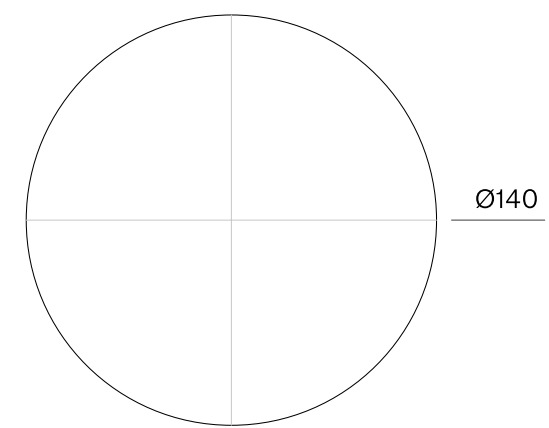
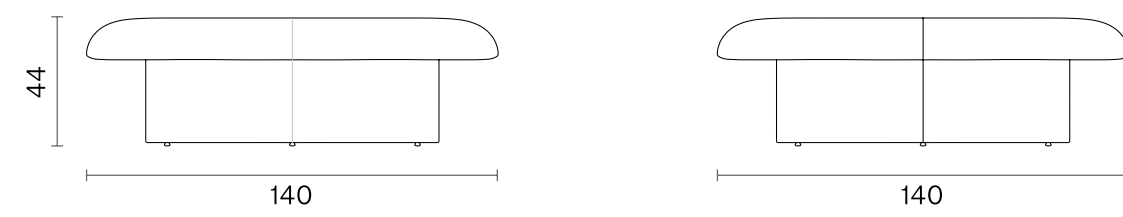
Low Table



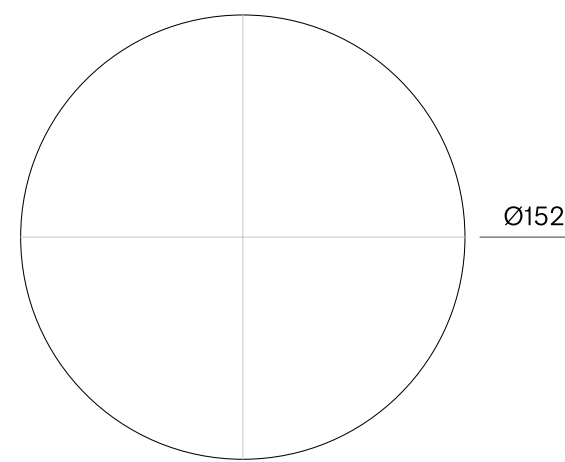
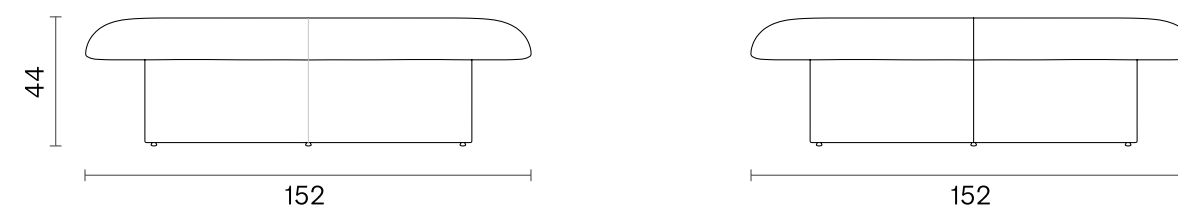
Dimensions (cm)

Benches

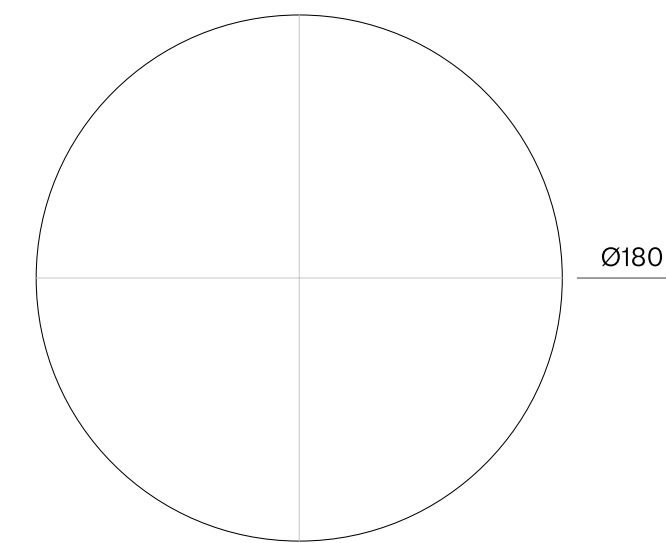
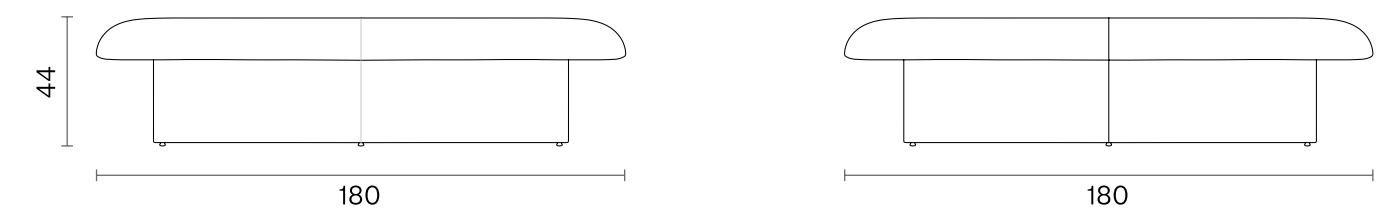
Round 140



Round 152

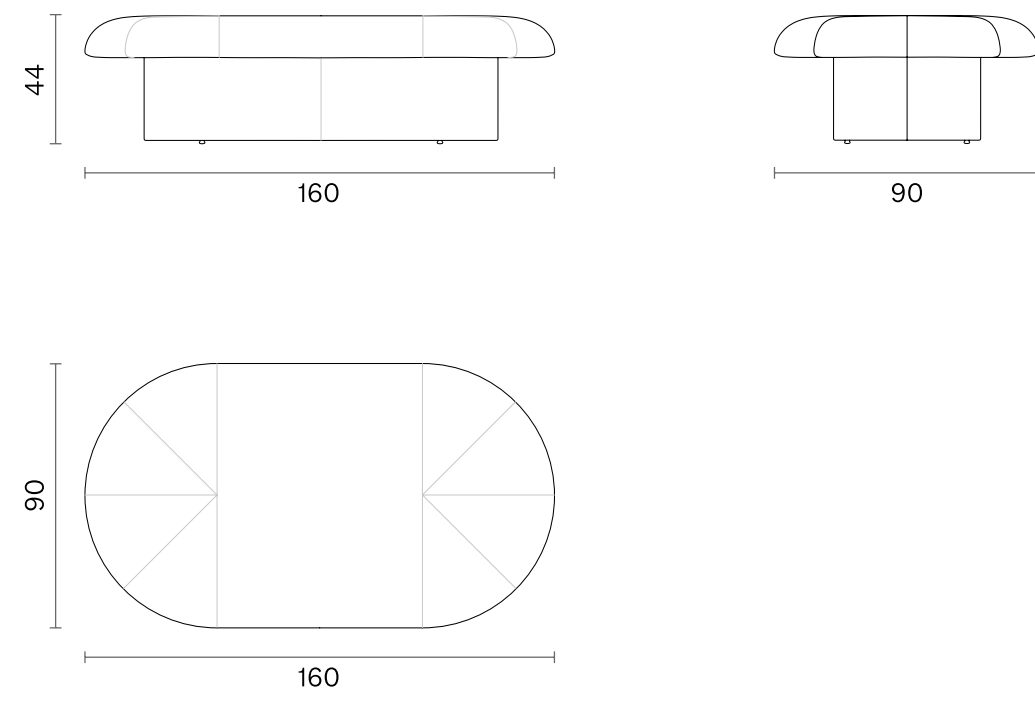


Round 180

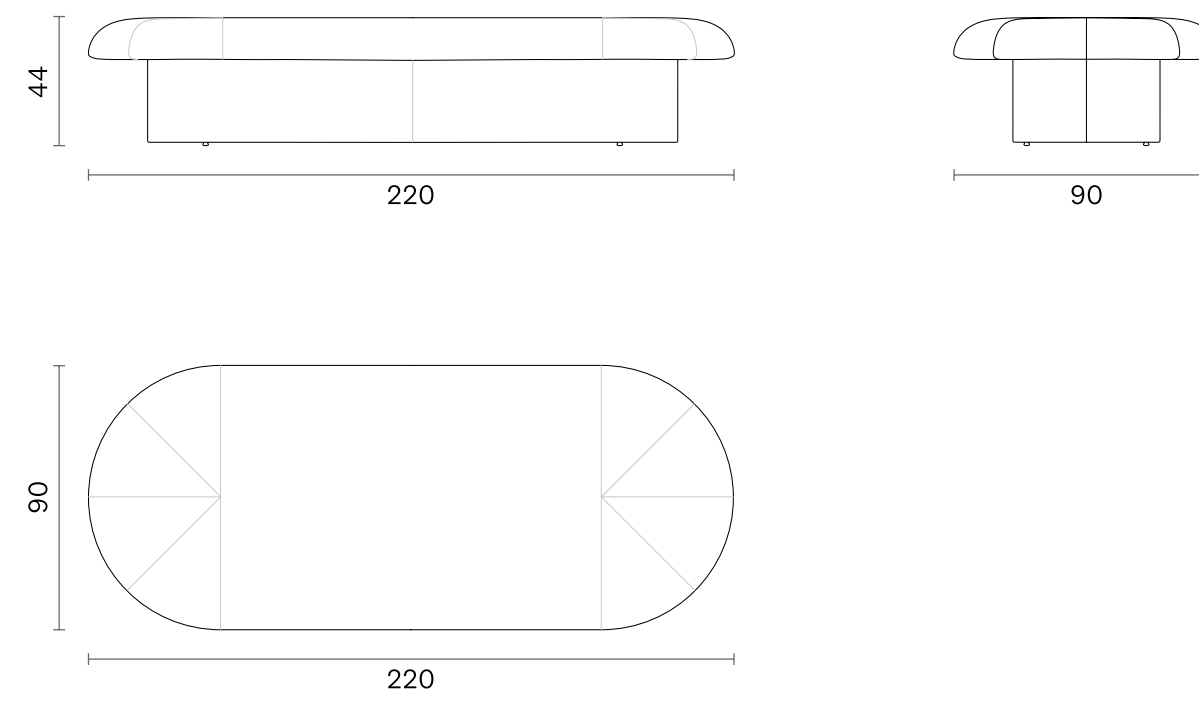


Dimensions (cm)

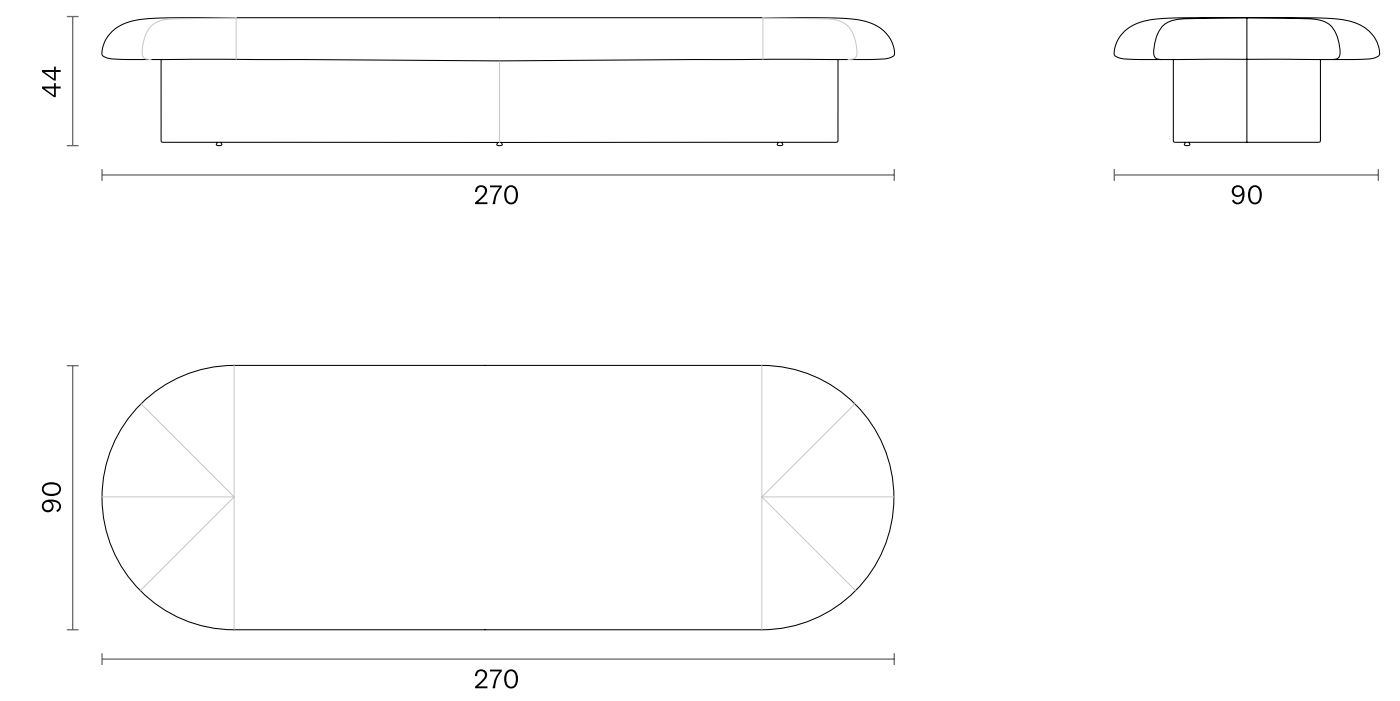
Straight 160



Straight 220

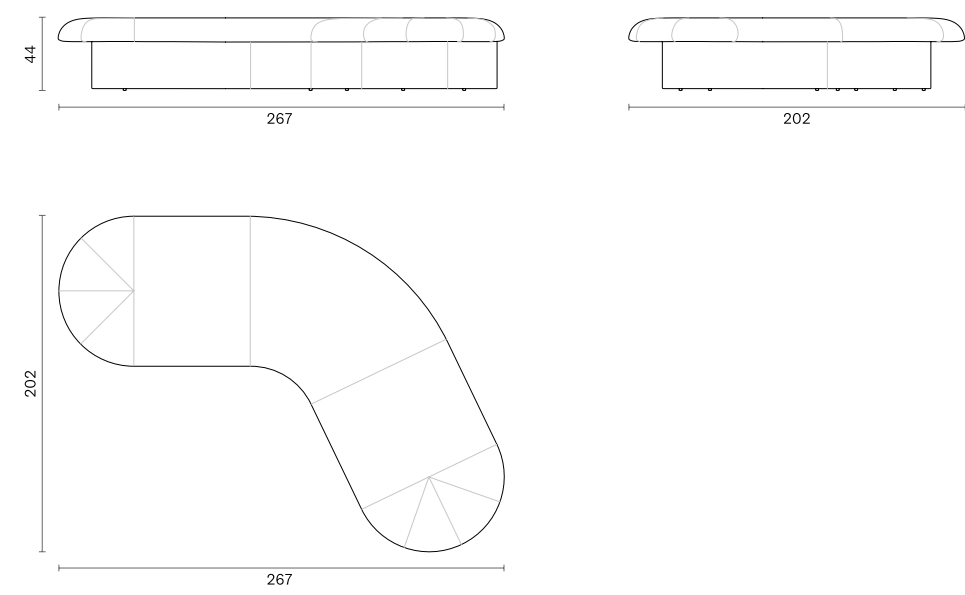


Straight 270

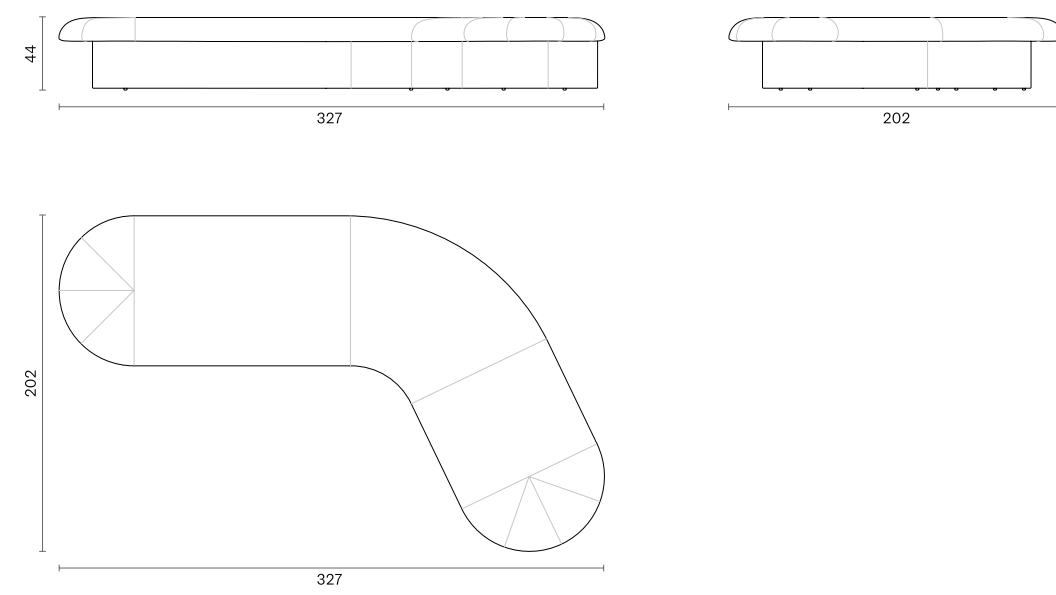


Dimensions (cm)

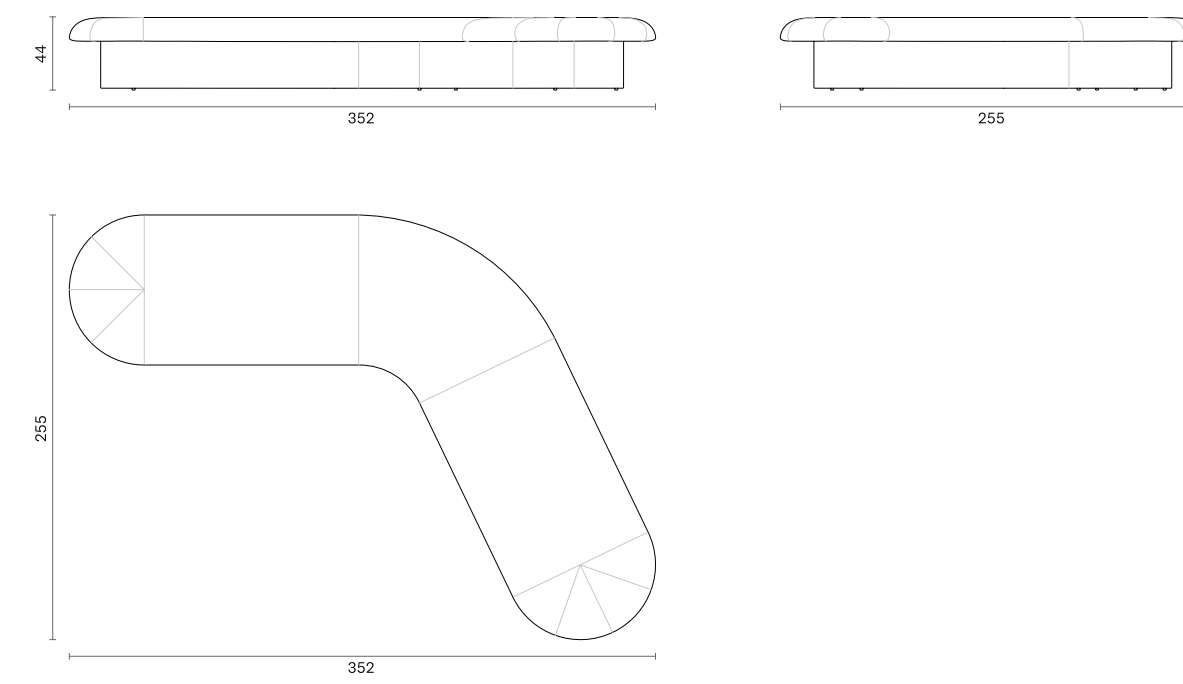
Corner 267



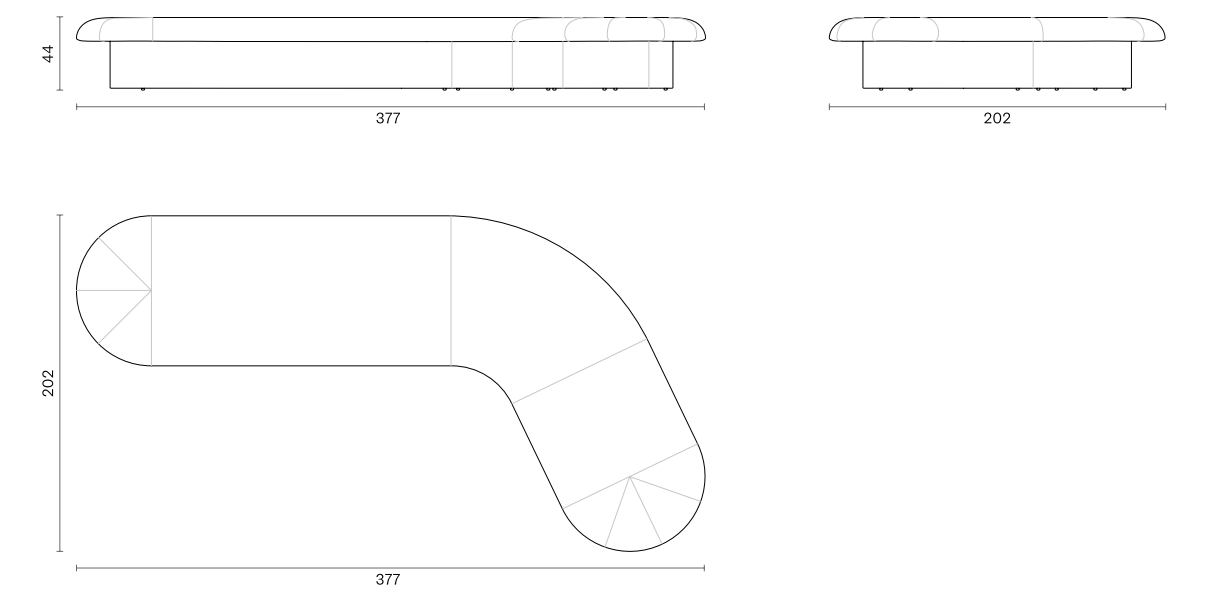
Corner 327



Corner 352



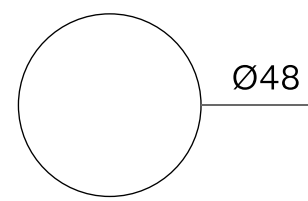
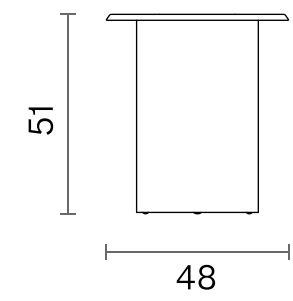
Corner 377



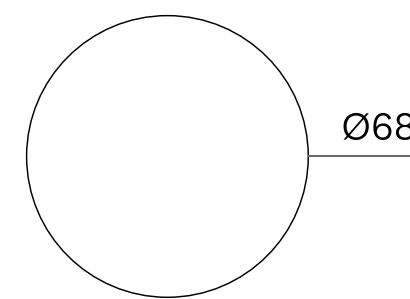
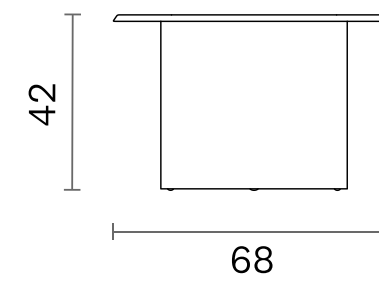
Dimensions (cm)

Low Table

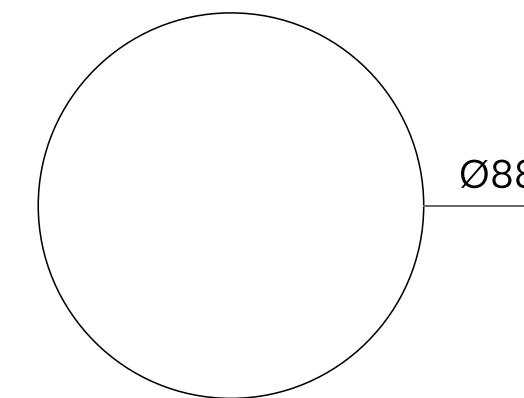
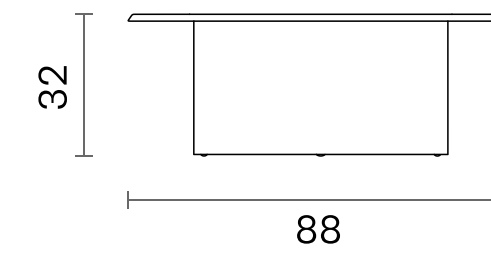
Ø48



Ø68



Ø88



Downloads

2D & 3D FILES 

PRODUCT IMAGES 

CERTIFICATES 

You can run this product with following system:



Drage

Bench — Low Table

Indoor

Technical Specifications			Benches	
	Package Dimensions (cm) Quantity in Box: 1	Volume (m³)	Structure	Seat
Ø140	150x150x50	1,25	Solid Beechwood + Plywood	HR Foam
Ø152	160x160x50	1,28		
Ø180	190x10x50	1,80		
Straight 160	170x100x50	0,85		
Straight 220	230x100x50	1,15		
Straight 270	280x100x50	1,40		
Corner 267x203	277x213x50	2,15		
Corner 327x203	337x213x50	3,25		
Corner 352,5x257,5	362x267x50	4,35		
Corner 377x203	387x213x50	3,71		

Technical Specifications			Low Table		
	Package Dimensions (cm) Quantity in Box: 1	Volume (m³)	Weight (kg)	Base	Top
Ø48	55x55x60	0,17	8	1,5mm Metal Sheet + Electrostatic Powder Coated	1,5mm Metal Sheet + Electrostatic Powder Coated
Ø68	75x75x50	0,26	10		
Ø88	95x95x38	0,35	14		

CARE AND MAINTENANCE 

Care and maintenance instructions & warranty certificate **click and download**

Inspire. Create. Deliver.