






SPACE L

-  MEETING
-  DOUBLE
-  W/O FURNITURE

 ISOLATION

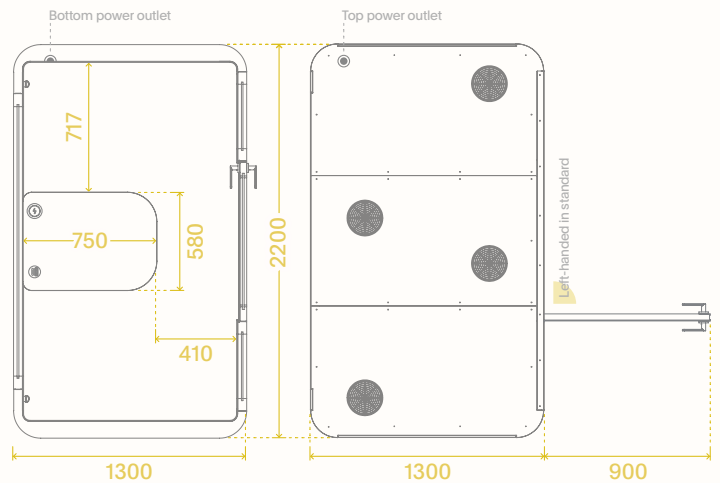
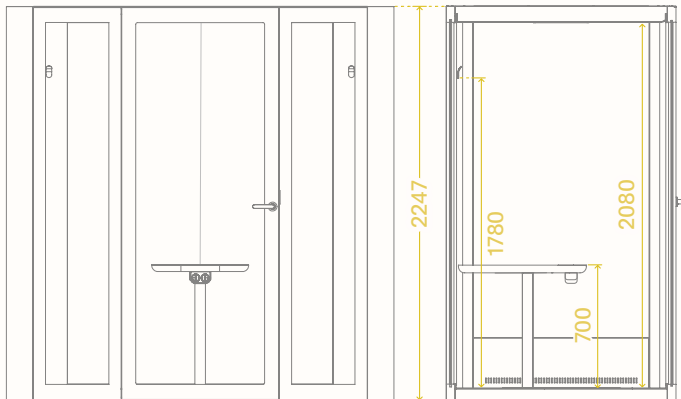
 LOW, MEDIUM & HIGH TONES

An alternative to classic conference rooms, video rooms and project rooms. Three versions to match every office.

MUTE.

SHAPE AND DIMENSIONS mm

+/- 3 mm



DIMENSIONS mm

	WIDTH	DEPTH	HEIGHT
External	2200	1300 +900 mm with open door	2247 +2000 mm for ventilation +20 mm for leveling
Internal	2000	1192	2080

WEIGHTS kg

NET	GROSS
725	971 including wooden case and packaging parts

COMPOSITION

The construction of Space L is the effect of work of our acoustics, technology and design departments. Walls of Space L are built from several layers of meticulously chosen materials responsible for one of the highest results of sound isolation and sound absorption inside the pod.

- Absorbing materials
- Felt
- Isolating materials
- Metal covers
- Plywood
- Soundproof glass

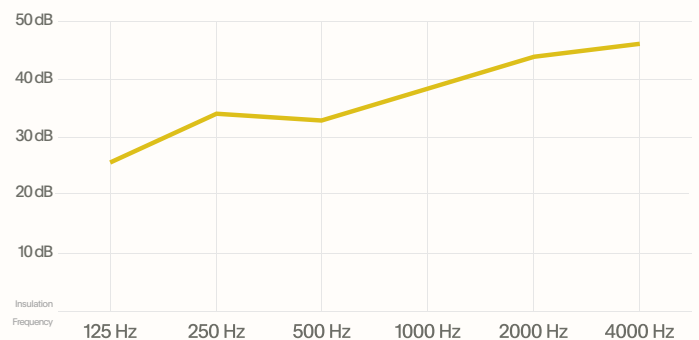
USAGE

- Open space
- Library
- Reception
- Breakout area
- Other public spaces (including railway stations and airports)

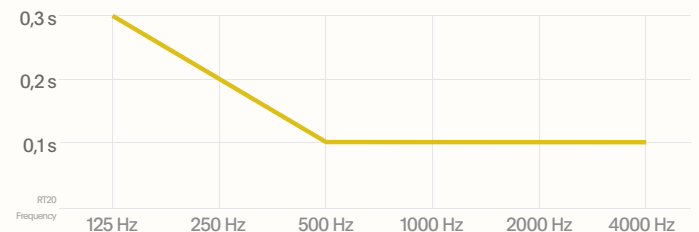
CARE

- Keep the product dry
- Vacuum and clean regularly
- Follow the assembly instructions and terms of use

AVERAGE SOUND INSULATION



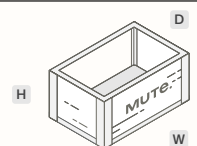
RT20 PERFORMANCE INSIDE PER PN-EN ISO 354:2005



PACKING

- Space L is delivered in two wooden cases, each of following dimensions:

W 2360 x D 885 x H 1345 mm



- Dedicated sofas are delivered in two boxes, each of following dimensions:

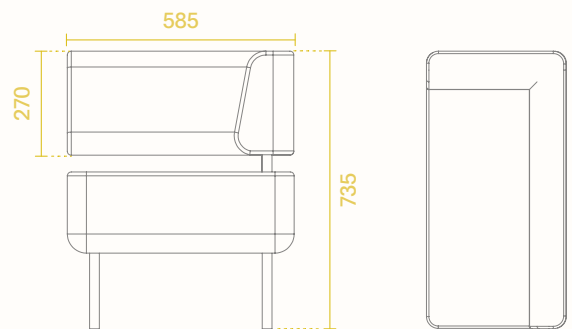
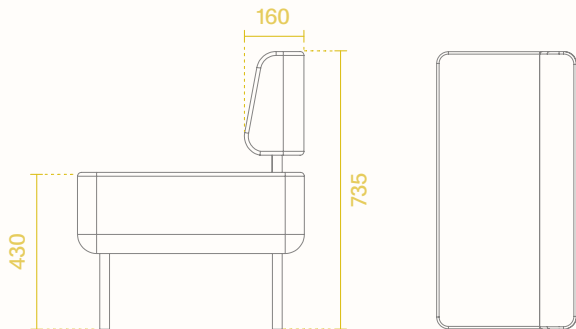
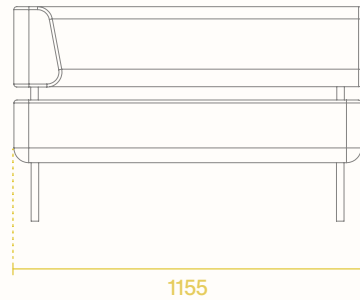
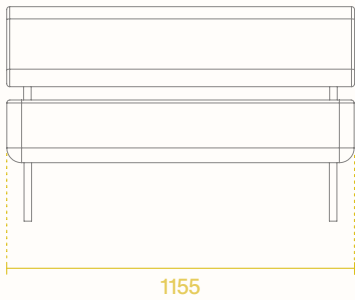
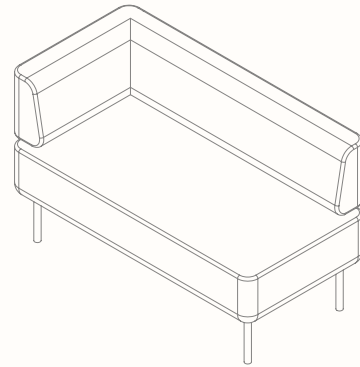
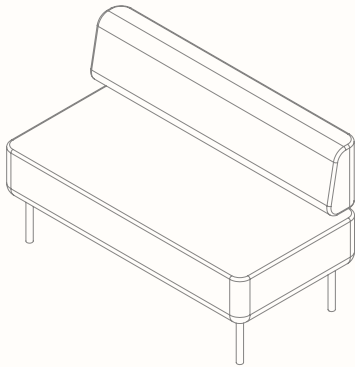
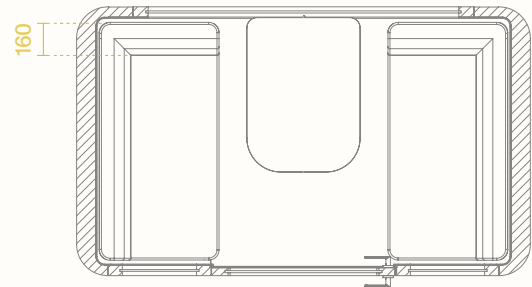
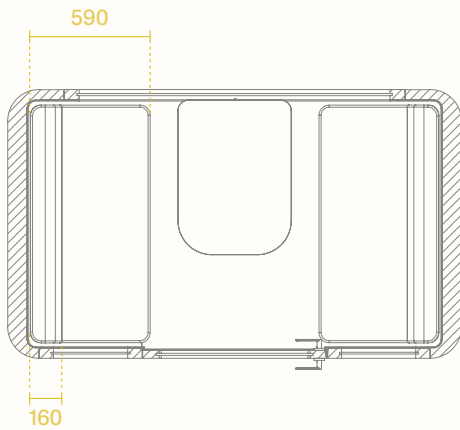
W 1220 x D 640 x H 800 mm

SOFAS WITHOUT ARMREST mm

+/- 3 mm

SOFAS WITH ARMREST mm

+/- 3 mm



Weight of a single sofa: 17 kg

Weight of a single sofa: 23 kg

TECHNICAL SPECIFICATIONS

POWER CONSUMPTION



Standby: 4,5 W
Working: 47 W (fans, LEDs)
CE ✓RoHS 3 m cable



Max. power supply (exc. plugged receivers): 70 W
Power supply voltage: 100 - 240 V AC (50/60Hz)
Supply voltage for ventilation, lighting and addons: 12 - 24 V DC

FANS PERFORMANCE



Airflow: 180 m³/ hour



Fan emitted noise level in L_{Aeq}
Inside ≤ 38 dB
Outside ≤ 36 dB



The level of outside noise measured at a distance of 1.5 meters. The Space series achieves one of the best results on the market.

External fan noise is comparable to one in typical open offices (<45 dB) and will create an acoustic background for employees nearby.

LIGHTING



Power: 24 W
Brightness: 450 lx (2460 lm at source)
Light color temp.: 4000 K



Fans and light activated by occupancy sensor

GLASS PROPERTIES PER EN 410



Light transmission: 87
Light reflection: 8
Solar energy transmittance: 70
Reflection of solar radiation: 7
Total solar energy transmittance: 76

HEALTH AND SUSTAINABILITY COMPLIANCES



Formaldehyde and VOC safe: EU E1 Standard
Quality management system of ISO 9001
Environmental management system of ISO 14001
FSC Certificate No. C161812

STANDARD EQUIPMENT



Ventilation system



LED Light



Occupancy sensor



3 electric sockets¹



Graphite carpet



2 wall hooks max load 5 kg



Sliding tabletop

EQUIPMENT PROPERTIES



Sliding tabletop without height adjustment

18 kg Total weight

700 mm Mounting height



CBS Lima monitor arm with VESA 75 & 100 plate

27" Recommended screen size

6,5 kg Maximum monitor weight

+80°/-10° VESA plate tilt range

OPTIONAL ADD-ONS



2 sofas with/without armrest in Synergy or Remix3 fabric



CBS Lima monitor arm (white/black/silver)



USB A+C port² integrated in the tabletop



Induction charger² integrated in the tabletop



LAN connection³ with 10 m wire



Light and ventilation control panel



Right-handed door opening



Integrated wheels for easy relocation

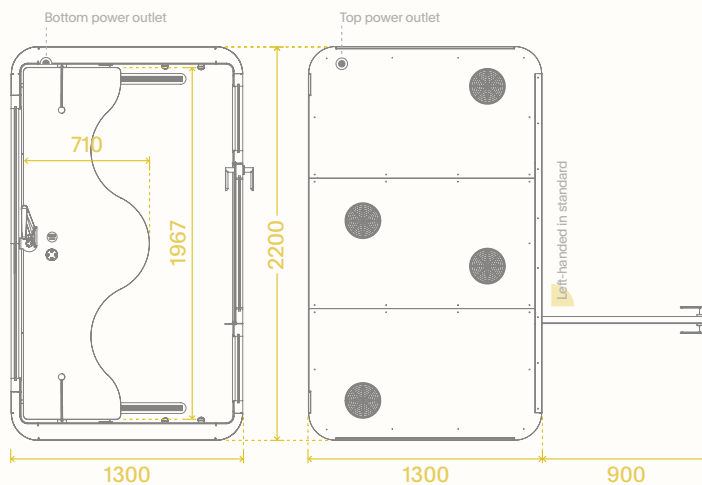
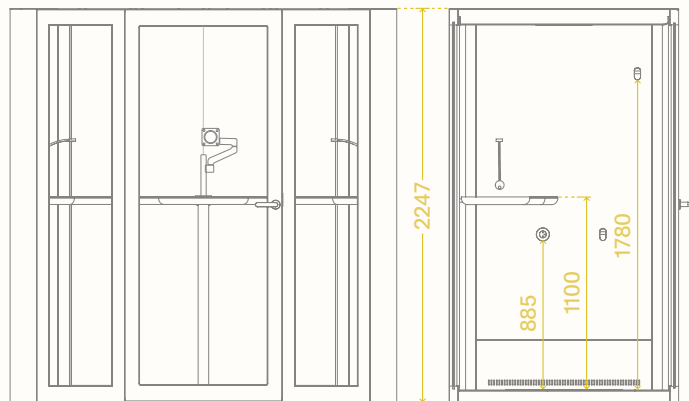
¹ Socket type E is installed as standard. Other electrical type should be requested.

² Electric socket, USB ports and induction charger are available only in black.

³ An optional 10 m LAN cable is set with the power cord and can be led out of the pod's floor (standard) or ceiling (option). Please make a selection while ordering.

SHAPE AND DIMENSIONS mm

+/- 3mm



DIMENSIONS mm

	WIDTH	DEPTH	HEIGHT
External	2200	1300 +900 mm with open door	2247 +2000 mm for ventilation +20 mm for leveling
Internal	2000	1192	2080

WEIGHTS kg

NET	GROSS
695	941 including wooden case and packaging parts

COMPOSITION

The construction of Space L is the effect of work of our acoustics, technology and design departments. Walls of Space L are built from several layers of meticulously chosen materials responsible for one of the highest results of sound isolation and sound absorption inside the pod.

- Absorbing materials
- Felt
- Isolating materials
- Metal covers
- Plywood
- Soundproof glass

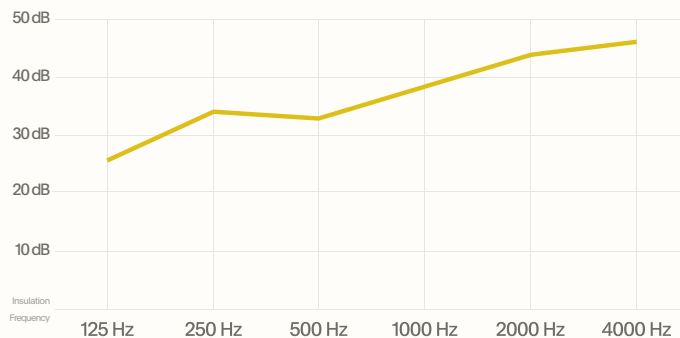
USAGE

- Open space
- Library
- Reception
- Breakout area
- Other public spaces (including railway stations and airports)

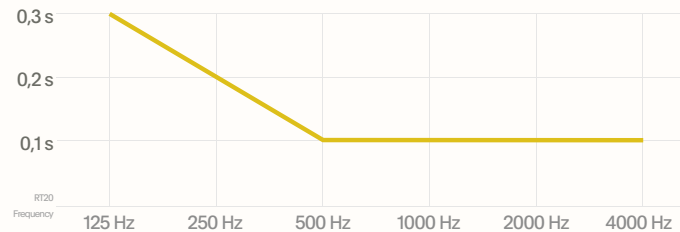
CARE

- Keep the product dry
- Vacuum and clean regularly
- Follow the assembly instructions and terms of use

AVERAGE SOUND INSULATION



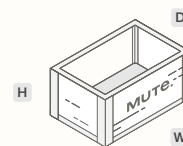
RT20 PERFORMANCE INSIDE PER PN-EN ISO 354:2005



PACKING

- Space L is delivered in two wooden cases, each of following dimensions:

W 2360 x D 885 x H 1345 mm



TECHNICAL SPECIFICATIONS

POWER CONSUMPTION



Standby: 4,5 W
Working: 47 W (fans, LEDs)
CE ✓RoHS 3 m cable



Max. power supply (exc. plugged receivers): 75 W
Power supply voltage: 100 - 240 V AC (50/60Hz)
Supply voltage for ventilation, lighting and addons: 12 - 24 V DC

FANS PERFORMANCE



Airflow: 180 m³/hour



Fan emitted noise level in L_{Aeq}
Inside ≤ 39 dB
Outside ≤ 36 dB



The level of outside noise measured at a distance of 1.5 meters. The Space series achieves one of the best results on the market.

External fan noise is comparable to one in typical open offices (<45 dB) and will create an acoustic background for employees nearby.

STANDARD EQUIPMENT



Ventilation system



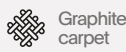
LED Light



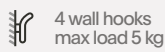
Occupancy sensor



3 electric sockets¹



Graphite carpet



4 wall hooks max load 5 kg



Profiled tabletop

OPTIONAL ADD-ONS



USB A+C port² integrated in the tabletop



Induction charger² integrated in the tabletop



LAN connection³ with 10 m wire



Two flexible lamps² with USB-A port



Light and ventilation control panel



CBS Lima monitor arm (white/black/silver)



Right-handed door opening



Integrated wheels for easy relocation

LIGHTING



Power: 24 W
Brightness: 844 lx (2460 lm at source)
Light color temp.: 4000K



Fans and light activated by occupancy sensor



Wall lamp with 17 W USB-charger
Brightness: 100 lx
Light color temp.: 3000K
Power usage: 1,5 W

GLASS PROPERTIES PER EN 410



Light transmission: 87
Light reflection: 8
Solar energy transmittance: 70
Reflection of solar radiation: 7
Total solar energy transmittance: 76

HEALTH AND SUSTAINABILITY COMPLIANCES



Formaldehyde and VOC safe: EU E1 Standard
Quality management system of ISO 9001
Environmental management system of ISO 14001
FSC Certificate No. C161812

EQUIPMENT PROPERTIES



Profiled tabletop without height adjustment

34 kg Total weight

1100 mm Mounting height



CBS Lima monitor arm with VESA 75 & 100 plate

27" Recommended screen size

6,5 kg Maximum monitor weight

+80°/-10° VESA plate tilt range

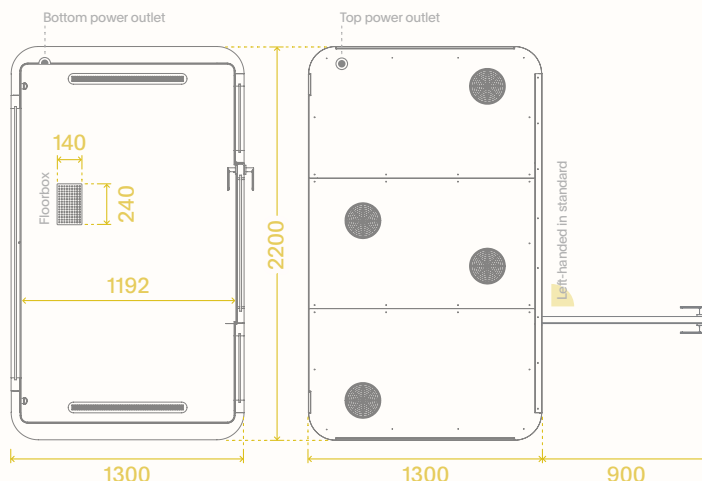
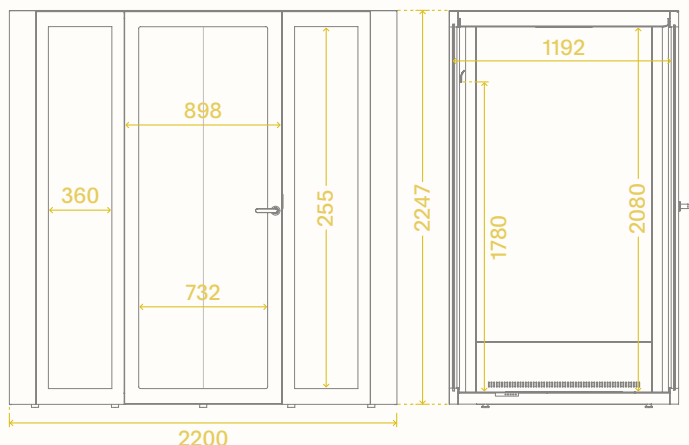
¹ Socket type E is installed as standard. Other electrical type should be requested.

² Electric socket, USB ports, lamp and induction charger are available only in black.

³ An optional 10 m LAN cable is set with the power cord and can be led out of the pod's floor (standard) or ceiling (option). Please make a selection while ordering.

SHAPE AND DIMENSIONS mm

+/- 3mm



DIMENSIONS mm

	WIDTH	DEPTH	HEIGHT
External	2200	1300 +900 mm with open door	2247 +2000 mm for ventilation +20 mm for leveling
Internal	2000	1192	2080

WEIGHTS kg

NET	GROSS
661	907 including wooden case and packaging parts

COMPOSITION

The construction of Space L is the effect of work of our acoustics, technology and design departments. Walls of Space L are built from several layers of meticulously chosen materials responsible for one of the highest results of sound isolation and sound absorption inside the pod.

- Absorbing materials
- Felt
- Isolating materials
- Metal covers
- Plywood
- Soundproof glass

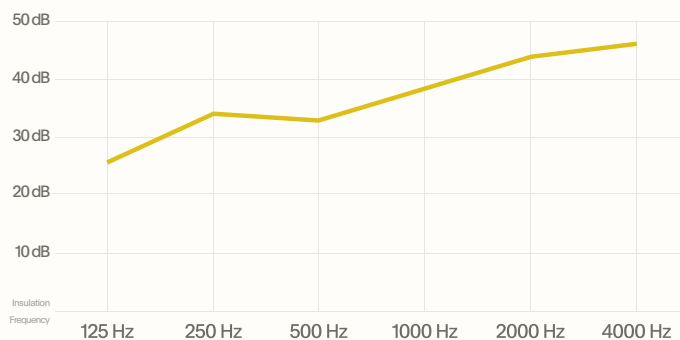
USAGE

- Open space
- Library
- Reception
- Breakout area
- Other public spaces (including railway stations and airports)

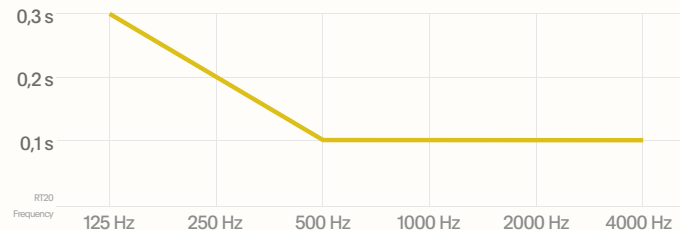
CARE

- Keep the product dry
- Vacuum and clean regularly
- Follow the assembly instructions and terms of use

AVERAGE SOUND INSULATION



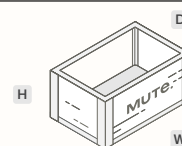
RT20 PERFORMANCE INSIDE PER PN-EN ISO 354:2005



PACKING

• Space L is delivered in two wooden cases, each of following dimensions:

W 2360 x D 885 x H 1345 mm



TECHNICAL SPECIFICATIONS

POWER CONSUMPTION



Standby: 4,5 W
Working: 47 W (fans, LEDs)
CE ✓RoHS 3 m cable



Max. power supply (exc. plugged receivers): 70 W
Power supply voltage: 100 - 240 V AC (50/60Hz)
Supply voltage for ventilation, lighting and addons: 12 - 24 V DC

FANS PERFORMANCE



Airflow: 180 m³/ hour



Fan emitted noise level in L_{Aeq}
Inside ≤ 38 dB
Outside ≤ 36 dB



The level of outside noise measured at a distance of 1.5 meters. The Space series achieves one of the best results on the market.

External fan noise is comparable to one in typical open offices (<45 dB) and will create an acoustic background for employees nearby.

LIGHTING



Power: 24 W
Brightness: 450 lx (2460 lm at source)
Light color temp.: 4000K



Fans and light activated by occupancy sensor

GLASS PROPERTIES PER EN 410



Light transmission: 87
Light reflection: 8
Solar energy transmittance: 70
Reflection of solar radiation: 7
Total solar energy transmittance: 76

HEALTH AND SUSTAINABILITY COMPLIANCES



Formaldehyde and VOC safe: EU E1 Standard
Quality management system of ISO 9001
Environmental management system of ISO 14001
FSC Certificate No. C161812

STANDARD EQUIPMENT



Ventilation system



LED Light



Occupancy sensor



3 electric sockets in the floorbox¹



Graphite carpet



2 wall hooks max load 5 kg

OPTIONAL ADD-ONS



USB A+C port in the floorbox²



LAN connection³ with 10 m wire



Right-handed door opening



Integrated wheels for easy relocation



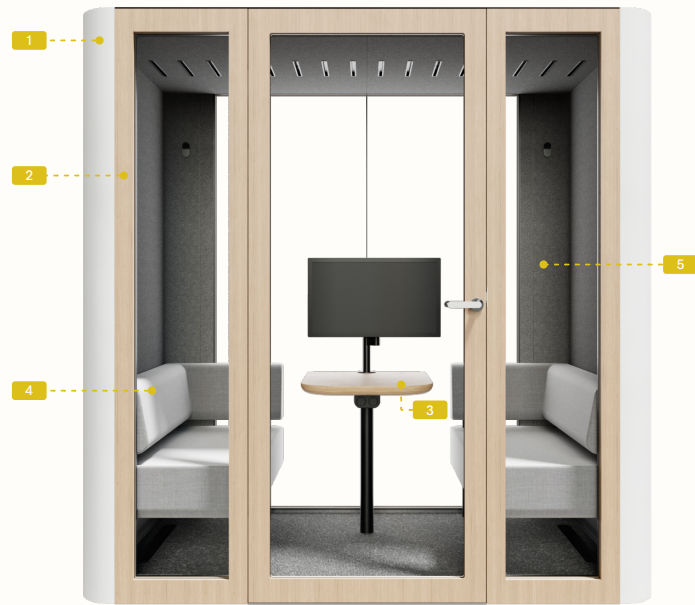
Light and ventilation control panel

¹ Socket type E is installed as standard. Other electrical type should be requested.

² Electric socket and USB ports are available only in black.

³ An optional 10 m LAN cable is set with the power cord and can be led out of the pod's floor (standard) or ceiling (option). Please make a selection while ordering.

FINISHES



1 EXTERNAL WALLS AND ROOF PAINT COLOURS

STANDARD		Snow White Ultra Matt RAL 9003	
		Powder Grey Ultra Matt RAL 7035	
EXTRA		Pepper Grey Ultra Matt RAL 7012	
		Ceramic Red Ultra Matt NCS S 4050-Y70R	
		St. Tropez Yellow Ultra Matt RAL 1018	
		Custom colour From RAL palette	

2 EXTERNAL FRAME LAMINATES & VENEERS

STANDARD		Snow White NCS S 0500-N	
		Powder Grey NCS S 1502-G	
EXTRA		Dusk Blue NCS S 4010-B50G	
		Whiteboard White Glossy 9417-HW	
		Maple Wood	

3 INTERNAL TABLETOP LAMINATES & VENEERS

STANDARD		Snow White NCS S 0500-N	
		Powder Grey NCS 1502-G	
EXTRA		Dusk Blue NCS S 4010-B50G	
		Grey Premium Anti-fingerprint 0725	
		Maple Wood	

4 INTERNAL OPTIONAL SOFA FABRIC FOR MEETING

KVADRATREMIK 3				
CAMBRASYNERGY				

5 INTERNAL FELT LININGS

	Beige		Grey
	Dark Grey		



Inspire. Create. Deliver.