

Modular | MUTE.

# Book of rooms

09/24 | EN



# Contents

|                             |           |
|-----------------------------|-----------|
| Intro                       | 02        |
| <b>Intro</b>                | <b>02</b> |
| <b>Rooms</b>                | <b>05</b> |
| Work                        | 06        |
| Meet                        | 14        |
| Lounge                      | 21        |
| Support                     | 21        |
| <b>Multifunctional hubs</b> | <b>26</b> |

# Good to know

Mute Modular is an adaptable room-in-room system that makes arranging flexible and comfortable workspaces easier than ever.

With its prefabricated modules and a wide selection of dedicated furniture, the system offers countless options for arrangement. Yet, to make designing easier and to inspire you, we created dozens fully equipped, ready-to-use units. They are all designed by experienced architects and based on actual floor plans to ensure optimal ergonomics. Still, you can customize every unit to fit your needs and vision.

# Functions

Our selection of units represents 4 main office functions: Work, Meet, Lounge, and Support. Each unit can be placed separately or combined with others to create multifunctional work hubs. The patented click-in system makes assembly easy and quick.



## Work

13 ready-to-use workstations for sitting and standing; personal spaces or hot desks

## Meet

14 ready-to-use meeting spaces with wall-mounted shelves and cabinets

## Lounge

9 configurations for chill out areas that prioritize comfort and relaxation

## Support

7 complementary rooms, essential to office management, incl. cloakroom and copy point

# Rooms



# Modular | MUTE.

## Name Work 1,5x1 p1.v1.C

Function  
Work

Modular size  
1,5x1

Capacity  
1 person

Type  
Closed

### Dimensions (W × L × H)

Exterior 1655 × 1150 × 2400 mm  
65.16 × 45.28 × 94.49 in.  
Interior 1515 × 1010 × 2250 mm  
59.65 × 39.76 × 88.58 in.

### Description

This room for collaborative work provides space and calm for one person. It's equipped with dedicated furniture and accessories, finished with third-party fit-outs.

It is a part of Modular Work set – areas designed purposefully to offer comfort and privacy for the individual, focused work, or small collaborative sessions.

### Colors



### Construction

|    |                                       |
|----|---------------------------------------|
| 3x | solid wall module 1010 mm / 39.76 in. |
| 1x | solid wall module 505 mm / 19.88 in.  |
| 1x | glass wall module 505 mm / 19.88 in.  |
| 1x | left-hand glass door                  |
| 1x | ceiling module                        |
| 1x | ventilation ceiling module            |
| 1x | modular electric socket               |
| 1x | control panel                         |
| 1x | occupancy sensor                      |
| √  | integrated linear lamp                |

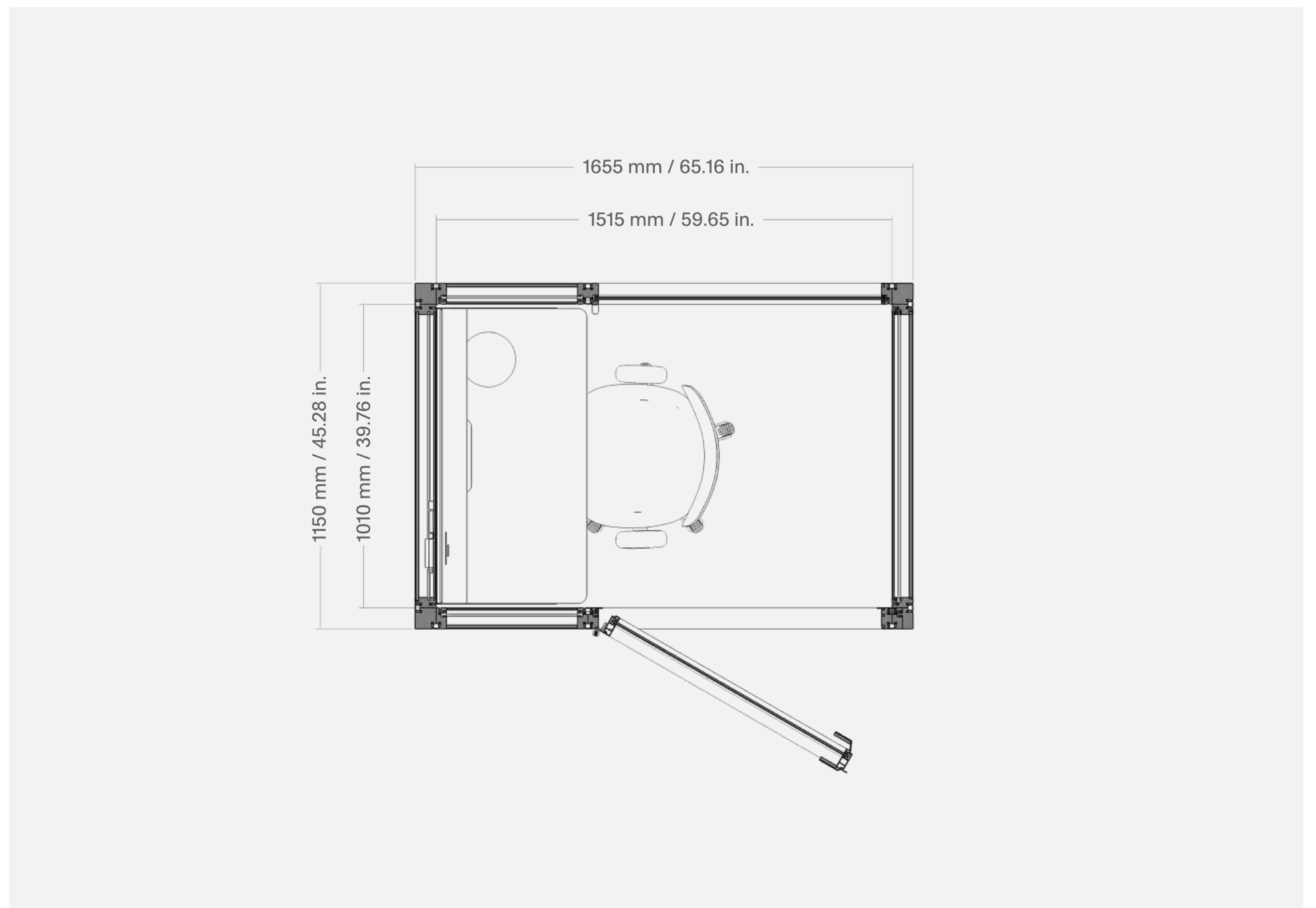
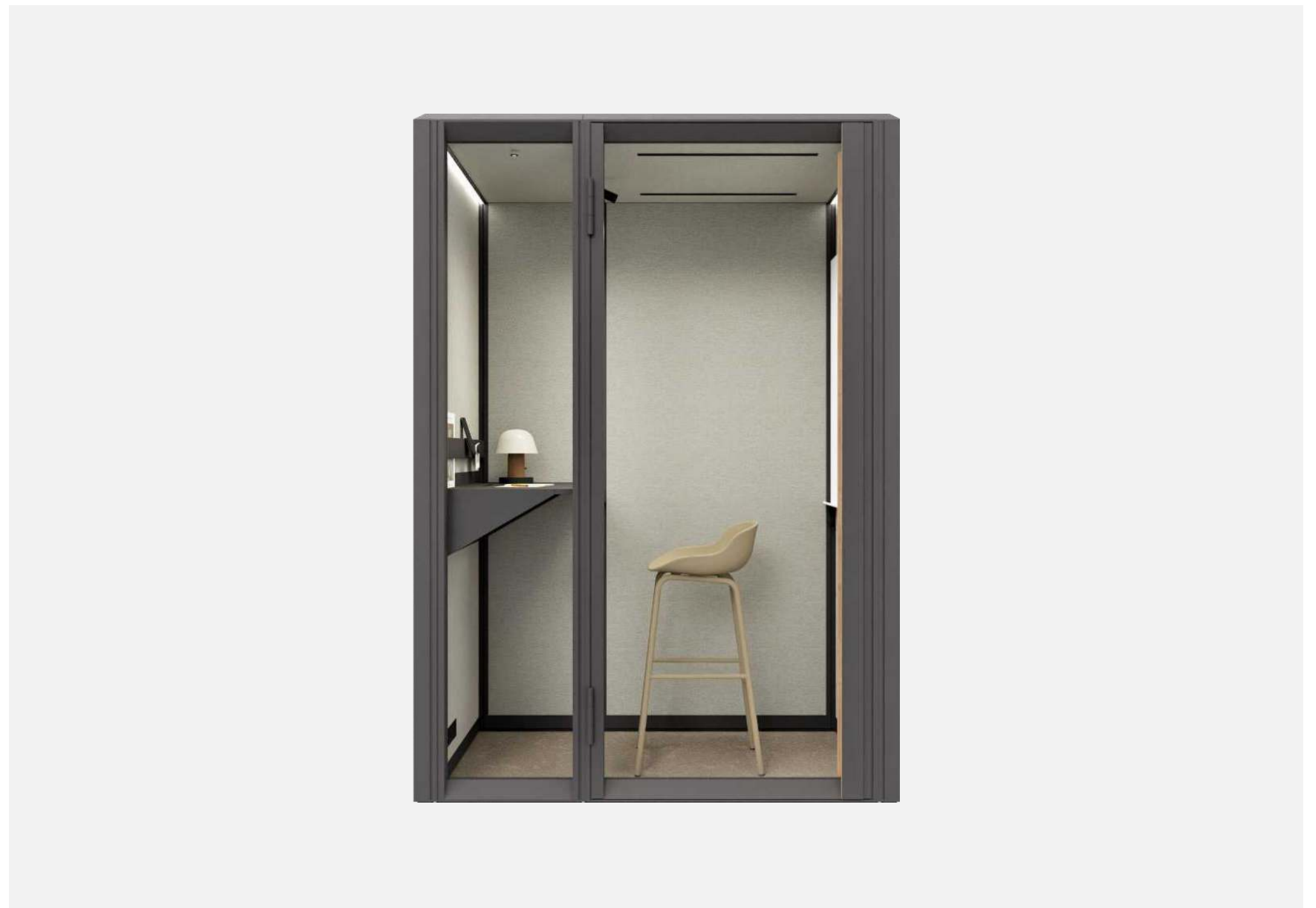
### System furniture and accessories

|    |               |
|----|---------------|
| 1x | shallow shelf |
| 1x | desk          |
| 1x | whiteboard    |
| 1x | display rail  |
| 4x | magnet        |
| 2x | wall hook     |

### Third party fit-out

Listed products are purely exemplary and are not sold by Mute.

|    |                    |
|----|--------------------|
| 1x | chair by Håg       |
| 1x | lamp by &Tradition |



Interested in this unit?

[Ask for an offer →](#)

Need more options?

[See all rooms →](#)



Rooms like the one specified in this card can be combined into multifunctional hubs.

Elements of the Modular system may change.

Specification of the product will be verified while preparing an offer and may also be modified on the client's request.

# Modular | MUTE.

## Name Work 2x1 p1.v2.O

Function  
Work

Modular size  
2x1

Capacity  
1 person

Type  
Open

### Dimensions (W × L × H)

Exterior 2160 × 1150 × 2400 mm  
85.04 × 45.28 × 94.49 in.  
Interior 2020 × 1010 × 2250 mm  
79.53 × 39.76 × 88.58 in.

### Description

This room for collaborative work provides space and calm for one person. It's equipped with dedicated furniture and accessories, finished with third-party fit-outs.

It is a part of Modular Work set – areas designed purposefully to offer comfort and privacy for the individual, focused work, or small collaborative sessions.

### Colors



### Construction

Also available without electricity

|    |   |
|----|---|
| 4x | solid wall module 1010 mm / 39.76 in.   |
| 1x | slatted wall module 1010 mm / 39.76 in. |
| 2x | ceiling module                          |
| 1x | modular electric socket                 |
| 1x | control panel                           |
| ✓  | integrated linear lamp                  |
| ✓  | overhanging ceiling profile             |

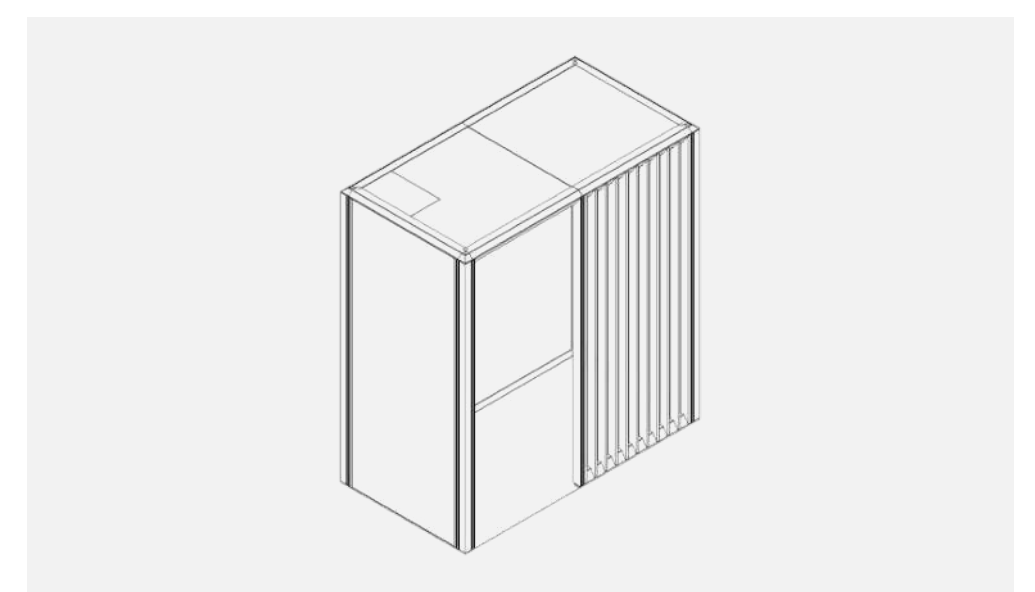
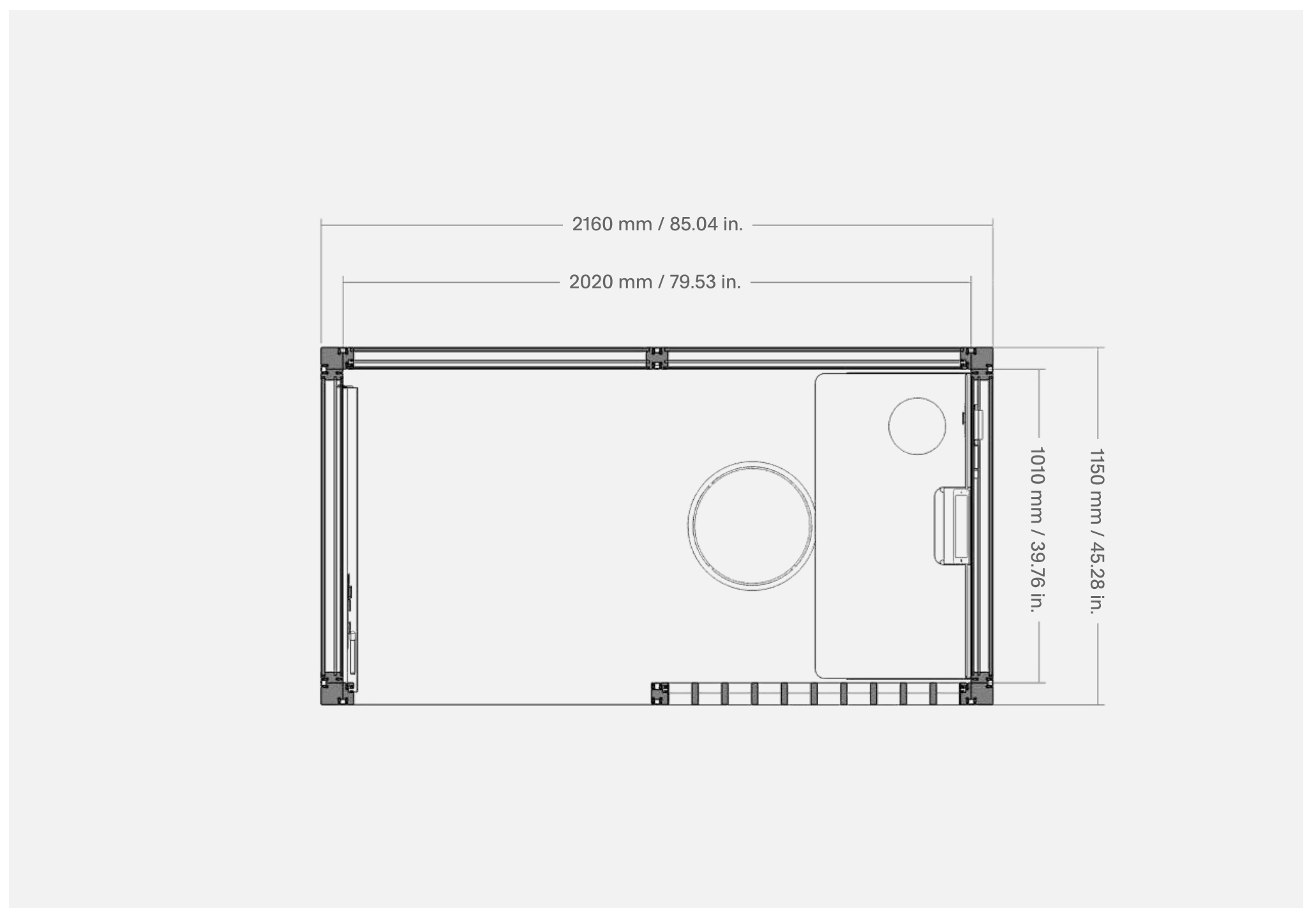
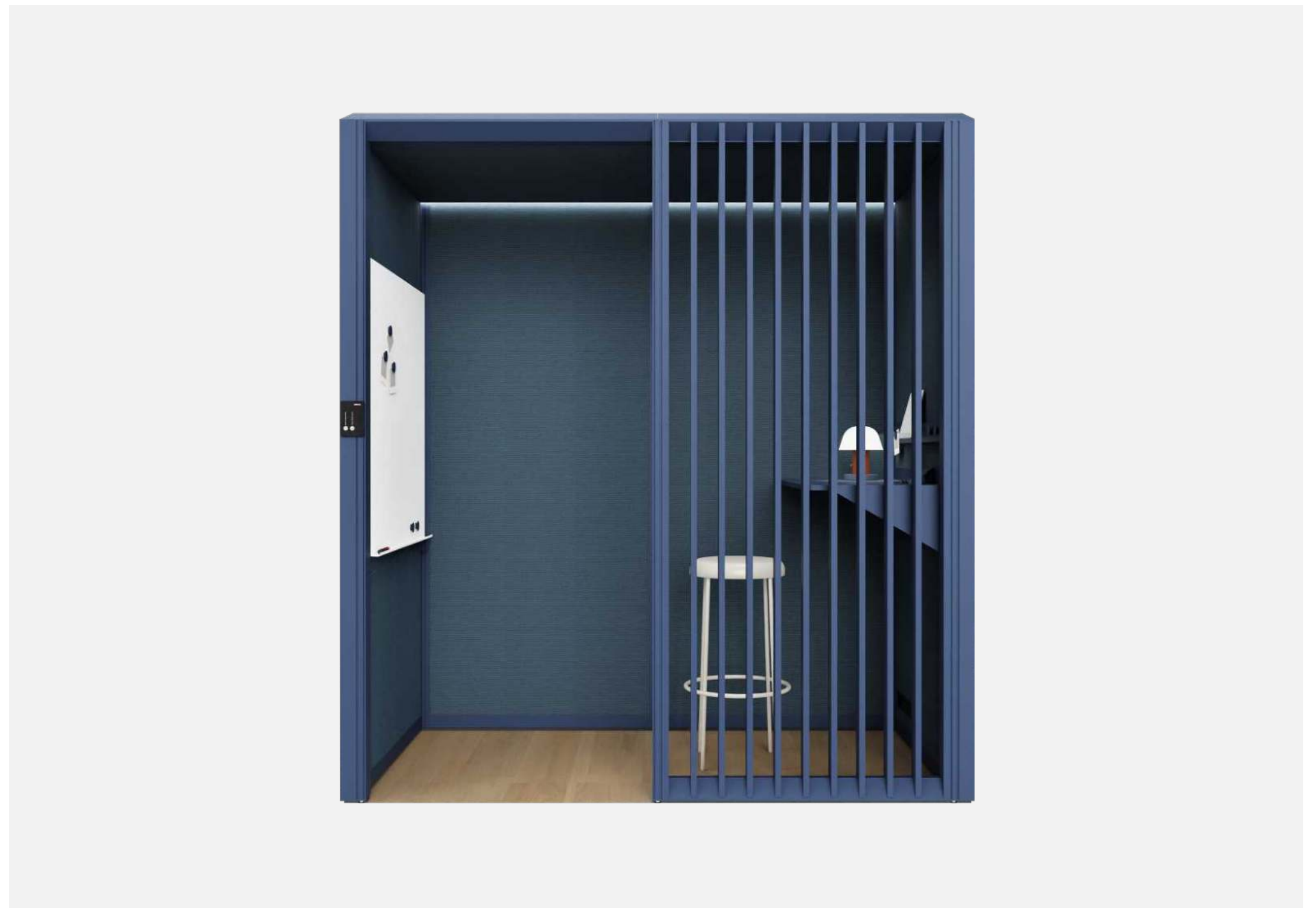
### System furniture and accessories

|    |              |
|----|--------------|
| 1x | desk         |
| 1x | whiteboard   |
| 1x | display rail |
| 1x | phone holder |
| 4x | magnet       |
| 2x | wall hook    |

### Third party fit-out

Listed products are purely exemplary and are not sold by Mute.

|    |                    |
|----|--------------------|
| 1x | stool by Mitab     |
| 1x | lamp by &Tradition |



Interested in this unit?

[Ask for an offer →](#)

Need more options?

[See all rooms →](#)



Rooms like the one specified in this card can be combined into multifunctional hubs.

Elements of the Modular system may change.

Specification of the product will be verified while preparing an offer and may also be modified on the client's request.



# Modular | MUTE.

Name

## Work 2x1 p1.v1.C

Function

Work

Modular size

2x1

Capacity

1 person

Type

Closed

### Dimensions (W × L × H)

|          |                           |
|----------|---------------------------|
| Exterior | 2160 × 1150 × 2400 mm     |
|          | 85.04 × 45.28 × 94.49 in. |
| Interior | 2020 × 1010 × 2250 mm     |
|          | 79.53 × 39.76 × 88.58 in. |

### Description

This room for individual work provides space and calm for one person. It's equipped with dedicated furniture and accessories, finished with third-party fit-outs.

It is a part of Modular Work set – areas designed purposefully to offer comfort and privacy for the individual, focused work, or small collaborative sessions.

### Colors



### Construction

|    |                                       |
|----|---------------------------------------|
| 4x | solid wall module 1010 mm / 39.76 in. |
| 1x | glass wall module 1010 mm / 39.76 in. |
| 1x | left-hand glass door                  |
| 1x | ceiling module                        |
| 1x | ventilation ceiling module            |
| 1x | modular electric socket               |
| 1x | occupancy sensor                      |
| 1x | control panel                         |
| ✓  | integrated linear lamp                |

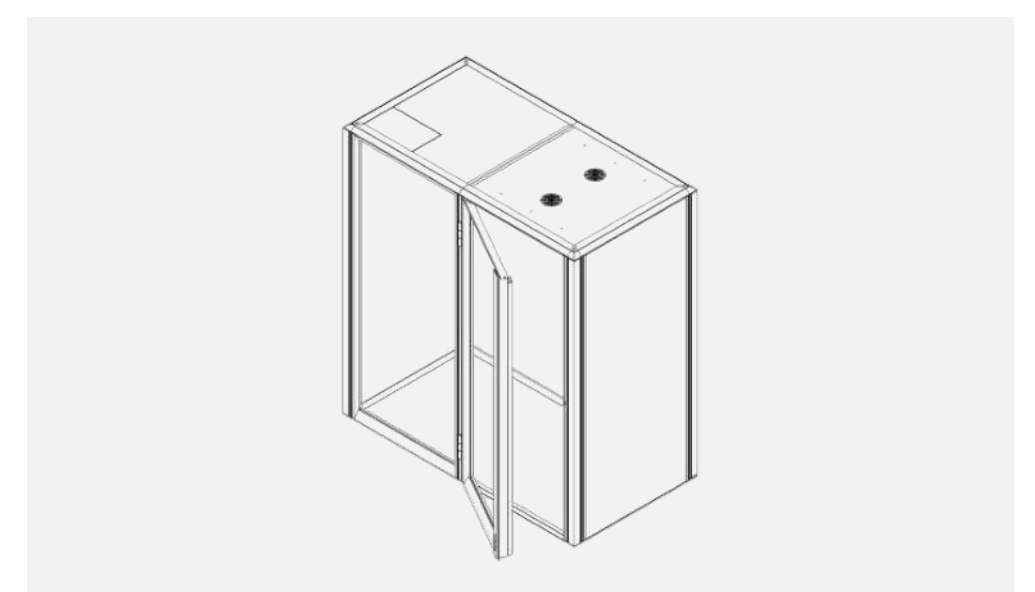
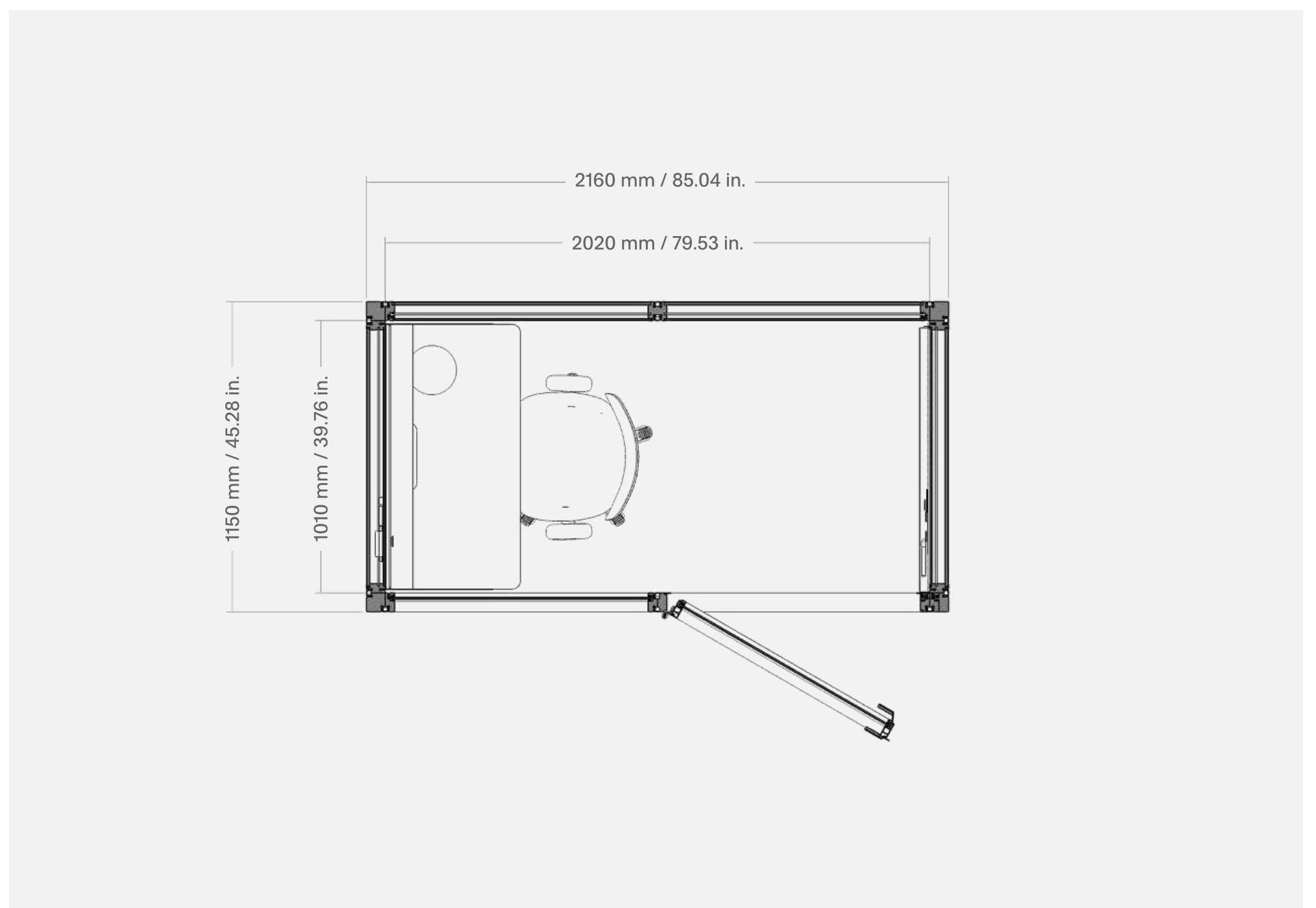
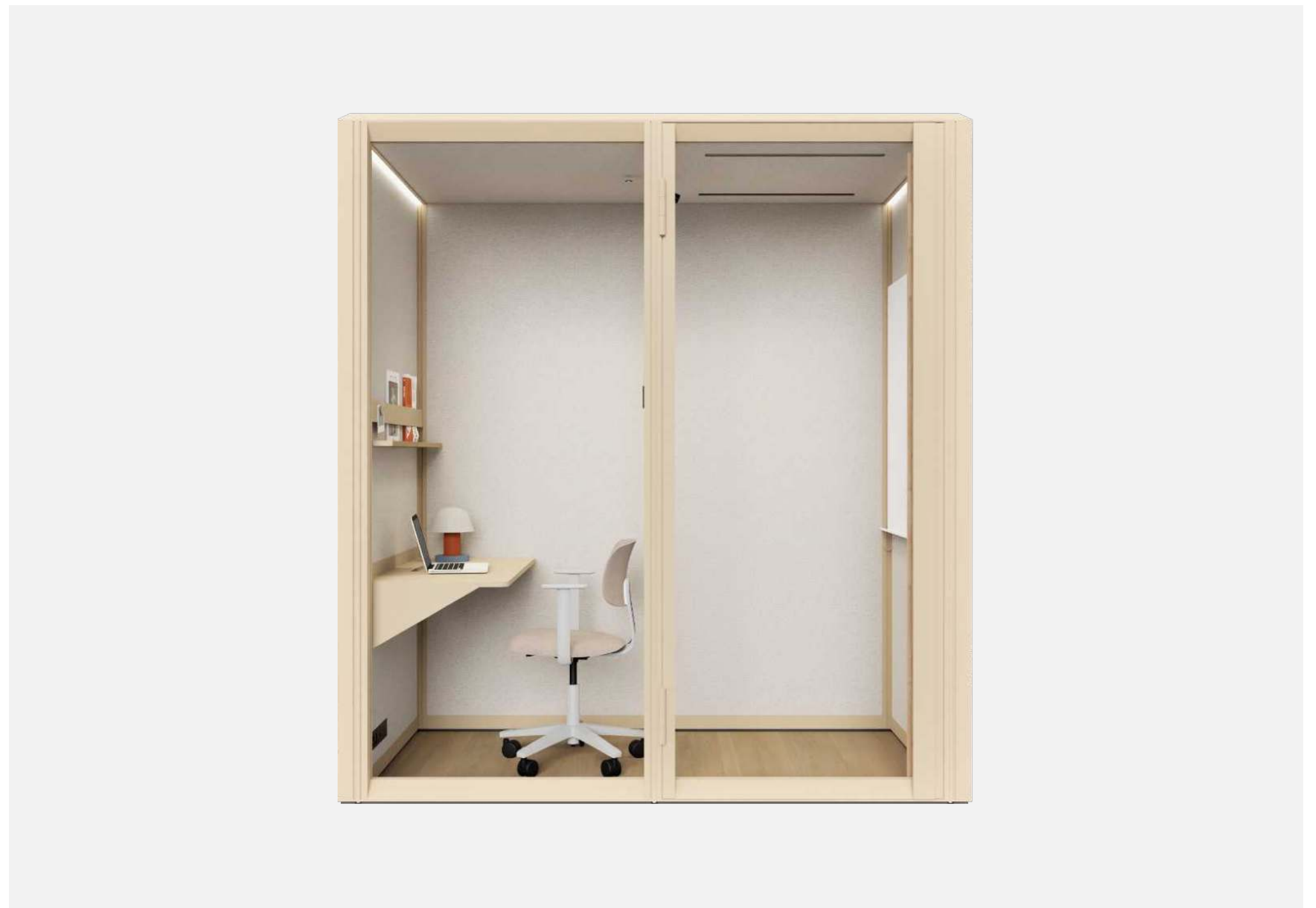
### System furniture and accessories

|    |               |
|----|---------------|
| 1x | shallow shelf |
| 1x | desk          |
| 1x | display rail  |
| 2x | wall hook     |
| 1x | whiteboard    |
| 4x | magnet        |

### Third party fit-out

Listed products are purely exemplary and are not sold by Mute.

|    |                    |
|----|--------------------|
| 1x | chair by Håg       |
| 1x | lamp by &Tradition |



Interested in this unit?

[Ask for an offer →](#)

Need more options?

[See all rooms →](#)



Rooms like the one specified in this card can be combined into multifunctional hubs.

Elements of the Modular system may change.

Specification of the product will be verified while preparing an offer and may also be modified on the client's request.

# Modular | MUTE.

Name  
**Work 2x1 p2.v1.O**

Function  
**Work**

Modular size  
**2x1**

Capacity  
**2 people**

Type  
**Open**

## Dimensions (W x L x H)

Exterior 2160 x 1150 x 2400 mm  
85.04 x 45.28 x 94.49 in.  
Interior 2020 x 1010 x 2250 mm  
79.53 x 39.76 x 88.58 in.

## Description

This room for collaborative work provides space and calm for two people. It's equipped with dedicated furniture and accessories, finished with third-party fit-outs.

It is a part of Modular Work set – areas designed purposefully to offer comfort and privacy for the individual, focused work, or small collaborative sessions.

## Colors



## Construction

Also available without electricity

|    |                                       |
|----|---------------------------------------|
| 4x | solid wall module 1010 mm / 39.76 in. |
| 2x | ceiling module                        |
| 2x | modular electric socket               |
| 1x | control panel                         |
| ✓  | integrated linear lamp                |
| ✓  | overhanging ceiling profile           |

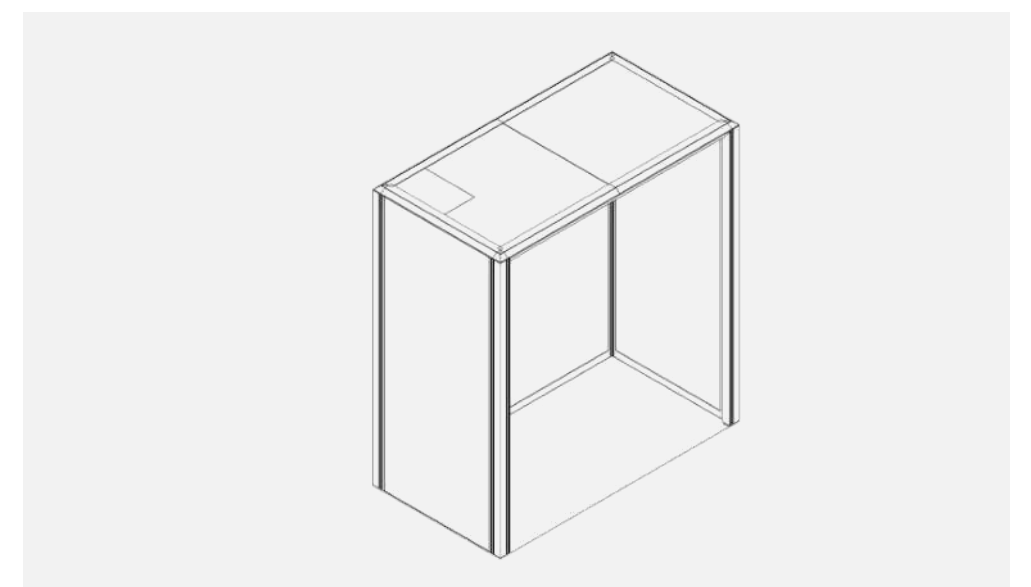
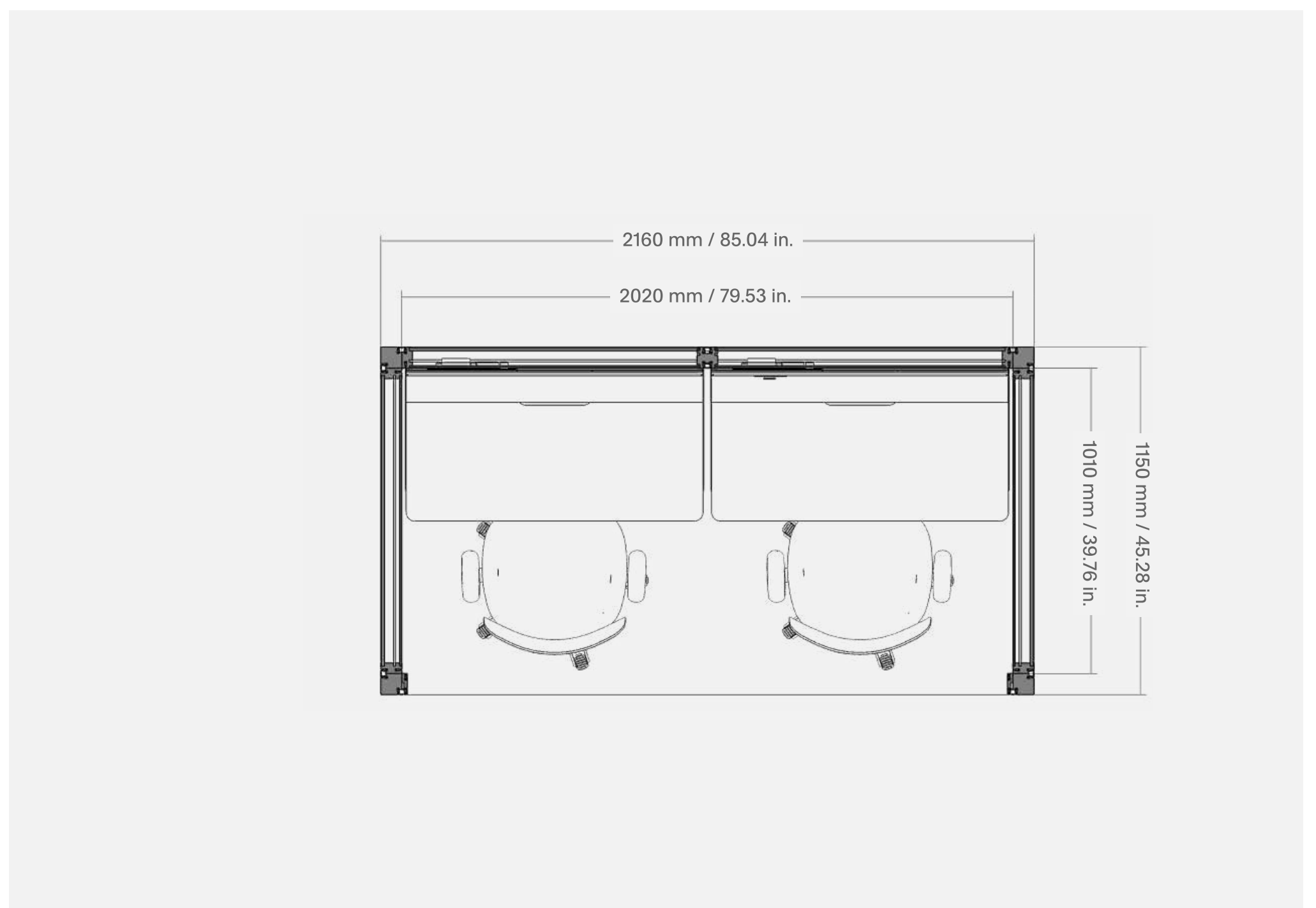
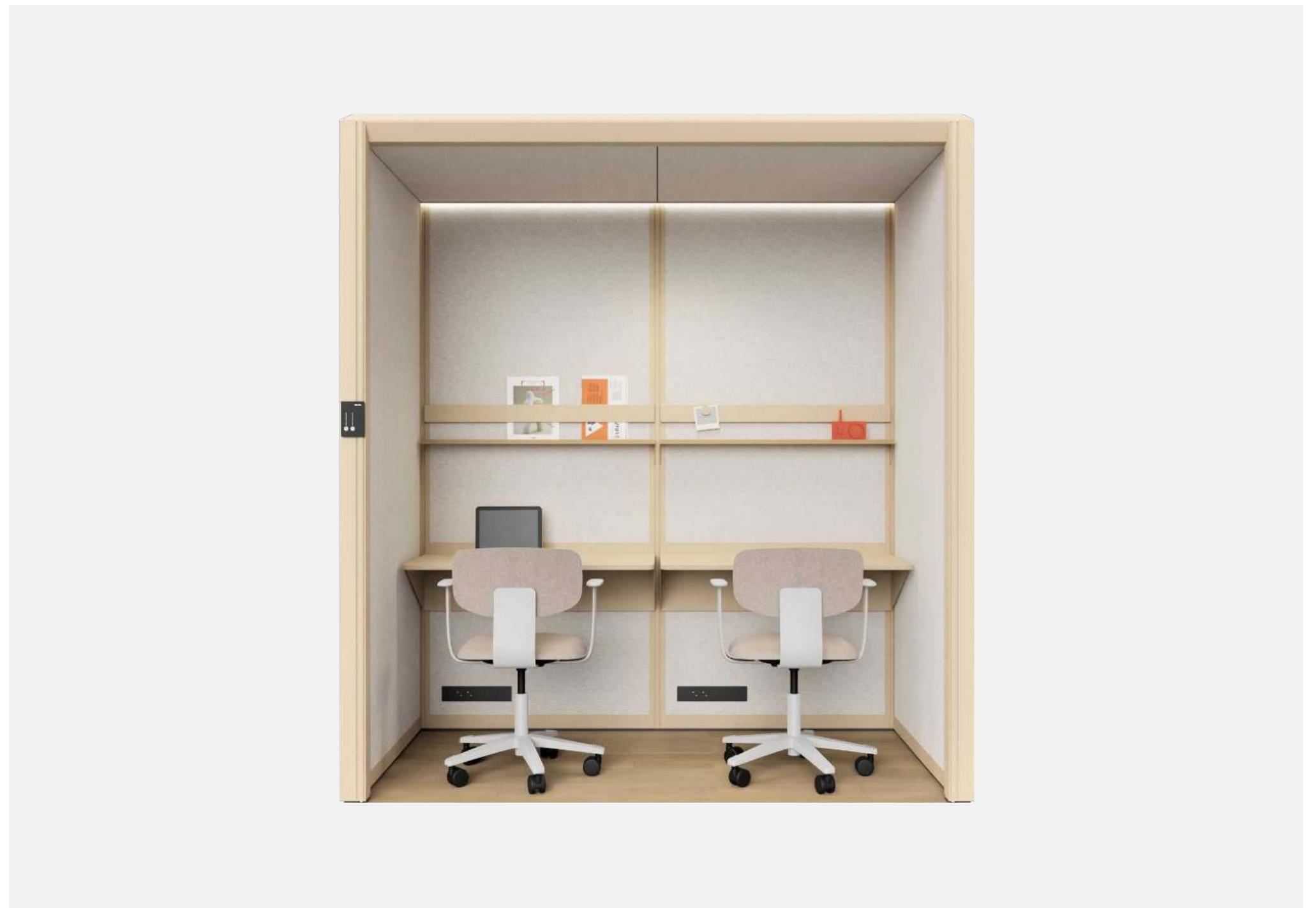
## System furniture and accessories

|    |               |
|----|---------------|
| 2x | shallow shelf |
| 2x | desk          |
| 2x | display rail  |
| 2x | magnet        |
| 2x | wall hook     |

## Third party fit-out

Listed products are purely exemplary and are not sold by Mute.

|    |              |
|----|--------------|
| 2x | chair by Håg |
|----|--------------|



Interested in this unit?

[Ask for an offer →](#)

Need more options?

[See all rooms →](#)



Rooms like the one specified in this card can be combined into multifunctional hubs.

Elements of the Modular system may change.

Specification of the product will be verified while preparing an offer and may also be modified on the client's request.

# Modular | MUTE.

Name  
**Work 2x1 p2.v2.0**

Function  
**Work**

Modular size  
**2x1**

Capacity  
**2 people**

Type  
**Open**

## Dimensions (W × L × H)

Exterior 2160 × 1150 × 2400 mm  
85.04 × 45.28 × 94.49 in.  
Interior 2020 × 1010 × 2250 mm  
79.53 × 39.76 × 88.58 in.

## Description

This room for collaborative work provides space and calm for two people. It's equipped with dedicated furniture and accessories, finished with third-party fit-outs.

It is a part of Modular Work set – areas designed purposefully to offer comfort and privacy for the individual, focused work, or small collaborative sessions.

## Colors



## Construction

|    |                                       |
|----|---------------------------------------|
| 4x | solid wall module 1010 mm / 39.76 in. |
| 2x | ceiling module                        |
| 2x | modular electric socket               |
| 1x | control panel                         |
| ✓  | integrated linear lamp                |
| ✓  | overhanging ceiling profile           |

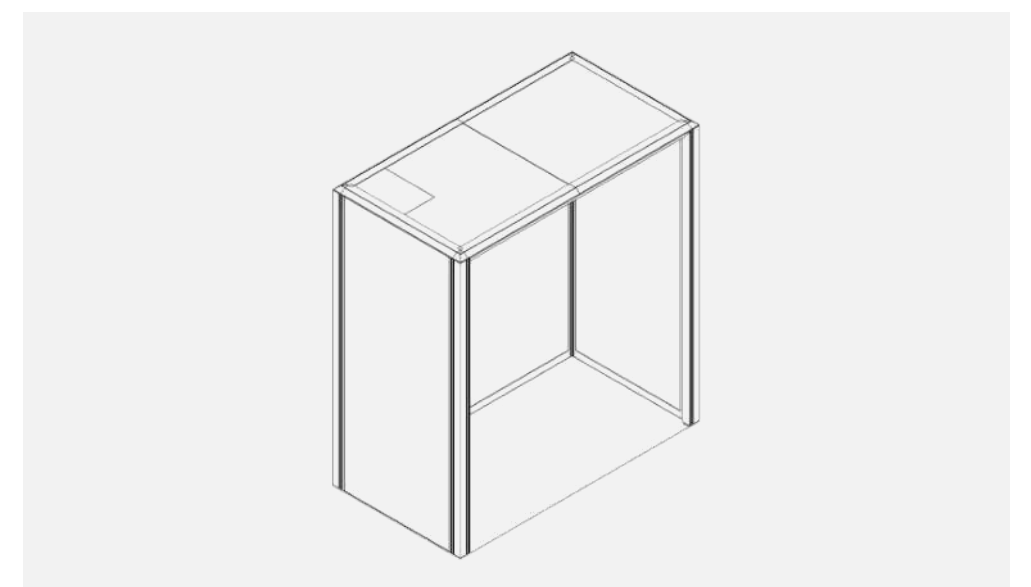
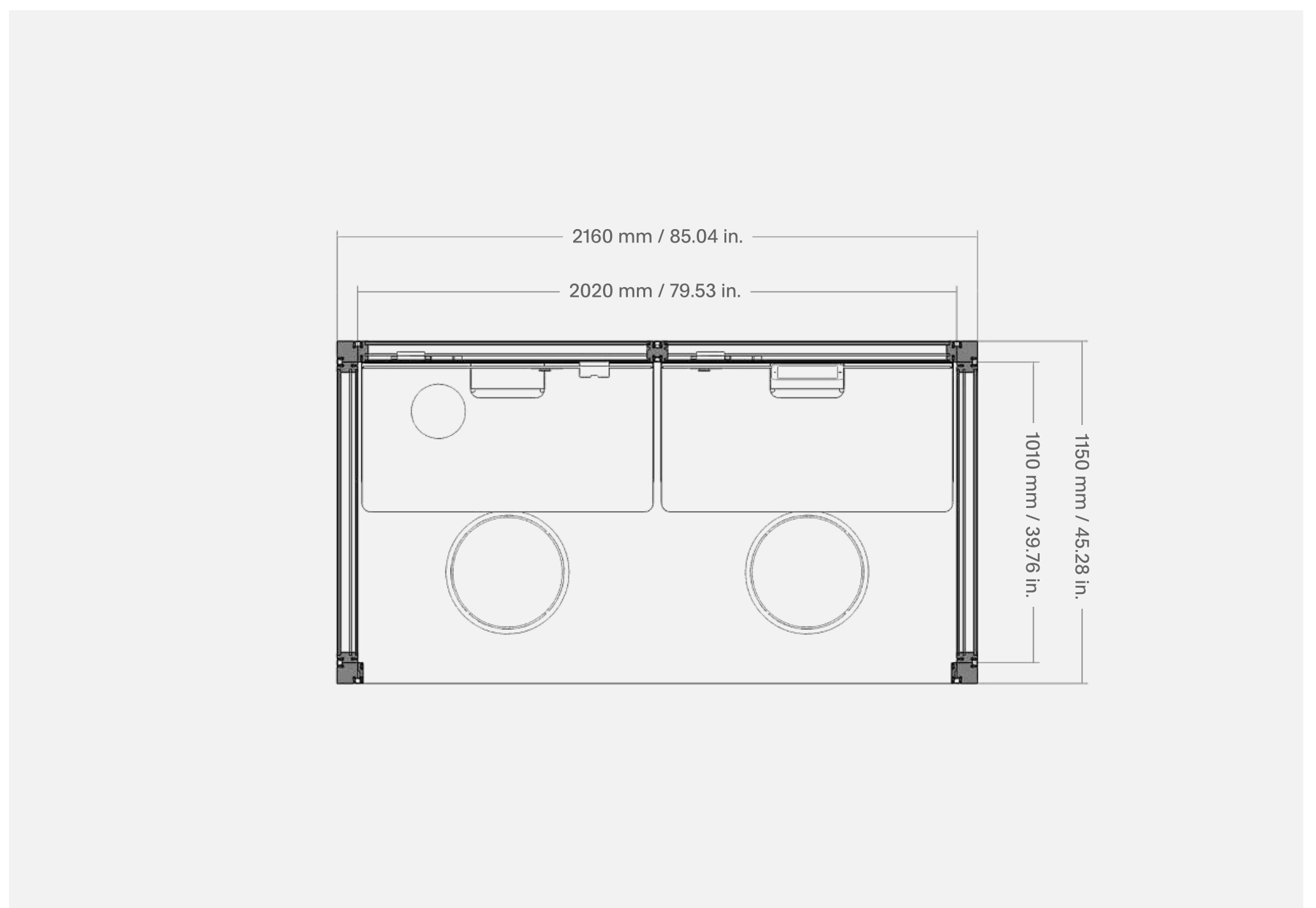
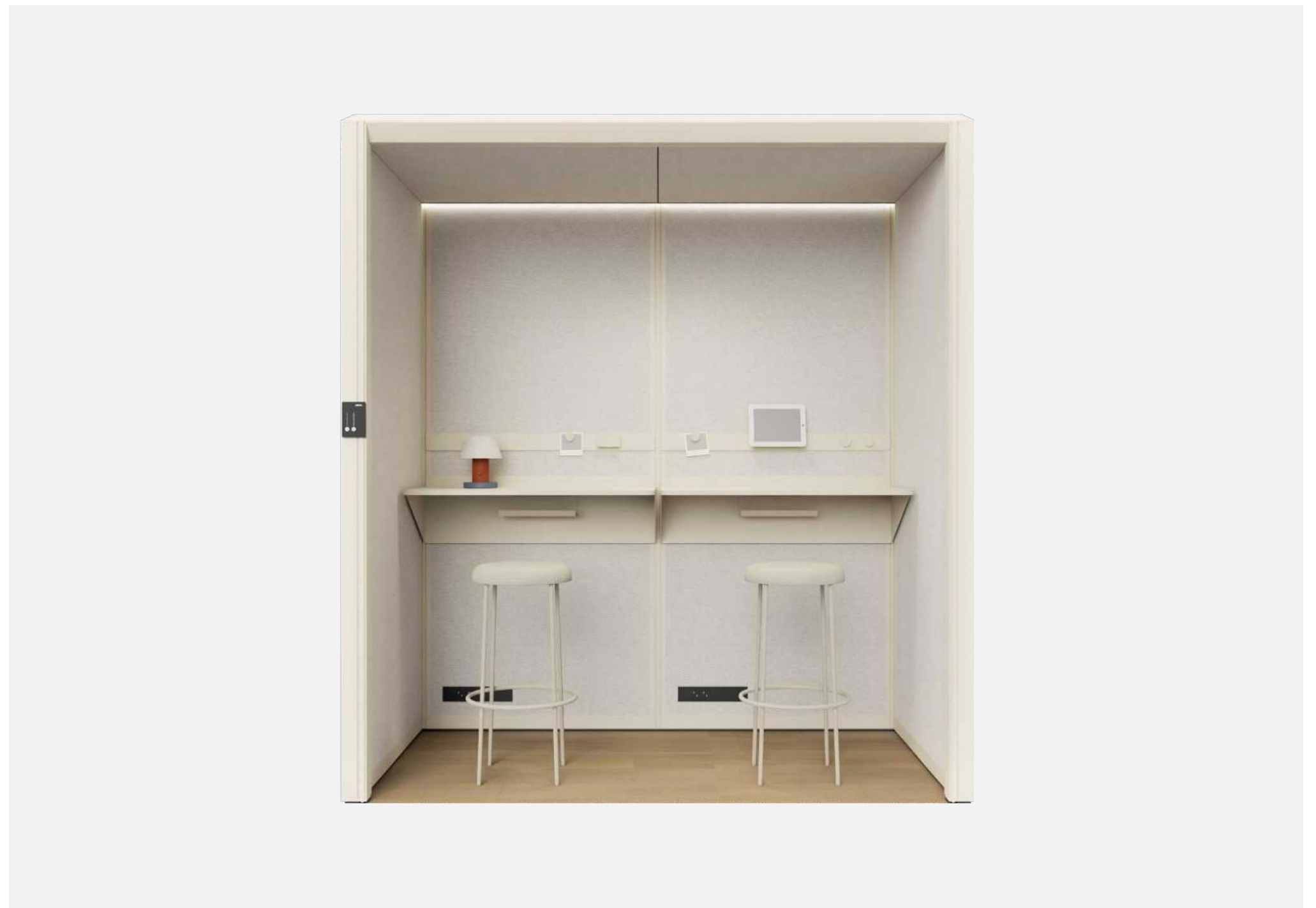
## System furniture and accessories

|    |              |
|----|--------------|
| 2x | desk         |
| 2x | display rail |
| 2x | magnet       |
| 2x | wall hook    |
| 2x | phone holder |

## Third party fit-out

Listed products are purely exemplary and are not sold by Mute.

|    |                    |
|----|--------------------|
| 2x | stool by Mitab     |
| 1x | lamp by &Tradition |



Interested in this unit?

[Ask for an offer →](#)

Need more options?

[See all rooms →](#)



Rooms like the one specified in this card can be combined into multifunctional hubs.

Elements of the Modular system may change.

Specification of the product will be verified while preparing an offer and may also be modified on the client's request.

# Modular | MUTE.

Name  
**Work 2x2 p2.v2.O**

Function  
**Work**

Modular size  
**2x2**

Capacity  
**2 people**

Type  
**Open**

## Dimensions (W × L × H)

Exterior 2160 × 2160 × 2400 mm  
85.04 × 85.04 × 94.49 in.  
Interior 2020 × 2020 × 2250 mm  
79.53 × 79.53 × 88.58 in.

## Description

This room for collaborative work provides space and calm for two people. It's equipped with dedicated furniture and accessories, finished with third-party fit-outs.

It is a part of Modular Work set – areas designed purposefully to offer comfort and privacy for the individual, focused work, or small collaborative sessions.

## Colors



## Construction

|    |   |
|----|---|
| 4x | solid wall module 1010 mm / 39.76 in.   |
| 2x | slatted wall module 1010 mm / 39.76 in. |
| 4x | ceiling module                          |
| 2x | modular electric socket                 |
| 1x | control panel                           |
| 2x | Flask track lighting                    |
| ✓  | integrated linear lamp                  |
| ✓  | overhanging ceiling profile             |

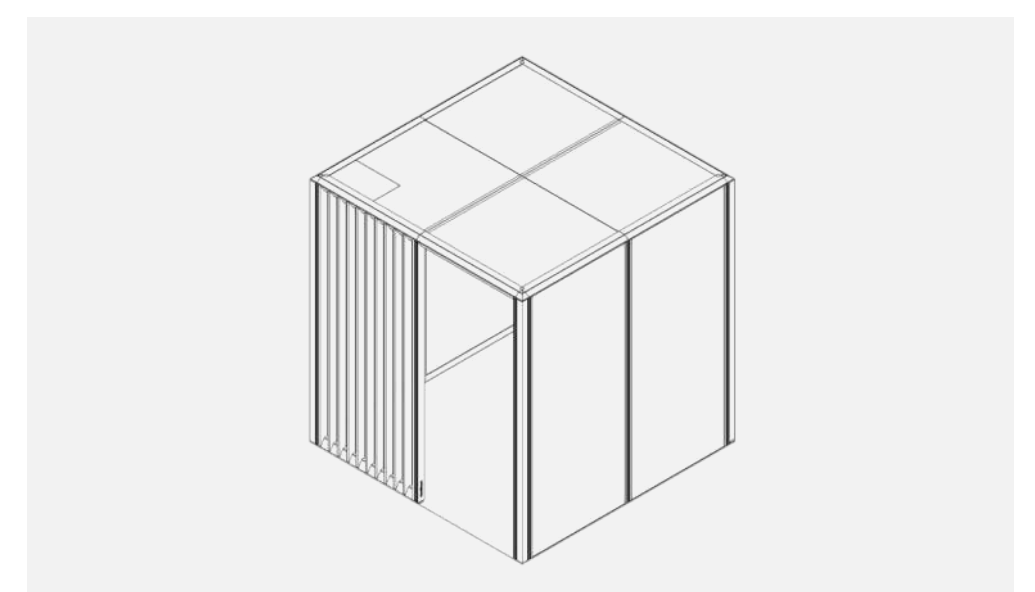
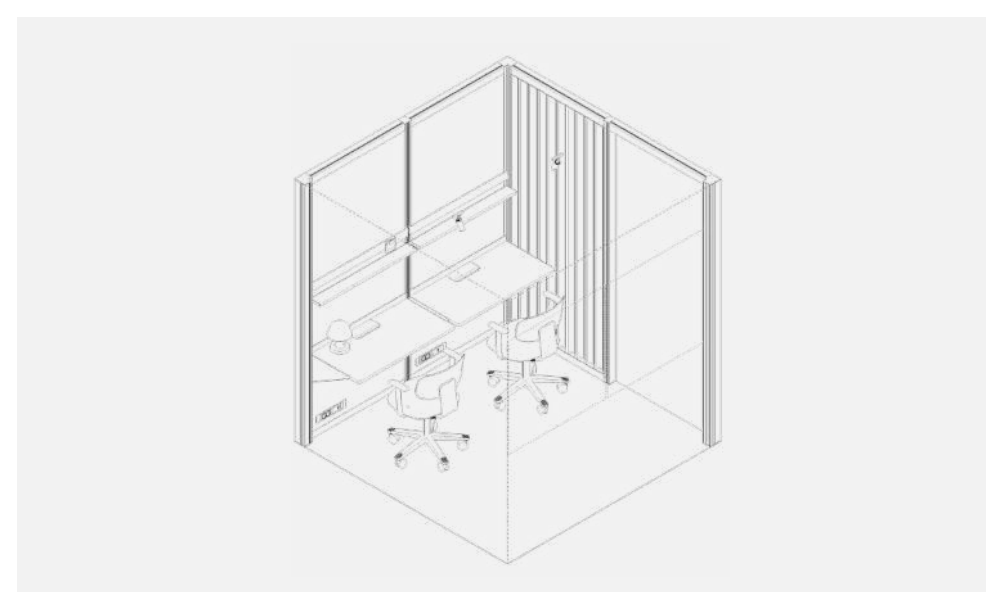
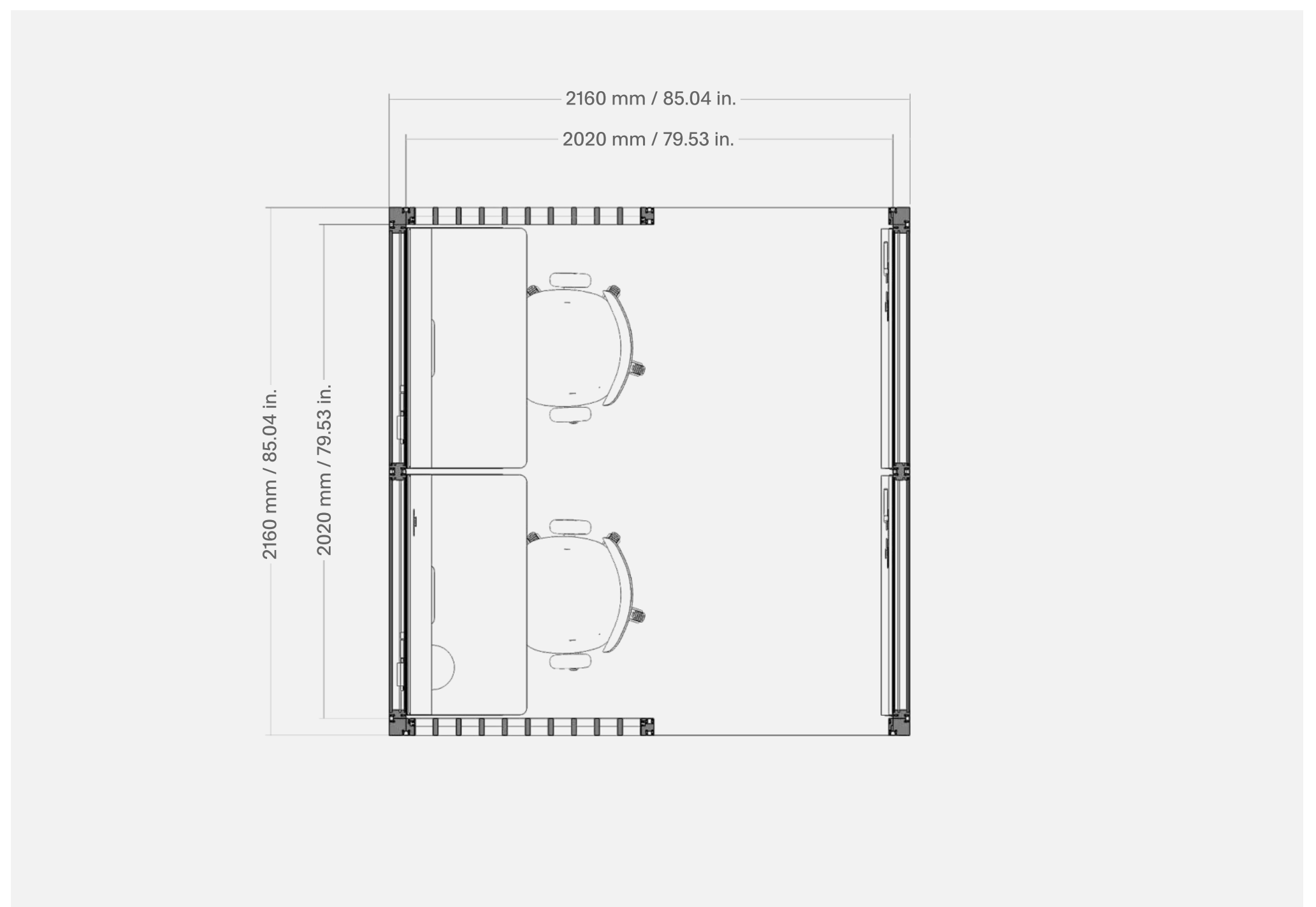
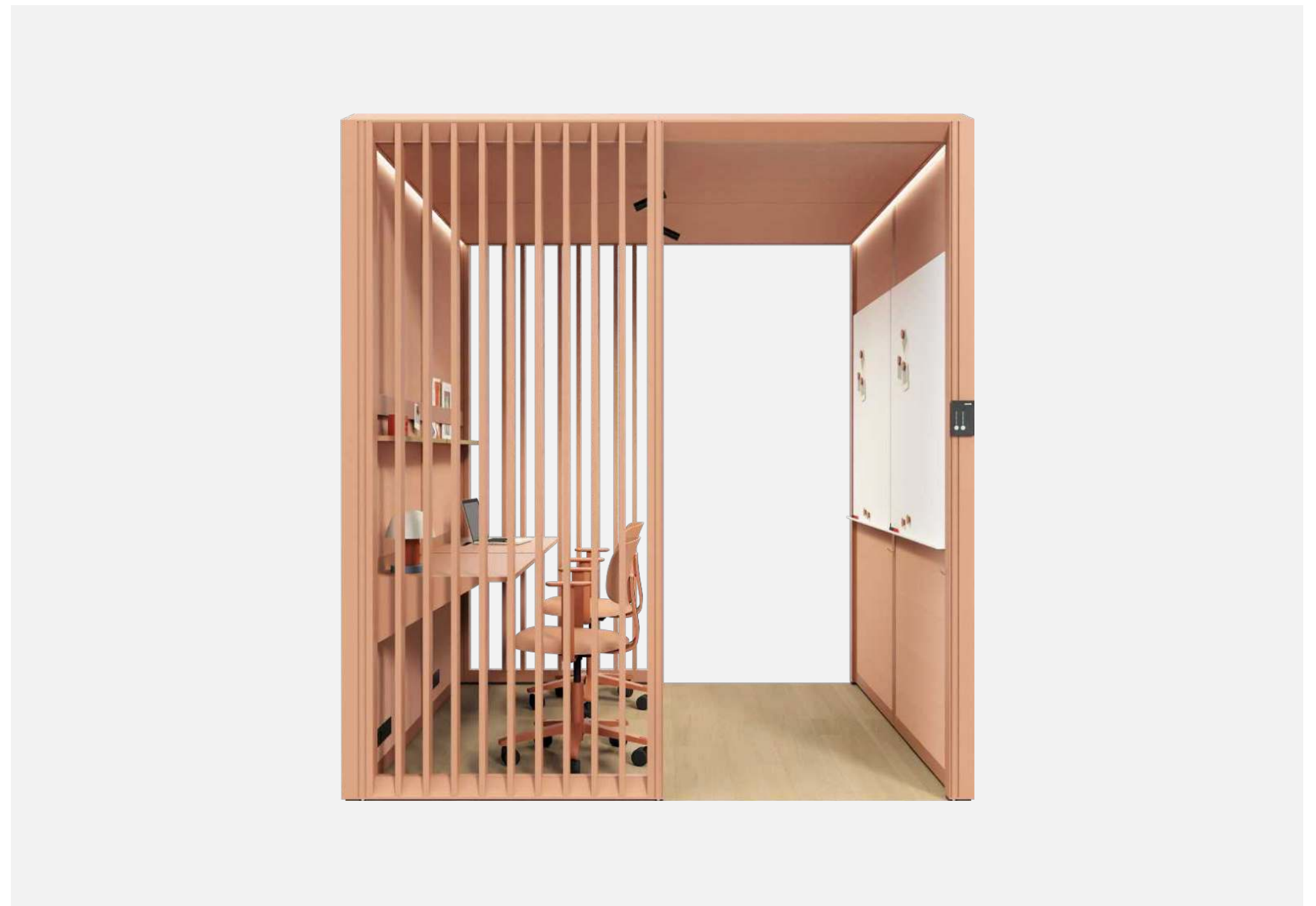
## System furniture and accessories

|    |               |
|----|---------------|
| 2x | shallow shelf |
| 2x | desk          |
| 2x | whiteboard    |
| 2x | display rail  |
| 8x | magnet        |
| 2x | wall hook     |

## Third party fit-out

Listed products are purely exemplary and are not sold by Mute.

|    |                    |
|----|--------------------|
| 2x | chair by Håg       |
| 1x | lamp by &Tradition |



Interested in this unit?

[Ask for an offer →](#)

Need more options?

[See all rooms →](#)



Rooms like the one specified in this card can be combined into multifunctional hubs.

Elements of the Modular system may change.

Specification of the product will be verified while preparing an offer and may also be modified on the client's request.

# Modular | MUTE.

Name

## Work 2x2 p2.v1.C

Function

Work

Modular size

2x2

Capacity

2 people

Type

Closed

### Dimensions (W x L x H)

|          |                           |
|----------|---------------------------|
| Exterior | 2160 x 2160 x 2400 mm     |
|          | 85.04 x 85.04 x 94.49 in. |
| Interior | 2020 x 2020 x 2250 mm     |
|          | 79.53 x 79.53 x 88.58 in. |

### Description

This room for collaborative work provides space and calm for two people. It's equipped with dedicated furniture and accessories, finished with third-party fit-outs.

It is a part of Modular Work set – areas designed purposefully to offer comfort and privacy for the individual, focused work, or small collaborative sessions.

### Colors



### Construction

|    |                                       |
|----|---------------------------------------|
| 4x | solid wall module 1010 mm / 39.76 in. |
| 3x | glass wall module 1010 mm / 39.76 in. |
| 1x | left-hand glass door                  |
| 2x | ceiling module                        |
| 2x | ventilation ceiling module            |
| 2x | modular electric socket               |
| 1x | control panel                         |
| 1x | occupancy sensor                      |
| 2x | Flask track lighting                  |
| √  | integrated linear lamp                |

### System furniture and accessories

|    |              |
|----|--------------|
| √  | curtain rail |
| √  | curtain      |
| 2x | desk         |
| 2x | whiteboard   |
| 2x | display rail |
| 8x | magnet       |
| 2x | wall hook    |
| 2x | phone holder |

### Third party fit-out

Listed products are purely exemplary and are not sold by Mute.

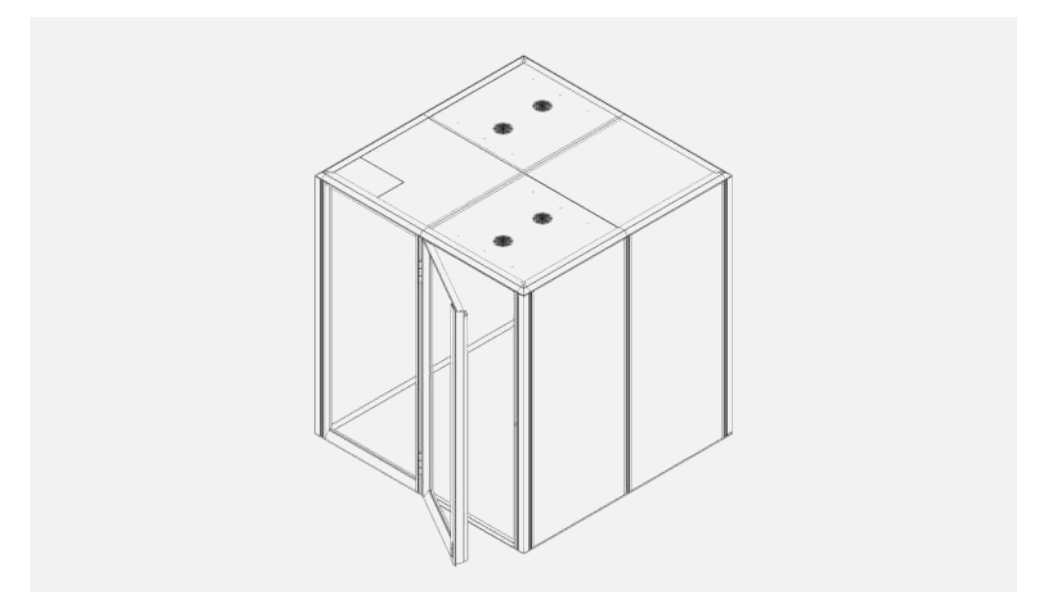
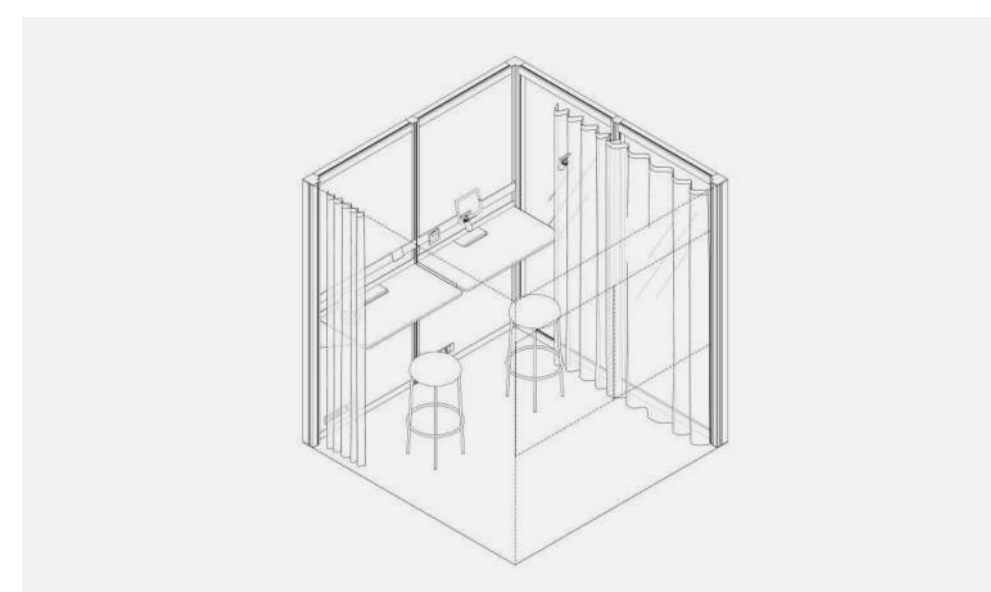
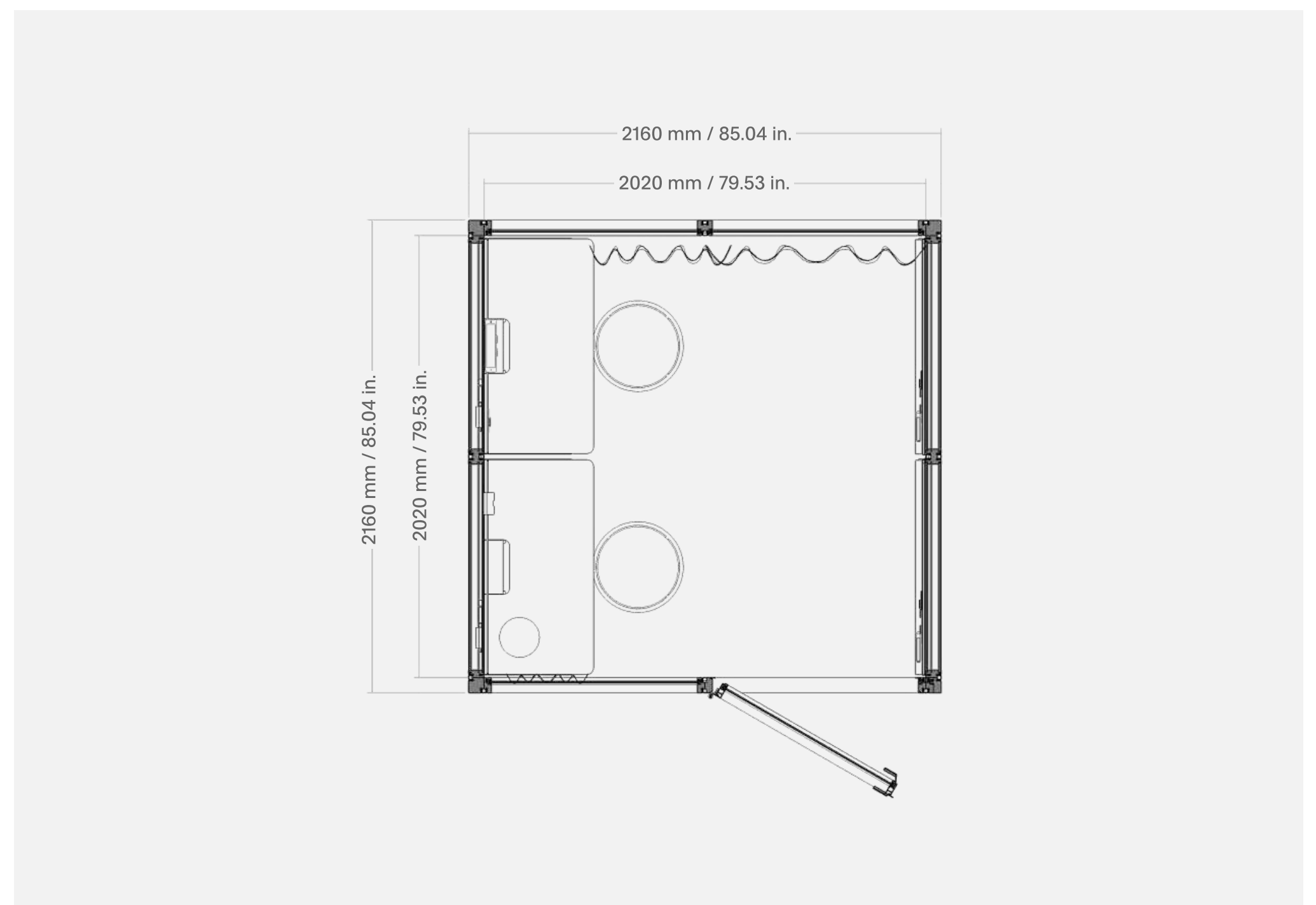
|    |                    |
|----|--------------------|
| 2x | stool by Mitab     |
| 1x | lamp by &Tradition |

Rooms like the one specified in this card can be combined into multifunctional hubs.

Elements of the Modular system may change.

Specification of the product will be verified while preparing an offer and may also be modified on the client's request.

www.mute.design/modular



Interested in this unit?

Ask for an offer →

Need more options?

See all rooms →



© Mute 2024 | All rights reserved

# Modular | MUTE.

## Name Work 3×1 p2.v1.O

Function  
Work

Modular size  
3×1

Capacity  
2 people

Type  
Open

### Dimensions (W × L × H)

Exterior 3170 × 1150 × 2400 mm  
124.80 × 45.28 × 94.49 in.  
Interior 3030 × 1010 × 2250 mm.  
119.29 × 39.76 × 88.58 in.

### Description

This room for collaborative work provides space and calm for two people. It's equipped with dedicated furniture and accessories, finished with third-party fit-outs.

It is a part of Modular Work set – areas designed purposefully to offer comfort and privacy for the individual, focused work, or small collaborative sessions.

### Colors



### Construction

Also available without electricity

|    |  |
|----|--|
| 3× | solid wall module 1010 mm / 39.76 in.            |
| 2× | perforated metal wall module 1010 mm / 39.76 in. |
| 3× | ceiling module                                   |
| 2× | modular electric socket                          |
| 1× | control panel                                    |
| ✓  | integrated linear lamp                           |
| ✓  | overhanging ceiling profile                      |

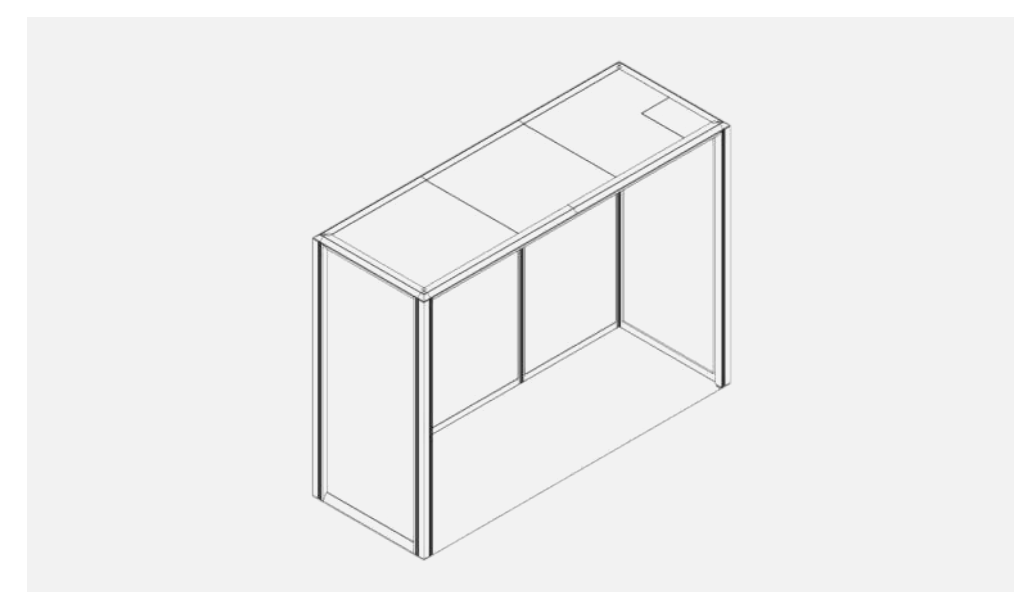
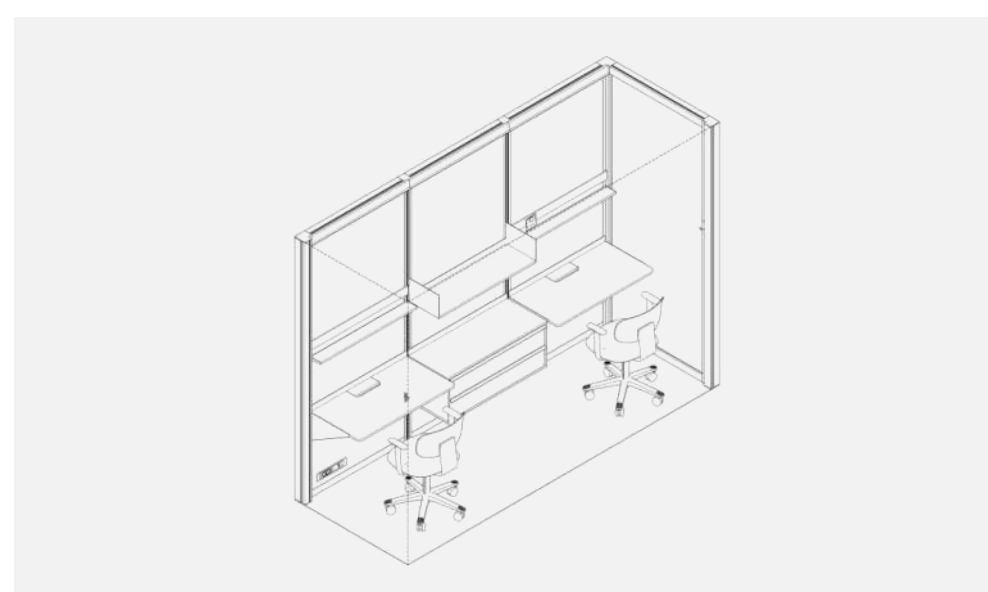
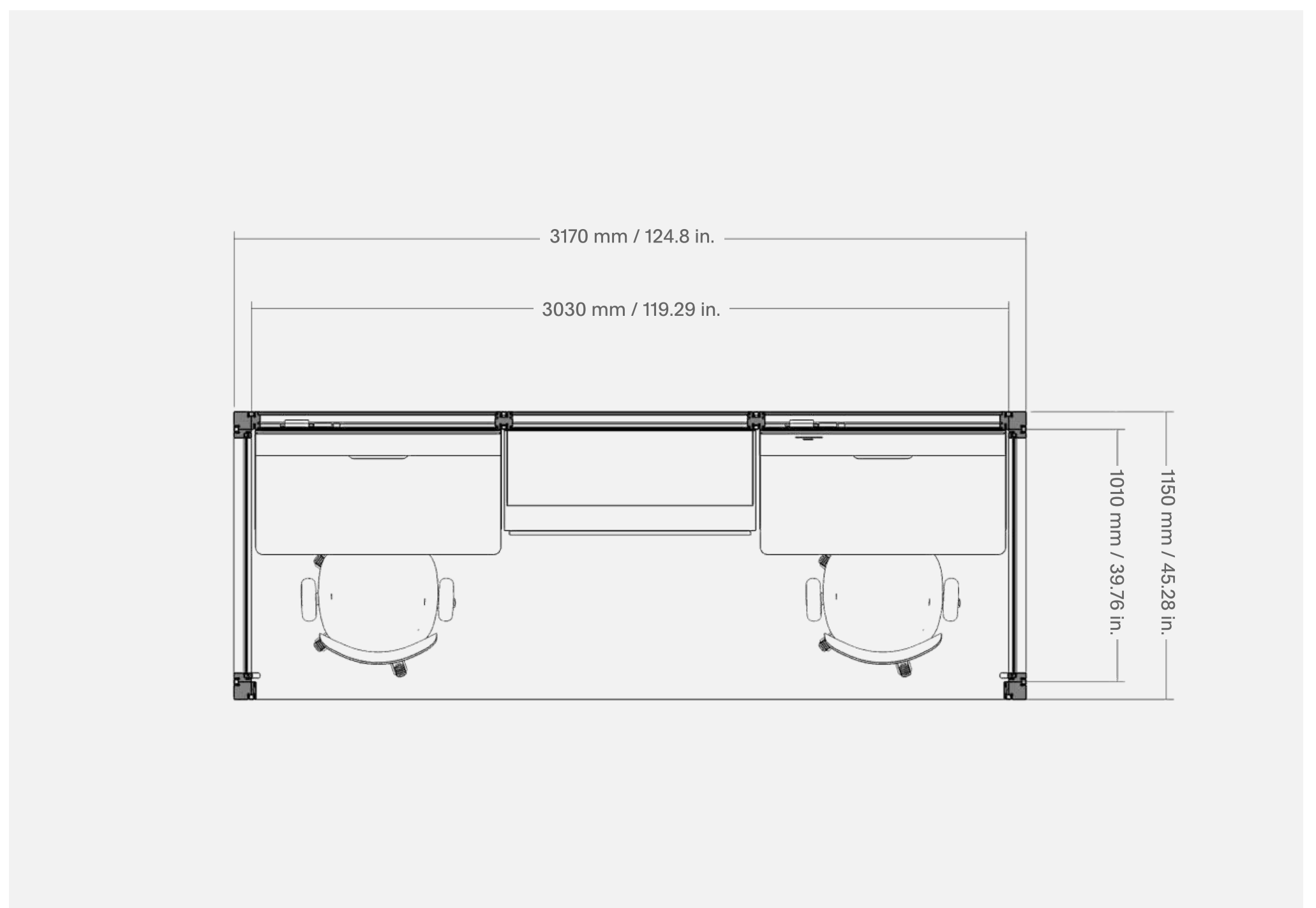
### System furniture and accessories

|    |                          |
|----|--------------------------|
| 2× | shallow shelf            |
| 1× | deep shelf with bookends |
| 1× | two-drawer cabinet       |
| 2× | desk                     |
| 2× | display rail             |
| 2× | magnet                   |
| 2× | wall hook                |

### Third party fit-out

Listed products are purely exemplary and are not sold by Mute.

|    |                    |
|----|--------------------|
| 2× | chair by Håg       |
| 1× | lamp by &Tradition |



Interested in this unit?

[Ask for an offer →](#)

Need more options?

[See all rooms →](#)



Rooms like the one specified in this card can be combined into multifunctional hubs.

Elements of the Modular system may change.

Specification of the product will be verified while preparing an offer and may also be modified on the client's request.

# Modular | MUTE.

Name  
**Work 2x3 p2.v1.C**

Function  
**Work**

Modular size  
**2x3**

Capacity  
**2 people**

Type  
**Closed**

## Dimensions (W x L x H)

Exterior 2160 x 3170 x 2400 mm  
85.04 x 124.80 x 94.49 in.  
Interior 2020 x 3030 x 2250 mm  
79.53 x 119.29 x 88.58 in.

## Description

This room for collaborative work provides space and calm for two people. It's equipped with dedicated furniture and accessories, finished with third-party fit-outs.

It is a part of Modular Work set – areas designed purposefully to offer comfort and privacy for the individual, focused work, or small collaborative sessions.

## Colors



## Construction

|    |                                       |
|----|---------------------------------------|
| 6x | solid wall module 1010 mm / 39.76 in. |
| 3x | glass wall module 1010 mm / 39.76 in. |
| 1x | left-hand glass door                  |
| 4x | ceiling module                        |
| 2x | ventilation ceiling module            |
| 2x | modular electric socket               |
| 1x | occupancy sensor                      |
| 1x | control panel                         |
| 2x | Flask track lighting                  |
| √  | integrated linear lamp                |

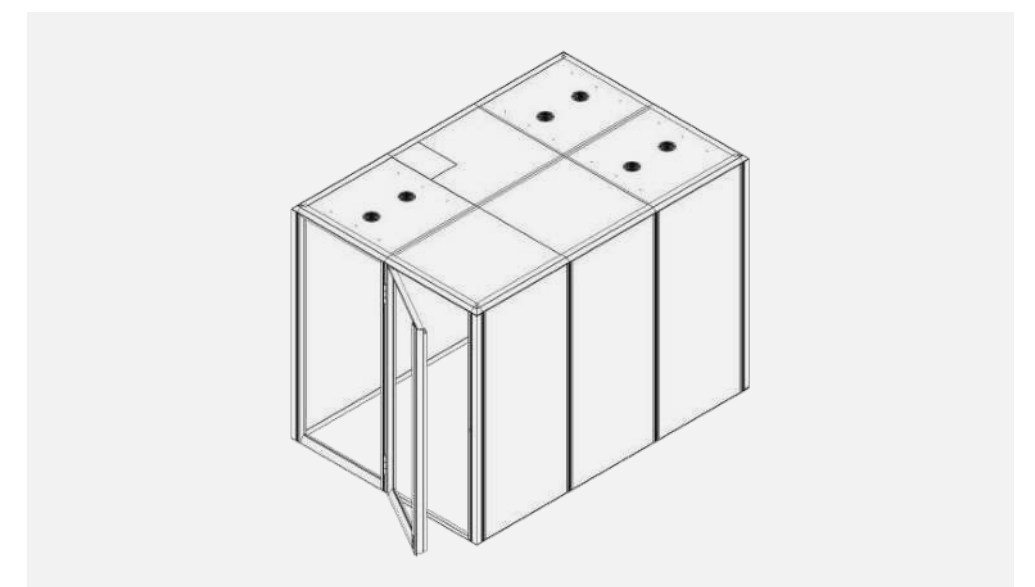
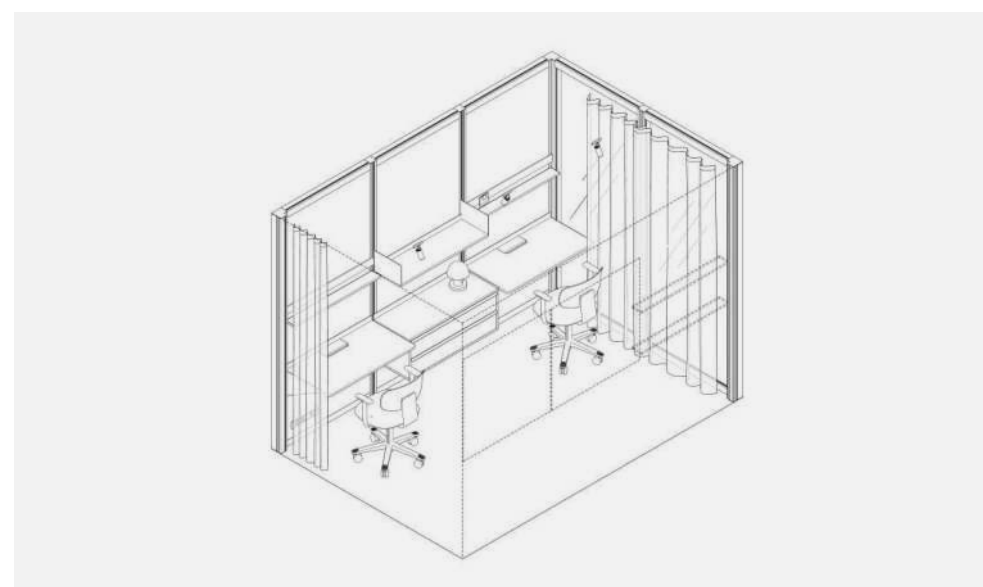
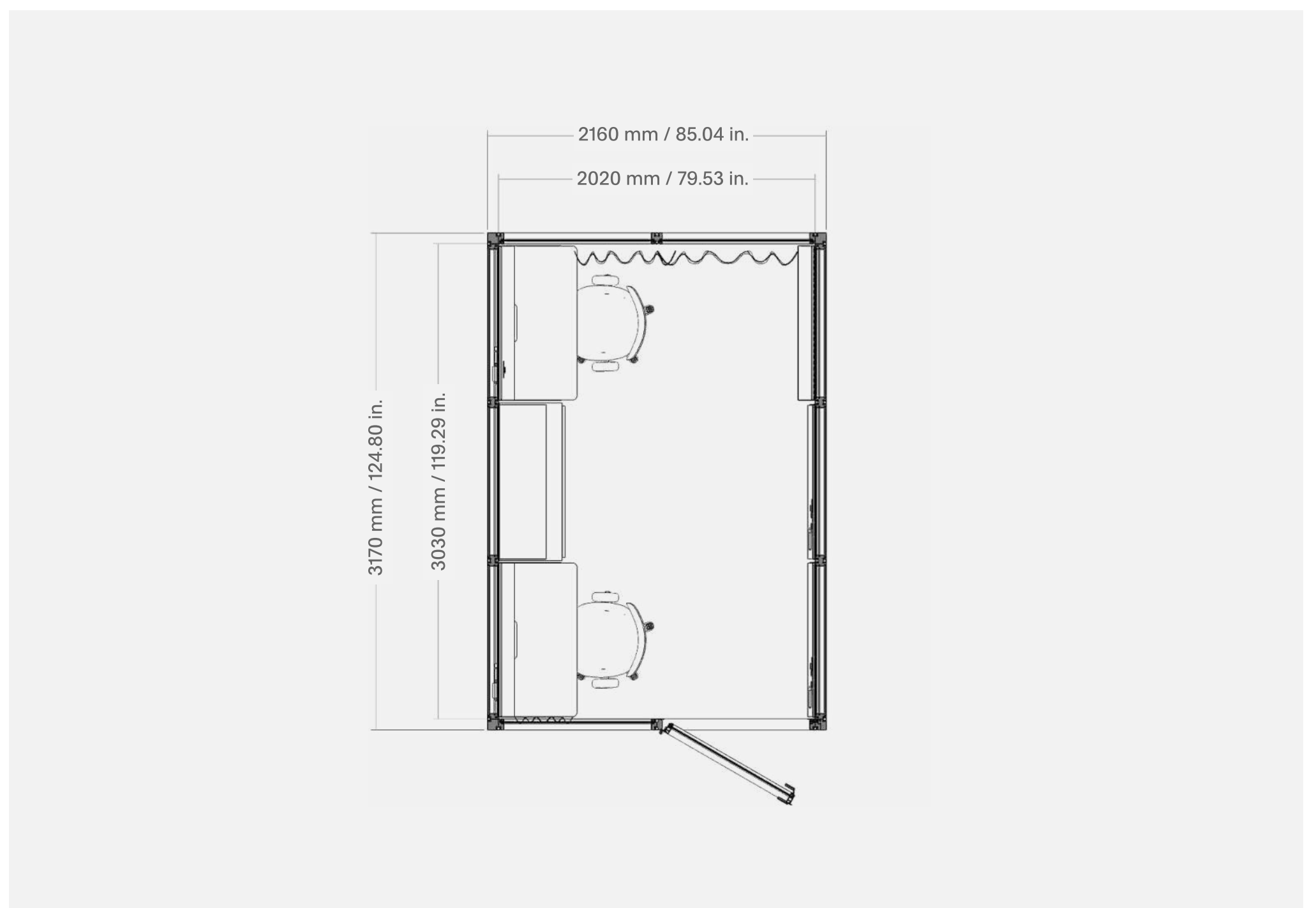
## System furniture and accessories

|    |                          |    |              |
|----|--------------------------|----|--------------|
| √  | curtain rail             | 2x | desk         |
| √  | curtain                  | 2x | whiteboard   |
| 4x | shallow shelf            | 4x | display rail |
| 1x | deep shelf with bookends | 8x | magnet       |
| 1x | two-drawer cabinet       | 2x | wall hook    |

## Third party fit-out

Listed products are purely exemplary and are not sold by Mute.

|    |                    |
|----|--------------------|
| 2x | chair by Håg       |
| 1x | lamp by &Tradition |



Interested in this unit?

[Ask for an offer →](#)

Need more options?

[See all rooms →](#)



Rooms like the one specified in this card can be combined into multifunctional hubs.

Elements of the Modular system may change.

Specification of the product will be verified while preparing an offer and may also be modified on the client's request.

# Modular | MUTE.

## Name Work 3×2 p4.v1.0

Function  
Work

Modular size  
3×2

Capacity  
4 people

Type  
Open

### Dimensions (W × L × H)

Exterior 3170 × 2160 × 2400 mm  
124.80 × 85.04 × 94.49 in.  
Interior 3030 × 2020 × 2250 mm  
119.29 × 79.53 × 88.58 in.

### Description

This room for collaborative work provides space and calm for four people. It's equipped with dedicated furniture and accessories, finished with third-party fit-outs.

It is a part of Modular Work set – areas designed purposefully to offer comfort and privacy for the individual, focused work, or small collaborative sessions.

### Colors



### Construction

Also available without electricity

|    |  |
|----|--|
| 3× | solid wall module 1010 mm / 39.76 in.            |
| 4× | perforated metal wall module 1010 mm / 39.76 in. |
| 6× | ceiling module                                   |
| 1× | modular electric socket                          |
| 1× | control panel                                    |
| 3× | Flask track lighting                             |
| ✓  | integrated linear lamp                           |
| ✓  | overhanging ceiling profile                      |

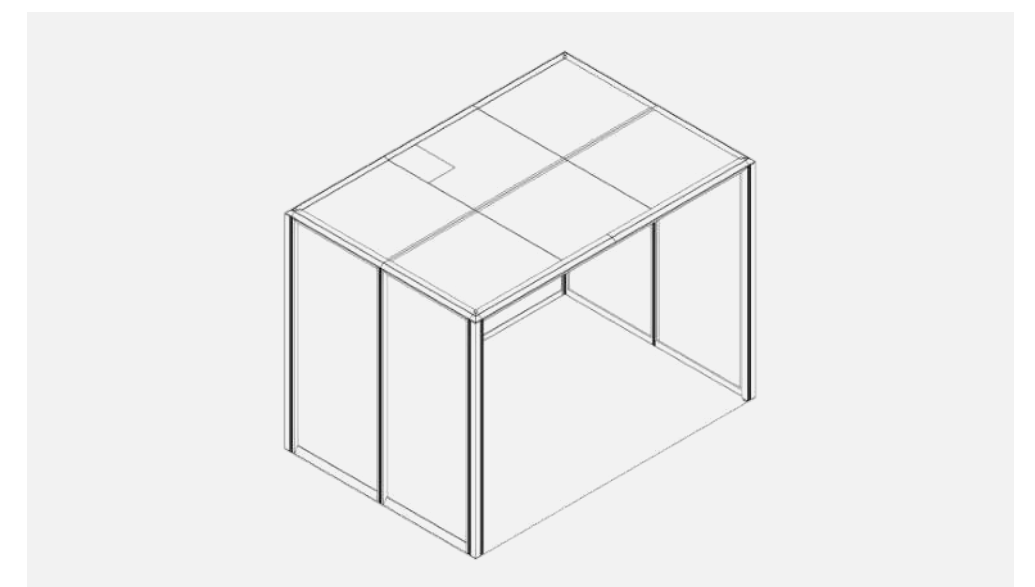
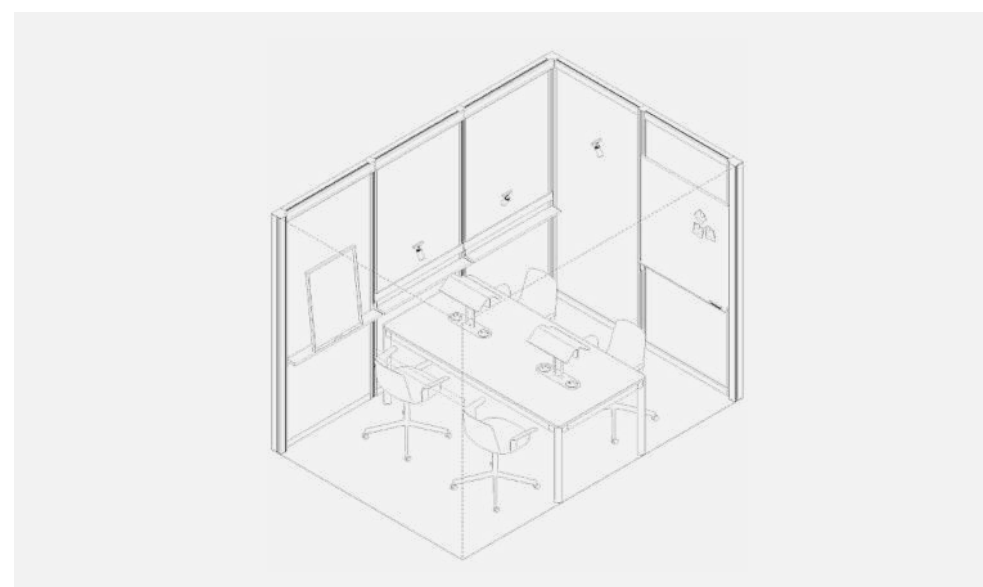
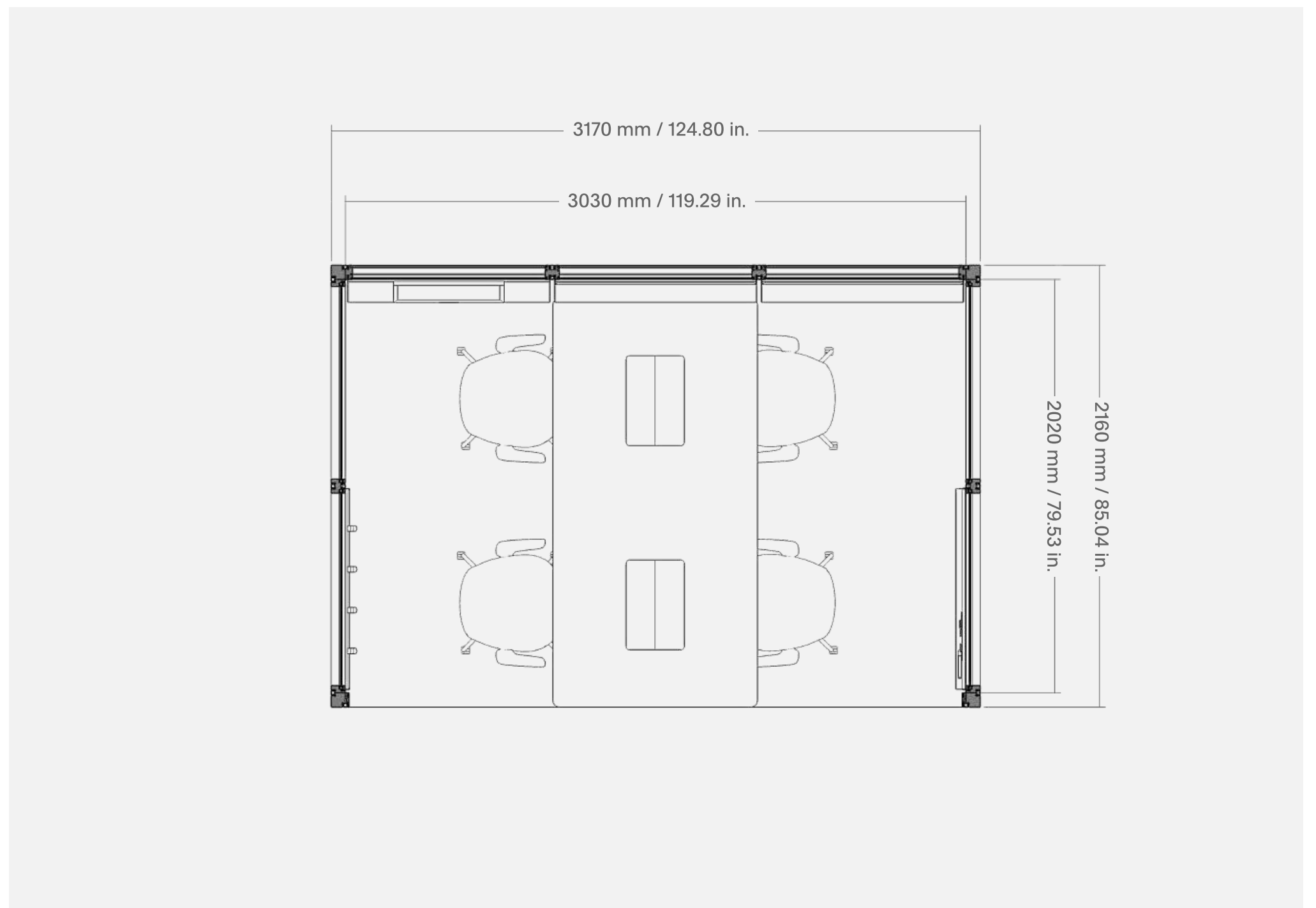
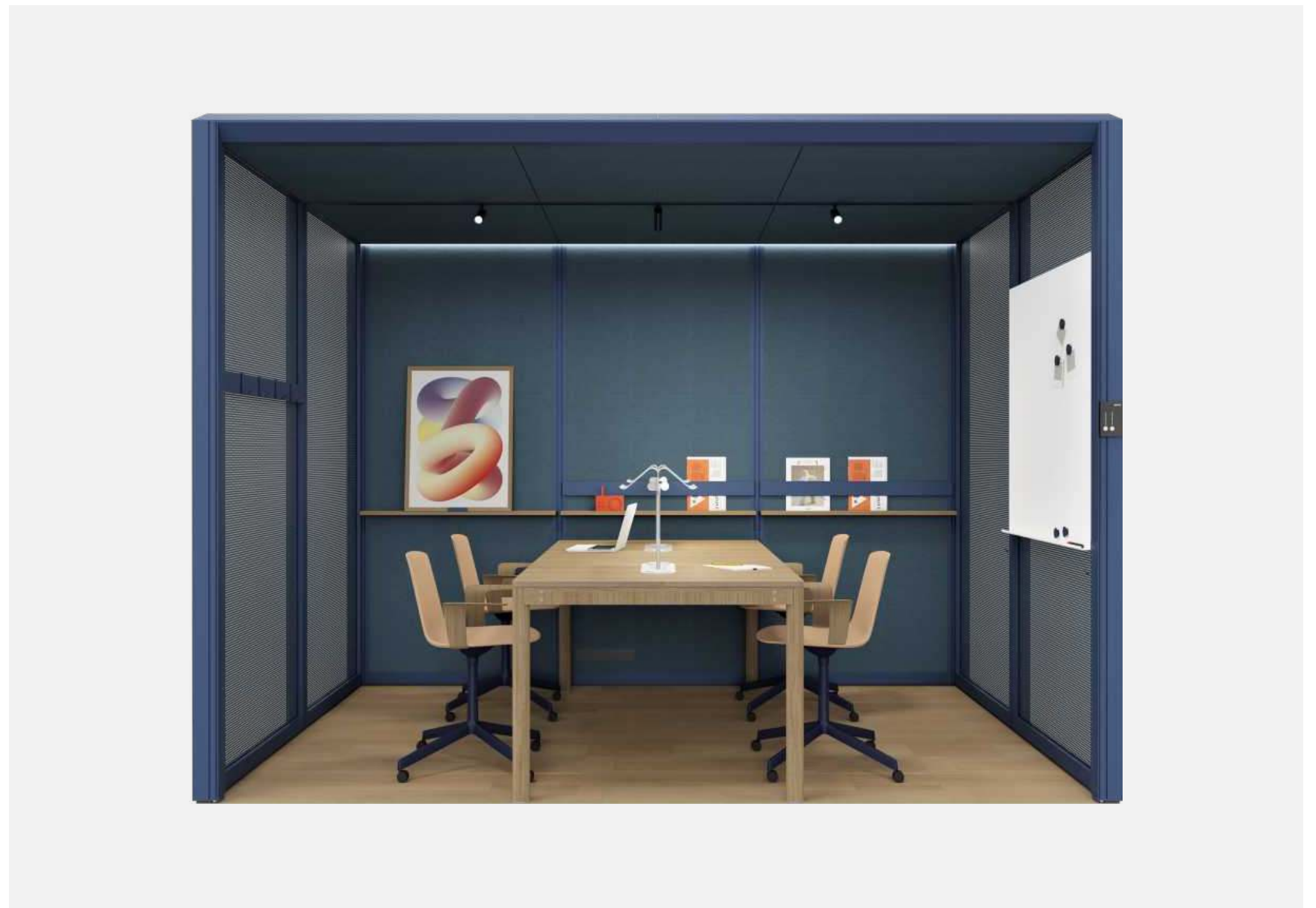
### System furniture and accessories

|    |                   |
|----|-------------------|
| 3× | shallow shelf     |
| 1× | whiteboard        |
| 3× | display rail      |
| 4× | display rail hook |
| 4× | magnet            |
| 2× | wall hook         |
| 1× | display stand     |

### Third party fit-out

Listed products are purely exemplary and are not sold by Mute.

|    |   |
|----|---|
| 1× | table with lamps by Very Good & Proper Design |
| 4× | chair with castors by Enea                    |



Interested in this unit?

[Ask for an offer →](#)

Need more options?

[See all rooms →](#)



Rooms like the one specified in this card can be combined into multifunctional hubs.

Elements of the Modular system may change.

Specification of the product will be verified while preparing an offer and may also be modified on the client's request.



# Modular | MUTE.

## Name Work 3x3 p2.v1.C

Function  
Work

Modular size  
3x3

Capacity  
2 people

Type  
Closed

### Dimensions (W x L x H)

Exterior 3170 x 3170 x 2400 mm  
124.80 x 124.80 x 94.49 in.  
Interior 3030 x 3030 x 2250 mm  
119.29 x 119.29 x 88.58 in.

### Description

This room for collaborative work provides space and calm for two people. It's equipped with dedicated furniture and accessories, finished with third-party fit-outs.

It is a part of Modular Work set – areas designed purposefully to offer comfort and privacy for the individual, focused work, or small collaborative sessions.

### Colors



### Construction

|    |  |    |                         |
|----|--|----|-------------------------|
| 6x | solid wall module<br>1010 mm / 39.76 in. | 2x | modular electric socket |
|    |  | 1x | control panel           |
| 5x | glass wall module<br>1010 mm / 39.76 in. | 2x | occupancy sensor        |
|    |  | 6x | Flask track lighting    |
| 1x | left-hand glass door                     | ✓  | integrated linear lamp  |
| 5x | ceiling module                           |    |                         |
| 4x | ventilation ceiling module               |    |                         |

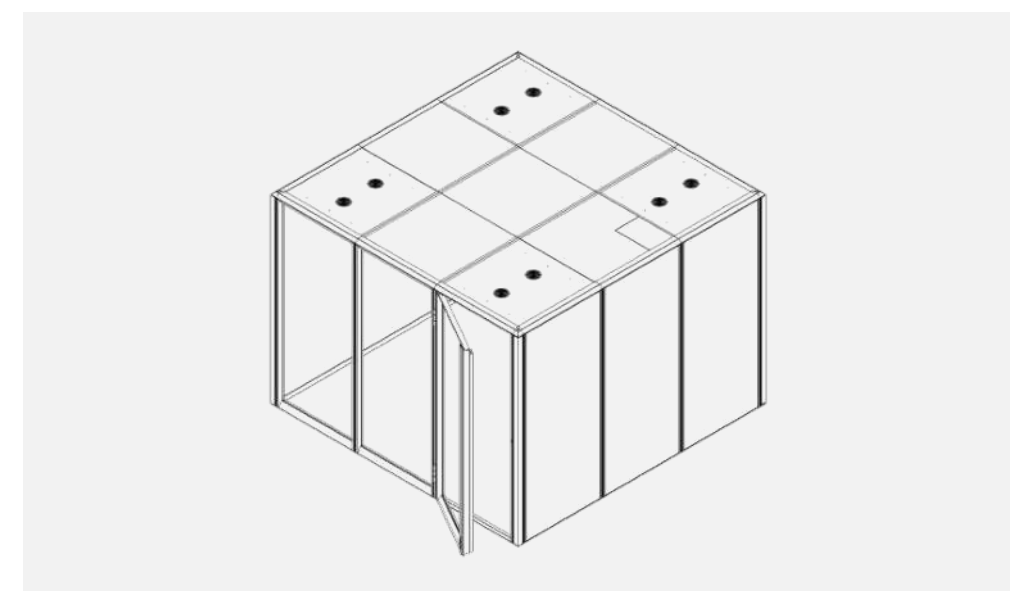
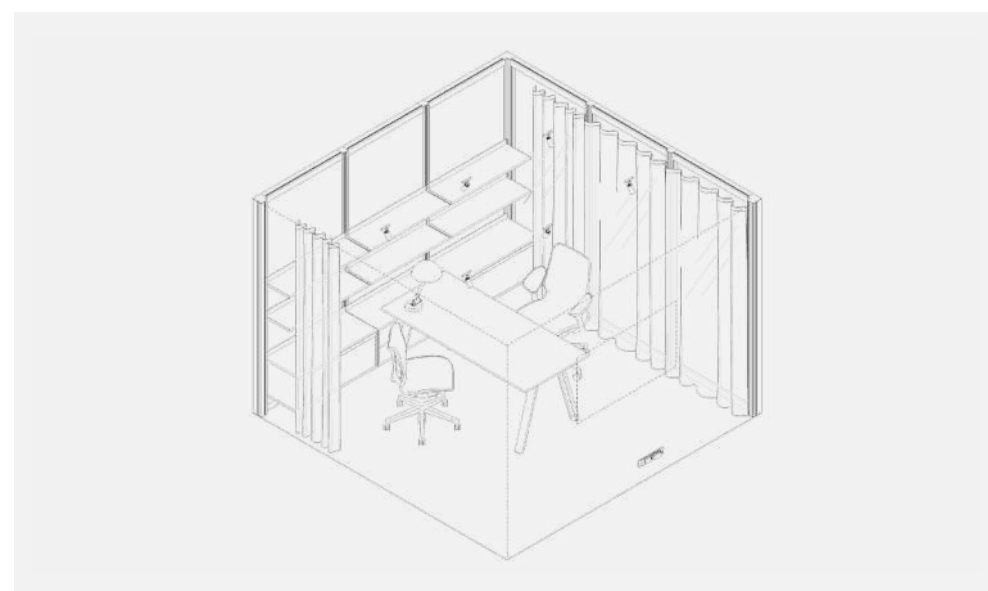
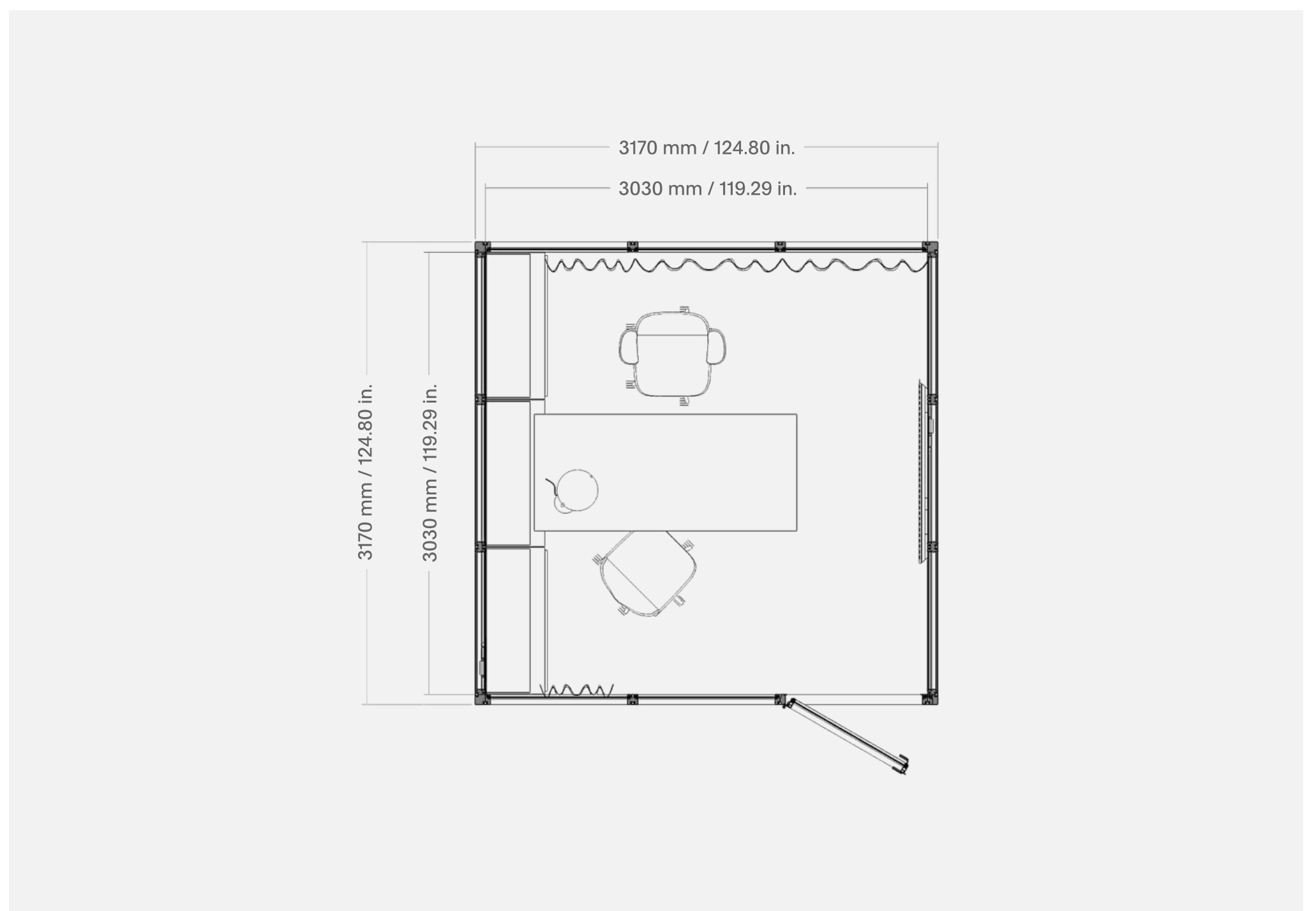
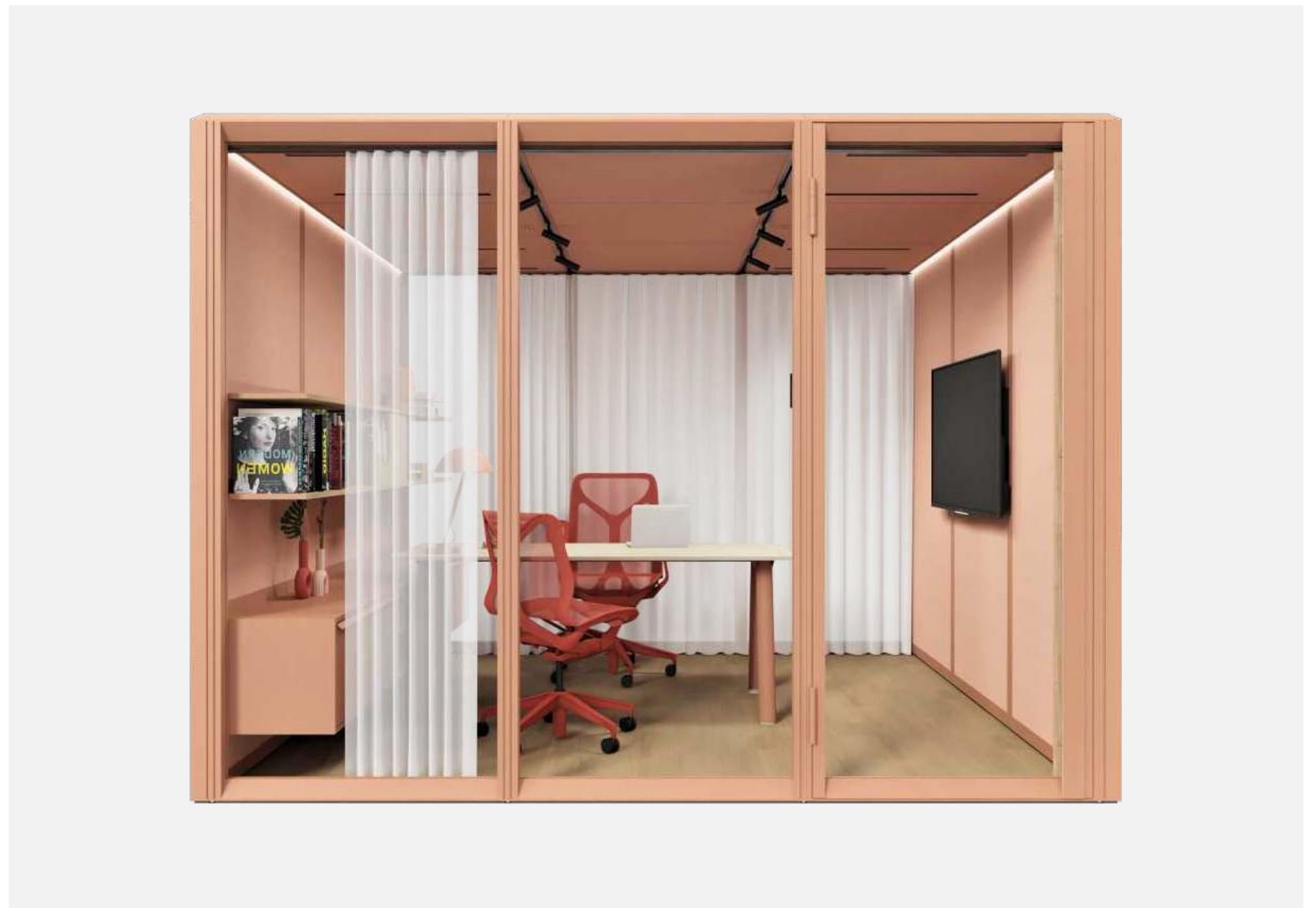
### System furniture and accessories

|    |                     |
|----|---------------------|
| ✓  | curtain rail        |
| ✓  | curtain             |
| 6x | deep shelf          |
| 2x | deep drawer cabinet |
| 1x | open shelf cabinet  |
| 2x | wall hook           |
| 1x | TV hanger           |

### Third party fit-out

Listed products are purely exemplary and are not sold by Mute.

|    |                        |
|----|------------------------|
| 1x | desk by Manerba        |
| 2x | chair by Herman Miller |
| 1x | lamp by Wastberg       |



Interested in this unit?

[Ask for an offer →](#)

Need more options?

[See all rooms →](#)



Rooms like the one specified in this card can be combined into multifunctional hubs.

Elements of the Modular system may change.

Specification of the product will be verified while preparing an offer and may also be modified on the client's request.

# Modular | MUTE.

Name

## Work 3x3 p4.v1.0

Function

Work

Modular size

3x3

Capacity

4 people

Type

Open

### Dimensions (W x L x H)

Exterior 3170 x 3170 x 2400 mm  
124.80 x 124.80 x 94.49 in.

Interior 3030 x 3030 x 2250 mm  
119.29 x 119.29 x 88.58 in.

### Description

This room for collaborative work provides space and calm for four people. It's equipped with dedicated furniture and accessories, finished with third-party fit-outs.

It is a part of Modular Work set – areas designed purposefully to offer comfort and privacy for the individual, focused work, or small collaborative sessions.

### Colors



### Construction

Also available without electricity

|    |   |
|----|---|
| 6x | solid wall module 1010 mm / 39.76 in.   |
| 3x | slatted wall module 1010 mm / 39.76 in. |
| 2x | modular electric socket                 |
| 1x | control panel                           |
| 6x | Flask track lighting                    |
| ✓  | overhanging ceiling profile             |

### System furniture and accessories

|    |                    |
|----|--------------------|
| ✓  | curtain rail       |
| ✓  | curtain            |
| 6x | deep shelf         |
| 1x | open shelf cabinet |
| 2x | two-drawer cabinet |
| 2x | whiteboard         |
| 1x | display rail       |
| 4x | display rail hook  |
| 8x | magnet             |
| 2x | wall hook          |

### Third party fit-out

Listed products are purely exemplary and are not sold by Mute.

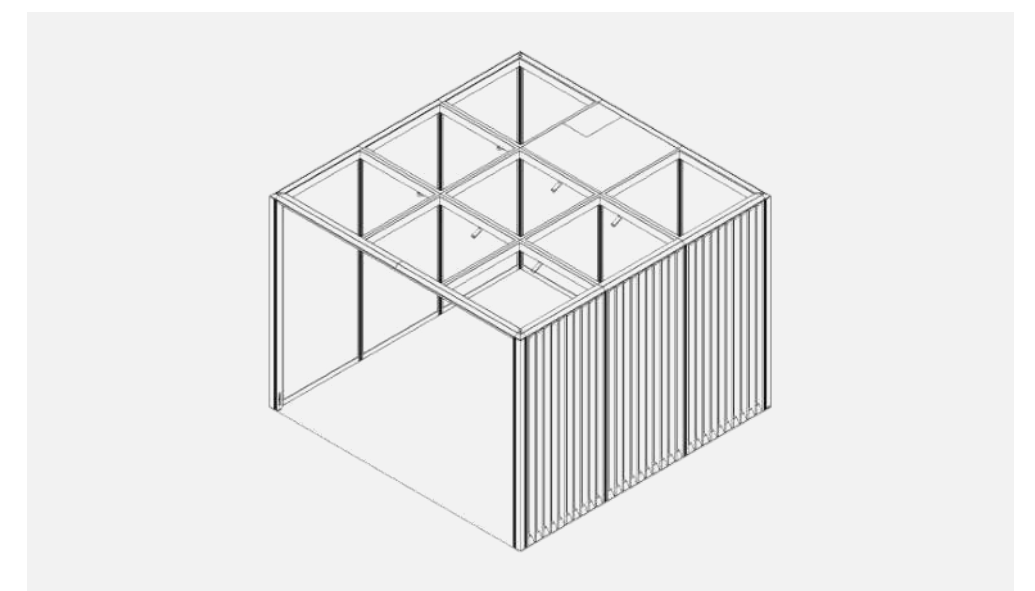
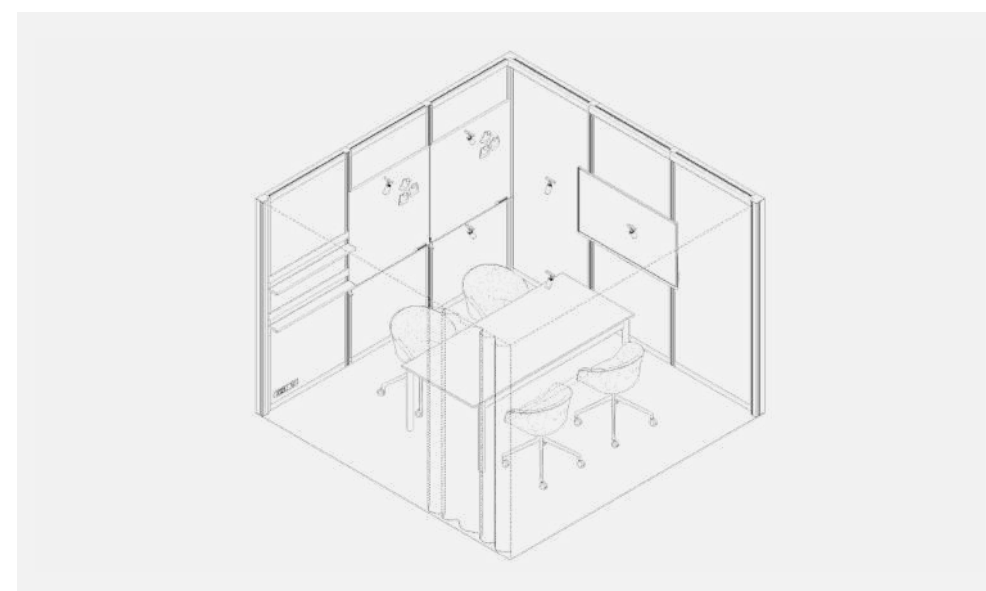
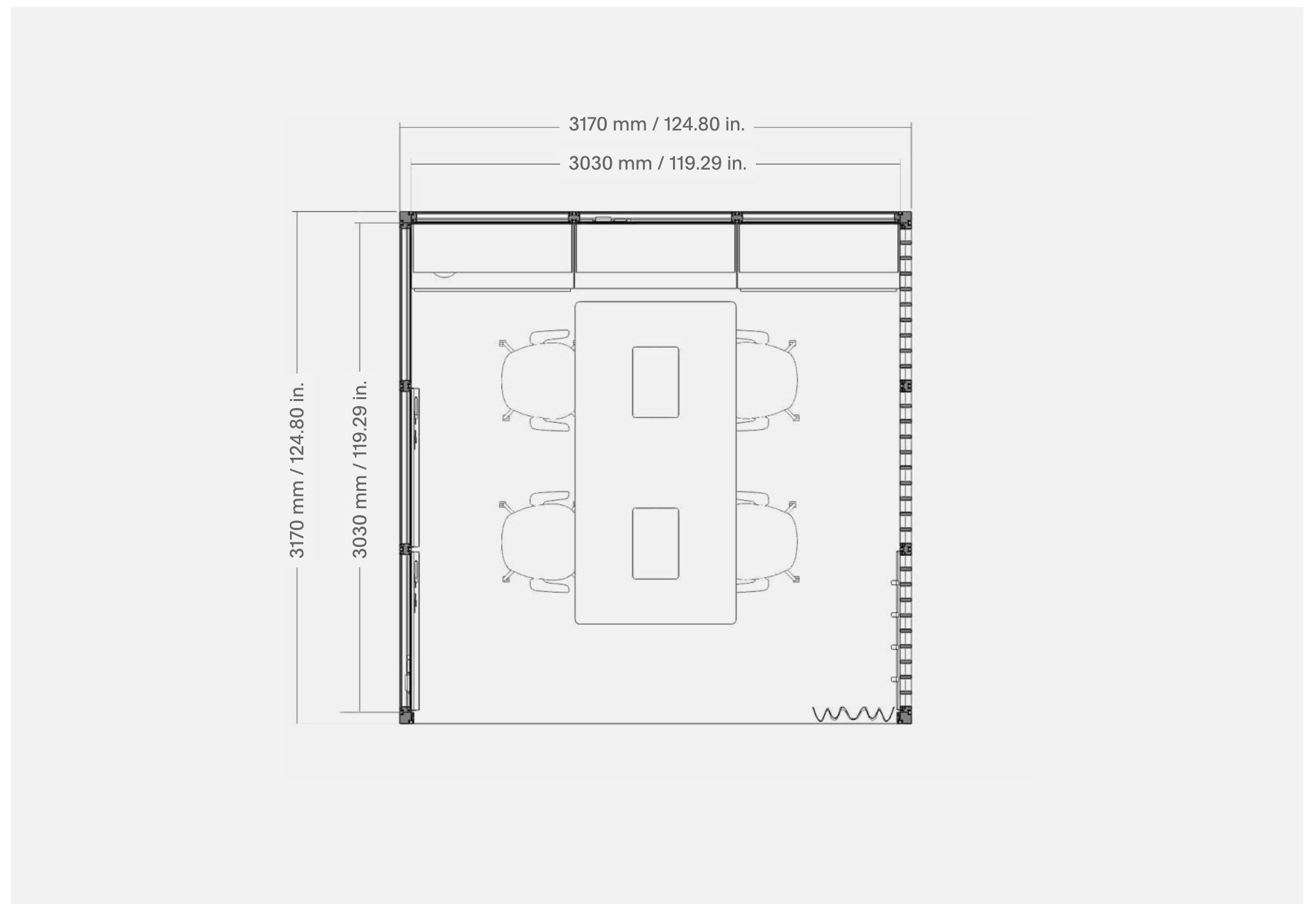
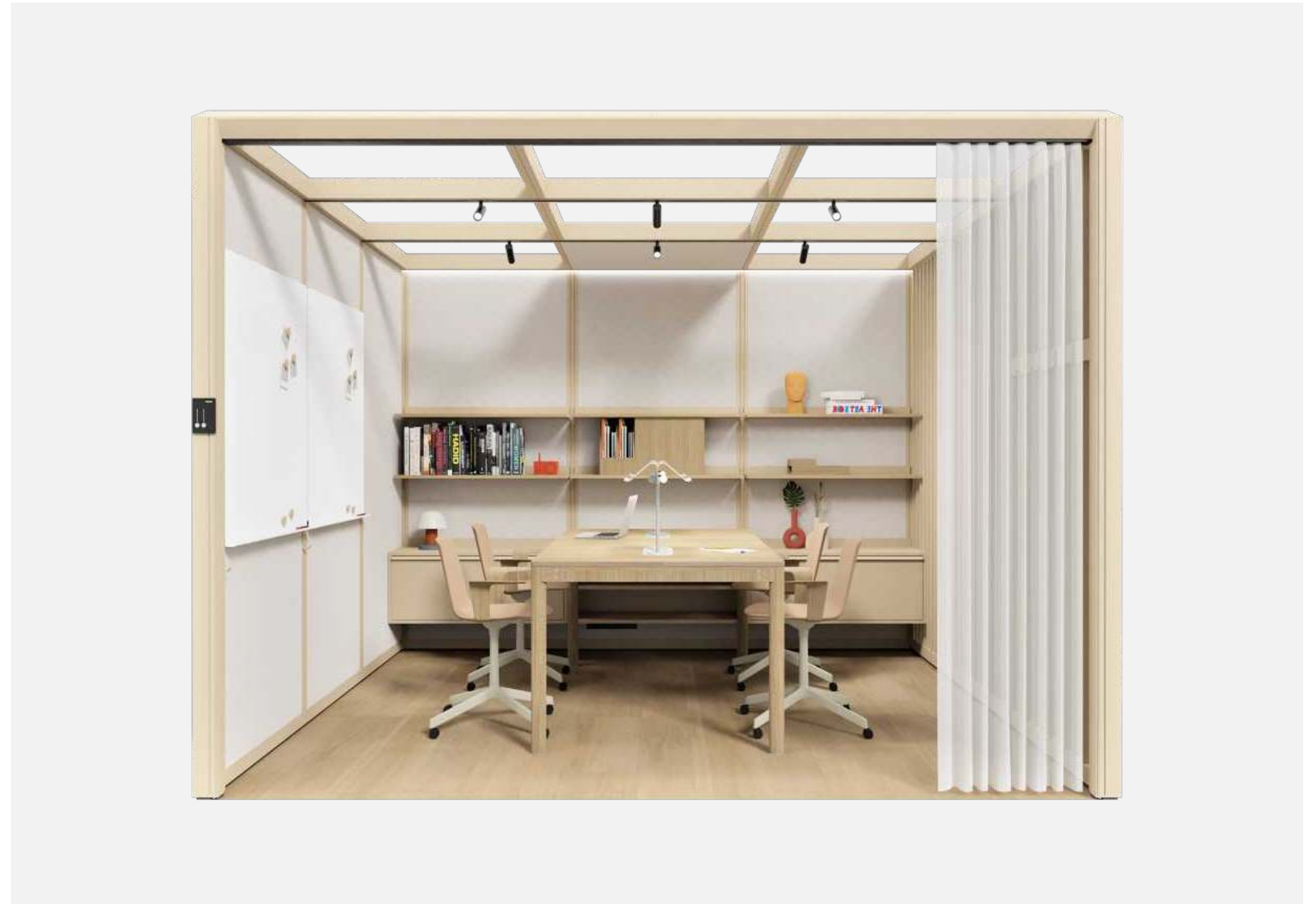
|    |   |
|----|---|
| 1x | table with lamps by Very Good & Proper Design |
| 4x | chair with castors by Enea                    |

Rooms like the one specified in this card can be combined into multifunctional hubs.

Elements of the Modular system may change.

Specification of the product will be verified while preparing an offer and may also be modified on the client's request.

www.mute.design/modular



Interested in this unit?

Ask for an offer →

Need more options?

See all rooms →



© Mute 2024 | All rights reserved

# Modular | MUTE.

## Name Work 4x4 p4.v1.C

Function  
Work

Modular size  
4x4

Capacity  
4 people

Type  
Closed

### Dimensions (W x L x H)

Exterior 4180 x 4180 x 2400 mm  
164.57 x 164.57 x 94.49 in.  
Interior 4040 x 4040 x 2250 mm  
159.06 x 159.06 x 88.58 in.

### Description

This room for collaborative work provides space and calm for four people. It's equipped with dedicated furniture and accessories, finished with third-party fit-outs.

It is a part of Modular Work set – areas designed purposefully to offer comfort and privacy for the individual, focused work, or small collaborative sessions.

### Colors



### Construction

|     |  |     |                         |
|-----|--|-----|-------------------------|
| 12x | solid wall module<br>1010 mm / 39.76 in. | 2x  | modular electric socket |
|     |  | 1x  | control panel           |
| 3x  | glass wall module<br>1010 mm / 39.76 in. | 2x  | occupancy sensor        |
|     |  | 12x | Myco track lighting     |
| 1x  | left-hand glass door                     | ✓   | integrated linear lamp  |
| 14x | ceiling module                           |     |                         |
| 2x  | ventilation ceiling module               |     |                         |

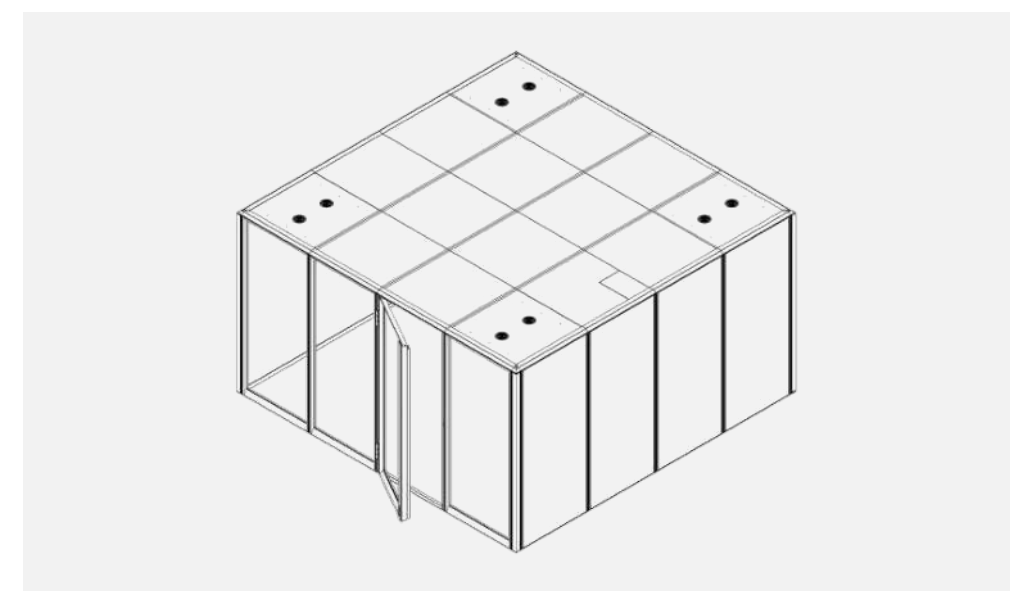
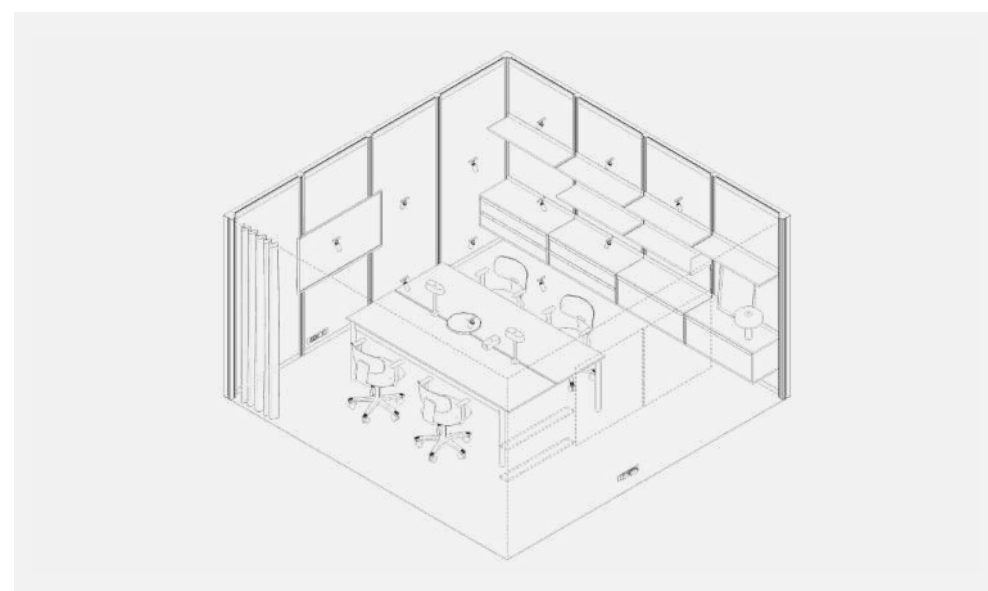
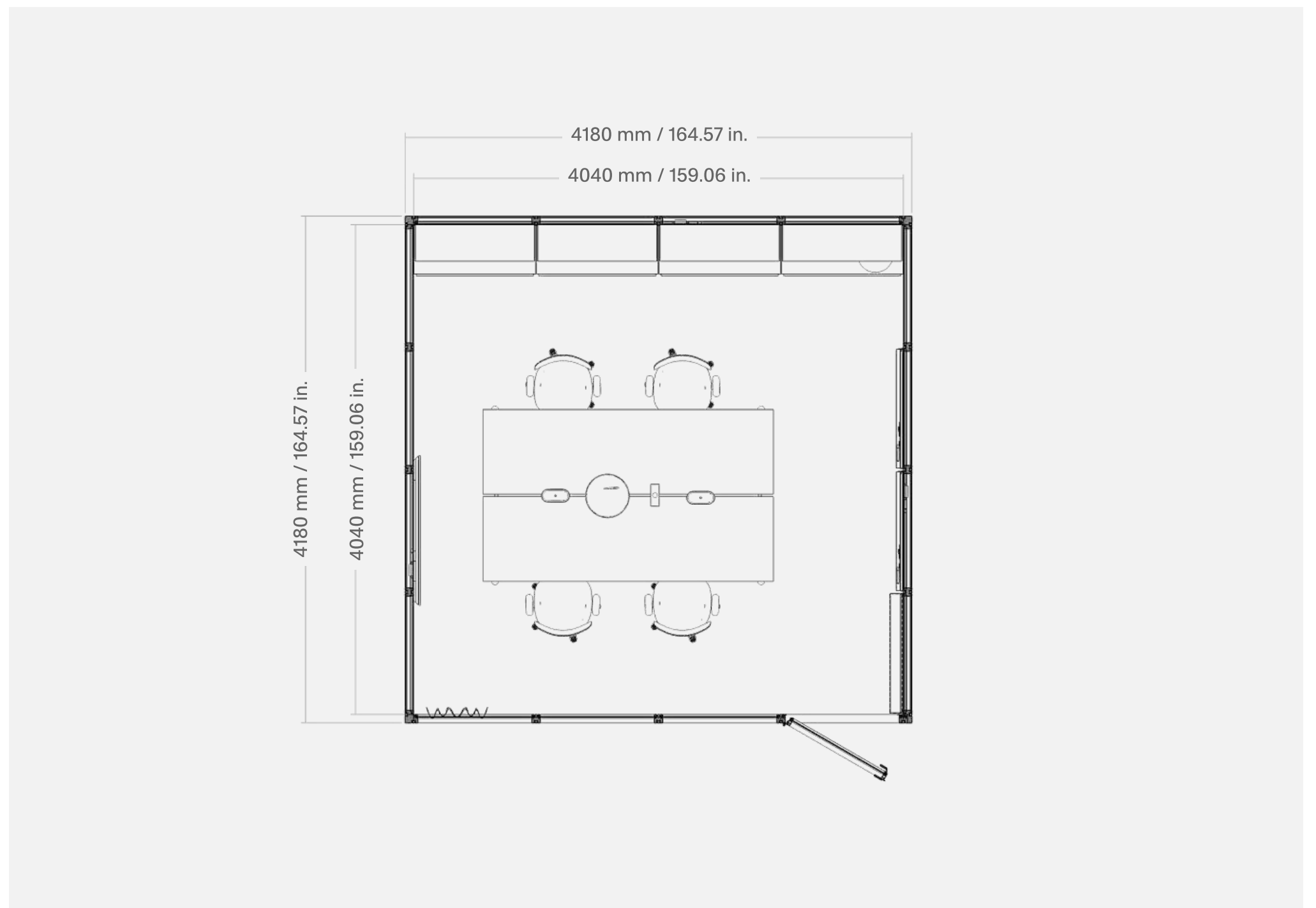
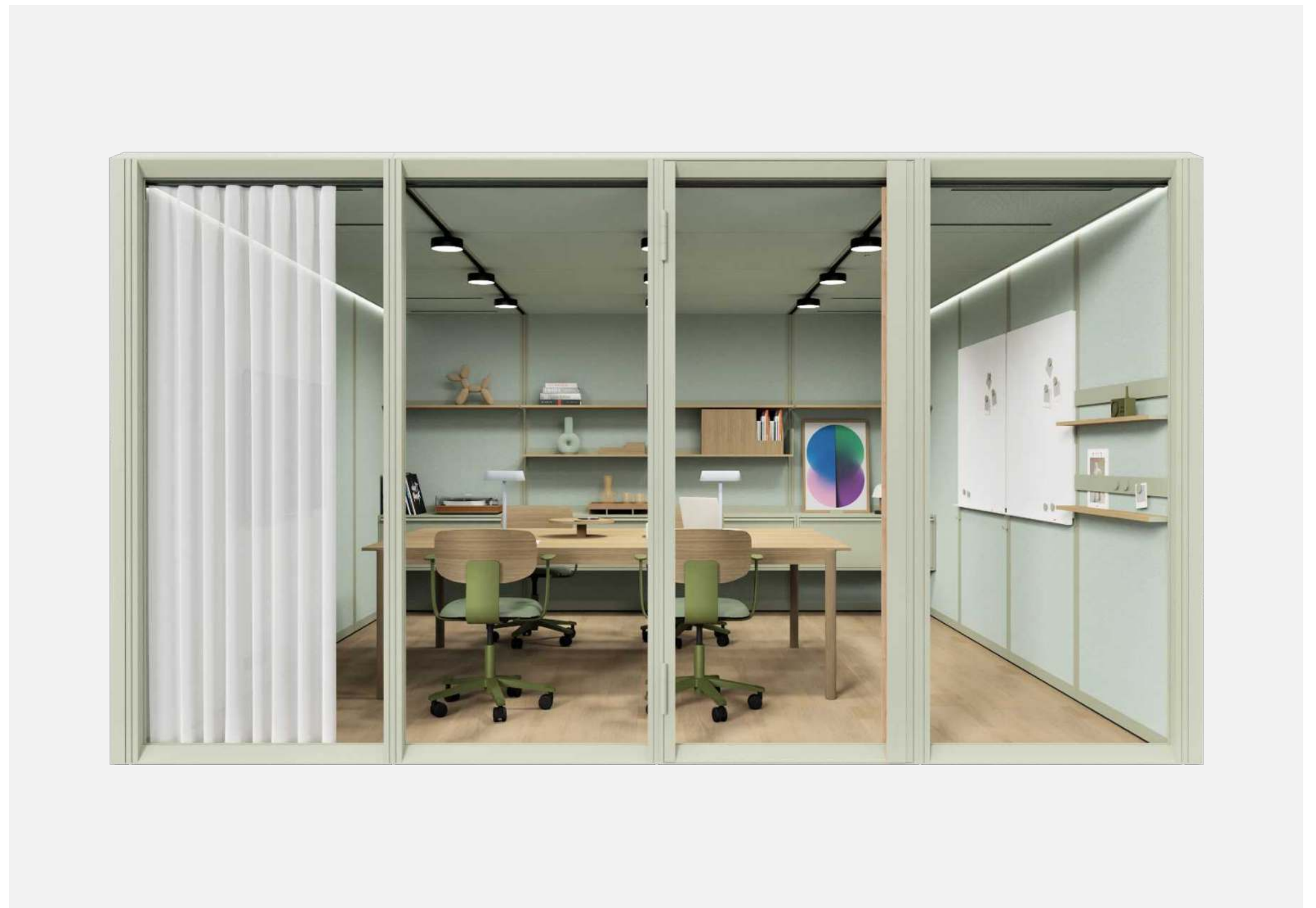
### System furniture and accessories

|    |                           |    |               |
|----|---------------------------|----|---------------|
| ✓  | curtain rail              | 1x | TV hanger     |
| ✓  | curtain                   | 2x | whiteboard    |
| 2x | shallow shelf             | 2x | display rail  |
| 5x | deep shelf                | 8x | magnet        |
| 1x | deep shelf, right bookend | 2x | wall hook     |
| 2x | open shelf cabinet        | 1x | display stand |
| 2x | deep drawer cabinet       |    |               |

### Third party fit-out

Listed products are purely exemplary and are not sold by Mute.

|    |                |
|----|----------------|
| 1x | table by Muuto |
| 4x | chair by Håg   |
| 1x | lamp by Bludot |



Interested in this unit?

Ask for an offer →

Need more options?

See all rooms →



Rooms like the one specified in this card can be combined into multifunctional hubs.

Elements of the Modular system may change.

Specification of the product will be verified while preparing an offer and may also be modified on the client's request.



# Modular | MUTE.

## Name Meet 2x1 p2.v1.O

Function  
Meet

Modular size  
2x1

Capacity  
2 people

Type  
Open

### Dimensions (W × L × H)

Exterior 2160 × 1150 × 2400 mm  
85.04 × 45.28 × 94.49 in.  
Interior 2020 × 1010 × 2250 mm  
79.53 × 39.76 × 88.58 in.

### Description

This room for meetups provides space up to 2 people. It's equipped with dedicated furniture and accessories, finished with third-party fit-outs.

It is a part of Modular Meet set – areas in plenty of sizes and capacities to host any gathering: team meet-ups, brainstorm, workshops, small talks, and more.

### Colors



### Construction

Also available without electricity

|    |                                       |
|----|---------------------------------------|
| 4x | solid wall module 1010 mm / 39.76 in. |
| 2x | ceiling module                        |
| 1x | modular electric socket               |
| 1x | control panel                         |
| ✓  | integrated linear lamp                |
| ✓  | overhanging ceiling profile           |

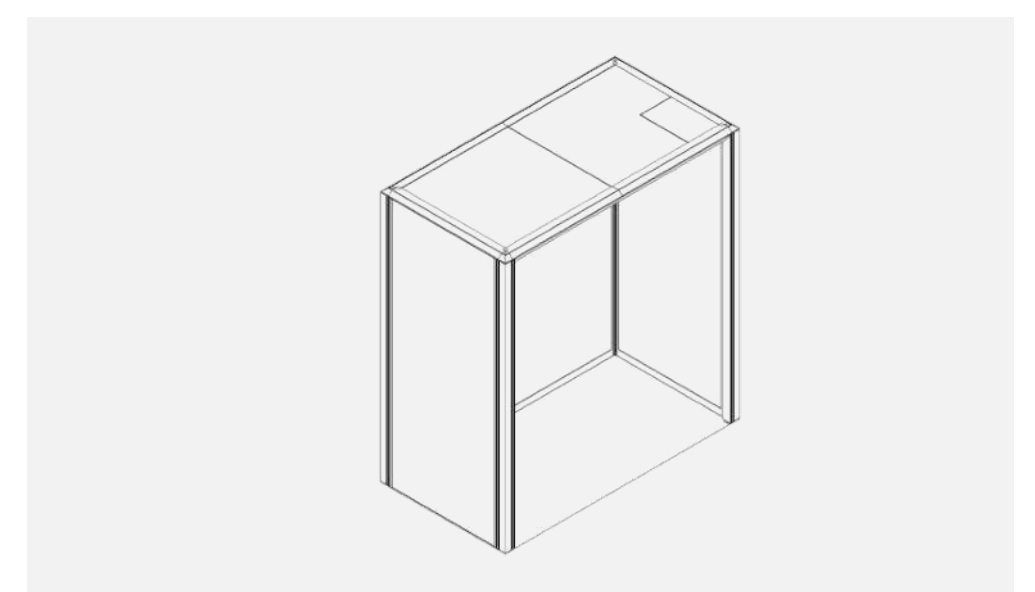
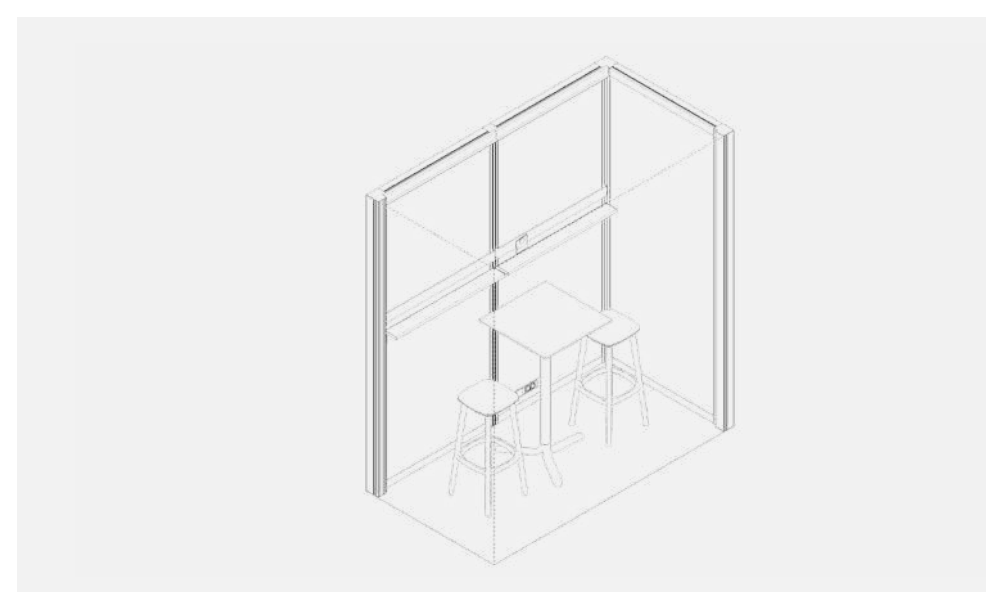
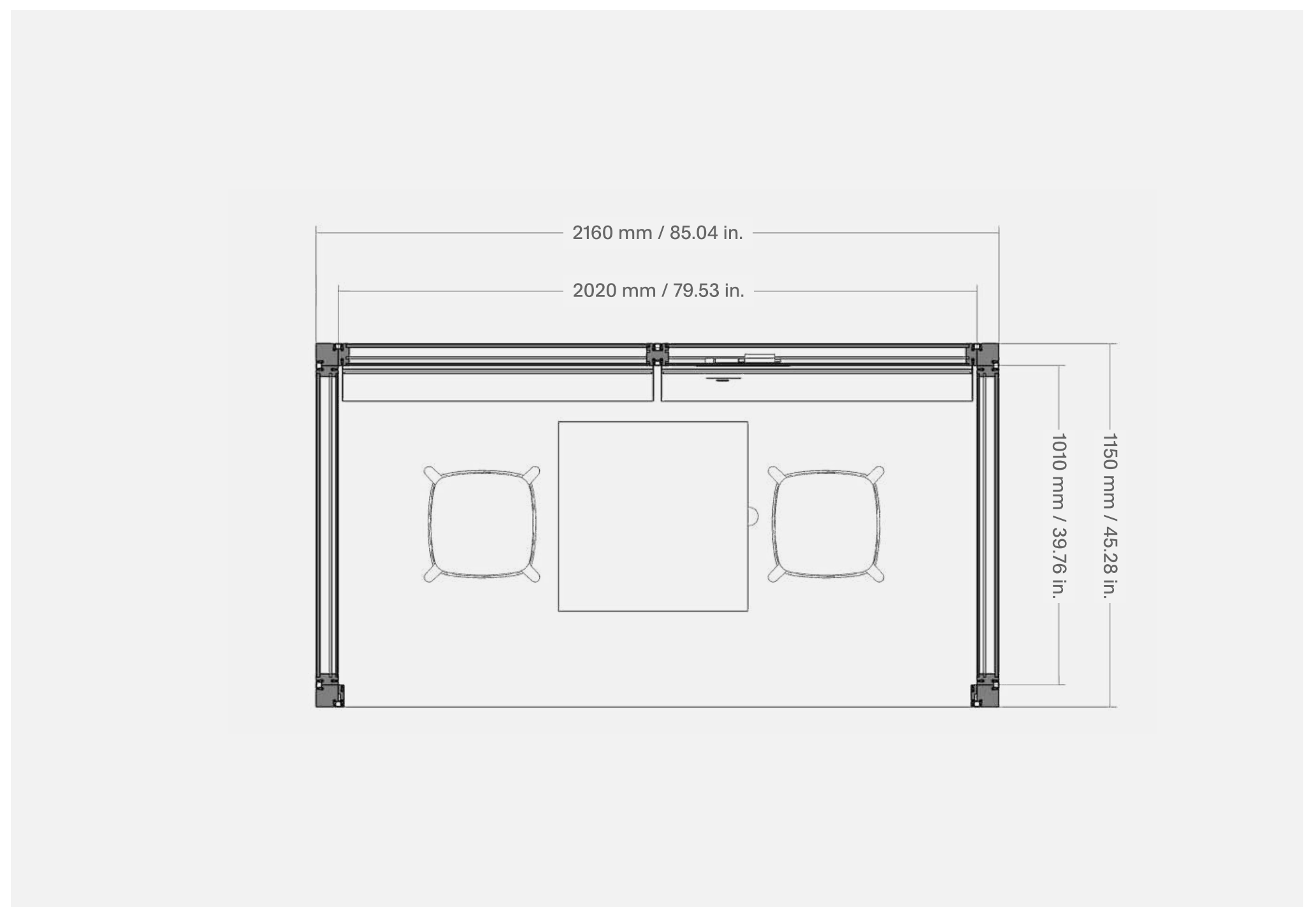
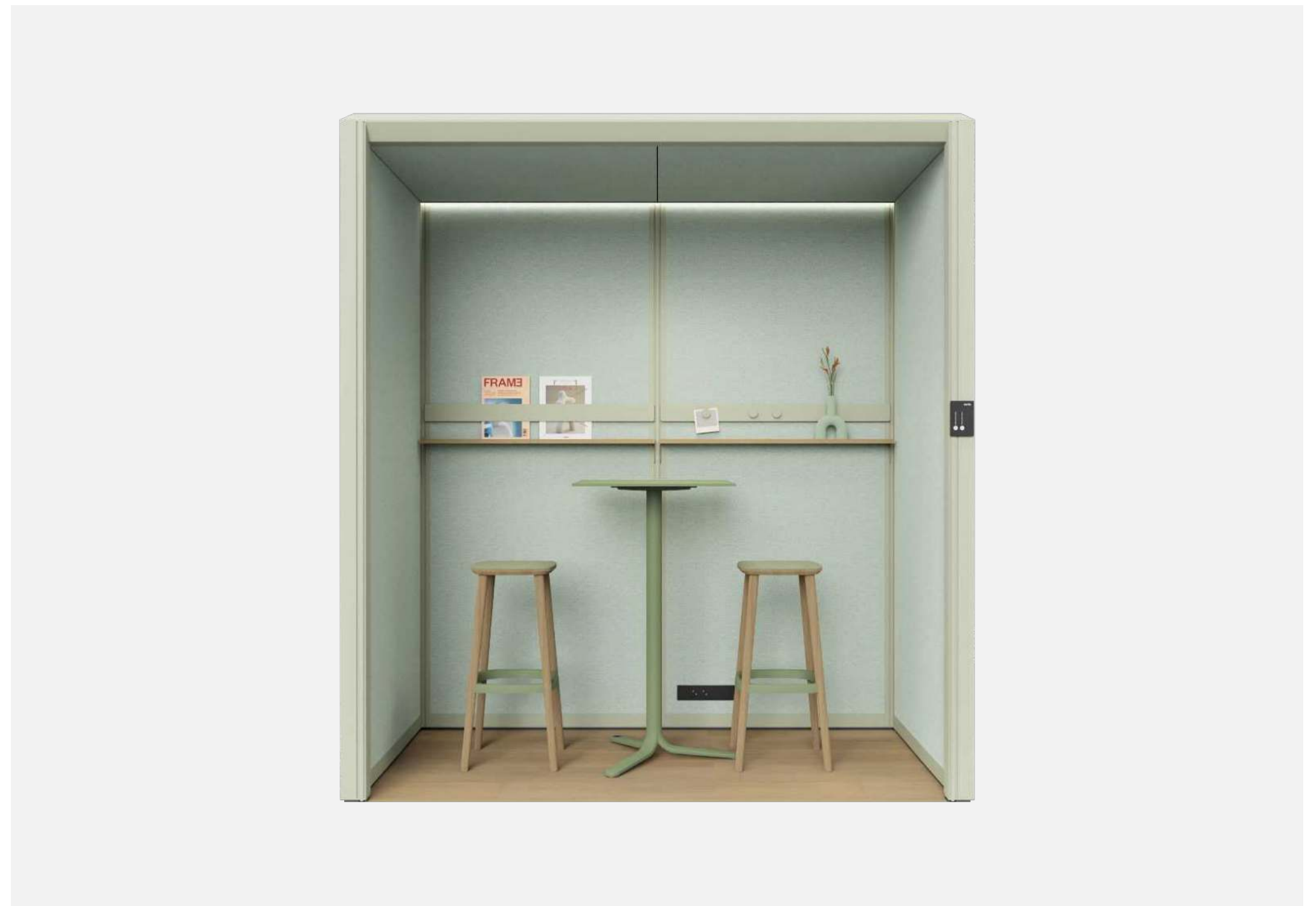
### System furniture and accessories

|    |               |
|----|---------------|
| 2x | shallow shelf |
| 2x | display rail  |
| 2x | magnet        |

### Third party fit-out

Listed products are purely exemplary and are not sold by Mute.

|    |                  |
|----|------------------|
| 1x | table by Pedrali |
| 2x | chair by Pedrali |



Interested in this unit?

[Ask for an offer →](#)

Need more options?

[See all rooms →](#)



Room like the one specified in this card can be combined into multifunctional hubs.

Elements of the Modular system may change.

Specification of the product will be verified while preparing an offer and may also be modified on the client's request.

# Modular | MUTE.

## Name Meet 3x1 p2.v2.0

Function  
Meet

Modular size  
3x1

Capacity  
2 people

Type  
Open

### Dimensions (W × L × H)

Exterior 3170 × 1150 × 2400 mm  
124.80 × 45.28 × 94.49 in.  
Interior 3030 × 1010 × 2250 mm  
119.29 × 39.76 × 88.58 in.

### Description

This room for meetups provides space up to 2 people. It's equipped with dedicated furniture and accessories, finished with third-party fit-outs.

It is a part of Modular Meet set – areas in plenty of sizes and capacities to host any gathering: team meet-ups, brainstorm, workshops, small talks, and more.

### Colors



### Construction

Also available without electricity

|    |  |
|----|--|
| 3x | solid wall module 1010 mm / 39.76 in.            |
| 2x | perforated metal wall module 1010 mm / 39.76 in. |
| 3x | ceiling module                                   |
| 1x | modular electric socket                          |
| 1x | control panel                                    |
| ✓  | integrated linear lamp                           |
| ✓  | overhanging ceiling profile                      |

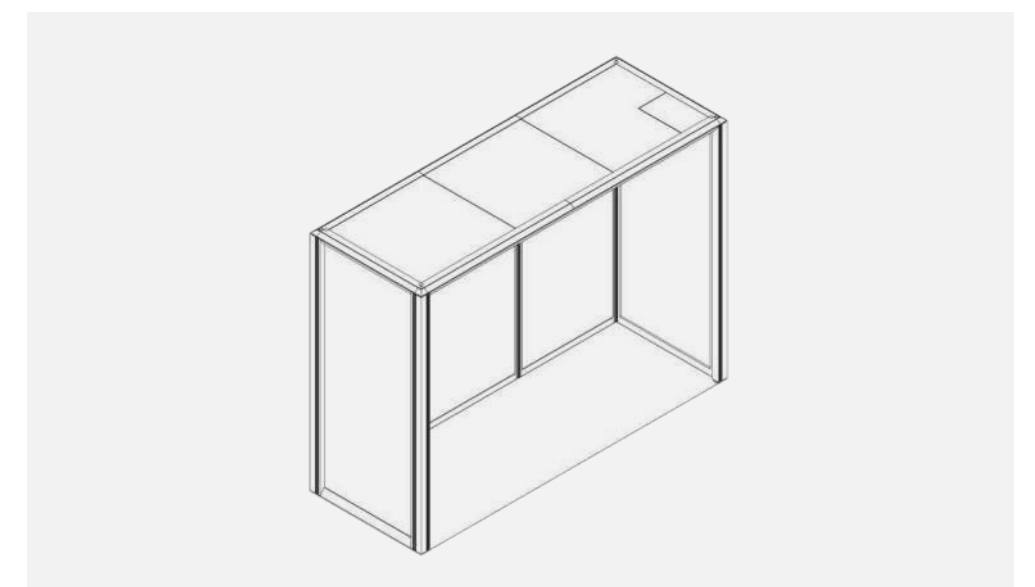
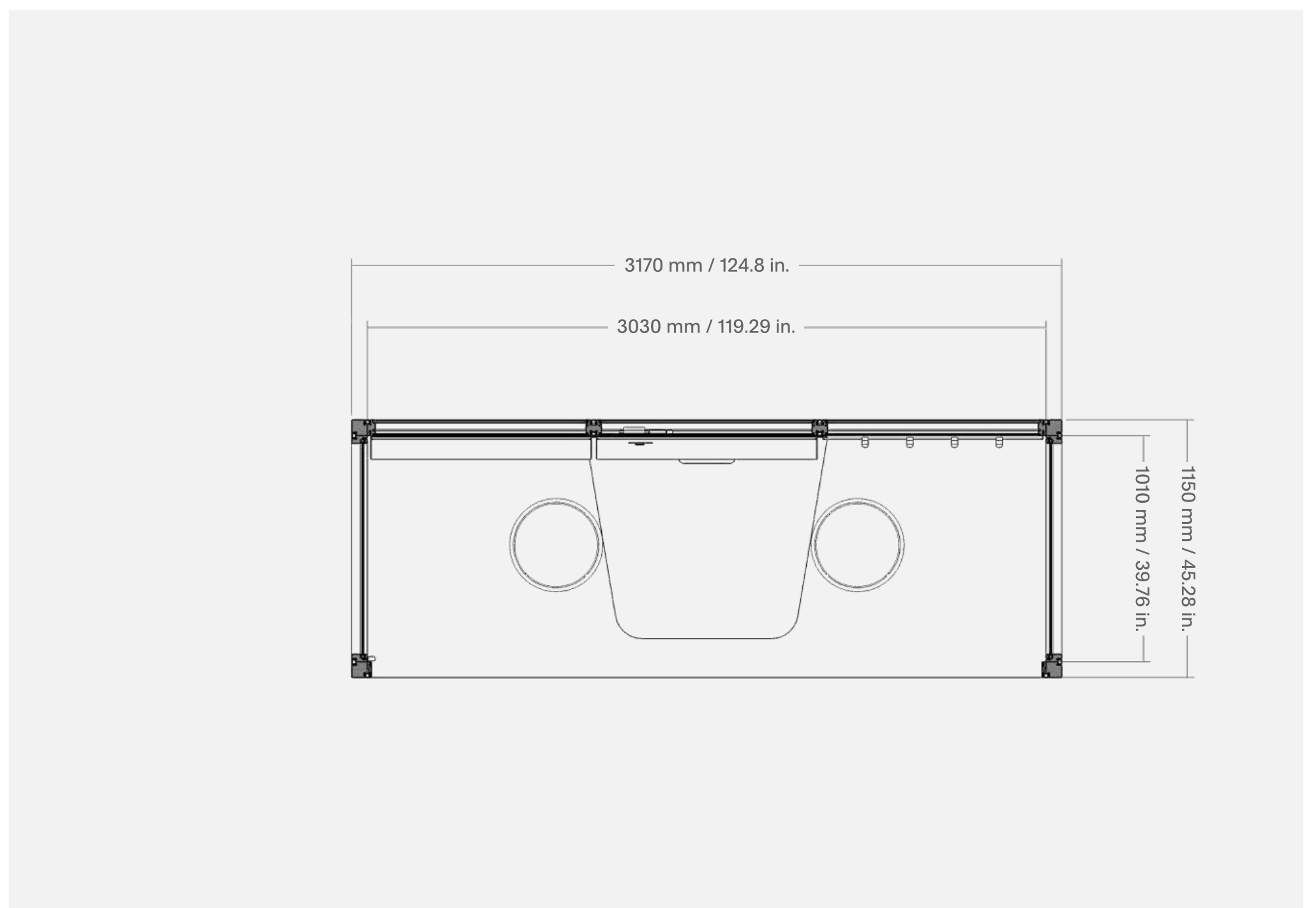
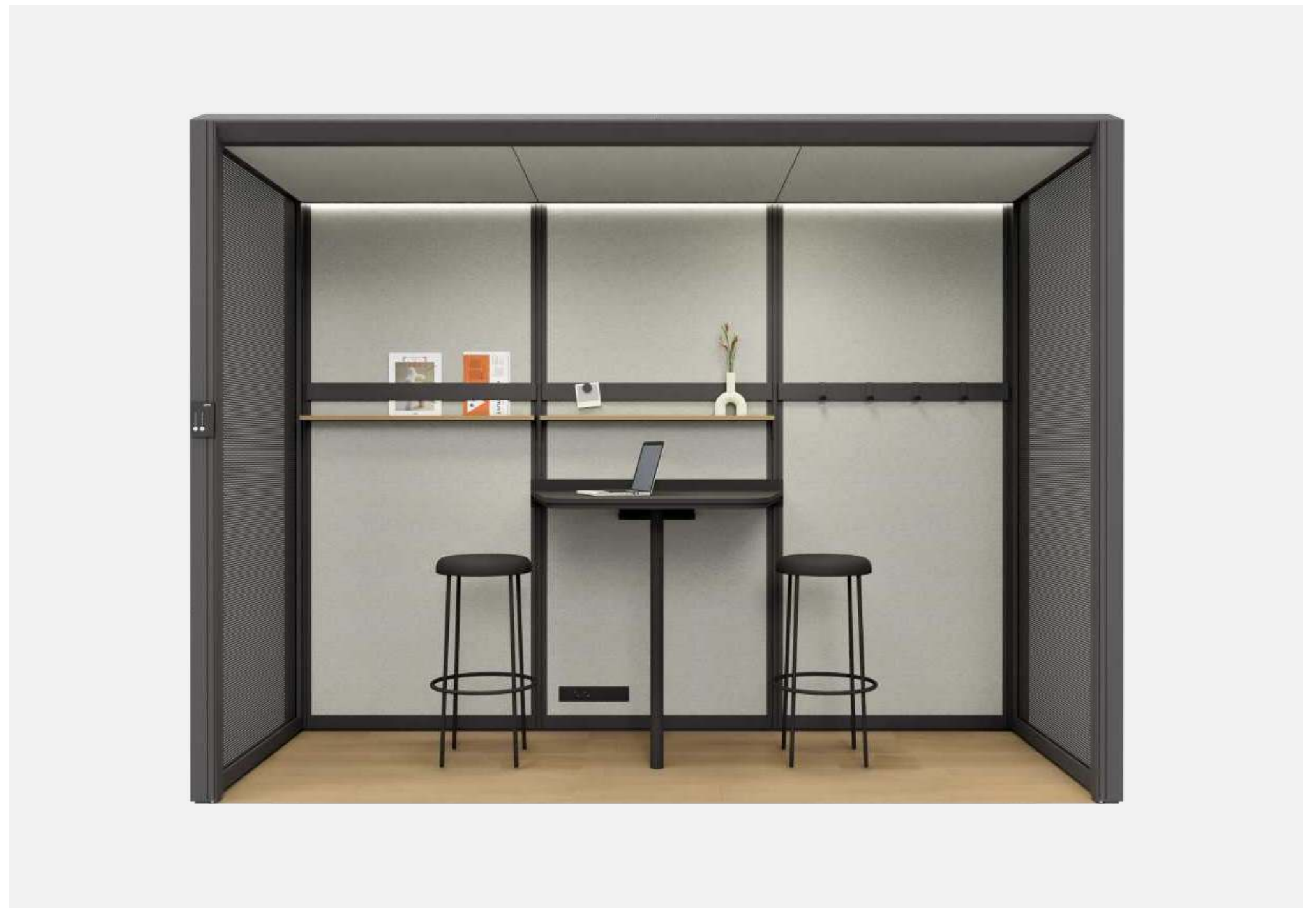
### System furniture and accessories

|    |                           |
|----|---------------------------|
| 2x | shallow shelf             |
| 1x | high table for 2-3 people |
| 3x | display rail              |
| 4x | display rail hook         |
| 2x | magnet                    |
| 2x | wall hook                 |

### Third party fit-out

Listed products are purely exemplary and are not sold by Mute.

|    |                |
|----|----------------|
| 2x | stool by Mitab |
|----|----------------|



Interested in this unit?

[Ask for an offer →](#)

Need more options?

[See all rooms →](#)



Room like the one specified in this card can be combined into multifunctional hubs.

Elements of the Modular system may change.

Specification of the product will be verified while preparing an offer and may also be modified on the client's request.

# Modular | MUTE.

## Name Meet 3×1 p3.v1.O

Function  
Meet

Modular size  
3×1

Capacity  
3 people

Type  
Open

### Dimensions (W × L × H)

Exterior 3170 × 1150 × 2400 mm  
124.80 × 45.28 × 94.49 in.  
Interior 3030 × 1010 × 2250 mm  
119.29 × 39.76 × 88.58 in.

### Description

This room for meetups provides space up to 3 people. It's equipped with dedicated furniture and accessories, finished with third-party fit-outs.

It is a part of Modular Meet set – areas in plenty of sizes and capacities to host any gathering: team meet-ups, brainstorming, workshops, small talks, and more.

### Colors



### Construction

Also available without electricity

|    |   |
|----|---|
| 3× | solid wall module 1010 mm / 39.76 in.   |
| 2× | slatted wall module 1010 mm / 39.76 in. |
| 3× | ceiling module                          |
| 2× | modular electric socket                 |
| 1× | control panel                           |
| ✓  | integrated linear lamp                  |
| ✓  | overhanging ceiling profile             |

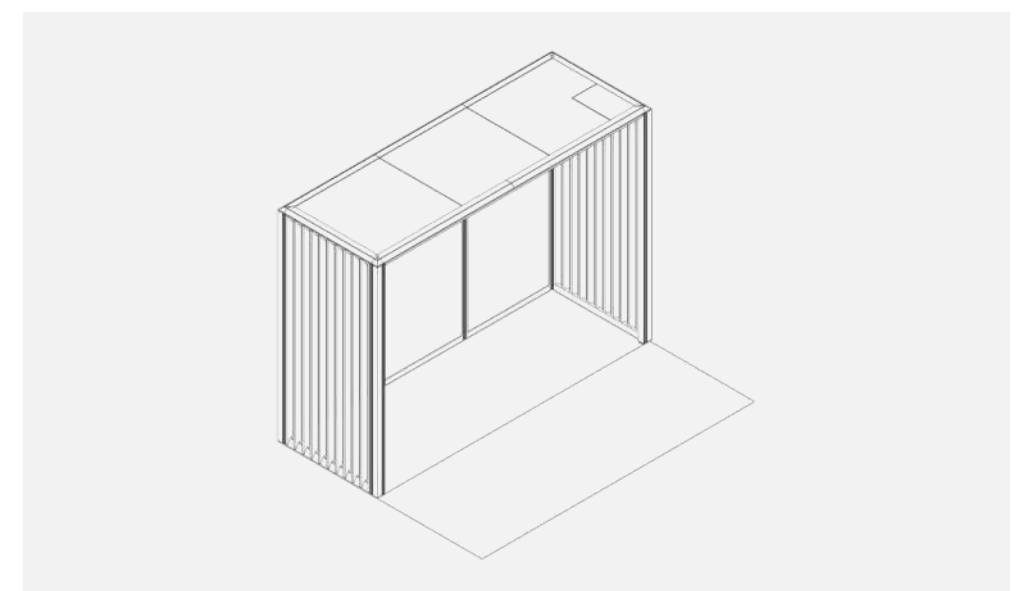
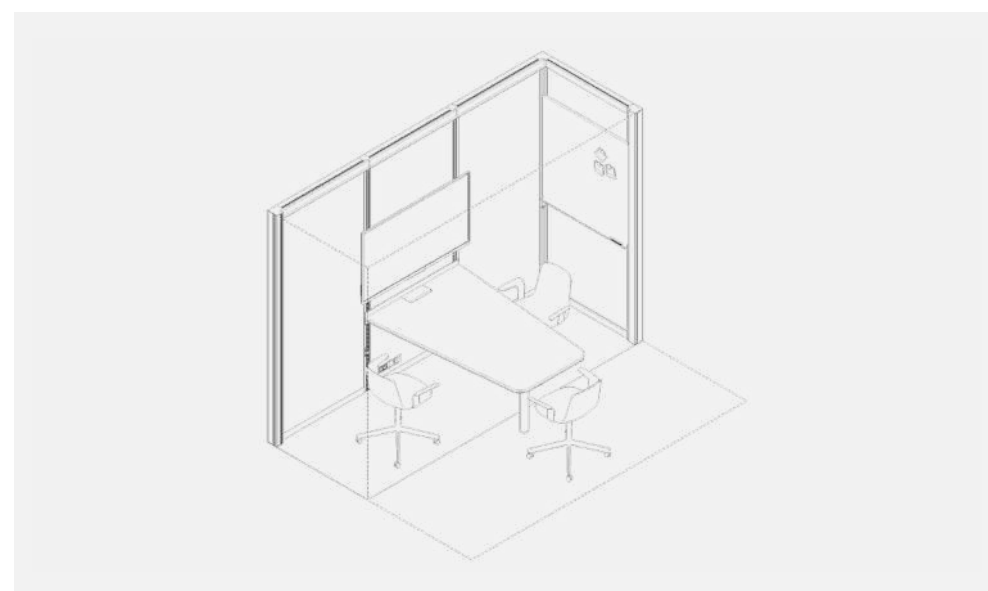
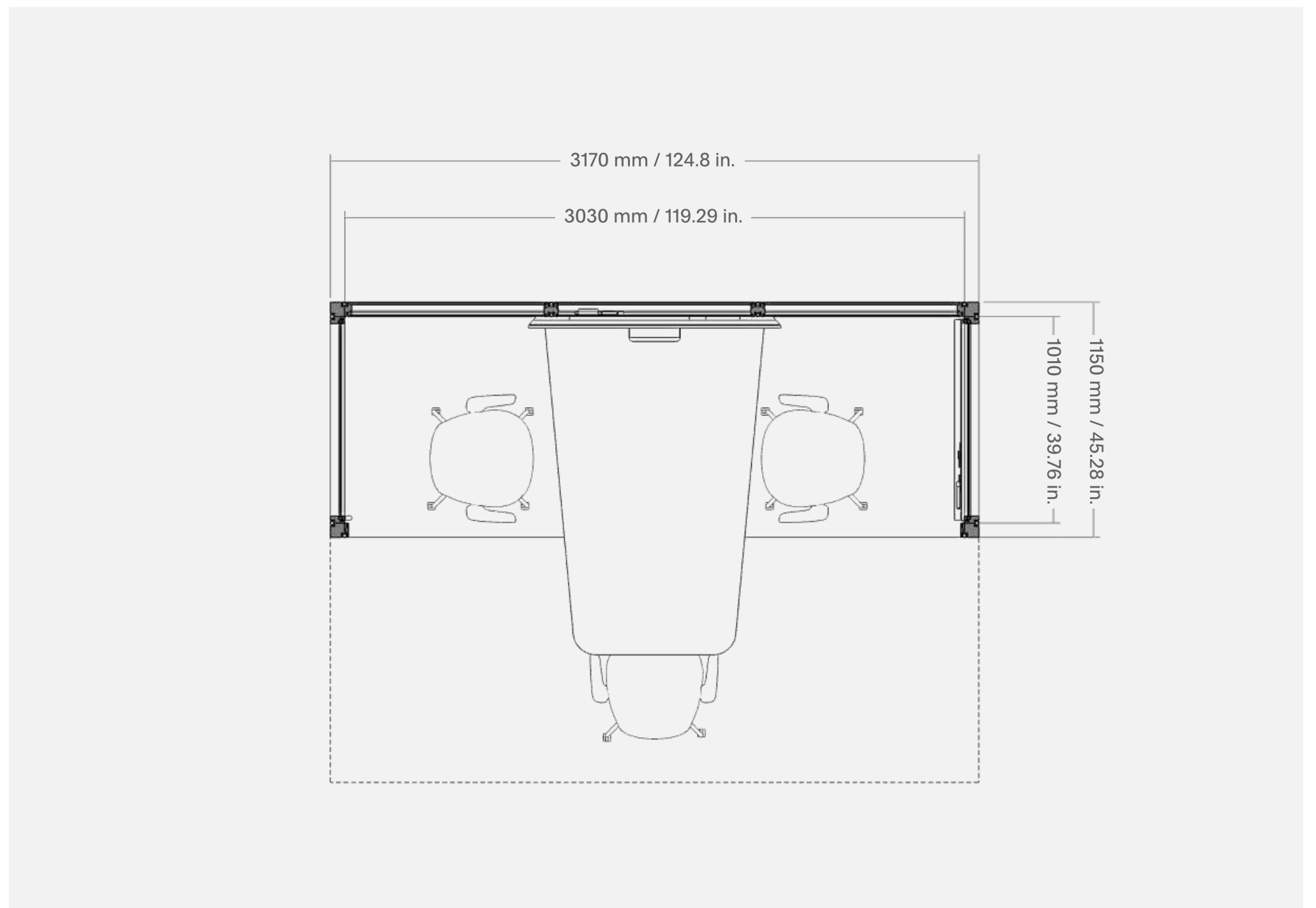
### System furniture and accessories

|    |                          |
|----|--------------------------|
| 1× | low table for 3-5 people |
| 1× | TV hanger                |
| 2× | wall hook                |
| 1× | whiteboard               |
| 4× | magnet                   |

### Third party fit-out

Listed products are purely exemplary and are not sold by Mute.

|    |                            |
|----|----------------------------|
| 3× | chair with castors by Enea |
|----|----------------------------|



Interested in this unit?

[Ask for an offer →](#)

Need more options?

[See all rooms →](#)



Room like the one specified in this card can be combined into multifunctional hubs.

Elements of the Modular system may change.

Specification of the product will be verified while preparing an offer and may also be modified on the client's request.

# Modular | MUTE.

Name

## Meet 3x2 p4.v1.0

Function

Meet

Modular size

3x2

Capacity

4 people

Type

Open

### Dimensions (W x L x H)

|          |                            |
|----------|----------------------------|
| Exterior | 3170 × 2160 × 2400 mm      |
|          | 124.80 × 85.04 × 94.49 in. |
| Interior | 3030 × 2020 × 2250 mm      |
|          | 119.29 × 79.53 × 88.58 in. |

### Description

This room for meetups provides space up to 4 people. It's equipped with dedicated furniture and accessories, finished with third-party fit-outs.

It is a part of Modular Meet set – areas in plenty of sizes and capacities to host any gathering: team meet-ups, brainstorming, workshops, small talks, and more.

### Colors



### Construction

Also available without electricity

|    |  |
|----|--|
| 3x | solid wall module 1010 mm / 39.76 in.        |
| 4x | fluted glass wall module 1010 mm / 39.76 in. |
| 6x | ceiling module                               |
| 1x | modular electric socket                      |
| 1x | control panel                                |
| 1x | Mika track lighting                          |
| 3x | Flask track lighting                         |
| ✓  | integrated linear lamp                       |
| ✓  | overhanging ceiling profile                  |

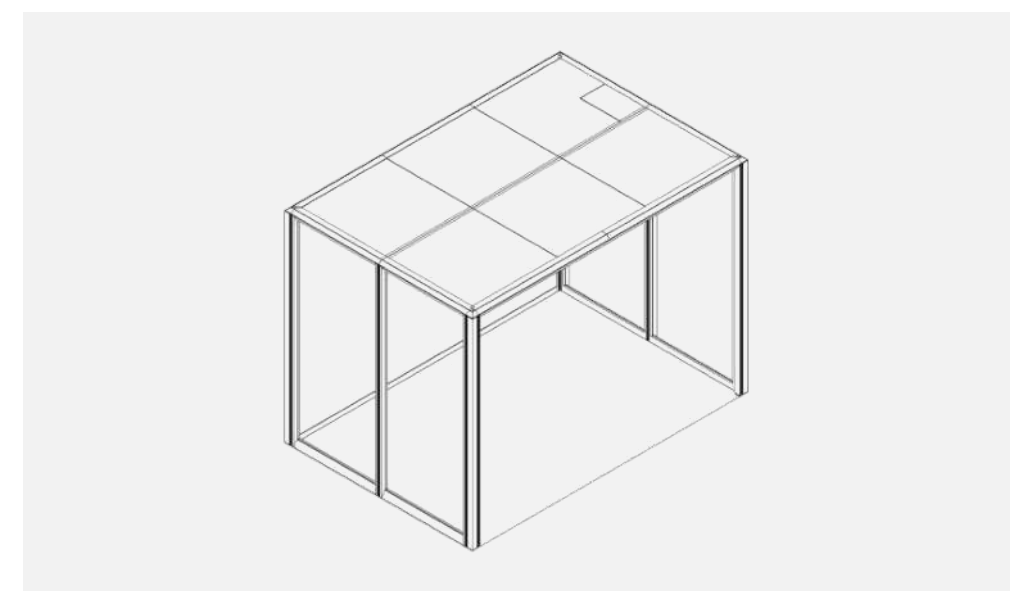
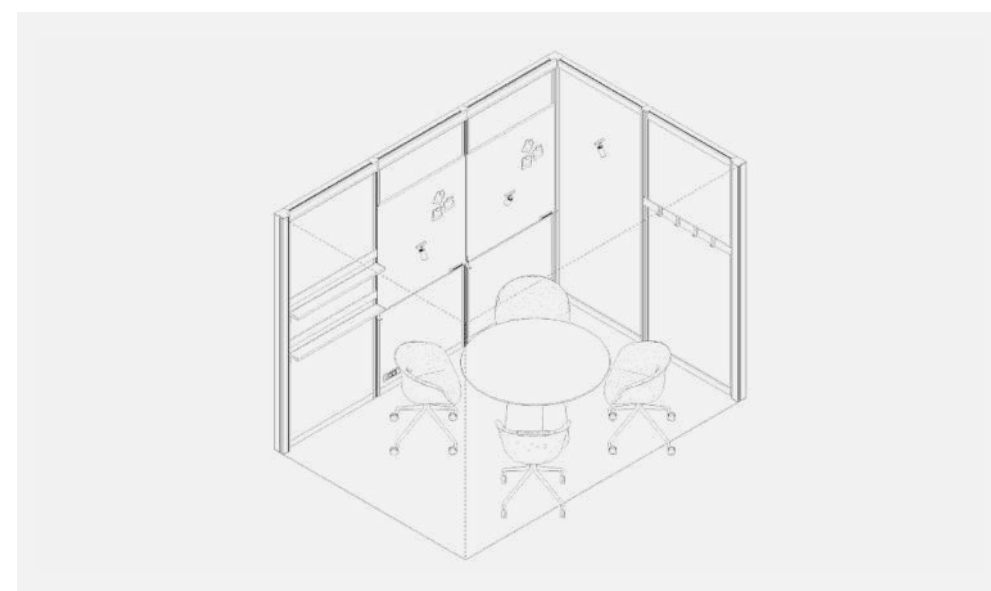
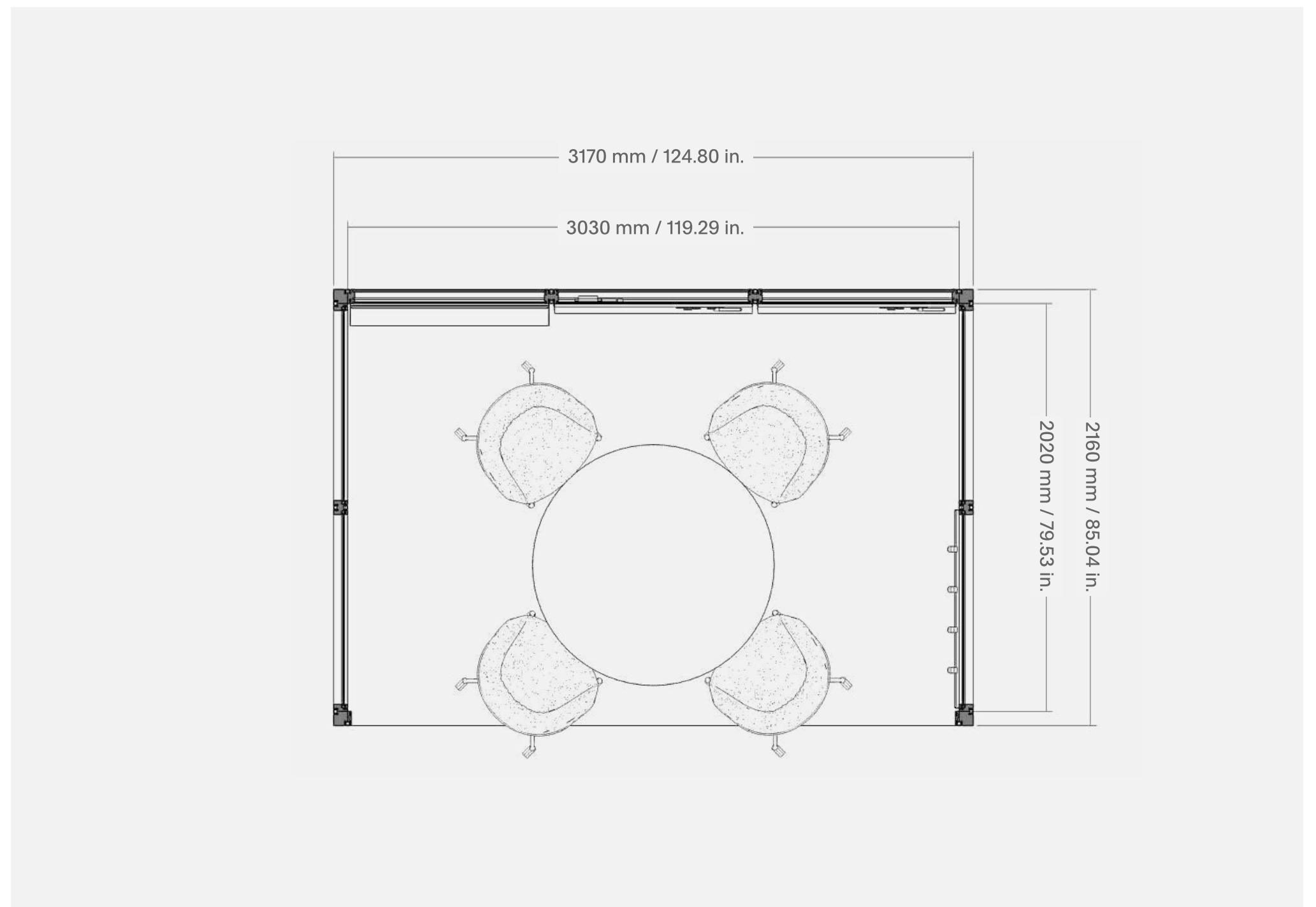
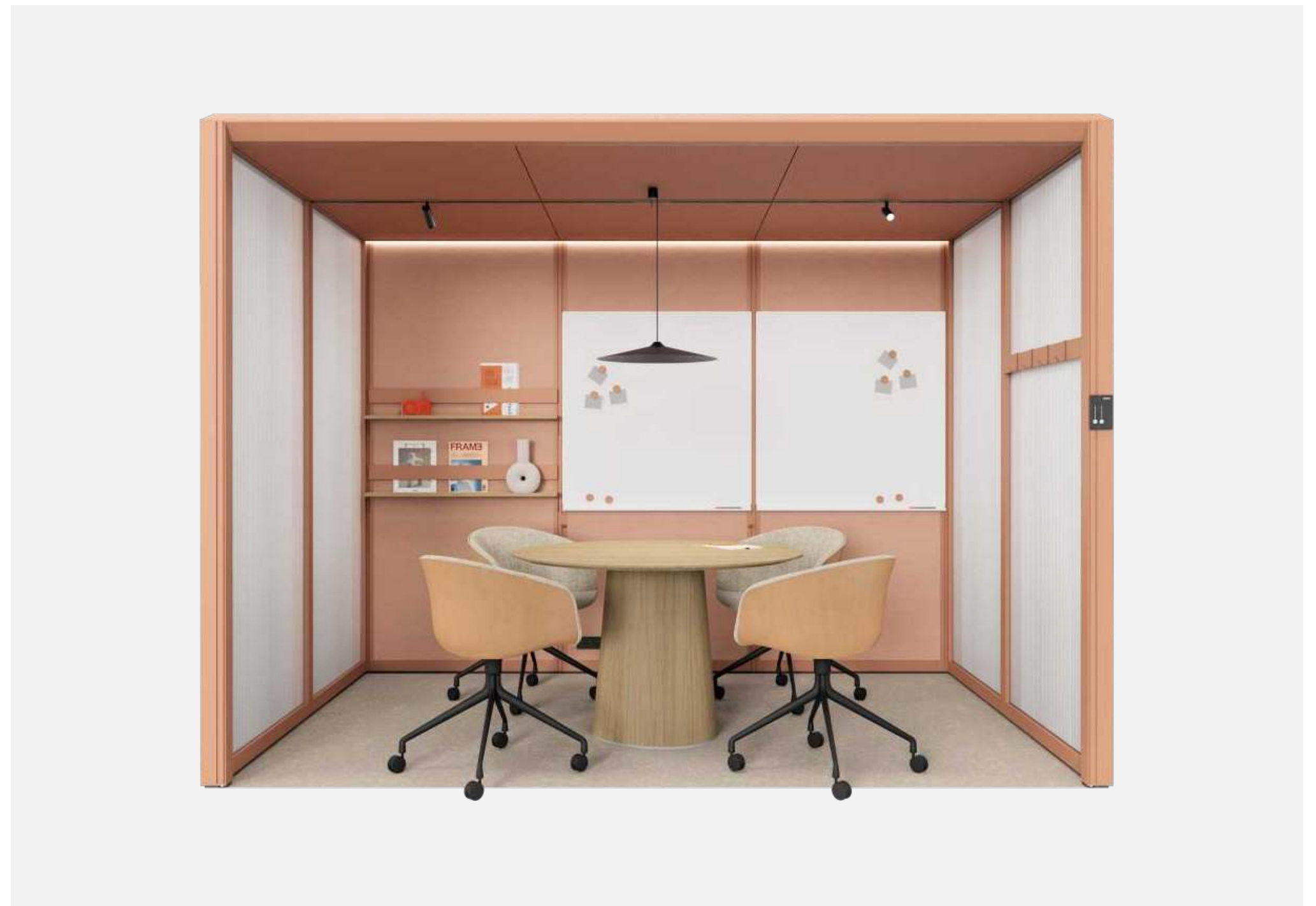
### System furniture and accessories

|    |                   |
|----|-------------------|
| 2x | shallow shelf     |
| 2x | whiteboard        |
| 3x | display rail      |
| 4x | display rail hook |
| 8x | magnet            |

### Third party fit-out

Listed products are purely exemplary and are not sold by Mute.

|    |                                    |
|----|------------------------------------|
| 1x | table ø1200 mm / ø47.24 in. by Ton |
| 4x | chair with castors by Enea         |



Interested in this unit?

[Ask for an offer →](#)

Need more options?

[See all rooms →](#)



Room like the one specified in this card can be combined into multifunctional hubs.

Elements of the Modular system may change.

Specification of the product will be verified while preparing an offer and may also be modified on the client's request.



# Modular | MUTE.

Name

## Meet 3x3 p3.v1.C

Function

Meet

Modular size

3x3

Capacity

3 people

Type

Closed

### Dimensions (W x L x H)

|          |                             |
|----------|-----------------------------|
| Exterior | 3170 x 3170 x 2400 mm       |
|          | 124.80 x 124.80 x 94.49 in. |
| Interior | 3030 x 3030 x 2250 mm       |
|          | 119.29 x 119.29 x 88.58 in. |

### Description

This room for meetups provides space up to 3 people. It's equipped with dedicated furniture and accessories, finished with third-party fit-outs.

It is a part of Modular Meet set – areas in plenty of sizes and capacities to host any gathering: team meet-ups, brainstorm, workshops, small talks, and more.

### Colors



### Construction

|    |  |    |                         |
|----|--|----|-------------------------|
| 6x | solid wall module<br>1010 mm / 39.76 in. | 1x | control panel           |
|    |  | 2x | modular electric socket |
| 5x | glass wall module<br>1010 mm / 39.76 in. | 2x | occupancy sensor        |
|    |  | 4x | Flask track lighting    |
| 1x | left-hand glass door                     | 2x | Myco track lighting     |
| 5x | ceiling module                           | ✓  | integrated linear lamp  |
| 4x | ventilation ceiling module               |    |                         |

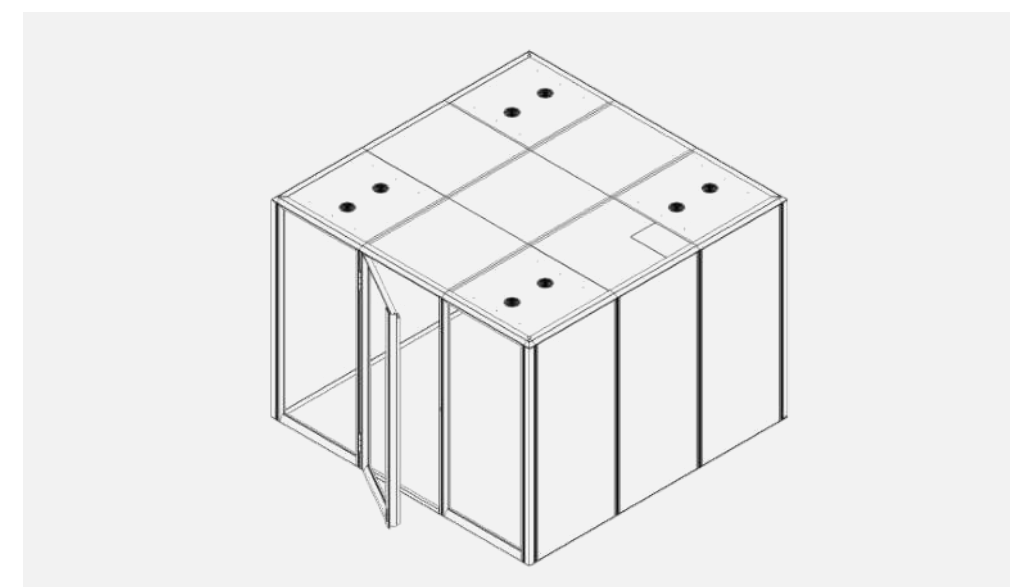
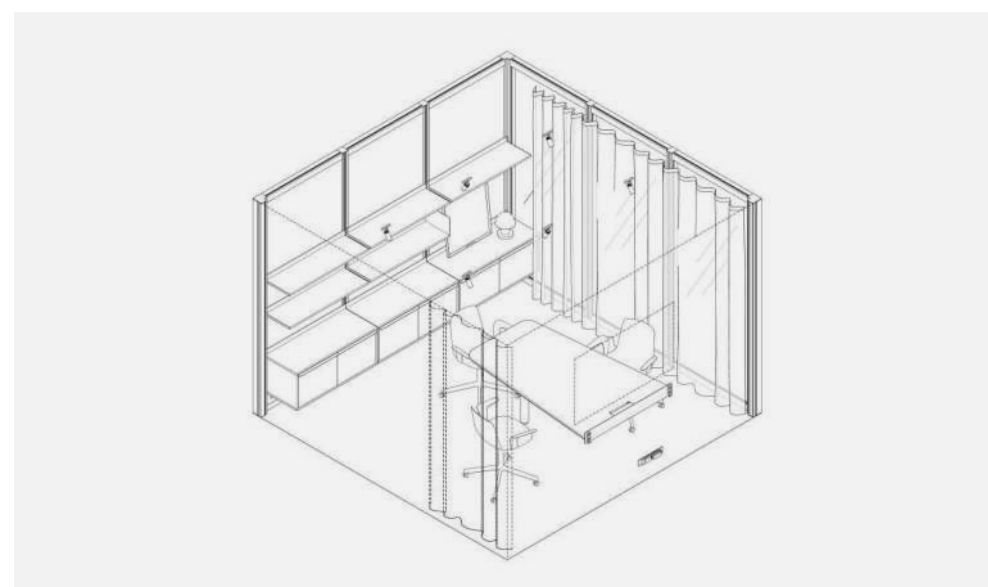
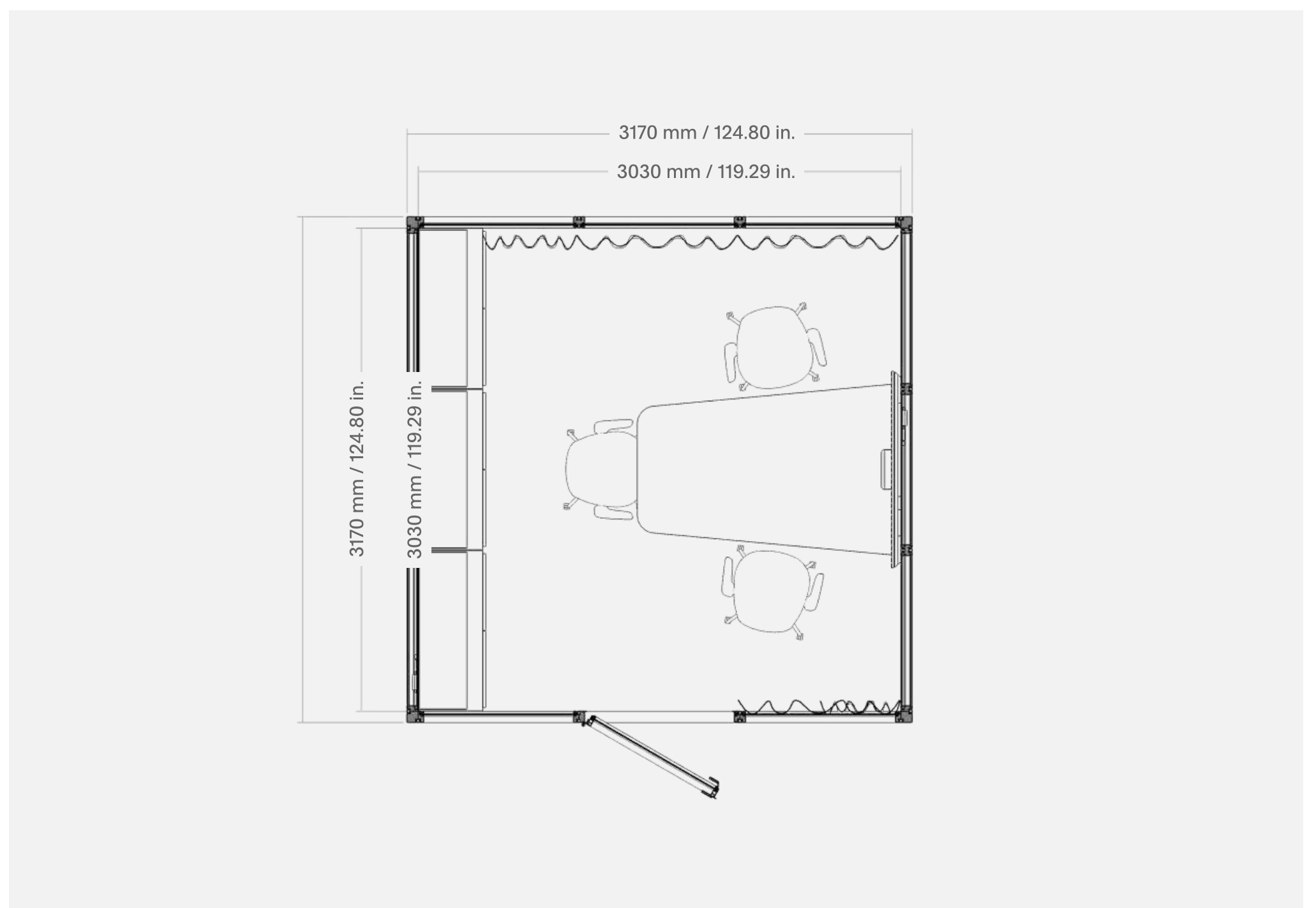
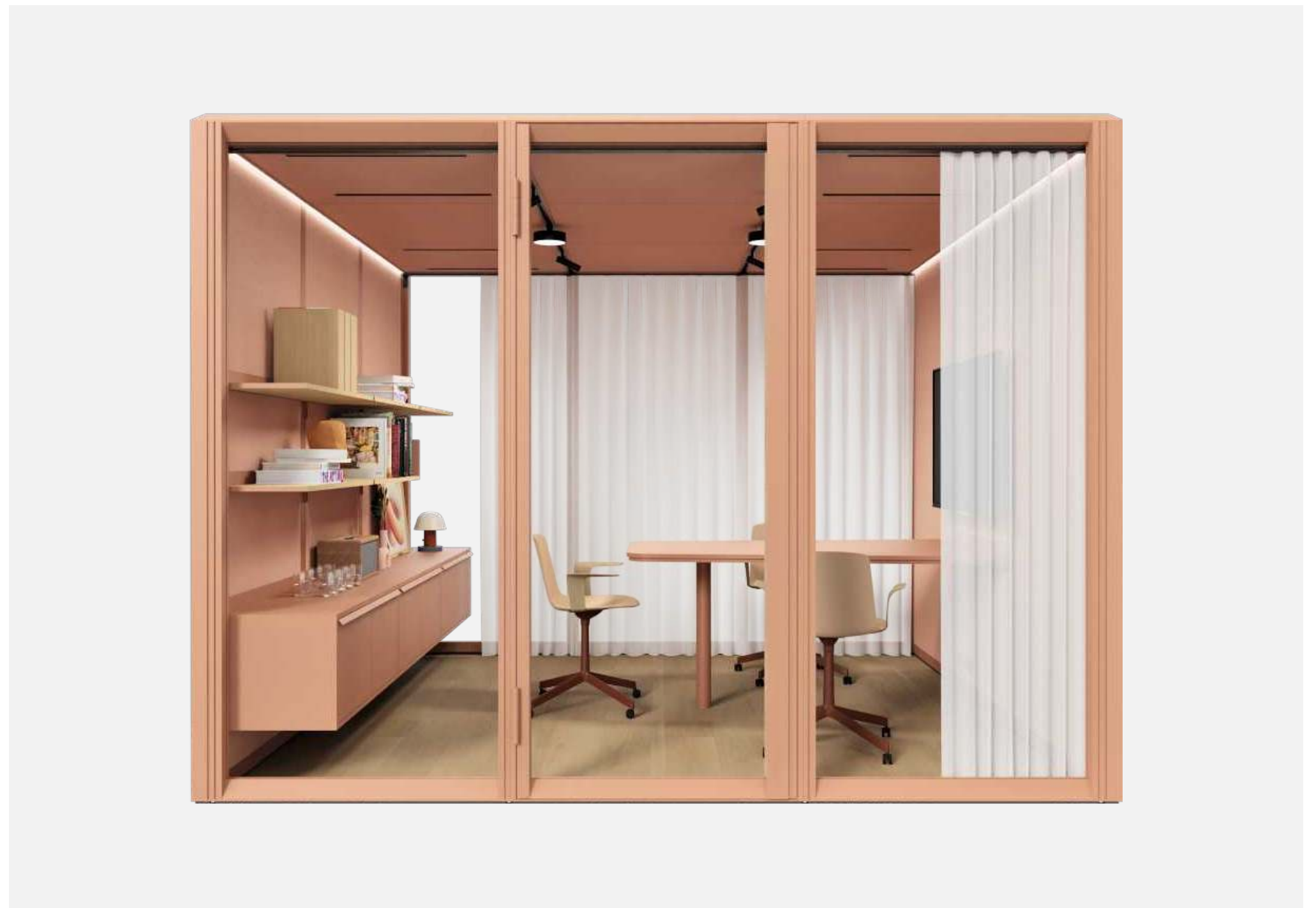
### System furniture and accessories

|    |                           |    |                          |
|----|---------------------------|----|--------------------------|
| ✓  | curtain rail              | 1x | low table for 3-5 people |
| ✓  | curtain                   | 1x | tv hanger                |
| 4x | deep shelf                | 2x | wall hook                |
| 1x | deep shelf, right bookend | 1x | display stand            |
| 3x | hinged door cabinet       |    |                          |

### Third party fit-out

Listed products are purely exemplary and are not sold by Mute.

|    |                    |
|----|--------------------|
| 3x | chair by Enea      |
| 1x | lamp by &Tradition |



Interested in this unit?

[Ask for an offer →](#)

Need more options?

[See all rooms →](#)



Room like the one specified in this card can be combined into multifunctional hubs.

Elements of the Modular system may change.

Specification of the product will be verified while preparing an offer and may also be modified on the client's request.

# Modular | MUTE.

Name

## Meet 3x3 p4.v1.C

Function

Meet

Modular size

3x3

Capacity

4 people

Type

Closed

### Dimensions (W x L x H)

|          |                             |
|----------|-----------------------------|
| Exterior | 3170 x 3170 x 2400 mm       |
|          | 124.80 x 124.80 x 94.49 in. |
| Interior | 3030 x 3030 x 2250 mm       |
|          | 119.29 x 119.29 x 88.58 in. |

### Description

This room for meetups provides space up to 4 people. It's equipped with dedicated furniture and accessories, finished with third-party fit-outs.

It is a part of Modular Meet set – areas in plenty of sizes and capacities to host any gathering: team meet-ups, brainstorming, workshops, small talks, and more.

### Colors



### Construction

|    |  |    |                         |
|----|--|----|-------------------------|
| 9x | solid wall module<br>1010 mm / 39.76 in. | 2x | modular electric socket |
|    |  | 1x | control panel           |
| 2x | glass wall module<br>1010 mm / 39.76 in. | 2x | occupancy sensor        |
|    |  | 6x | Flask track lighting    |
| 1x | right-hand glass door                    | ✓  | integrated linear lamp  |
| 5x | ceiling module                           |    |                         |
| 4x | ventilation ceiling module               |    |                         |

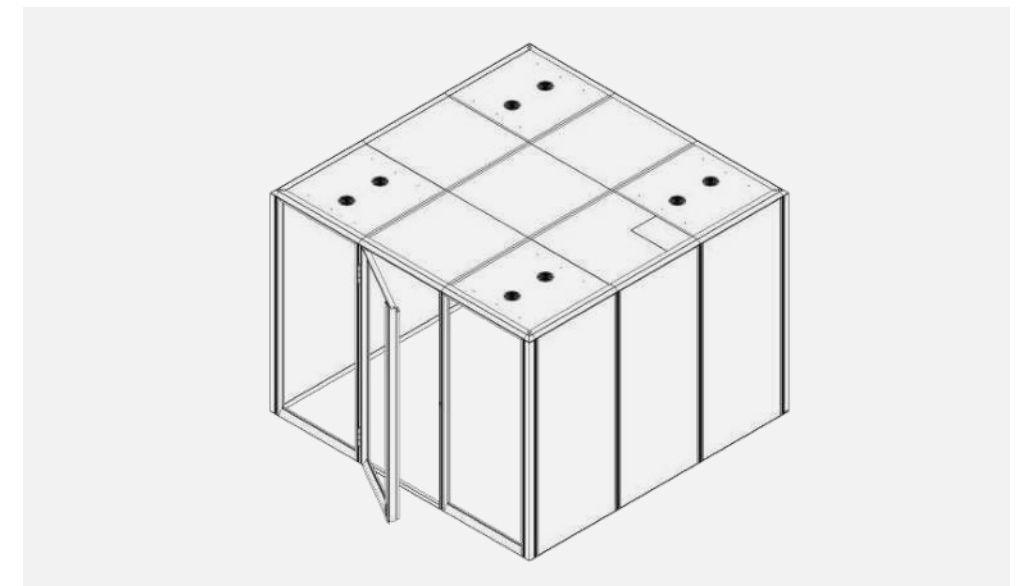
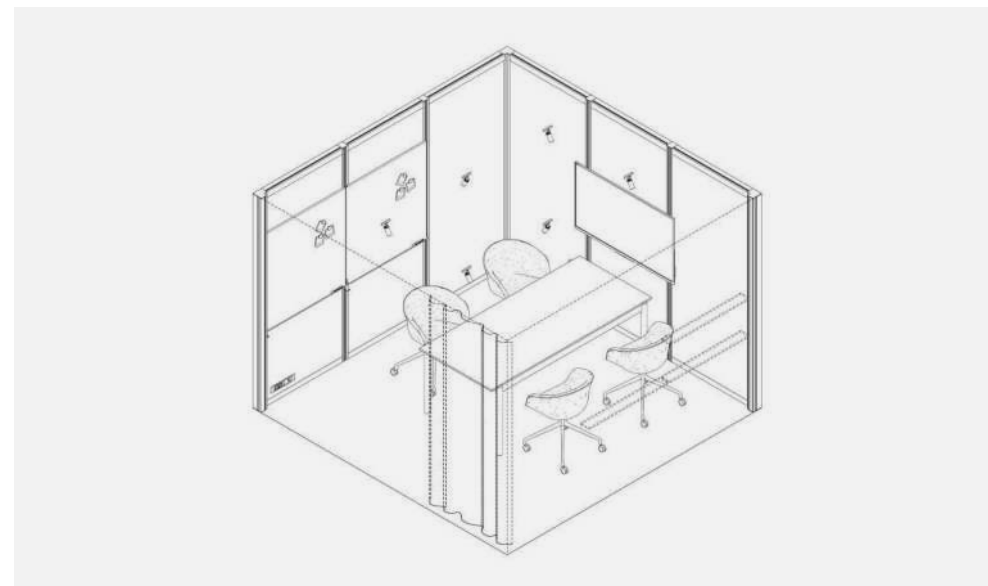
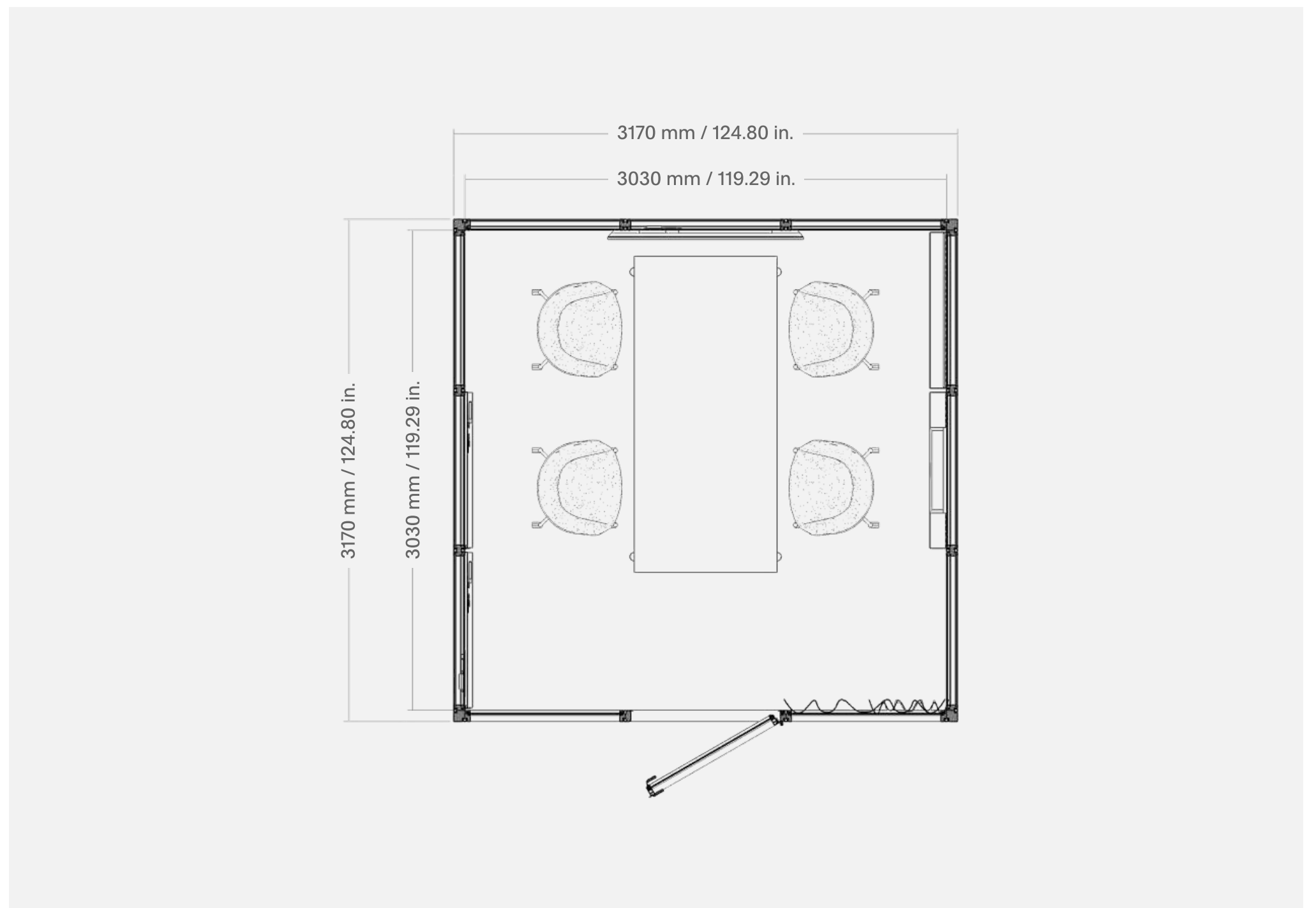
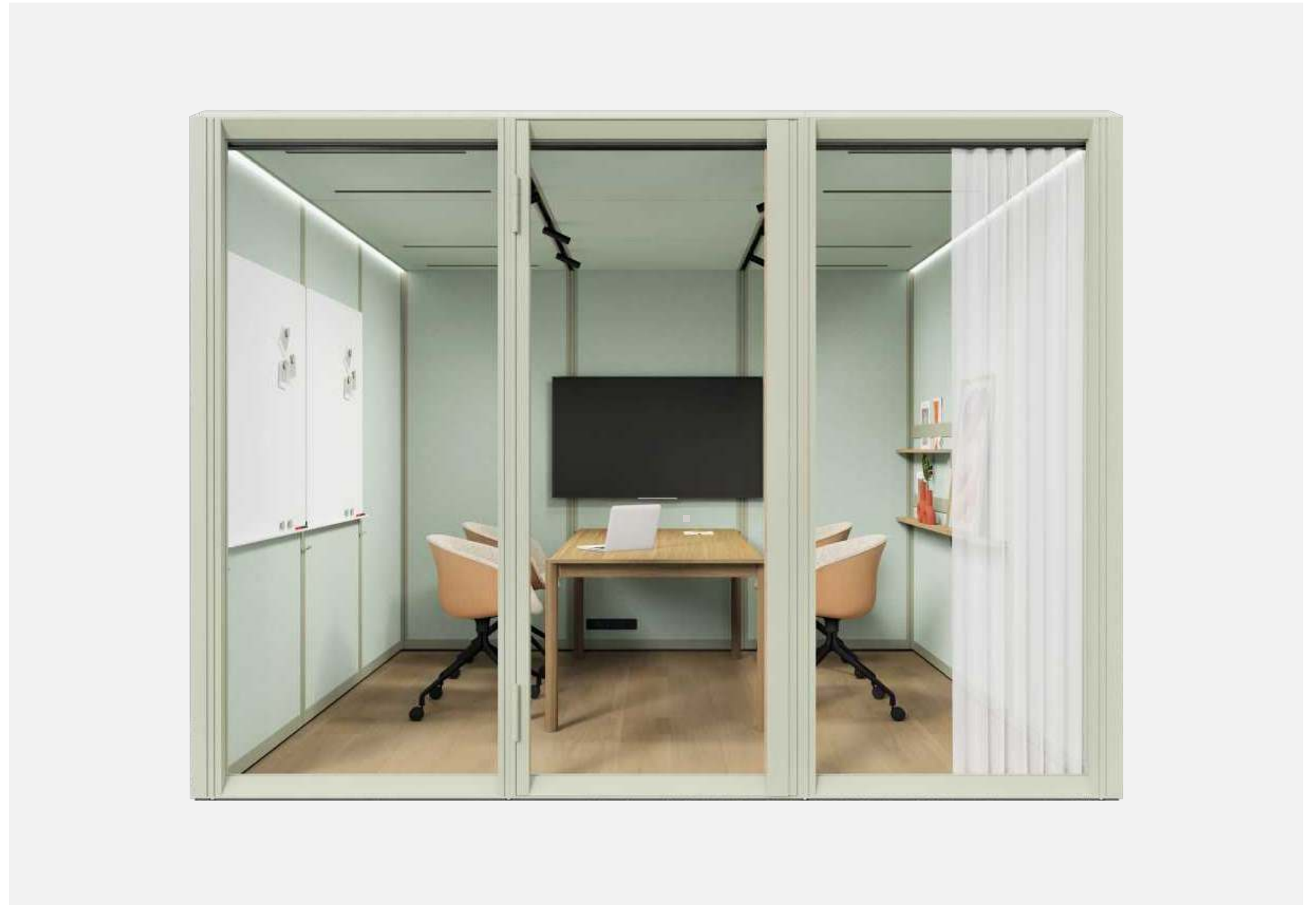
### System furniture and accessories

|    |               |    |               |
|----|---------------|----|---------------|
| ✓  | curtain rail  | 2x | display rail  |
| ✓  | curtain       | 8x | magnet        |
| 3x | shallow shelf | 2x | wall hook     |
| 1x | tv hanger     | 1x | display stand |
| 2x | whiteboard    |    |               |

### Third party fit-out

Listed products are purely exemplary and are not sold by Mute.

|    |                |
|----|----------------|
| 1x | table by Muuto |
| 4x | chair by Hay   |



Interested in this unit?

[Ask for an offer →](#)

Need more options?

[See all rooms →](#)



Room like the one specified in this card can be combined into multifunctional hubs.

Elements of the Modular system may change.

Specification of the product will be verified while preparing an offer and may also be modified on the client's request.

# Modular | MUTE.

Name  
**Meet 3x3 p4.v2.C**

Function  
**Meet**

Modular size  
**3x3**

Capacity  
**4 people**

Type  
**Closed**

## Dimensions (W x L x H)

Exterior 3170 x 3170 x 2400 mm  
124.80 x 124.80 x 94.49 in.  
Interior 3030 x 3030 x 2250 mm  
119.29 x 119.29 x 88.58 in.

## Description

This room for meetups provides space up to 4 people. It's equipped with dedicated furniture and accessories, finished with third-party fit-outs.

It is a part of Modular Meet set – areas in plenty of sizes and capacities to host any gathering: team meet-ups, brainstorm, workshops, small talks, and more.

## Colors



## Construction

|    |  |    |                         |
|----|--|----|-------------------------|
| 6x | solid wall module<br>1010 mm / 39.76 in. | 2x | modular electric socket |
|    |  | 1x | control panel           |
| 5x | glass wall module<br>1010 mm / 39.76 in. | 2x | occupancy sensor        |
|    |  | 6x | Myco track lighting     |
| 1x | left-hand glass door                     | ✓  | integrated linear lamp  |
| 5x | ceiling module                           |    |                         |
| 4x | ventilation ceiling module               |    |                         |

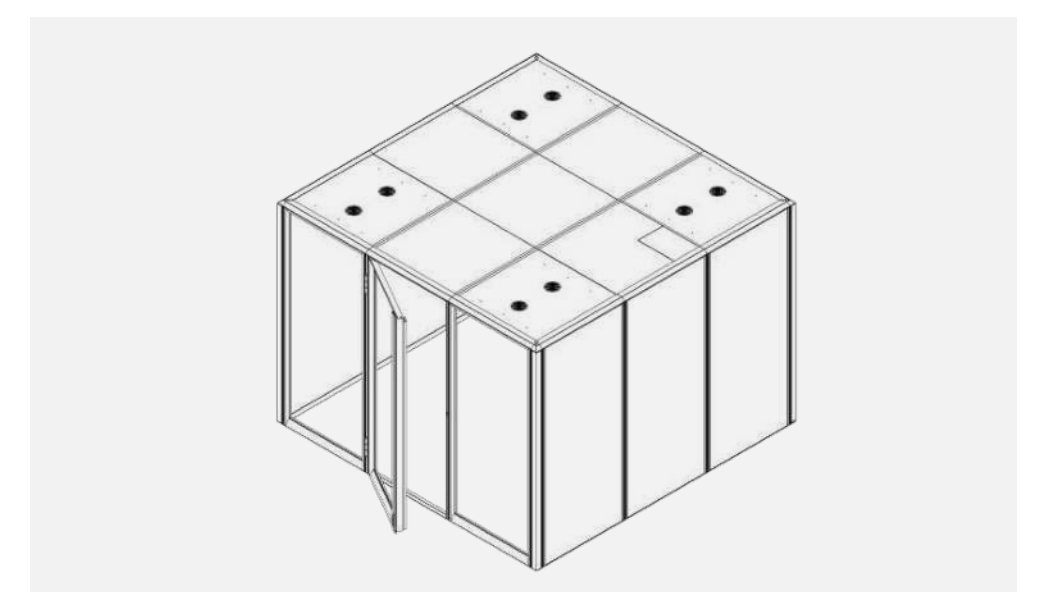
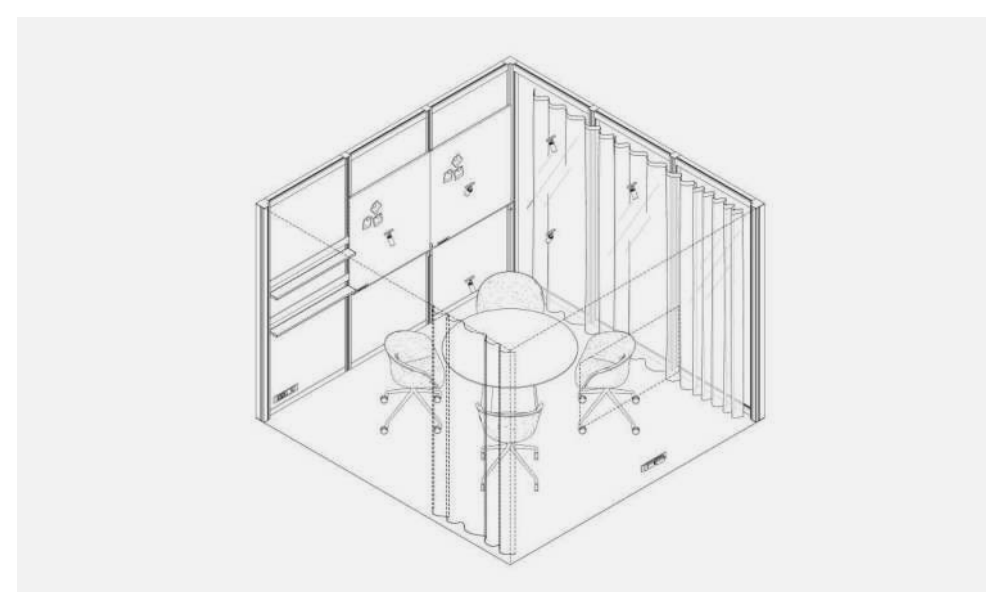
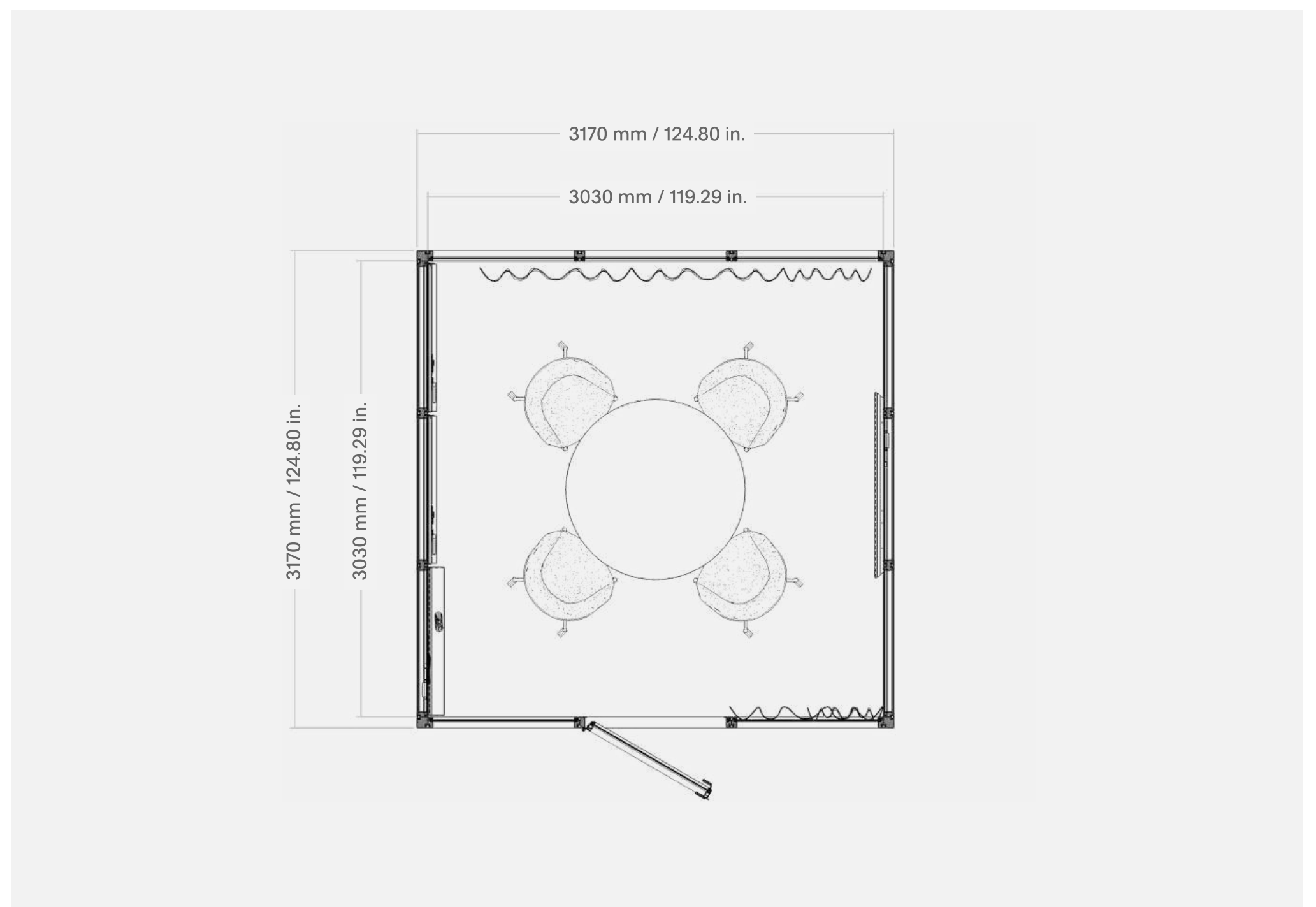
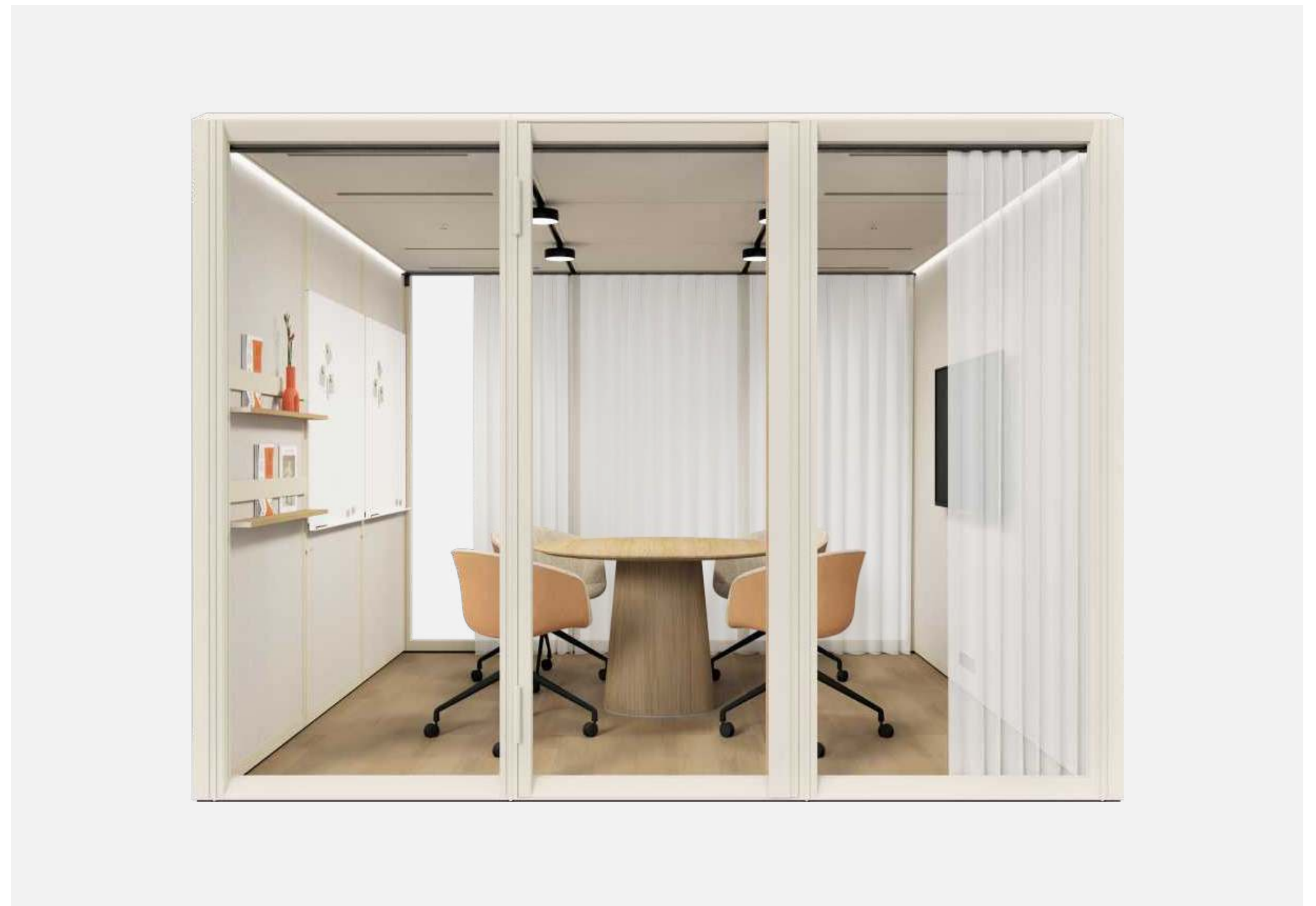
## System furniture and accessories

|    |               |
|----|---------------|
| ✓  | curtain rail  |
| ✓  | curtain       |
| 2x | shallow shelf |
| 1x | tv hanger     |
| 2x | whiteboard    |
| 2x | display rail  |
| 8x | magnet        |
| 2x | wall hook     |

## Third party fit-out

Listed products are purely exemplary and are not sold by Mute.

|    |                                    |
|----|------------------------------------|
| 1x | table Ø1200 mm / Ø47.24 in. by Ton |
| 4x | chair by Hay                       |



Interested in this unit?

[Ask for an offer →](#)

Need more options?

[See all rooms →](#)



Room like the one specified in this card can be combined into multifunctional hubs.

Elements of the Modular system may change.

Specification of the product will be verified while preparing an offer and may also be modified on the client's request.

# Modular | MUTE.


## Name Meet 3x3 p4.v4.O

Function  
Meet

Modular size  
3x3

Capacity  
4 people

Type  
Open

 Requires support wall

### Dimensions (W x L x H)

Exterior 3170 x 3170 x 2400 mm  
124.80 x 124.80 x 94.49 in.  
Interior 3030 x 3030 x 2250 mm  
119.29 x 119.29 x 88.58 in.

### Description

This room for meetups provides space up to 4 people. It's equipped with dedicated furniture and accessories, finished with third-party fit-outs.

It is a part of Modular Meet set – areas in plenty of sizes and capacities to host any gathering: team meet-ups, brainstorm, workshops, small talks, and more.

### Colors



### Construction

Also available without electricity

|    |                                       |
|----|---------------------------------------|
| 6x | solid wall module 1010 mm / 39.76 in. |
| 1x | modular electric socket               |
| 1x | control panel                         |
| 6x | Flask track lighting                  |
| ✓  | overhanging ceiling profile           |

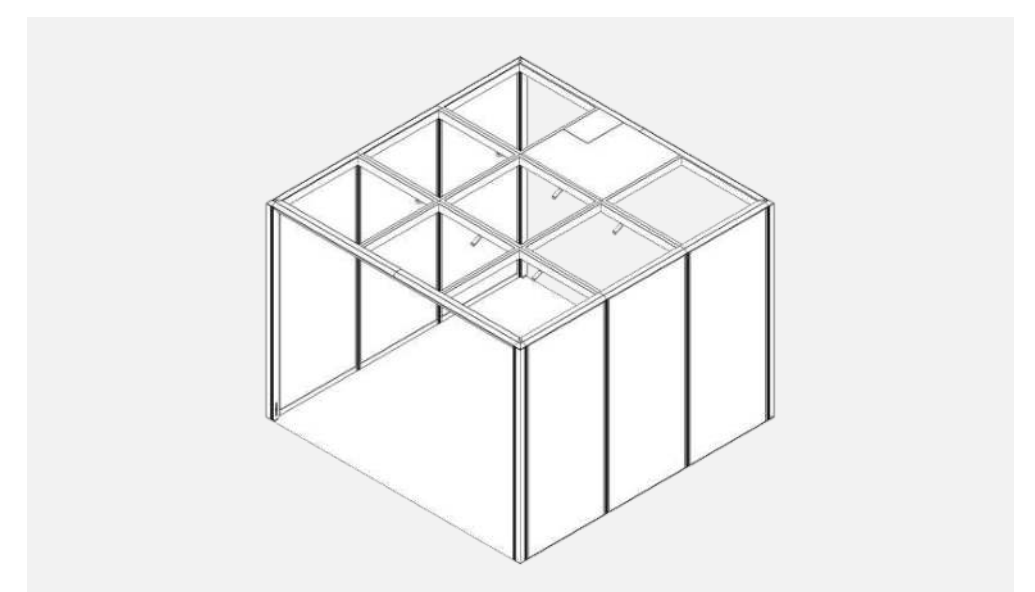
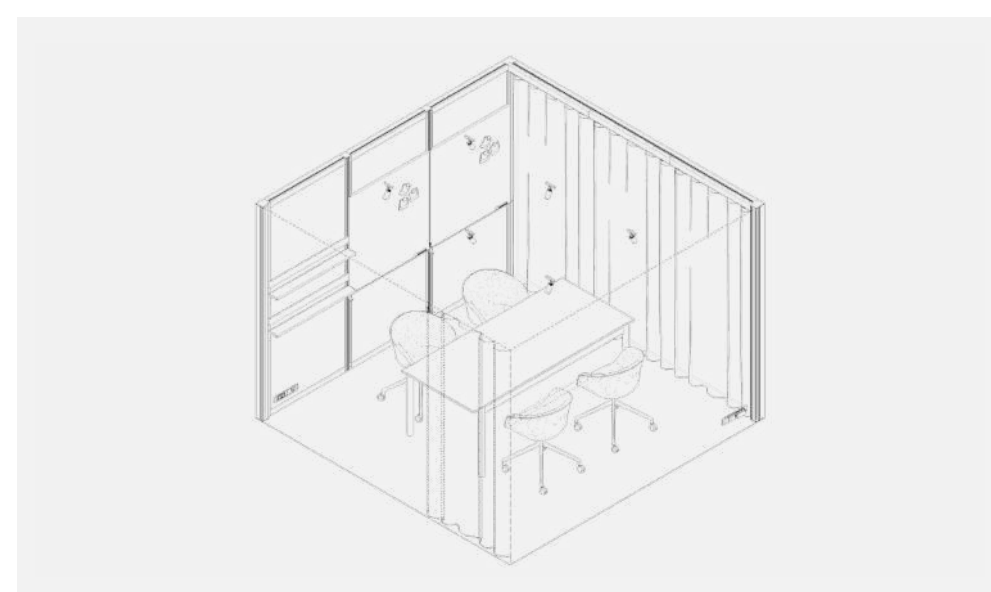
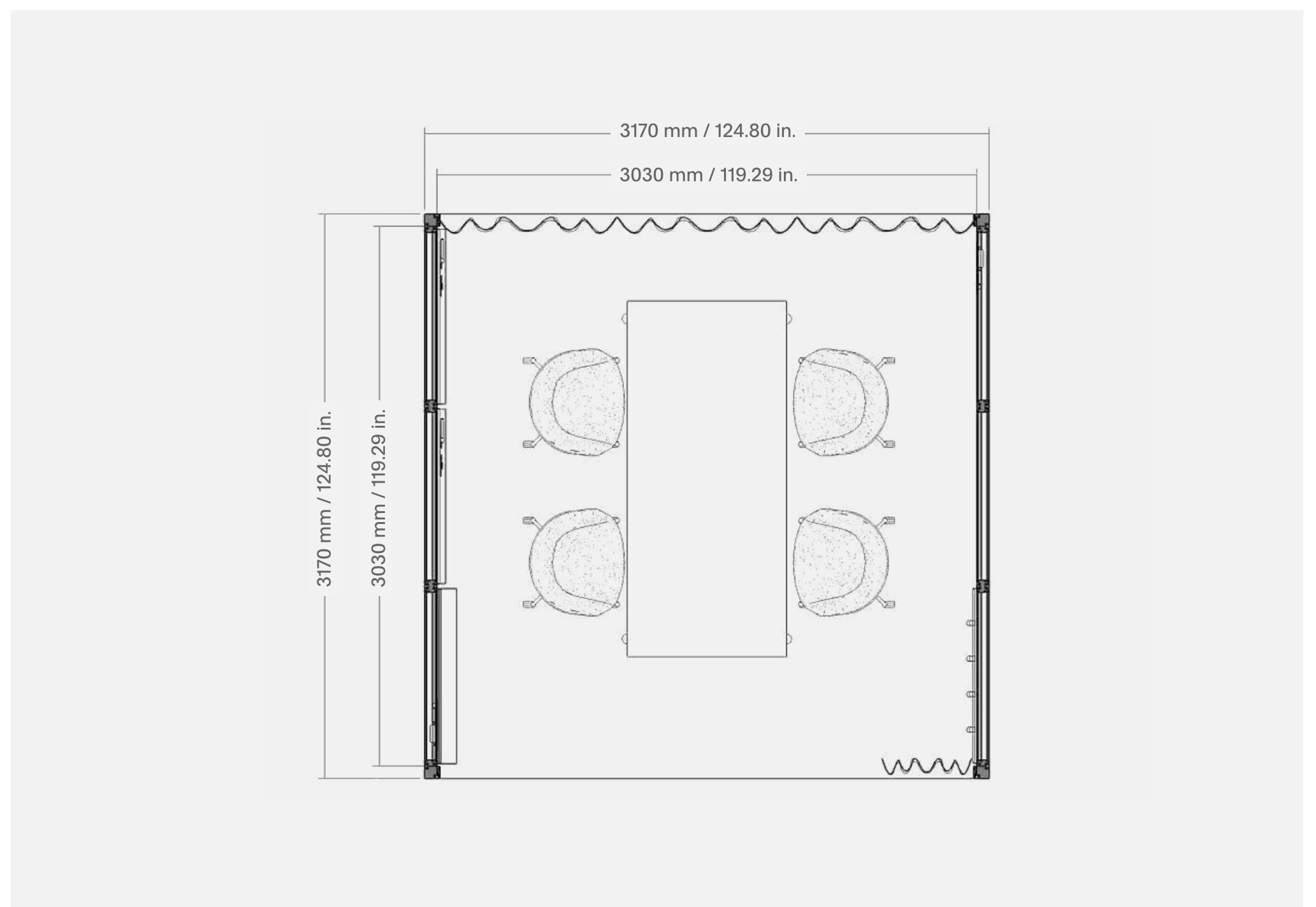
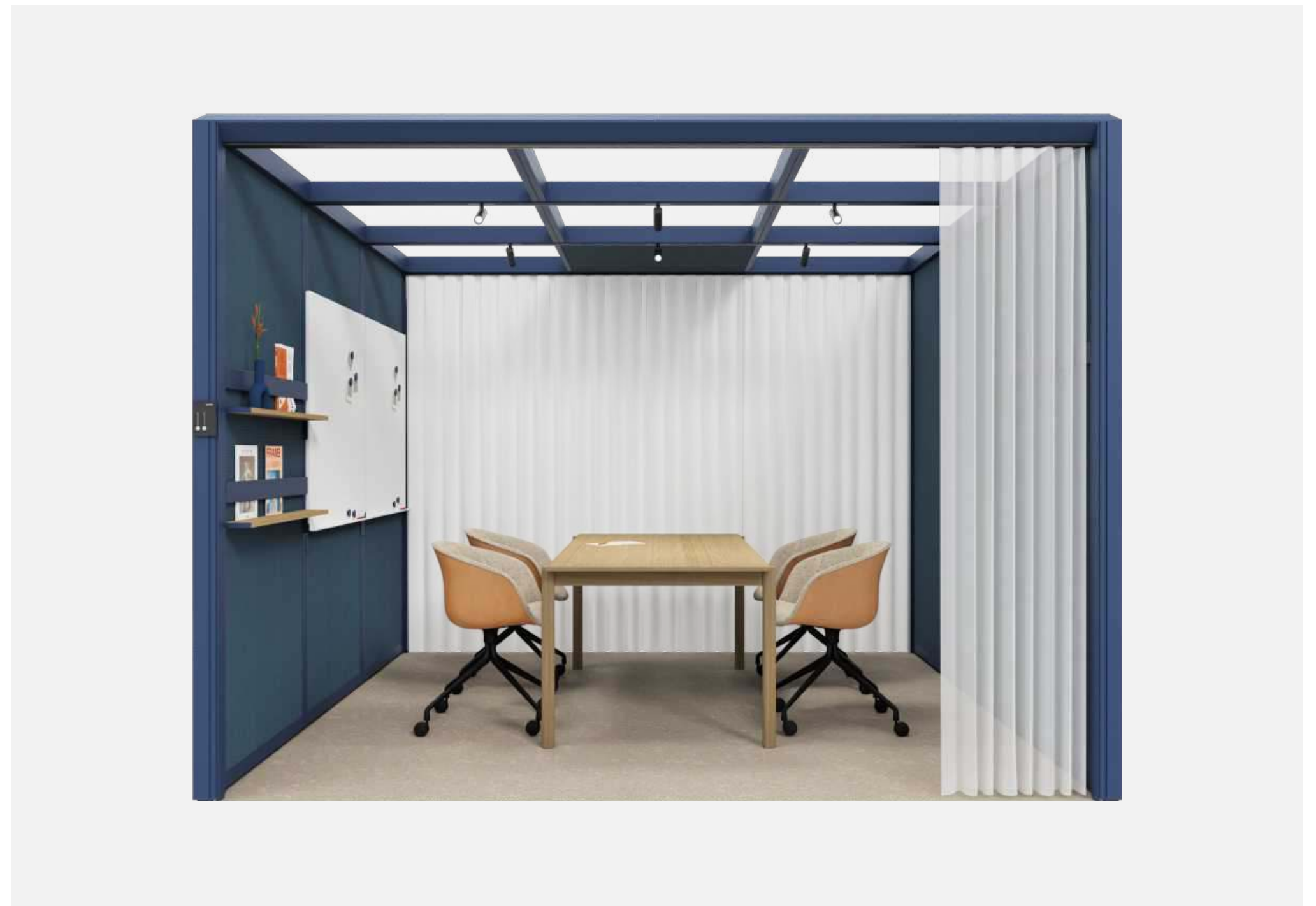
### System furniture and accessories

|    |                   |
|----|-------------------|
| ✓  | curtain rail      |
| ✓  | curtain           |
| 2x | shallow shelf     |
| 2x | whiteboard        |
| 3x | display rail      |
| 4x | display rail hook |
| 8x | magnet            |
| 2x | wall hook         |

### Third party fit-out

Listed products are purely exemplary and are not sold by Mute.

|    |                                    |
|----|------------------------------------|
| 1x | table by Very Good & Proper Design |
| 4x | chair with castors by Hay          |



Interested in this unit?

[Ask for an offer →](#)

Need more options?

[See all rooms →](#)



Room like the one specified in this card can be combined into multifunctional hubs.

Elements of the Modular system may change.

Specification of the product will be verified while preparing an offer and may also be modified on the client's request.

# Modular | MUTE.

## Name Meet 3x3 p6.v1.0

Function  
Meet

Modular size  
3x3

Capacity  
6 people

Type  
Open

### Dimensions (W x L x H)

Exterior 3170 x 3170 x 2400 mm  
124.80 x 124.80 x 94.49 in.  
Interior 3030 x 3030 x 2250 mm  
119.29 x 119.29 x 88.58 in.

### Description

This room for meetups provides space up to 6 people. It's equipped with dedicated furniture and accessories, finished with third-party fit-outs.

It is a part of Modular Meet set – areas in plenty of sizes and capacities to host any gathering: team meet-ups, brainstorm, workshops, small talks, and more.

### Colors



### Construction

Also available without electricity

|    |   |
|----|---|
| 6x | solid wall module 1010 mm / 39.76 in.   |
| 3x | slatted wall module 1010 mm / 39.76 in. |
| 2x | modular electric socket                 |
| 1x | control panel                           |
| 6x | Flask track lighting                    |
| ✓  | overhanging ceiling profile             |

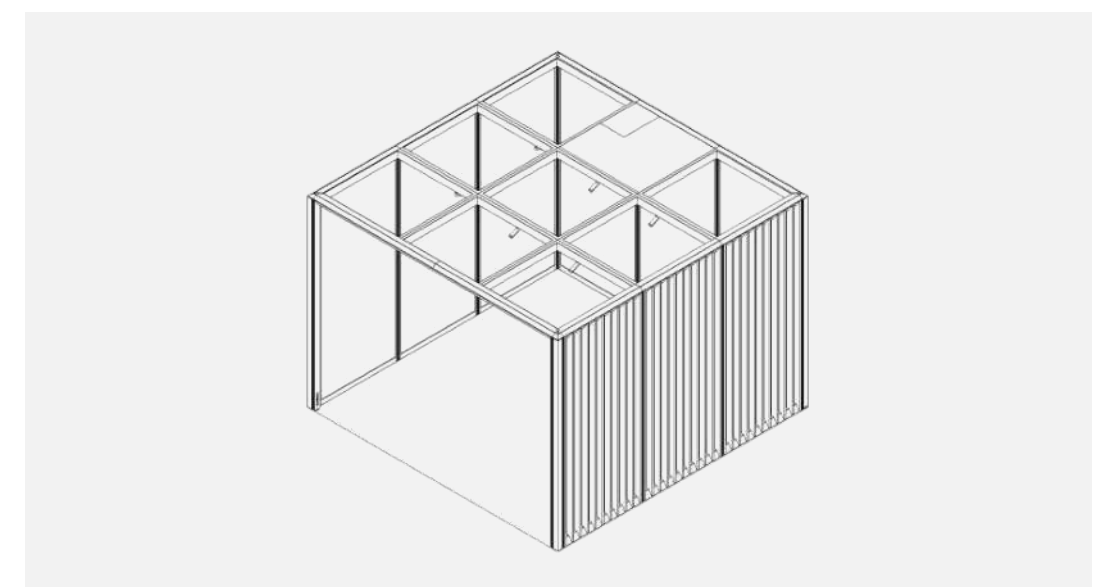
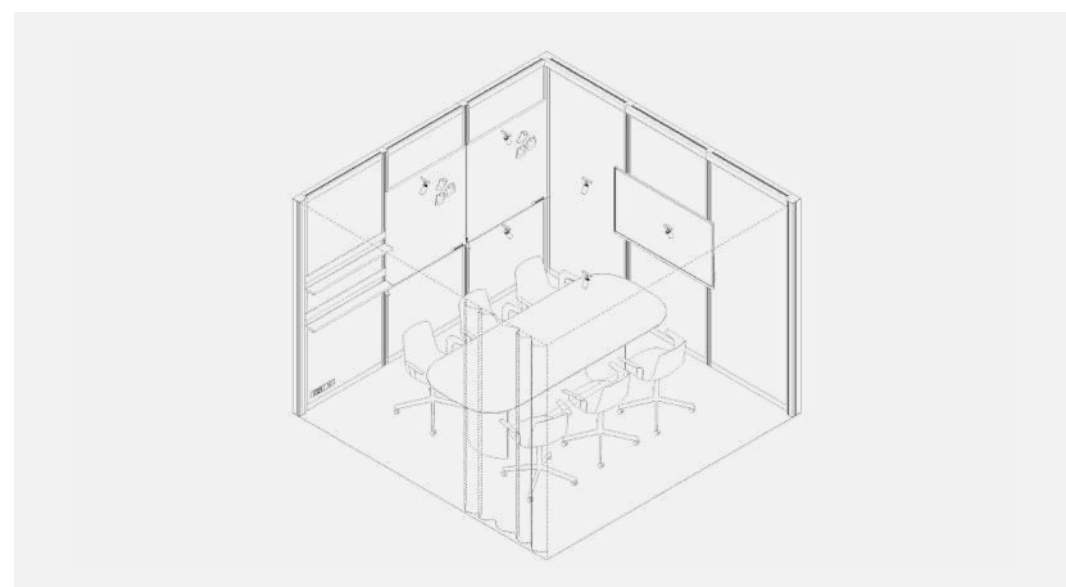
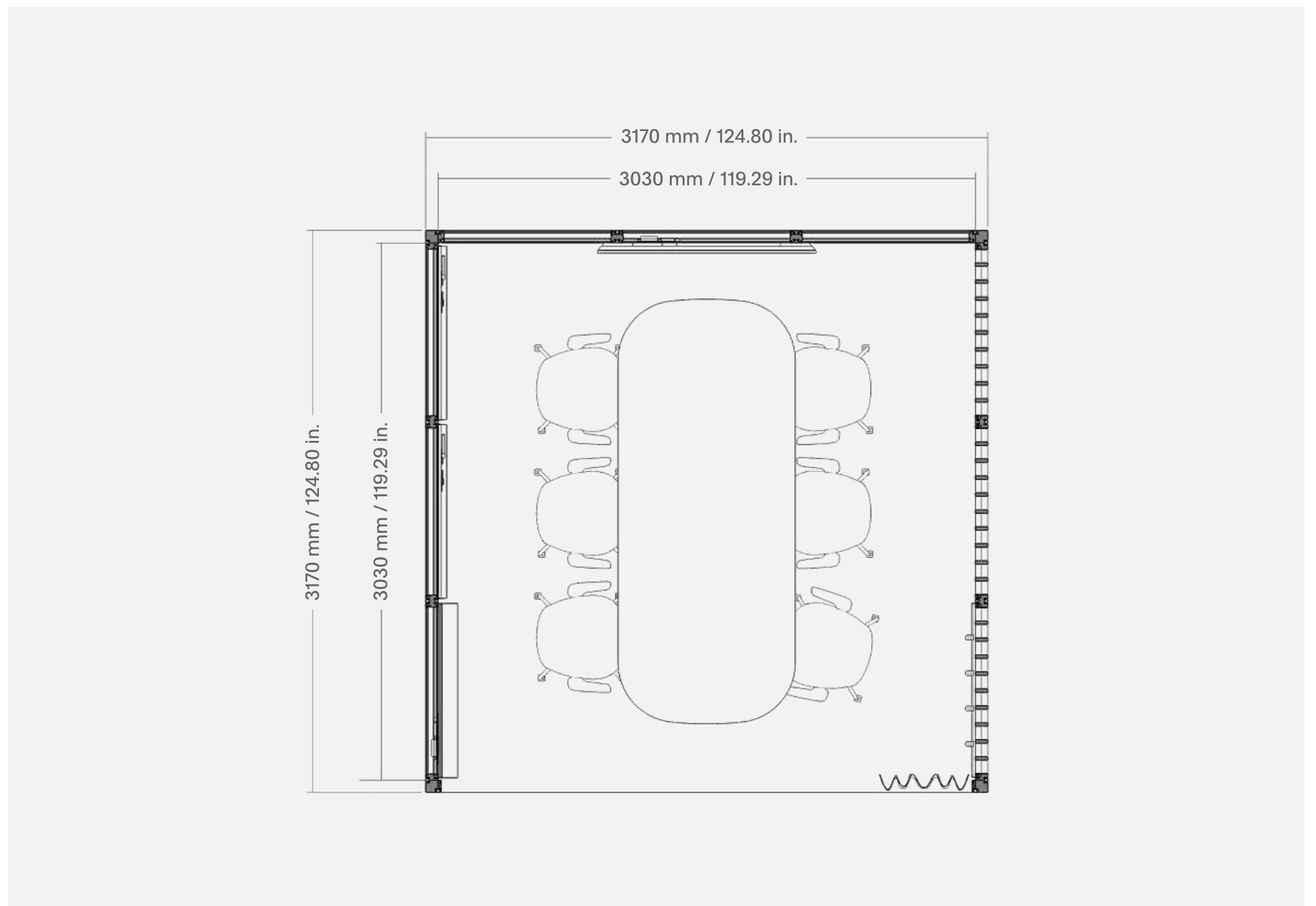
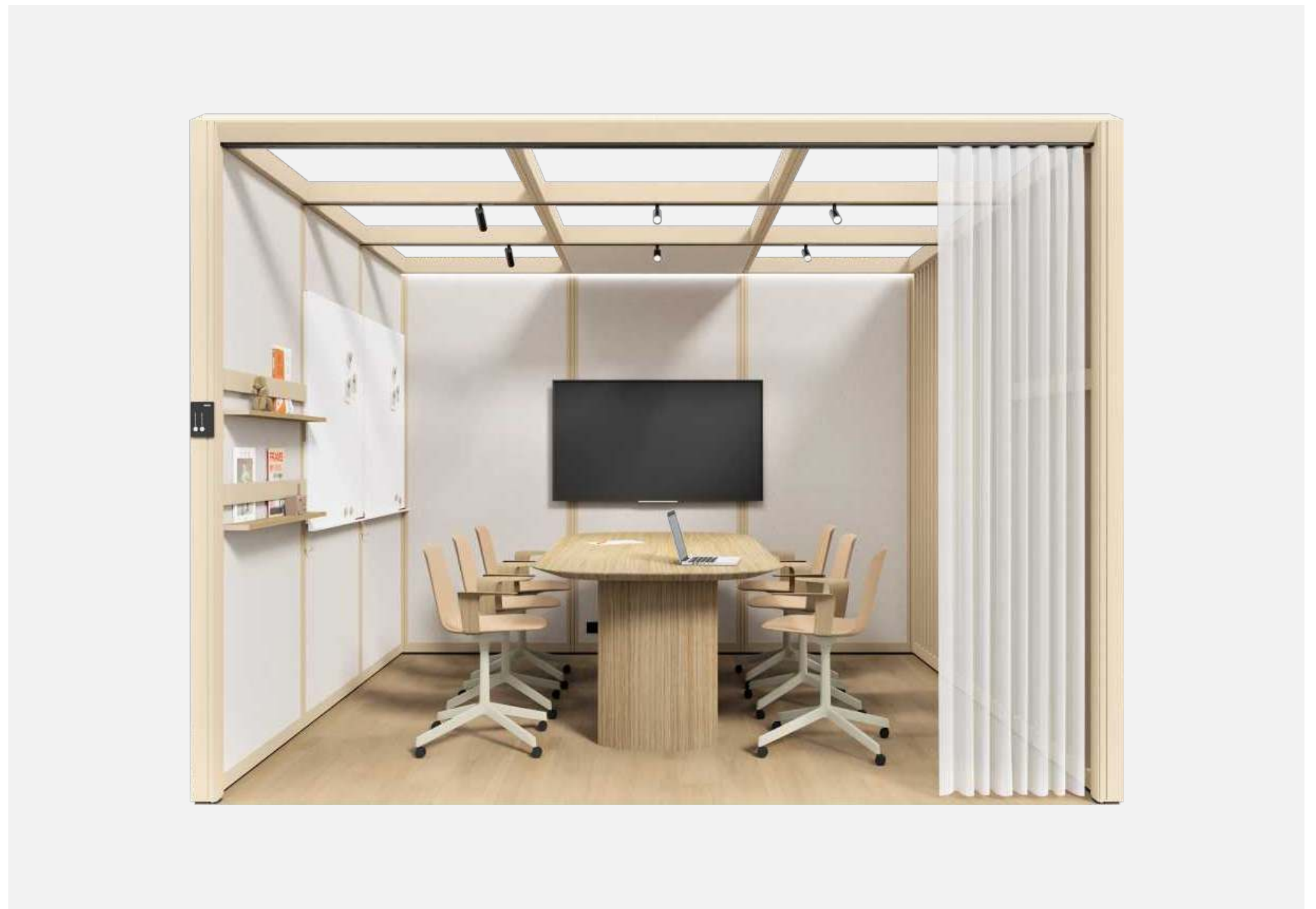
### System furniture and accessories

|    |                   |
|----|-------------------|
| ✓  | curtain rail      |
| ✓  | curtain           |
| 2x | shallow shelf     |
| 2x | whiteboard        |
| 3x | display rail      |
| 4x | display rail hook |
| 8x | magnet            |
| 2x | wall hook         |

### Third party fit-out

Listed products are purely exemplary and are not sold by Mute.

|    |                            |
|----|----------------------------|
| 1x | table by Miniforms         |
| 6x | chair with castors by Enea |



Interested in this unit?

Ask for an offer →

Need more options?

See all rooms →



Room like the one specified in this card can be combined into multifunctional hubs.

Elements of the Modular system may change.

Specification of the product will be verified while preparing an offer and may also be modified on the client's request.

# Modular | MUTE.


## Name Meet 3×3 p6.v2.0

Function  
Meet

Modular size  
3×3

Capacity  
6 people

Type  
Open

 Requires support wall

### Dimensions (W × L × H)

Exterior 3170 × 3170 × 2400 mm  
124.80 × 124.80 × 94.49 in.  
Interior 3030 × 3030 × 2250 mm  
119.29 × 119.29 × 88.58 in.

### Description

This room for meetups provides space up to 6 people. It's equipped with dedicated furniture and accessories, finished with third-party fit-outs.

It is a part of Modular Meet set – areas in plenty of sizes and capacities to host any gathering: team meet-ups, brainstorming, workshops, small talks, and more.

### Colors



### Construction

Also available without electricity

|    |                                       |
|----|---------------------------------------|
| 6× | solid wall module 1010 mm / 39.76 in. |
| 1× | modular electric socket               |
| 1× | control panel                         |
| 6× | Flask track lighting                  |
| ✓  | overhanging ceiling profile           |

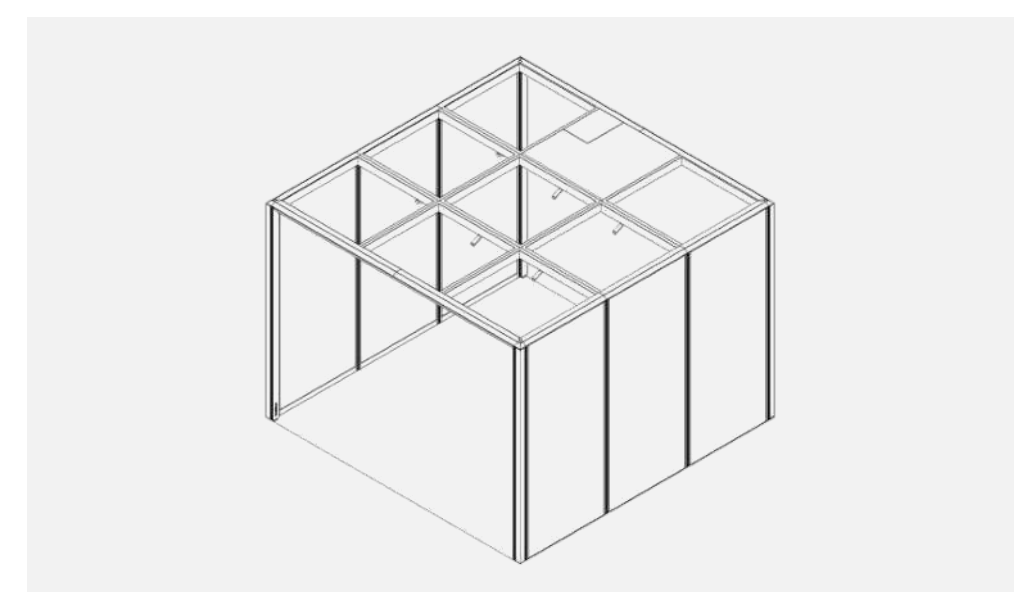
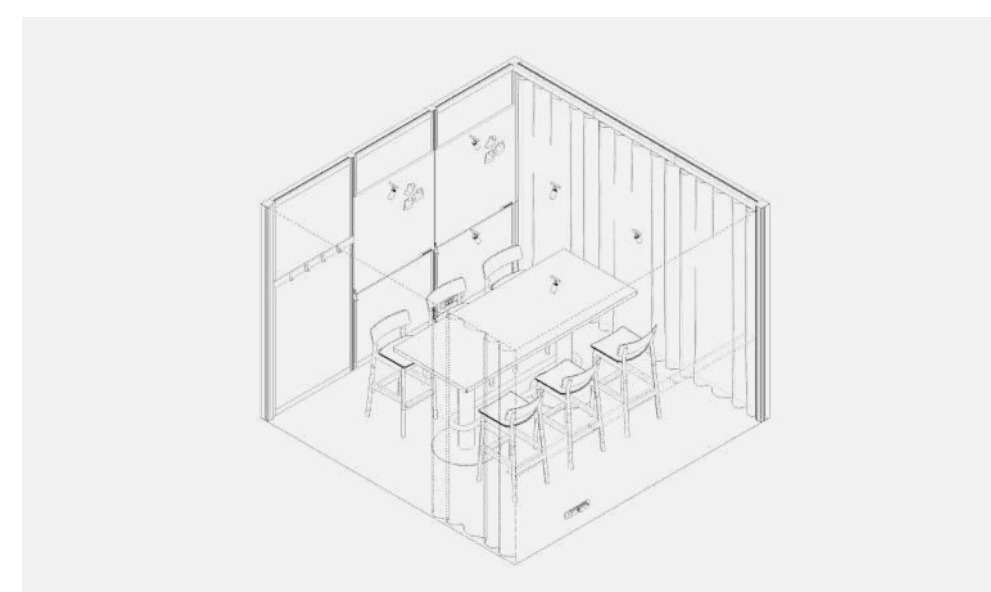
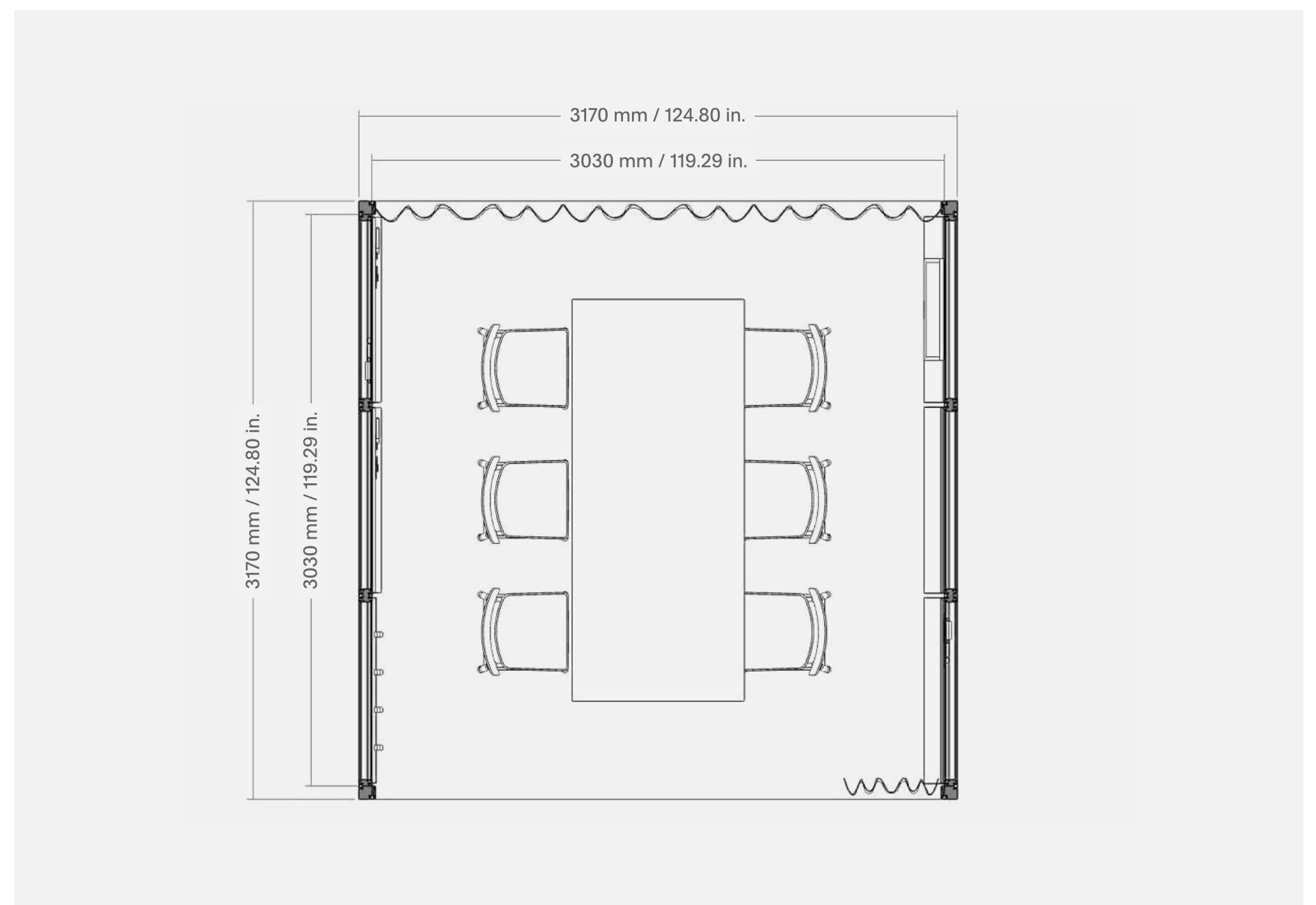
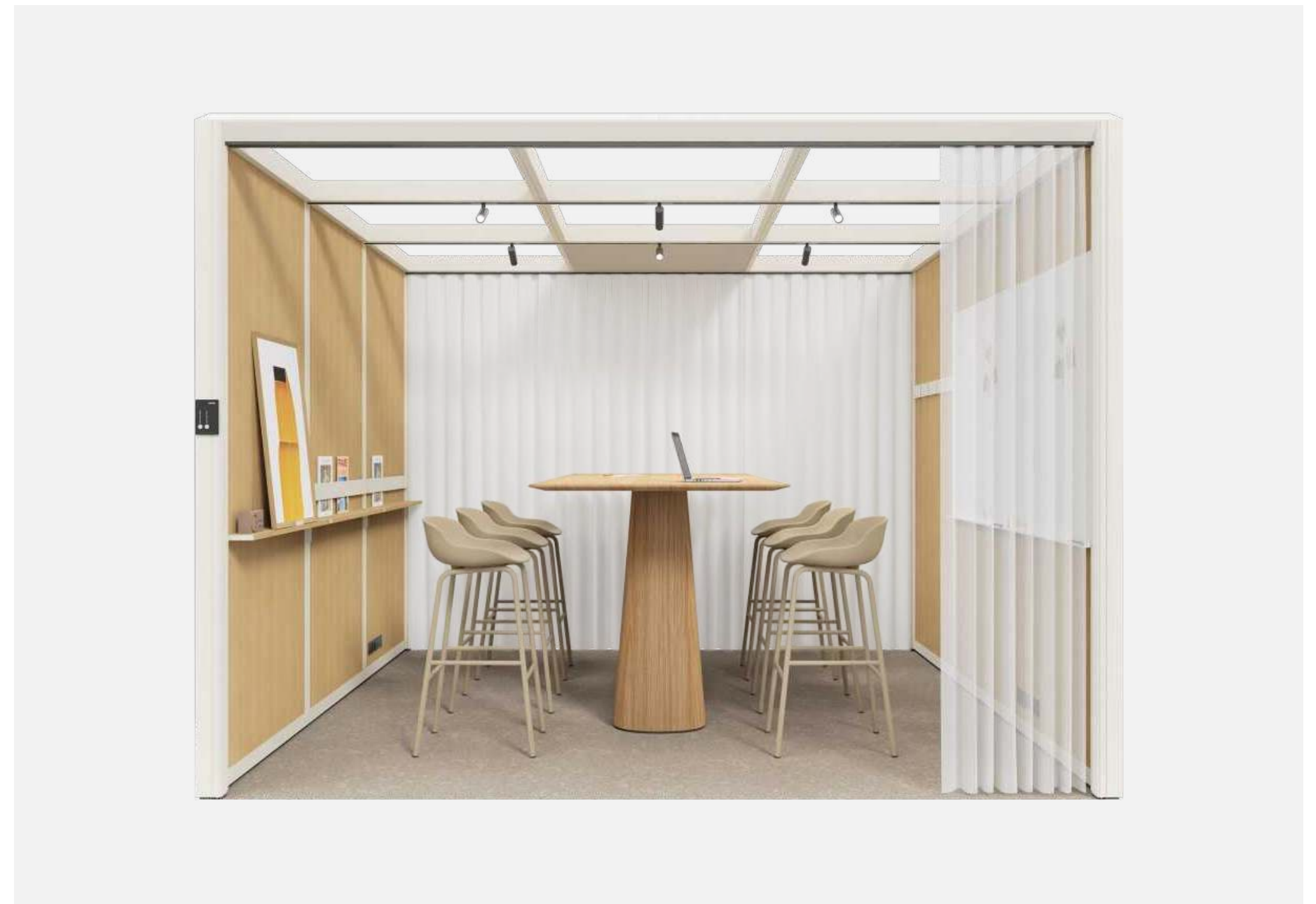
### System furniture and accessories

|    |                   |
|----|-------------------|
| ✓  | curtain rail      |
| ✓  | curtain           |
| 3× | shallow shelf     |
| 2× | whiteboard        |
| 3× | display rail      |
| 4× | display rail hook |
| 1× | display stand     |
| 8× | magnet            |

### Third party fit-out

Listed products are purely exemplary and are not sold by Mute.

|    |                           |
|----|---------------------------|
| 1× | table by Grandrapidschair |
| 6× | stool by Woud             |



Interested in this unit?

[Ask for an offer →](#)

Need more options?

[See all rooms →](#)



Room like the one specified in this card can be combined into multifunctional hubs.

Elements of the Modular system may change.

Specification of the product will be verified while preparing an offer and may also be modified on the client's request.

[www.mute.design/modular](http://www.mute.design/modular)

© Mute 2024 | All rights reserved

# Modular | MUTE.

Name

## Meet 4x3 p6.v1.C

Function

Meet

Modular size

4x3

Capacity

6 people

Type

Closed

### Dimensions (W x L x H)

|          |                             |
|----------|-----------------------------|
| Exterior | 4180 x 3170 x 2400 mm       |
|          | 164.57 x 124.80 x 94.49 in. |
| Interior | 4040 x 3030 x 2250 mm       |
|          | 159.06 x 119.29 x 88.58 in. |

### Description

This room for meetups provides space up to 6 people. It's equipped with dedicated furniture and accessories, finished with third-party fit-outs.

It is a part of Modular Meet set – areas in plenty of sizes and capacities to host any gathering: team meet-ups, brainstorm, workshops, small talks, and more.

### Colors



### Construction

|    |  |    |                         |
|----|--|----|-------------------------|
| 6x | solid wall module<br>1010 mm / 39.76 in. | 2x | modular electric socket |
|    |  | 1x | control panel           |
| 7x | glass wall module<br>1010 mm / 39.76 in. | 2x | occupancy sensor        |
|    |  | 9x | Myco track lighting     |
| 1x | left-hand glass door                     | ✓  | integrated linear lamp  |
| 8x | ceiling module                           |    |                         |
| 4x | ventilation ceiling module               |    |                         |

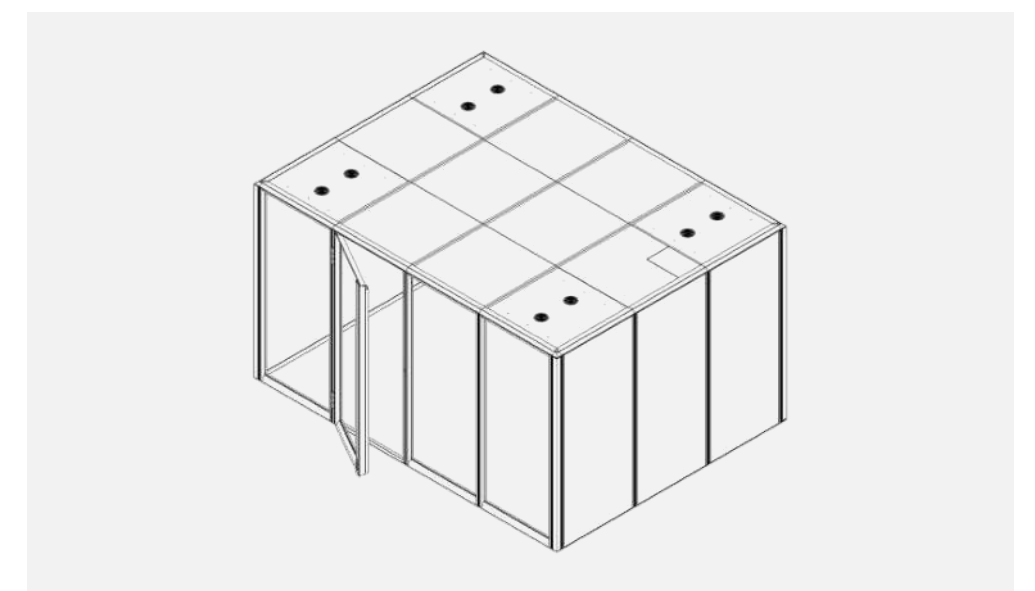
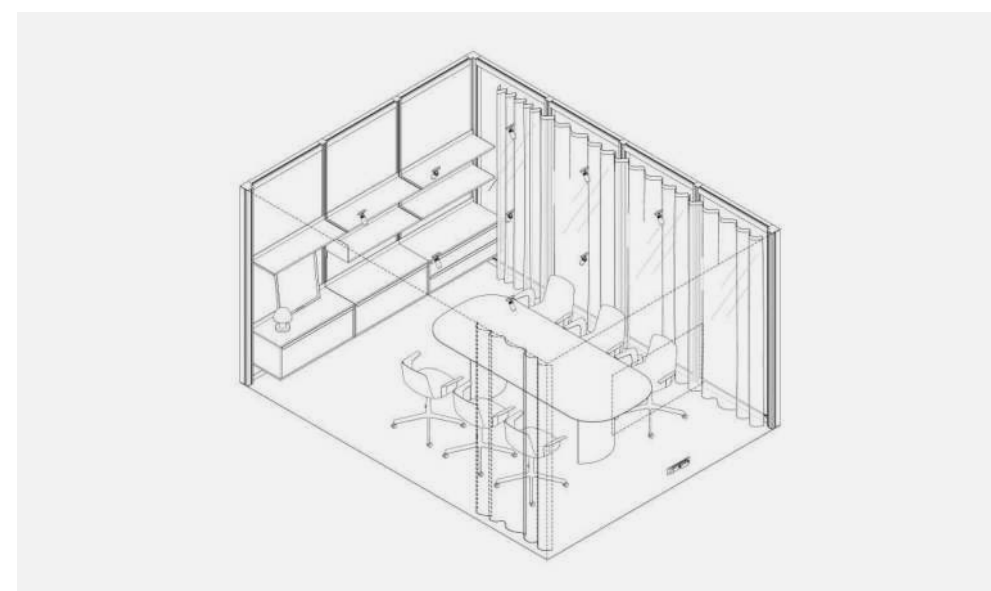
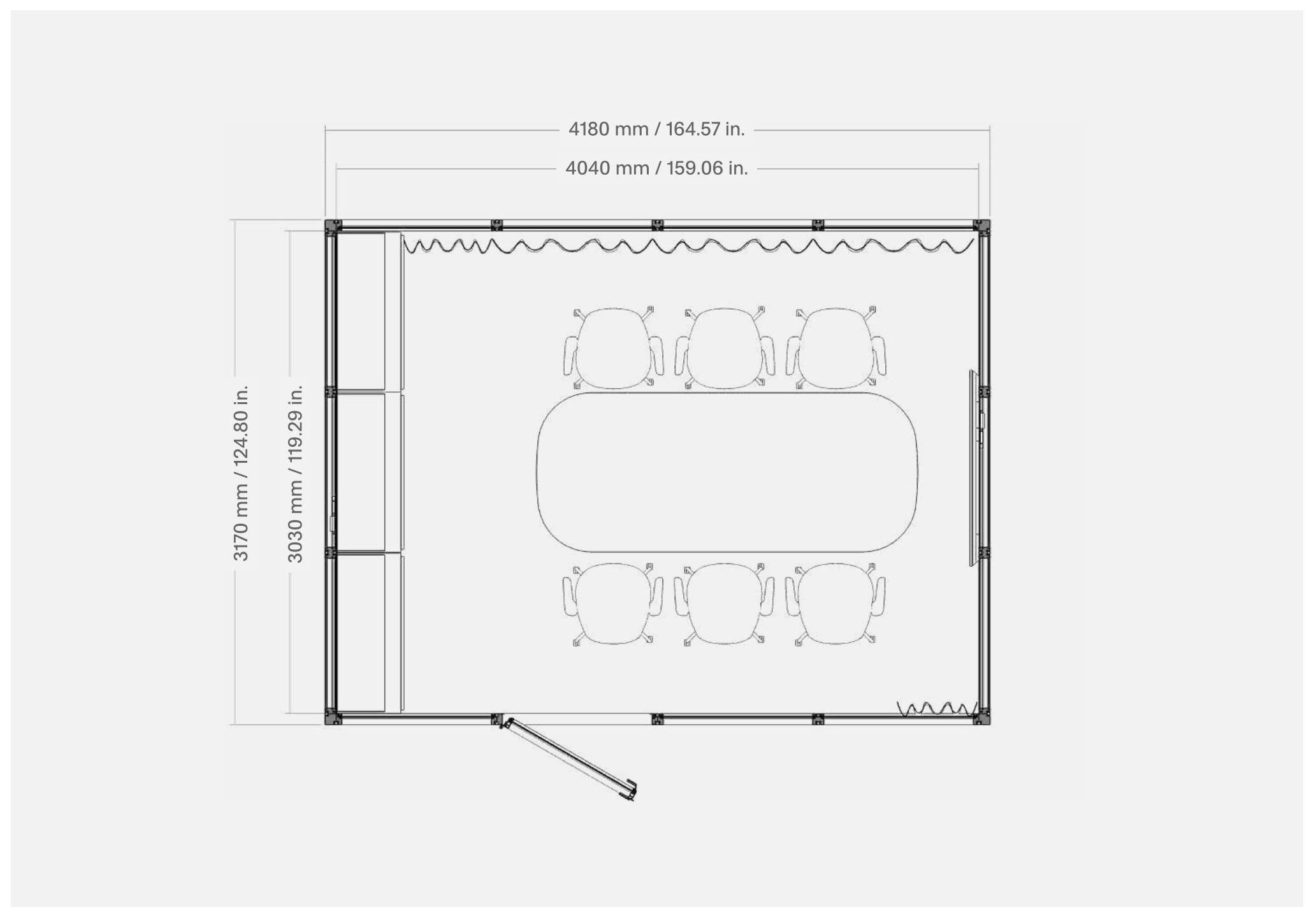
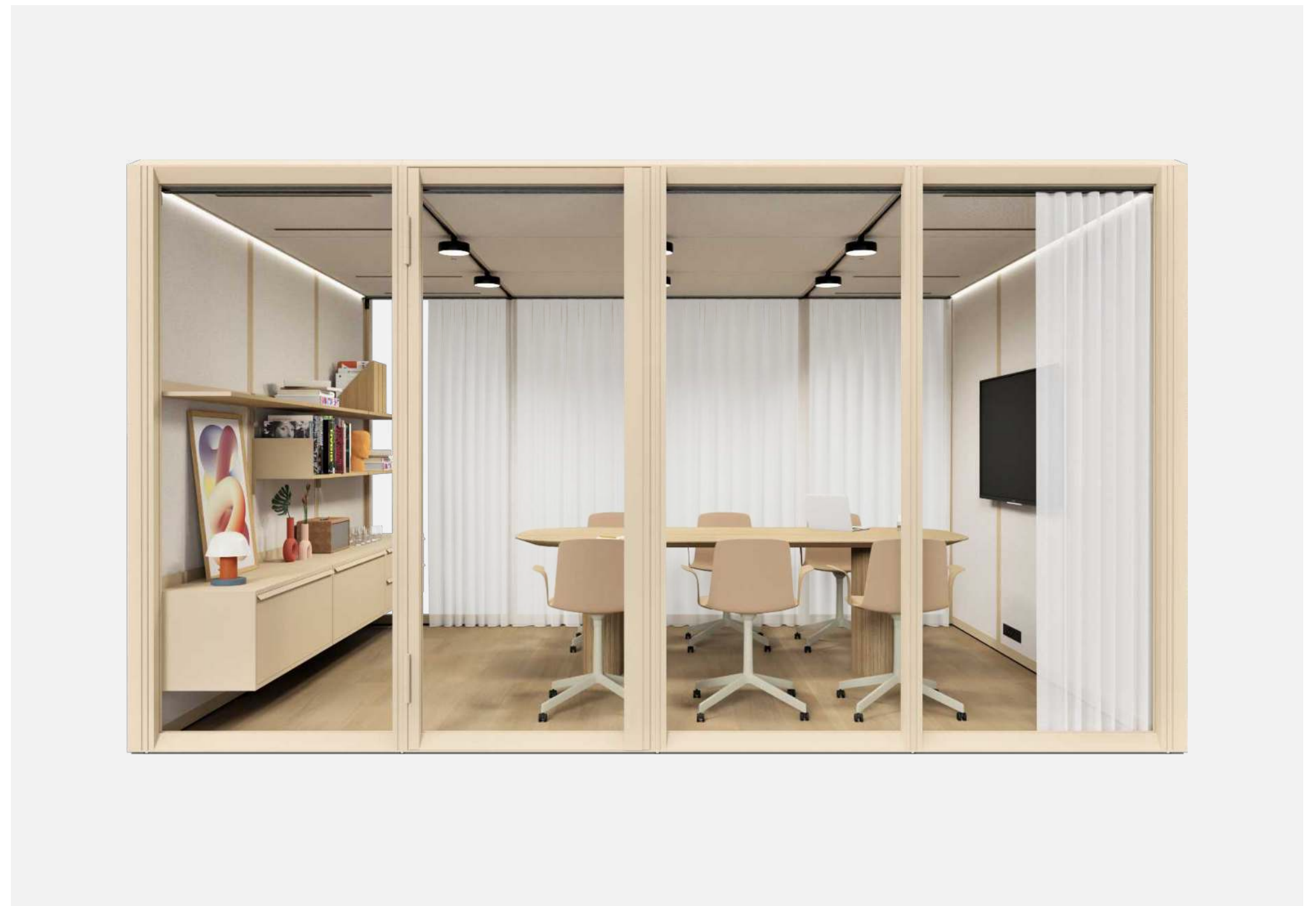
### System furniture and accessories

|    |                          |    |                    |
|----|--------------------------|----|--------------------|
| ✓  | curtain rail             | 1x | two-drawer cabinet |
| ✓  | curtain                  | 1x | tv hanger          |
| 4x | deep shelf               | 2x | wall hook          |
| 1x | deep shelf, left bookend | 1x | display stand      |
| 2x | deep drawer cabinet      |    |                    |

### Third party fit-out

Listed products are purely exemplary and are not sold by Mute.

|    |                    |
|----|--------------------|
| 1x | table by Miniforms |
| 6x | chair by Enea      |



Interested in this unit?

[Ask for an offer →](#)

Need more options?

[See all rooms →](#)



Room like the one specified in this card can be combined into multifunctional hubs.

Elements of the Modular system may change.

Specification of the product will be verified while preparing an offer and may also be modified on the client's request.

# Modular | MUTE.

## Name Meet 4x4 p6.v1.C

Function  
Meet

Modular size  
4x4

Capacity  
6 people

Type  
Closed

### Dimensions (W × L × H)

Exterior 4180 × 4180 × 2400 mm  
164.57 × 164.57 × 94.49 in.  
Interior 4040 × 4040 × 2250 mm  
159.06 × 159.06 × 88.58 in.

### Description

This room for meetups provides space up to 6 people. It's equipped with dedicated furniture and accessories, finished with third-party fit-outs.

It is a part of Modular Meet set – areas in plenty of sizes and capacities to host any gathering: team meet-ups, brainstorm, workshops, small talks, and more.

### Colors



### Construction

|     |  |     |                         |
|-----|--|-----|-------------------------|
| 8x  | solid wall module<br>1010 mm / 39.76 in. | 2x  | modular electric socket |
|     |  | 1x  | control panel           |
| 7x  | glass wall module<br>1010 mm / 39.76 in. | 2x  | occupancy sensor        |
|     |  | 12x | Myco track lighting     |
| 1x  | left-hand glass door                     | ✓   | integrated linear lamp  |
| 12x | ceiling module                           |     |                         |
| 4x  | ventilation ceiling module               |     |                         |

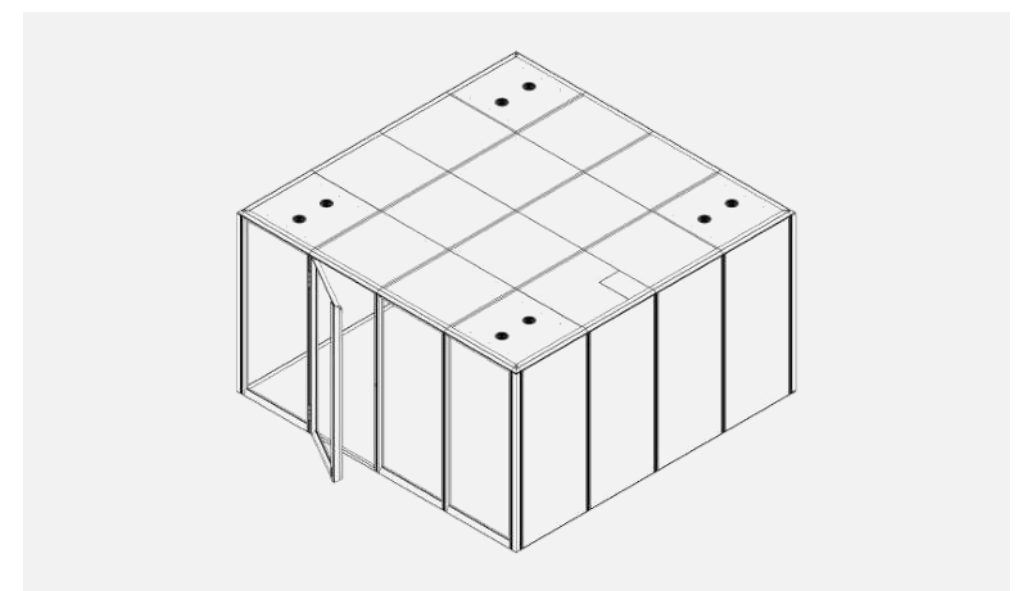
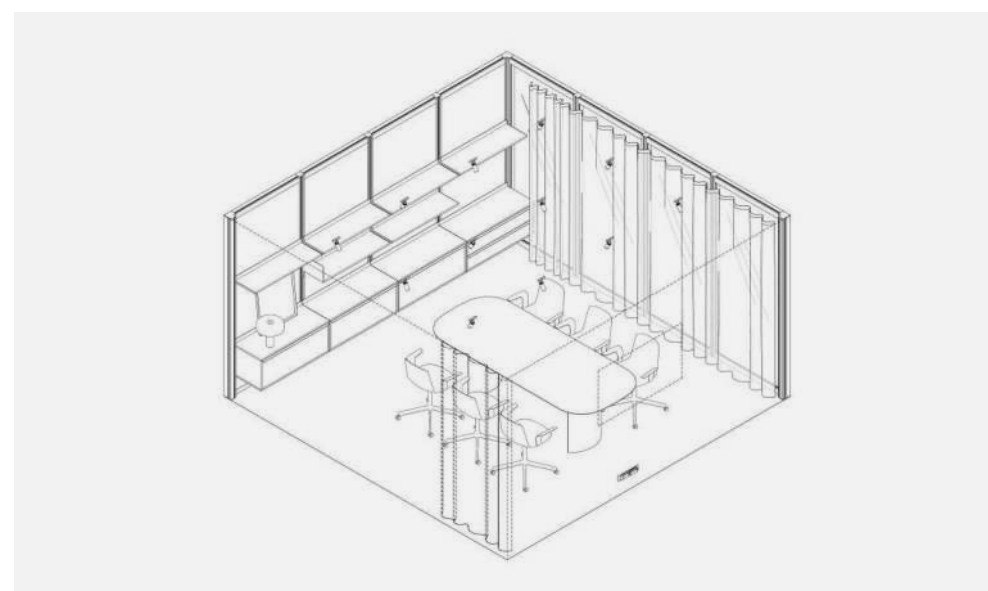
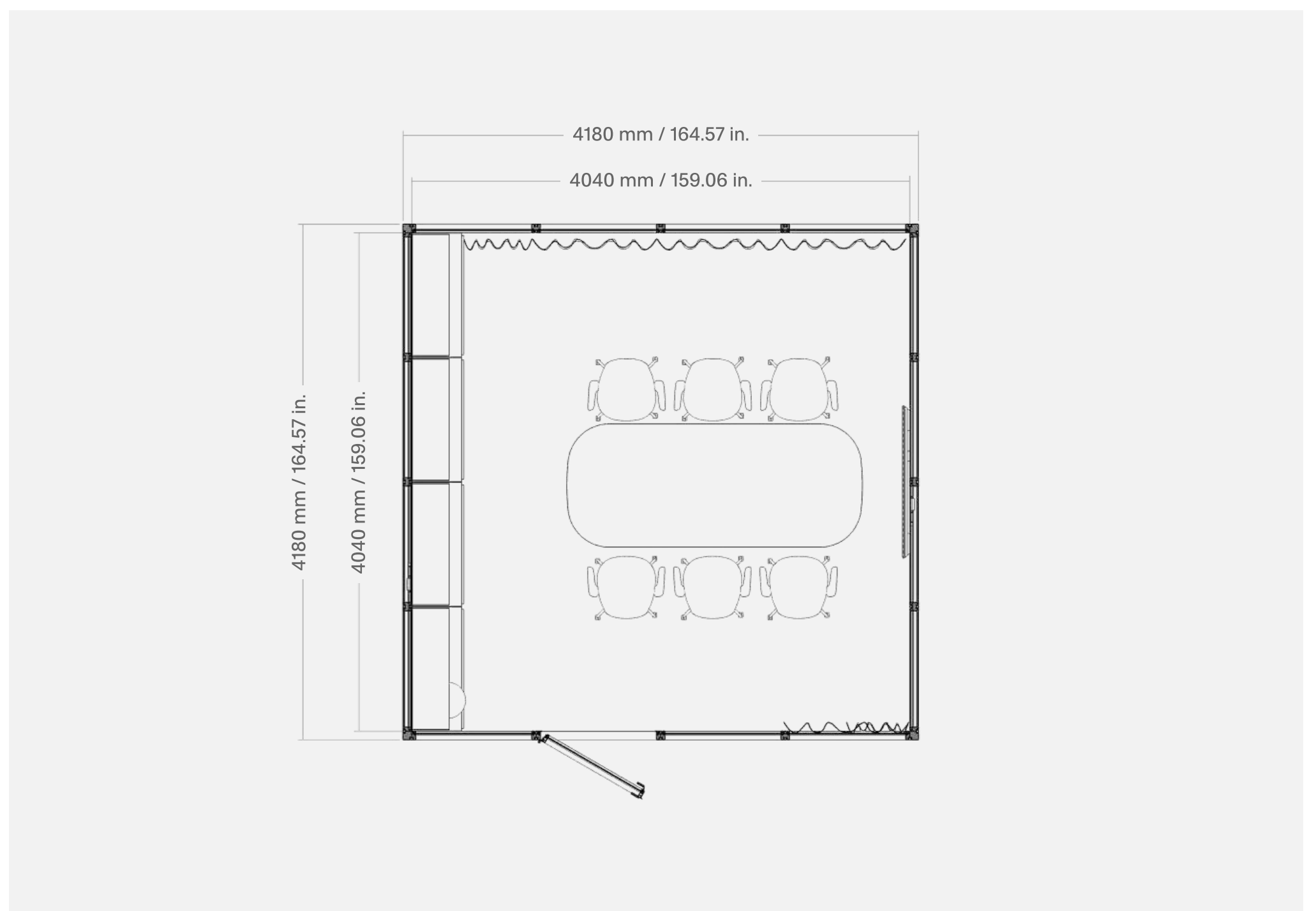
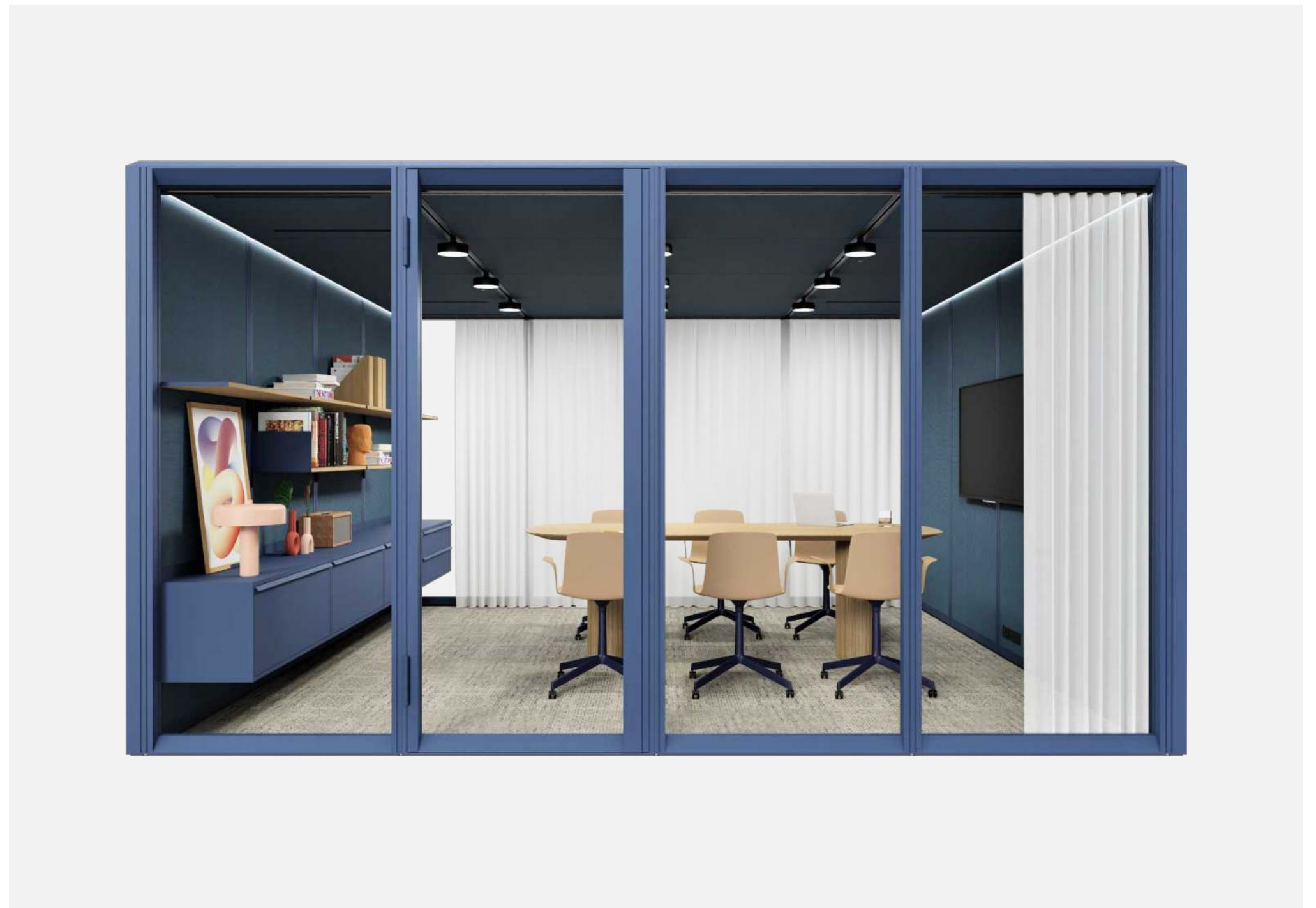
### System furniture and accessories

|    |                          |    |                    |
|----|--------------------------|----|--------------------|
| ✓  | curtain rail             | 1x | two-drawer cabinet |
| ✓  | curtain                  | 1x | tv hanger          |
| 5x | deep shelf               | 2x | wall hook          |
| 1x | deep shelf, left bookend | 1x | display stand      |
| 3x | deep drawer cabinet      |    |                    |

### Third party fit-out

Listed products are purely exemplary and are not sold by Mute.

|    |                    |
|----|--------------------|
| 1x | table by Miniforms |
| 6x | chair by Enea      |



Interested in this unit?

[Ask for an offer →](#)

Need more options?

[See all rooms →](#)



Room like the one specified in this card can be combined into multifunctional hubs.

Elements of the Modular system may change.

Specification of the product will be verified while preparing an offer and may also be modified on the client's request.



# Modular | MUTE.

Name

## Meet 5x4 p6.v1.C

Function

Meet

Modular size

5x4

Capacity

6 people

Type

Closed

### Dimensions (W x L x H)

|          |                             |
|----------|-----------------------------|
| Exterior | 5190 × 4180 × 2400 mm       |
|          | 204.33 × 164.57 × 94.49 in. |
| Interior | 5050 × 4040 × 2250 mm       |
|          | 198.82 × 159.06 × 88.58 in. |

### Description

This room for meetups provides space up to 6 people. It's equipped with dedicated furniture and accessories, finished with third-party fit-outs.

It is a part of Modular Meet set – areas in plenty of sizes and capacities to host any gathering: team meet-ups, brainstorm, workshops, small talks, and more.

### Colors



### Construction

|     |  |     |                         |
|-----|--|-----|-------------------------|
| 8x  | solid wall module<br>1010 mm / 39.76 in. | 2x  | modular electric socket |
|     |  | 1x  | control panel           |
| 9x  | glass wall module<br>1010 mm / 39.76 in. | 2x  | occupancy sensor        |
|     |  | 16x | Flask track lighting    |
| 1x  | left-handed glass door                   | ✓   | integrated linear lamp  |
| 16x | ceiling module                           |     |                         |
| 4x  | ventilation ceiling module               |     |                         |

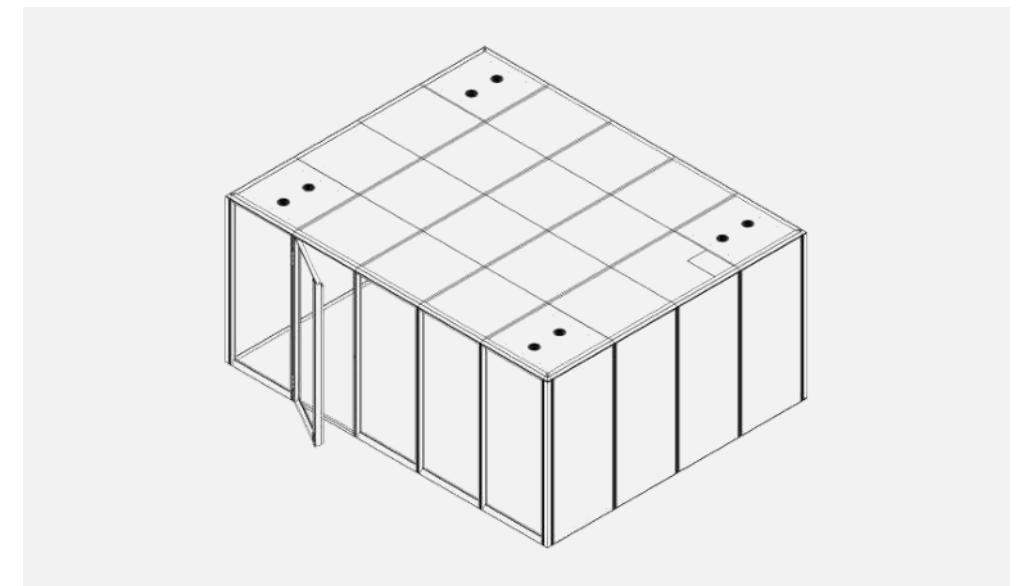
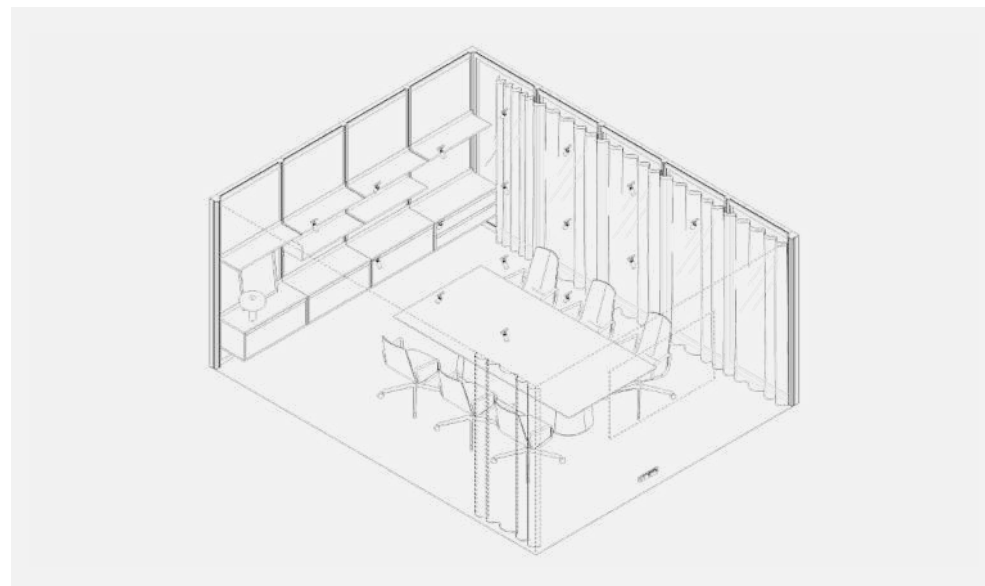
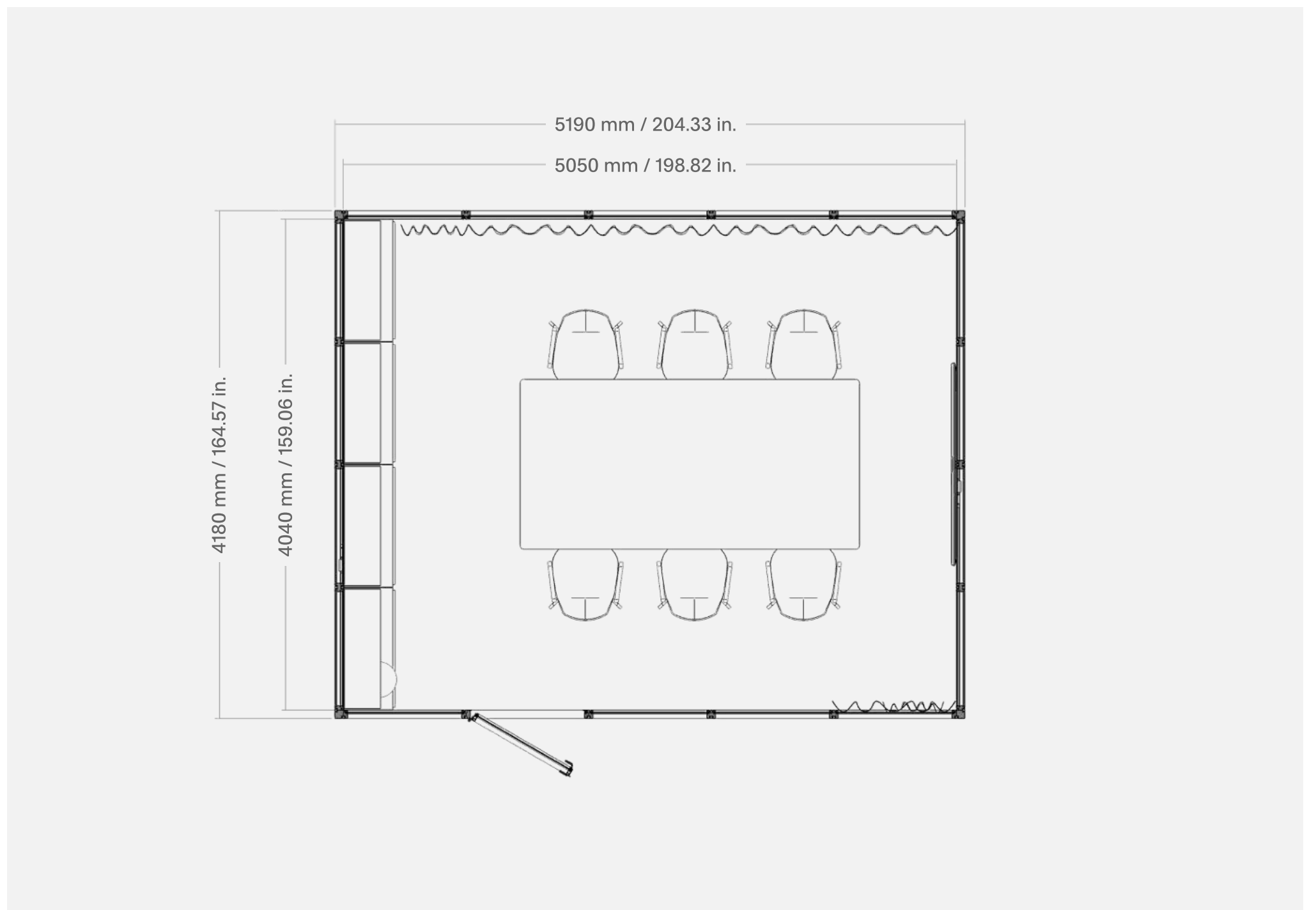
### System furniture and accessories

|    |                          |    |                     |
|----|--------------------------|----|---------------------|
| ✓  | curtain rail             | 3x | deep drawer cabinet |
| ✓  | curtain                  | 1x | two-drawer cabinet  |
| 5x | deep shelf               | 4x | display rail hook   |
| 1x | deep shelf, left bookend | 1x | display stand       |
| 1x | tv hanger                |    |                     |

### Third party fit-out

Listed products are purely exemplary and are not sold by Mute.

|    |               |
|----|---------------|
| 1x | table by Ton  |
| 6x | chair by Enea |



Interested in this unit?

[Ask for an offer →](#)

Need more options?

[See all rooms →](#)



Room like the one specified in this card can be combined into multifunctional hubs.

Elements of the Modular system may change.

Specification of the product will be verified while preparing an offer and may also be modified on the client's request.

# Modular | MUTE.

Name

## Meet 5x4 p8.v1.C

Function

Meet

Modular size

5x4

Capacity

8 people

Type

Closed

### Dimensions (W x L x H)

|          |                             |
|----------|-----------------------------|
| Exterior | 5190 × 4180 × 2400 mm       |
|          | 204.33 × 164.57 × 94.49 in. |
| Interior | 5050 × 4040 × 2250 mm       |
|          | 198.82 × 159.06 × 88.58 in. |

### Description

This room for meetups provides space up to 8 people. It's equipped with dedicated furniture and accessories, finished with third-party fit-outs.

It is a part of Modular Meet set – areas in plenty of sizes and capacities to host any gathering: team meet-ups, brainstorm, workshops, small talks, and more.

### Colors



### Construction

|     |  |     |                         |
|-----|--|-----|-------------------------|
| 8x  | solid wall module<br>1010 mm / 39.76 in. | 2x  | modular electric socket |
|     |  | 1x  | control panel           |
| 9x  | glass wall module<br>1010 mm / 39.76 in. | 2x  | occupancy sensor        |
|     |  | 16x | Flask track lighting    |
| 1x  | left-hand glass door                     | ✓   | integrated linear lamp  |
| 16x | ceiling module                           |     |                         |
| 4x  | ventilation ceiling module               |     |                         |

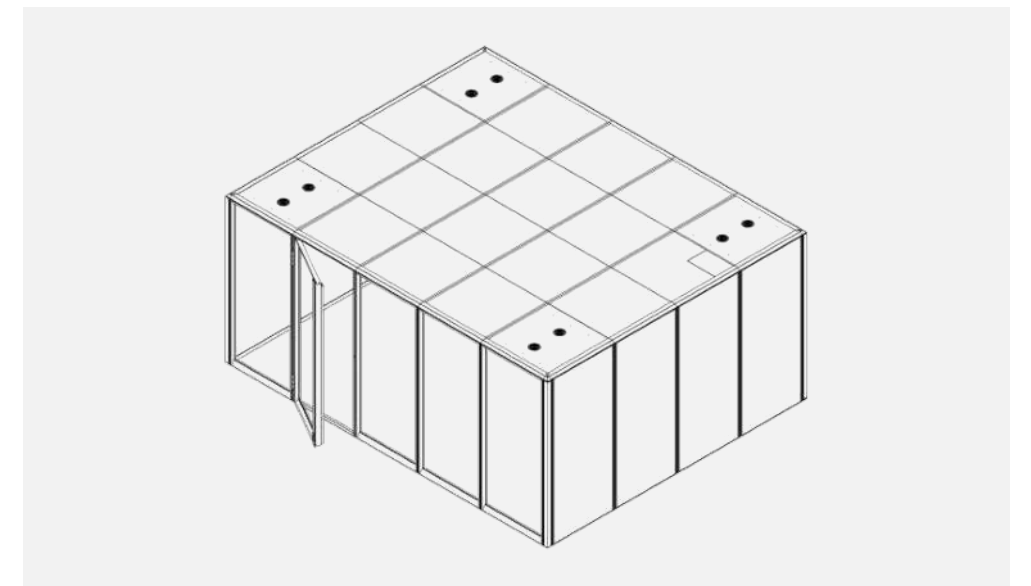
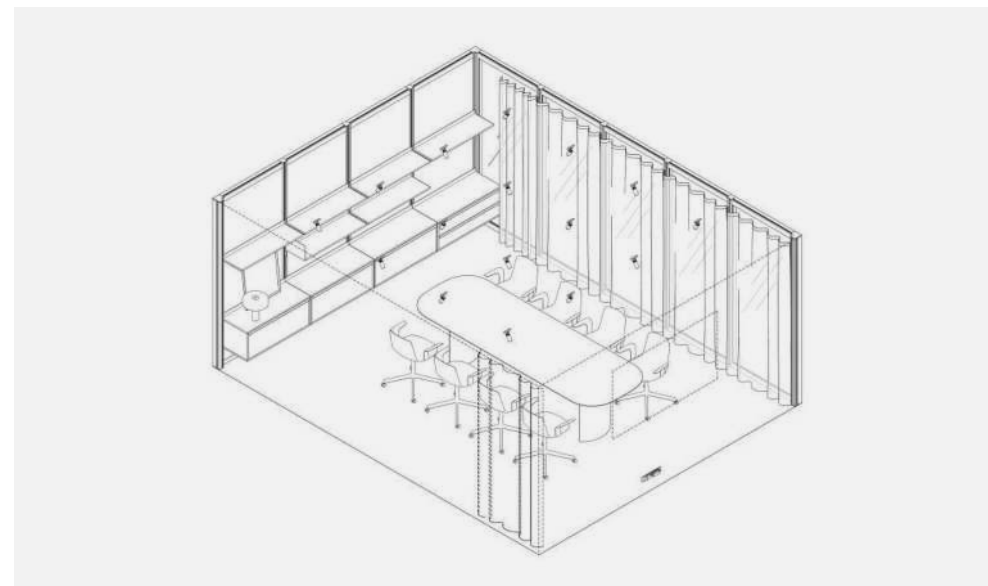
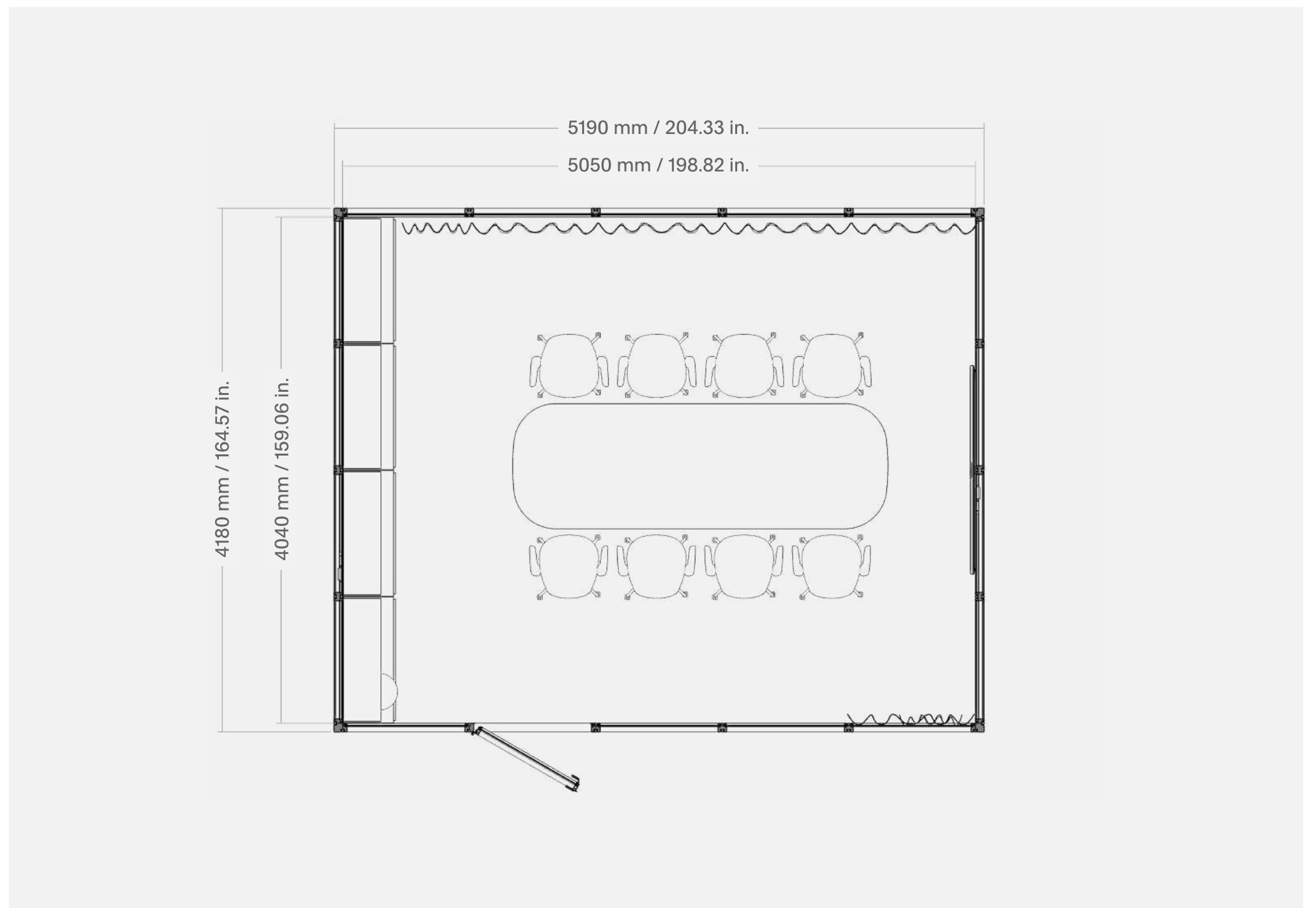
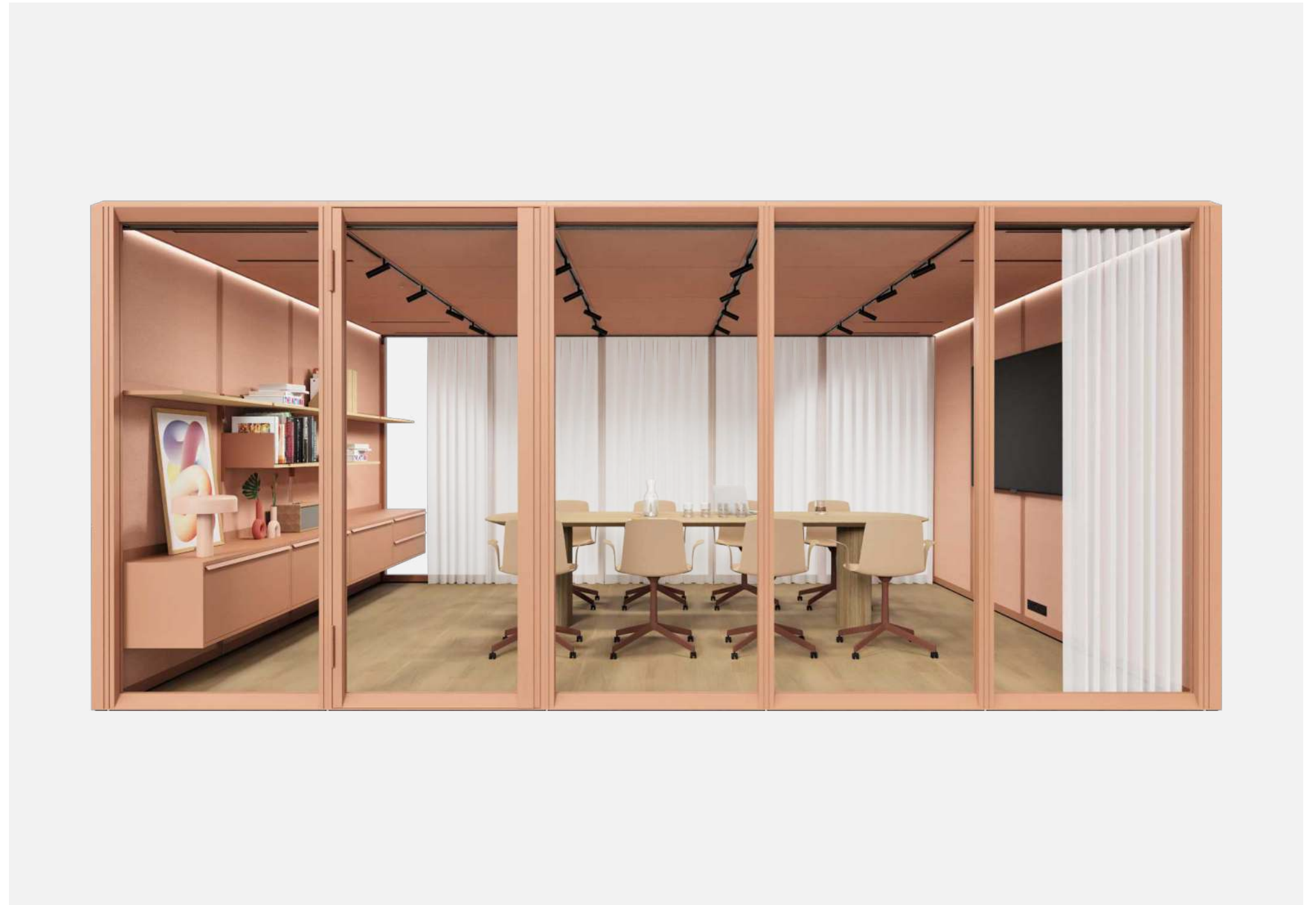
### System furniture and accessories

|    |                          |    |                    |
|----|--------------------------|----|--------------------|
| ✓  | curtain rail             | 1x | two-drawer cabinet |
| ✓  | curtain                  | 1x | tv hanger          |
| 5x | deep shelf               | 2x | wall hook          |
| 1x | deep shelf, left bookend | 1x | display stand      |
| 3x | deep drawer cabinet      |    |                    |

### Third party fit-out

Listed products are purely exemplary and are not sold by Mute.

|    |                    |
|----|--------------------|
| 1x | table by Miniforms |
| 8x | chair by Enea      |



Interested in this unit?

[Ask for an offer →](#)

Need more options?

[See all rooms →](#)



Room like the one specified in this card can be combined into multifunctional hubs.

Elements of the Modular system may change.

Specification of the product will be verified while preparing an offer and may also be modified on the client's request.



# Modular | MUTE.

Room name

## Lounge 2x1 p2.v1.0

Function  
Lounge

Modular size  
2x1

Capacity  
2 people

Room type  
Open

### Dimensions (W × L × H)

Exterior 2160 × 1150 × 2400 mm  
85.04 × 45.28 × 94.49 in.  
Interior 2020 × 1010 × 2250 mm  
79.53 × 39.76 × 88.58 in.

### Description

This room for relaxing provides space for two people. It's equipped with dedicated furniture and accessories, finished with third-party fit-outs.

It is a part of Modular Lounge set – cozy areas for less-formal meet-ups and every casual occasion. Perfect for a waiting lounge, chill-out area, or gaming room.

### Colors



### Construction

Also available without electricity

|    |                                       |
|----|---------------------------------------|
| 4x | solid wall module 1010 mm / 39.76 in. |
| 2x | ceiling module                        |
| 1x | control panel                         |
| 1x | modular electric socket               |
| ✓  | overhanging ceiling profile           |
| ✓  | integrated linear lamp                |

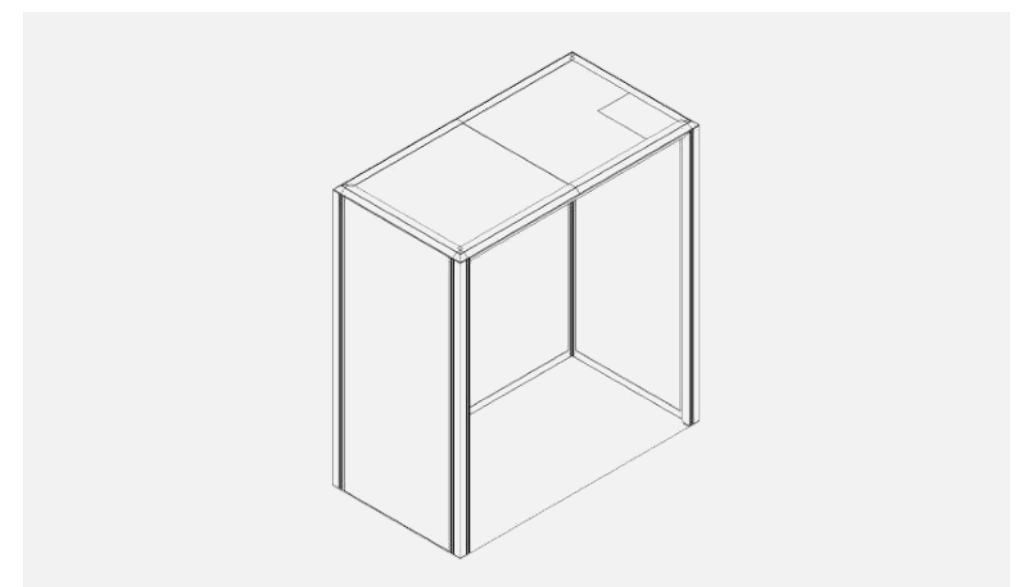
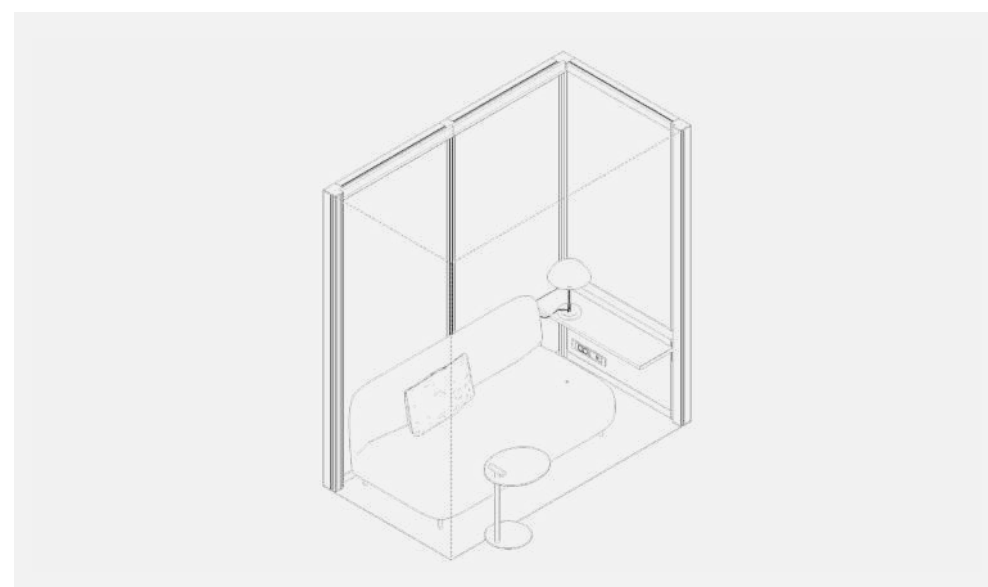
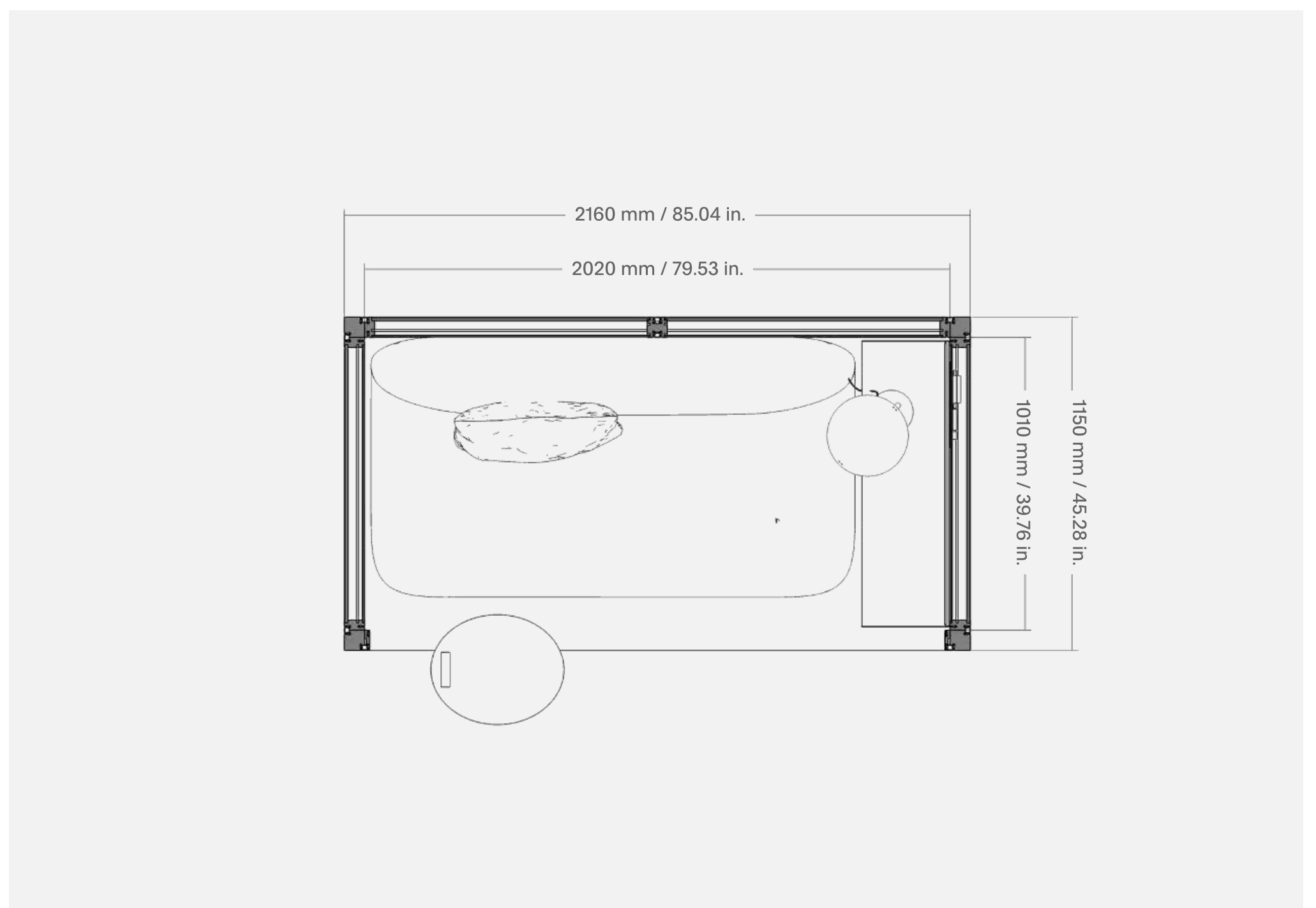
### System furniture and accessories

|    |              |
|----|--------------|
| 1x | deep shelf   |
| 1x | display rail |

### Third party fit-out

Listed products are purely exemplary and are not sold by Mute.

|    |                        |
|----|------------------------|
| 1x | sofa by Pedrali        |
| 1x | coffee table by Bulo   |
| 1x | table lamp by Westberg |



Interested in this unit?

[Ask for an offer →](#)

Need more options?

[See all rooms →](#)



Room like the one specified in this card can be combined into multifunctional hubs.

Elements of the Modular system may change.

Specification of the product will be verified while preparing an offer and may also be modified on the client's request.

[www.mute.design/modular](http://www.mute.design/modular)

© Mute 2024 | All rights reserved

# Modular | MUTE.

## Room name Lounge 2x2 p2.v2.C

Function  
Lounge

Modular size  
2x2

Capacity  
2 people

Room type  
Closed

### Dimensions (W × L × H)

Exterior 2160 × 2160 × 2400 mm  
85.04 × 85.04 × 94.49 in.  
Interior 2020 × 2020 × 2250 mm  
79.53 × 79.53 × 88.58 in.

### Description

This room for relaxing provides space up to 2 people. It's equipped with dedicated furniture and accessories, finished with third-party fit-outs.

It is a part of Modular Lounge set – cozy areas for less-formal meet-ups and every casual occasion. Perfect for a waiting lounge, chill-out area, or gaming room.

### Colors



### Construction

|    |                                       |
|----|---------------------------------------|
| 6x | solid wall module 1010 mm / 39.76 in. |
| 1x | glass wall module 1010 mm / 39.76 in. |
| 1x | right-hand solid door                 |
| 2x | ceiling module                        |
| 2x | ventilation ceiling module            |
| 2x | modular electric socket               |
| 1x | occupancy sensor                      |
| 1x | control panel                         |
| 2x | Flask track lighting                  |
| √  | integrated linear lamp                |

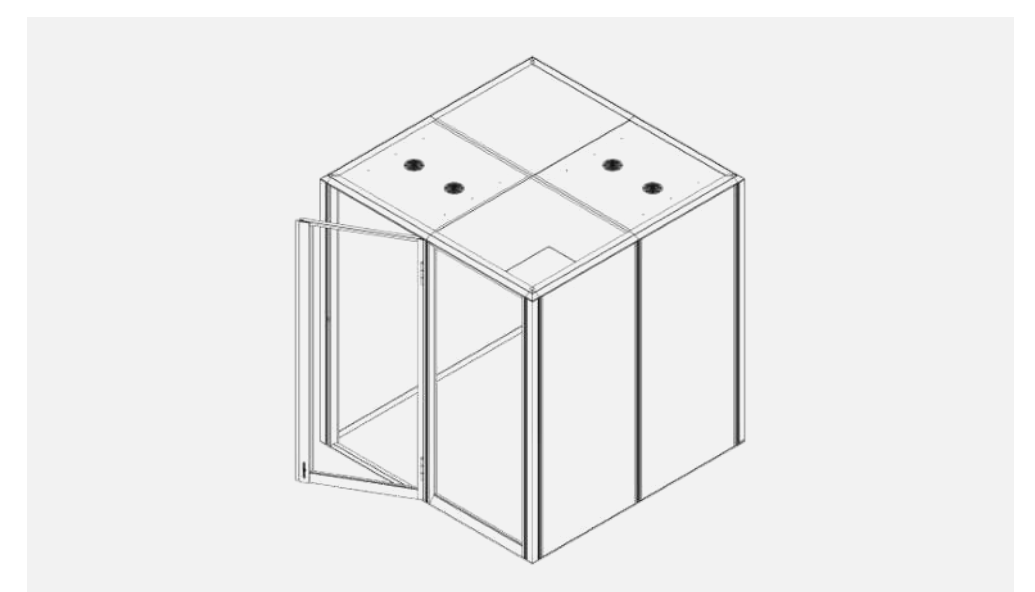
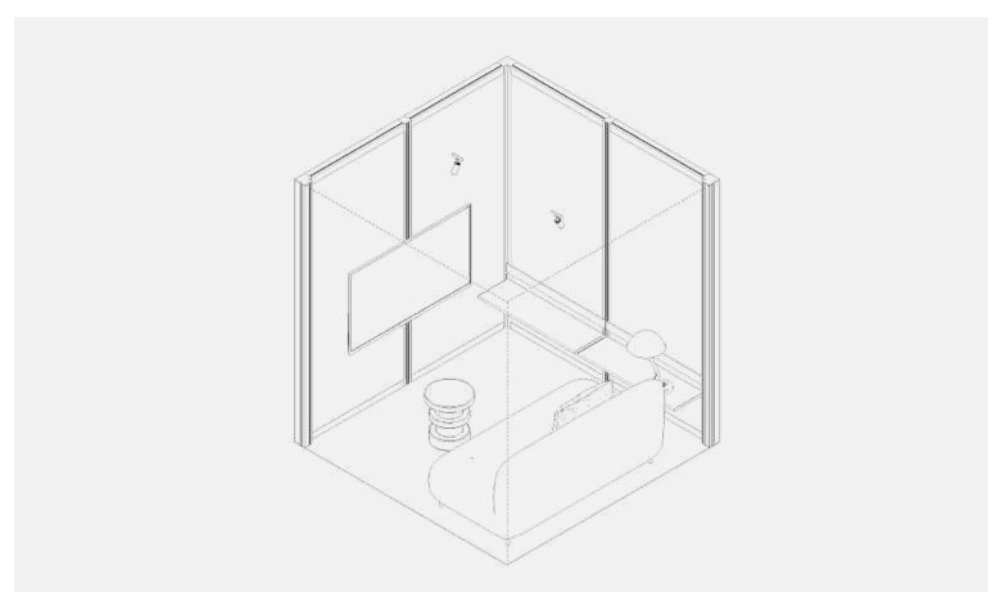
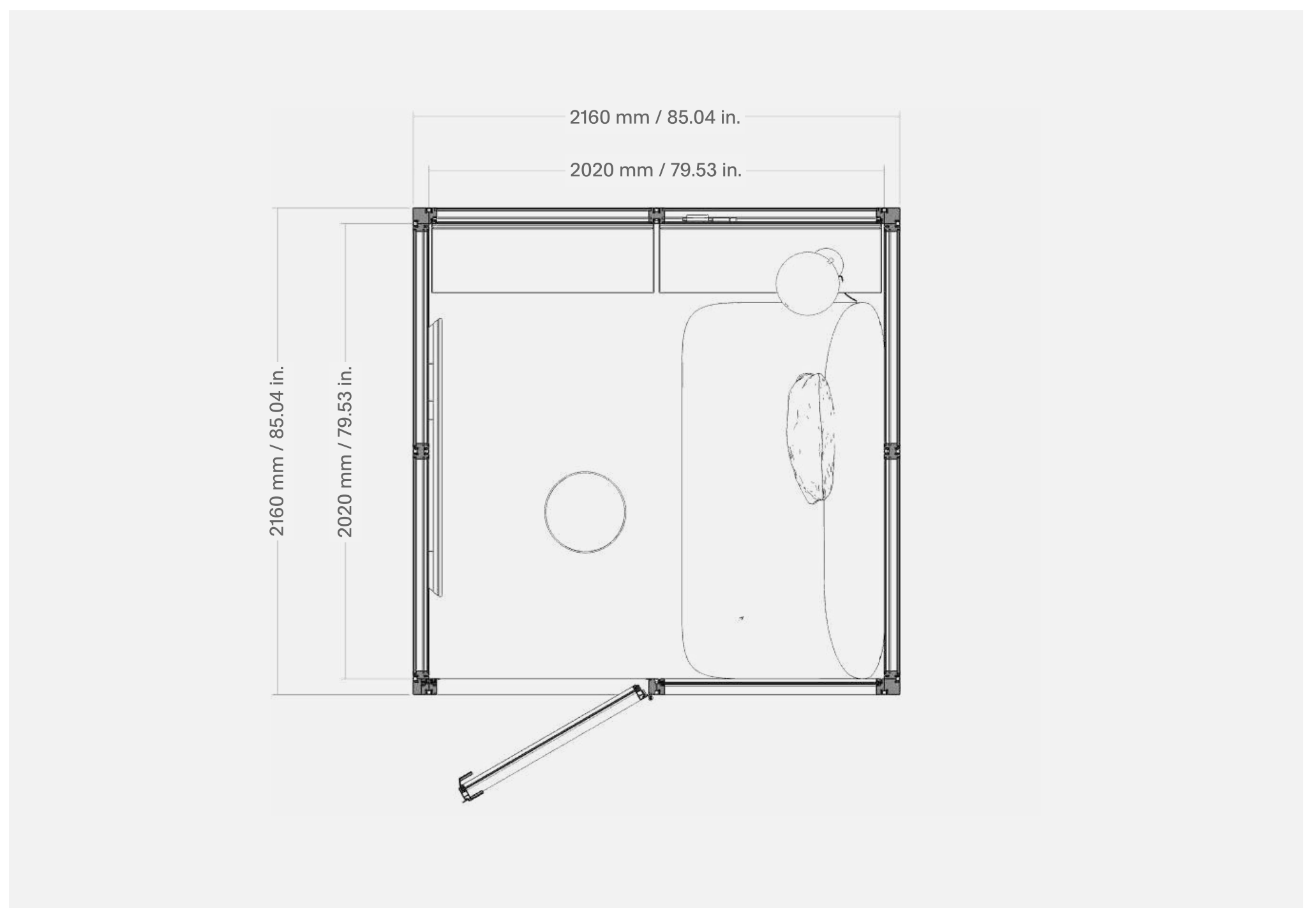
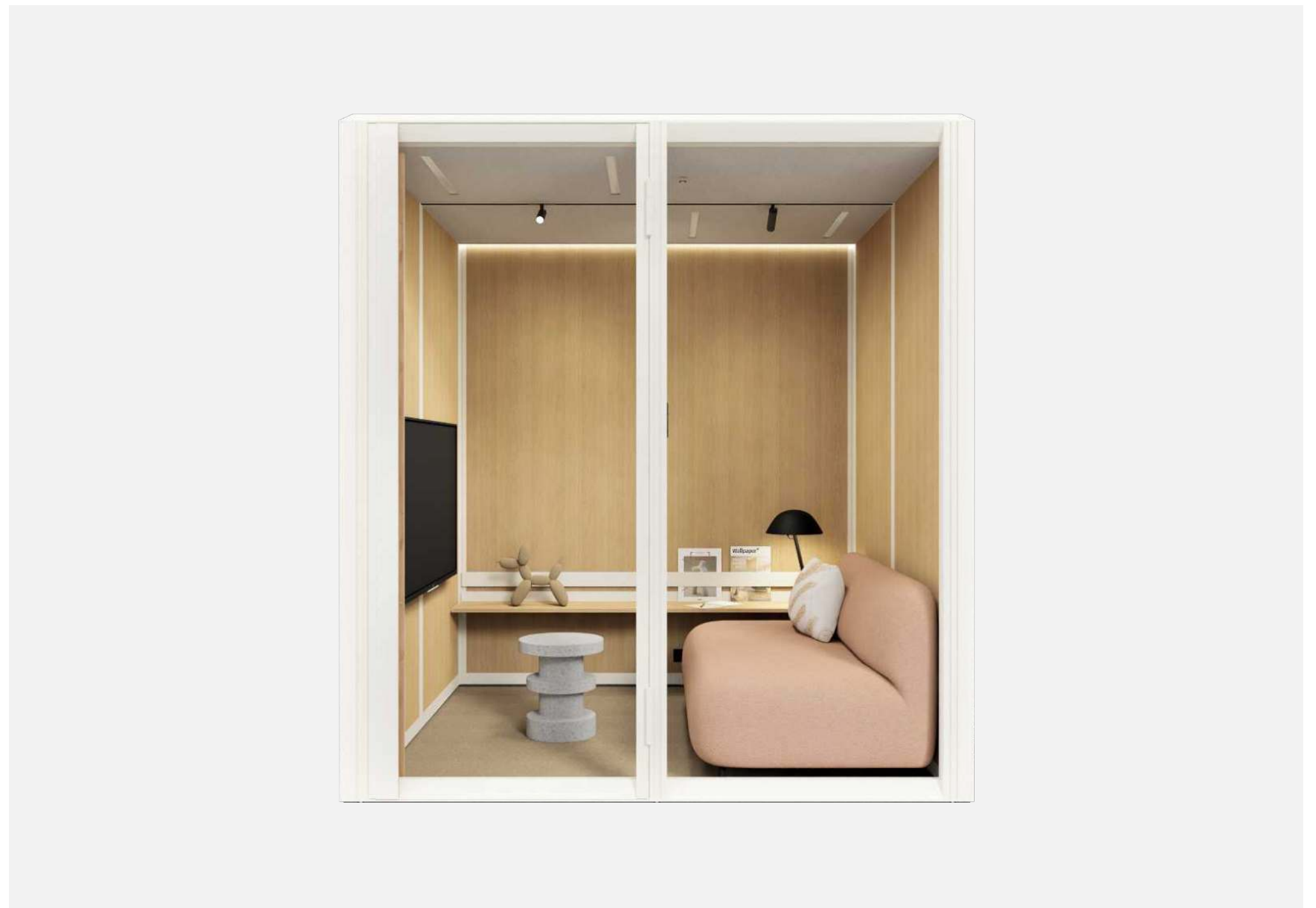
### System furniture and accessories

|    |              |
|----|--------------|
| 2x | deep shelf   |
| 2x | display rail |
| 1x | TV hanger    |

### Third party fit-out

Listed products are purely exemplary and are not sold by Mute.

|    |                                    |
|----|------------------------------------|
| 1x | sofa by Pedrali                    |
| 1x | coffee table by Normann Copenhagen |
| 1x | lamp by Wastberg                   |



Interested in this unit?

[Ask for an offer →](#)

Need more options?

[See all rooms →](#)



Room like the one specified in this card can be combined into multifunctional hubs.

Elements of the Modular system may change.

Specification of the product will be verified while preparing an offer and may also be modified on the client's request.

# Modular | MUTE.

Room name  
**Lounge 3×1 p2.v1.0**

Function  
**Lounge**

Modular size  
**3×1**

Capacity  
**2 people**

Room type  
**Open**

## Dimensions (W × L × H)

Exterior 3170 × 1150 × 2400 mm  
124.80 × 45.28 × 94.49 in.  
Interior 3030 × 1010 × 2250 mm  
119.29 × 39.76 × 88.58 in.

## Description

This room for relaxing provides space up to 2 people. It's equipped with dedicated furniture and accessories, finished with third-party fit-outs.

It is a part of Modular Lounge set – cozy areas for less-formal meet-ups and every casual occasion. Perfect for a waiting lounge, chill-out area, or gaming room.

## Colors



## Construction

Also available without electricity

|    |  |
|----|--|
| 3× | solid wall module 1010 mm / 39.76 in.            |
| 2× | perforated metal wall module 1010 mm / 39.76 in. |
| 3× | ceiling module                                   |
| 1× | modular electric socket                          |
| 1× | control panel                                    |
| ✓  | overhanging ceiling profile                      |
| ✓  | integrated linear lamp                           |

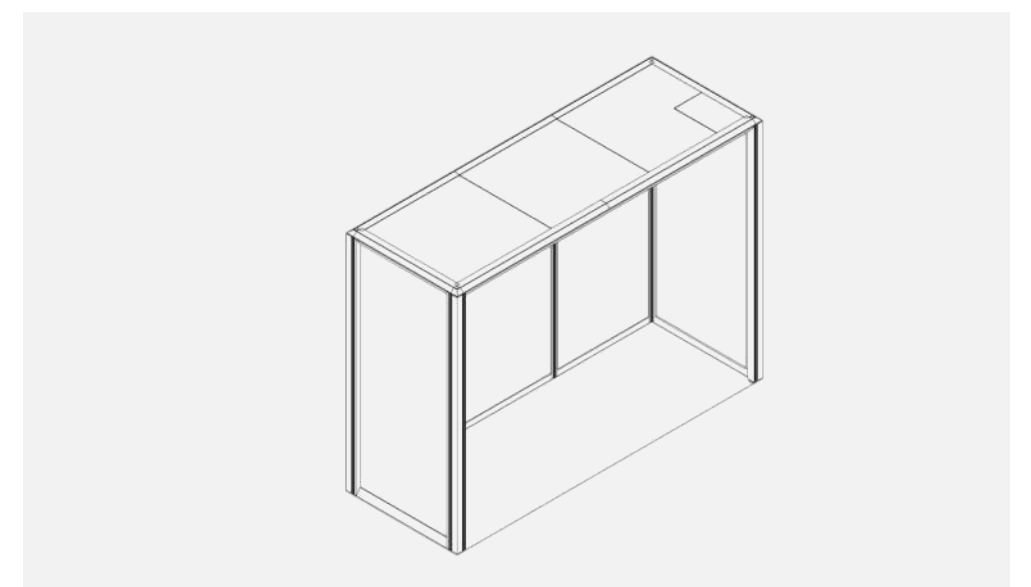
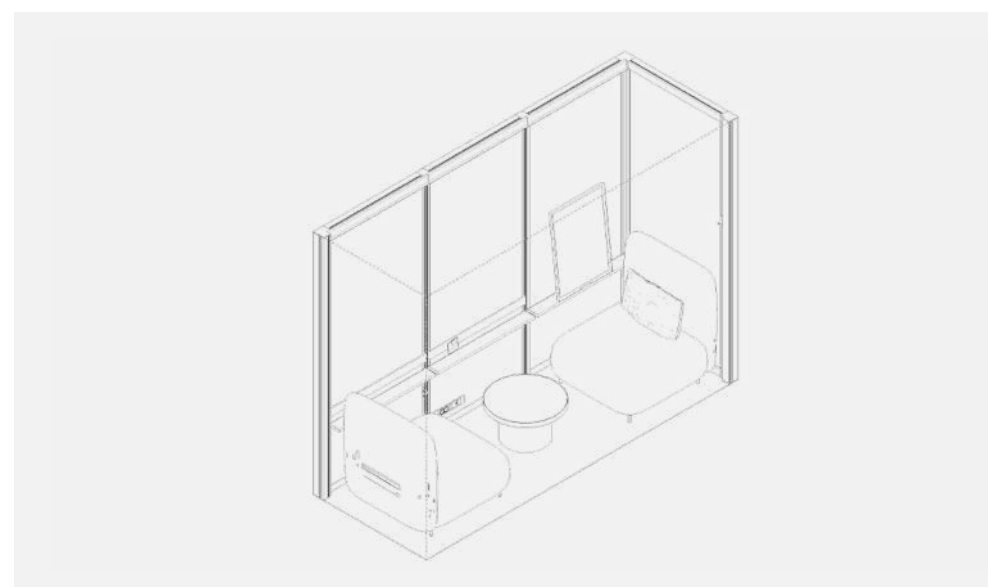
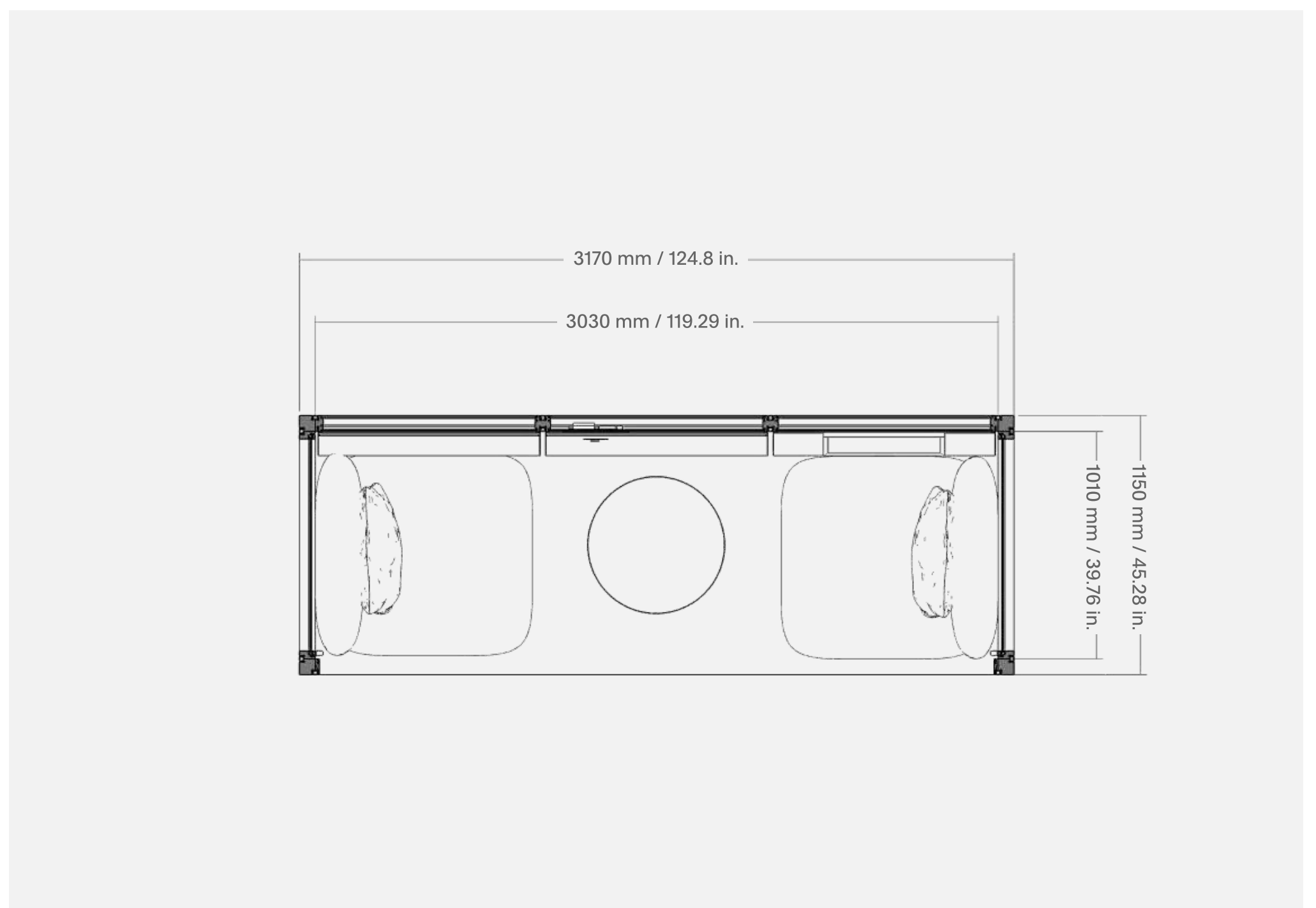
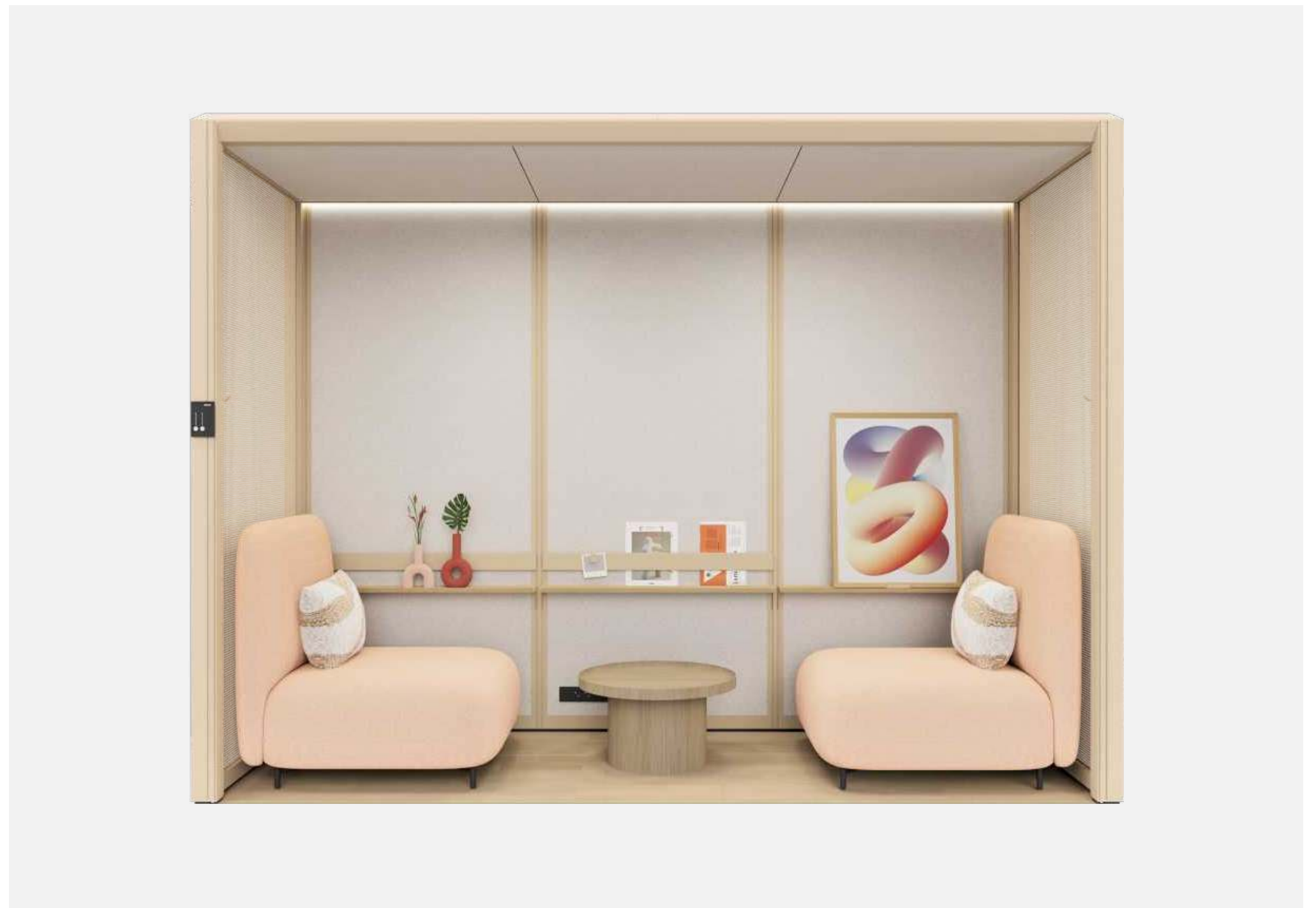
## System furniture and accessories

|    |               |
|----|---------------|
| 3× | shallow shelf |
| 2× | display rail  |
| 2× | magnet        |
| 2× | wall hook     |
| 1× | display stand |

## Third party fit-out

Listed products are purely exemplary and are not sold by Mute.

|    |                         |
|----|-------------------------|
| 2× | lounge chair by Pedrali |
| 1× | coffee table by Bolia   |



Interested in this unit?

[Ask for an offer →](#)

Need more options?

[See all rooms →](#)



Room like the one specified in this card can be combined into multifunctional hubs.

Elements of the Modular system may change.

Specification of the product will be verified while preparing an offer and may also be modified on the client's request.

# Modular | MUTE.

Room name  
**Lounge 3×1 p4.v1.O**

Function  
**Lounge**

Modular size  
**3×1**

Capacity  
**4 people**

Room type  
**Open**

## Dimensions (W × L × H)

Exterior 3170 × 1150 × 2400 mm  
124.80 × 45.28 × 94.49 in.  
Interior 3030 × 1010 × 2250 mm  
119.29 × 39.76 × 88.58 in.

## Description

This room for relaxing provides space for four people. It's equipped with dedicated furniture and accessories, finished with third-party fit-outs.

It is a part of Modular Lounge set – cozy areas for less-formal meet-ups and every casual occasion. Perfect for a waiting lounge, chill-out area, or gaming room.

## Colors



## Construction

Also available without electricity

|    |  |
|----|--|
| 3× | solid wall module 1010 mm / 39.76 in.            |
| 2× | perforated metal wall module 1010 mm / 39.76 in. |
| 3× | ceiling module                                   |
| 2× | modular electric socket                          |
| 1× | control panel                                    |
| ✓  | integrated linear lamp                           |
| ✓  | overhanging ceiling profile                      |

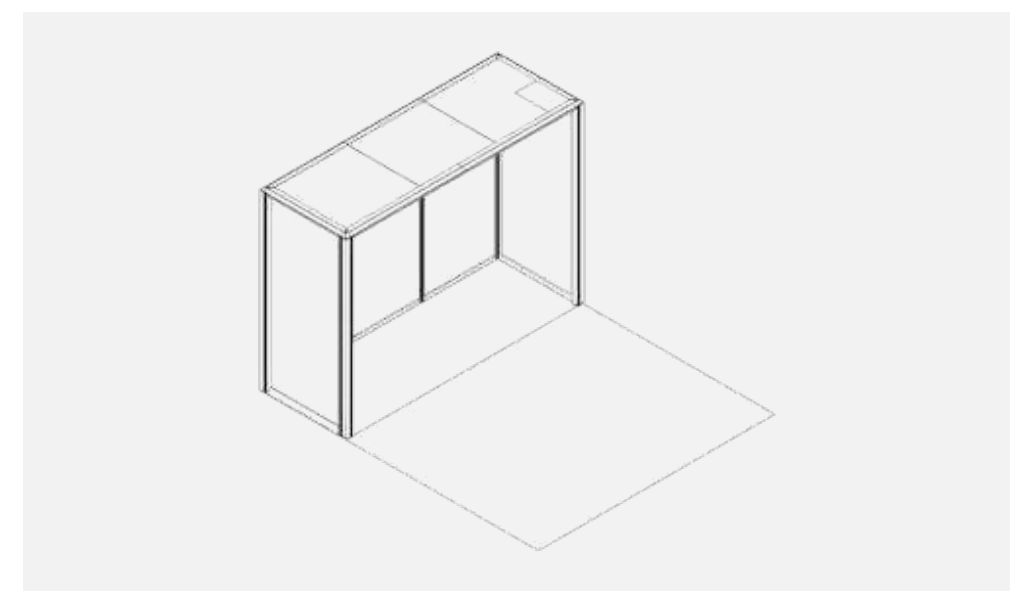
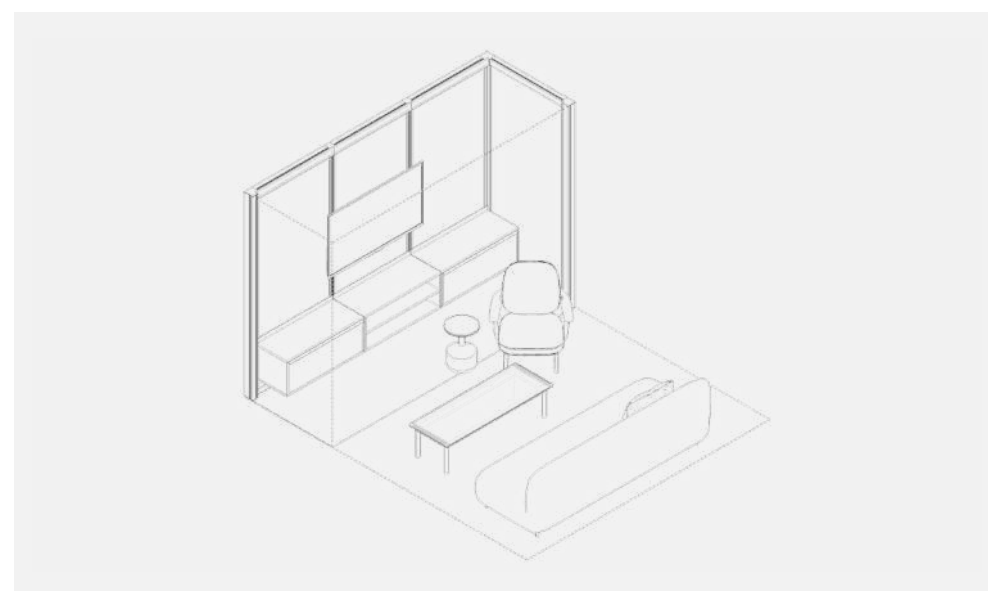
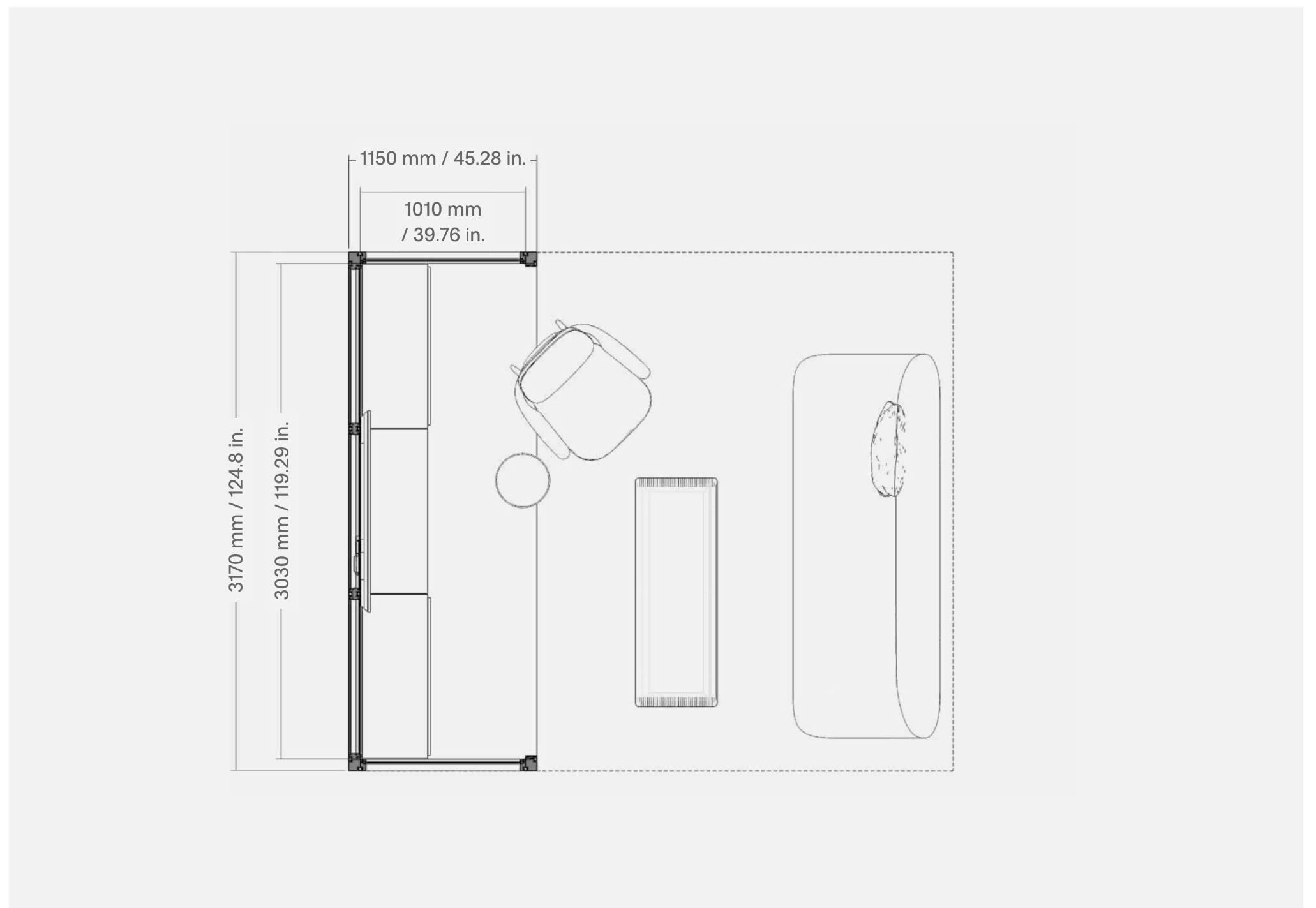
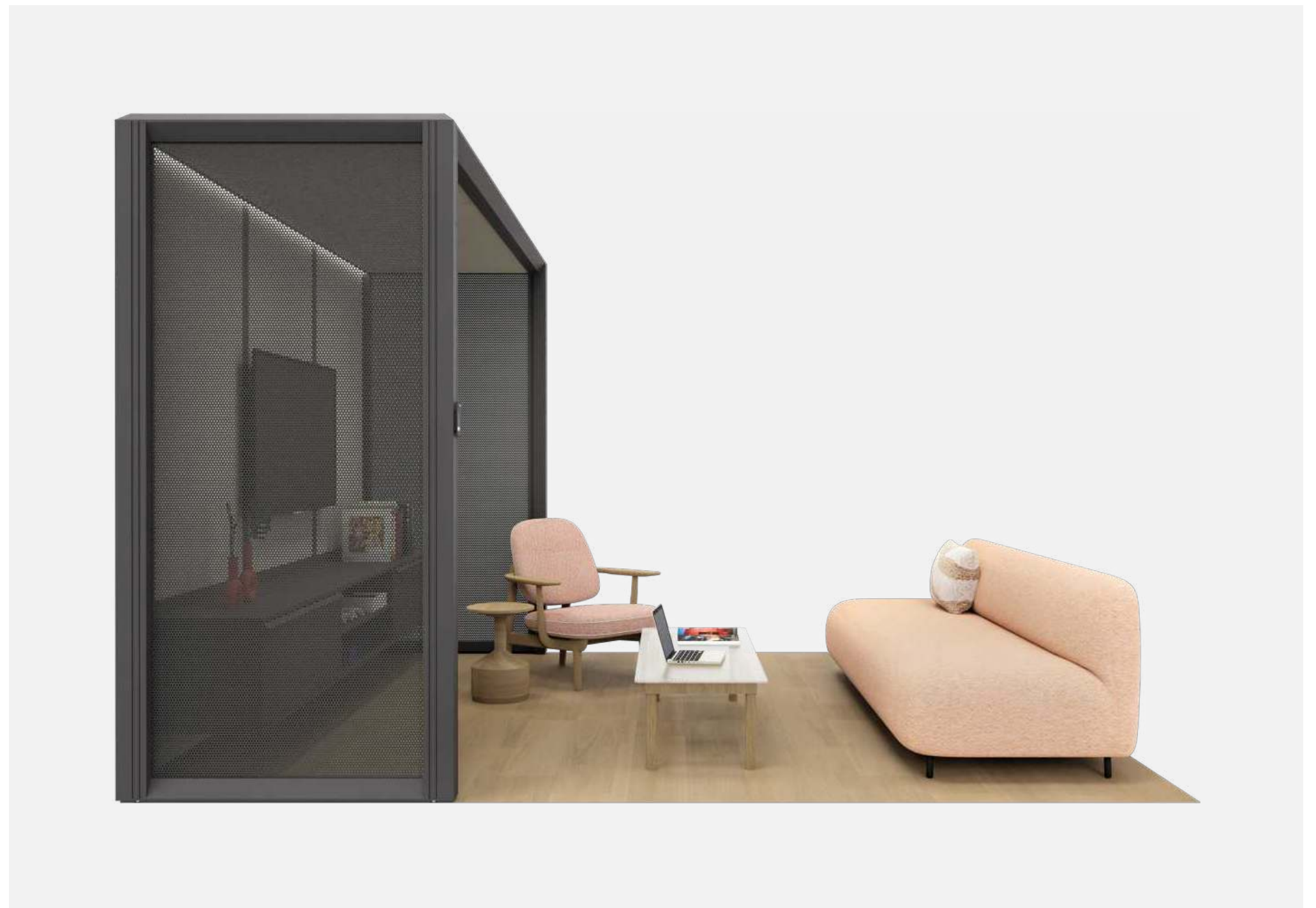
## System furniture and accessories

|    |                     |
|----|---------------------|
| 1× | open shelf cabinet  |
| 2× | deep drawer cabinet |
| 1× | TV hanger           |

## Third party fit-out

Listed products are purely exemplary and are not sold by Mute.

|    |                          |
|----|--------------------------|
| 1× | sofa by Pedrali          |
| 1× | armchair by Fritz Hansen |
| 1× | coffee table by Hay      |
| 1× | stool by Miniforms       |



Interested in this unit?

[Ask for an offer →](#)

Need more options?

[See all rooms →](#)



Room like the one specified in this card can be combined into multifunctional hubs.

Elements of the Modular system may change.

Specification of the product will be verified while preparing an offer and may also be modified on the client's request.

# Modular | MUTE.

Room name

## Lounge 2×3 p2.v1.O

Function  
Lounge

Modular size  
2×3

Capacity  
2 people

Room type  
Open

### Dimensions (W × L × H)

Exterior 2160 × 3170 × 2400 mm  
85.04 × 124.80 × 94.49 in.  
Interior 2020 × 3030 × 2250 mm  
79.53 × 119.29 × 88.58 in.

### Description

This room for relaxing provides space for two people. It's equipped with dedicated furniture and accessories, finished with third-party fit-outs.

It is a part of Modular Lounge set – cozy areas for less-formal meet-ups and every casual occasion. Perfect for a waiting lounge, chill-out area, or gaming room.

### Colors



### Construction

|    |   |
|----|---|
| 6× | solid wall module 1010 mm / 39.76 in.   |
| 2× | slatted wall module 1010 mm / 39.76 in. |
| 6× | ceiling module                          |
| 2× | modular electric socket                 |
| 1× | control panel                           |
| 3× | Flask track lighting                    |
| ✓  | overhanging ceiling profile             |
| ✓  | integrated linear lamp                  |

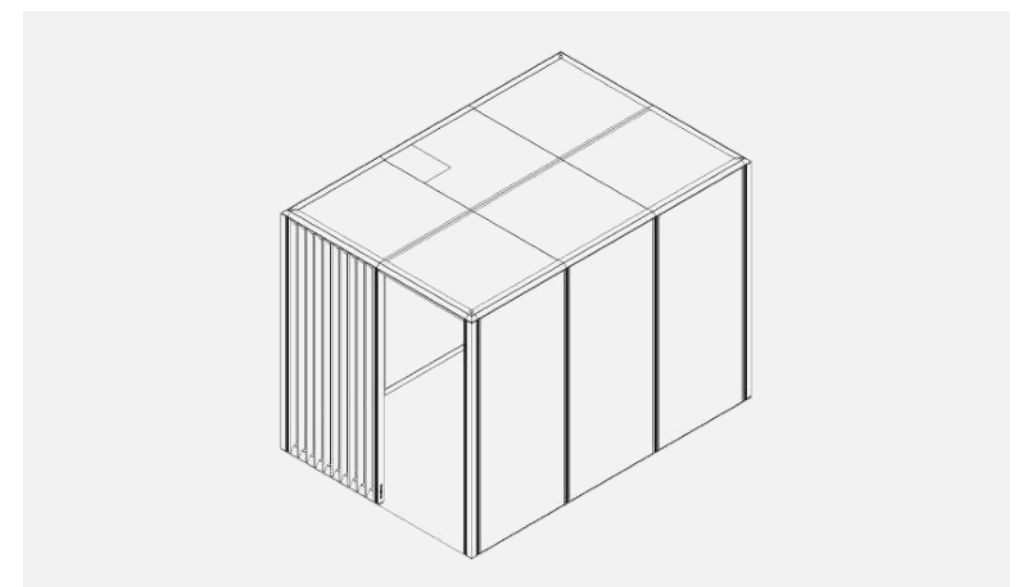
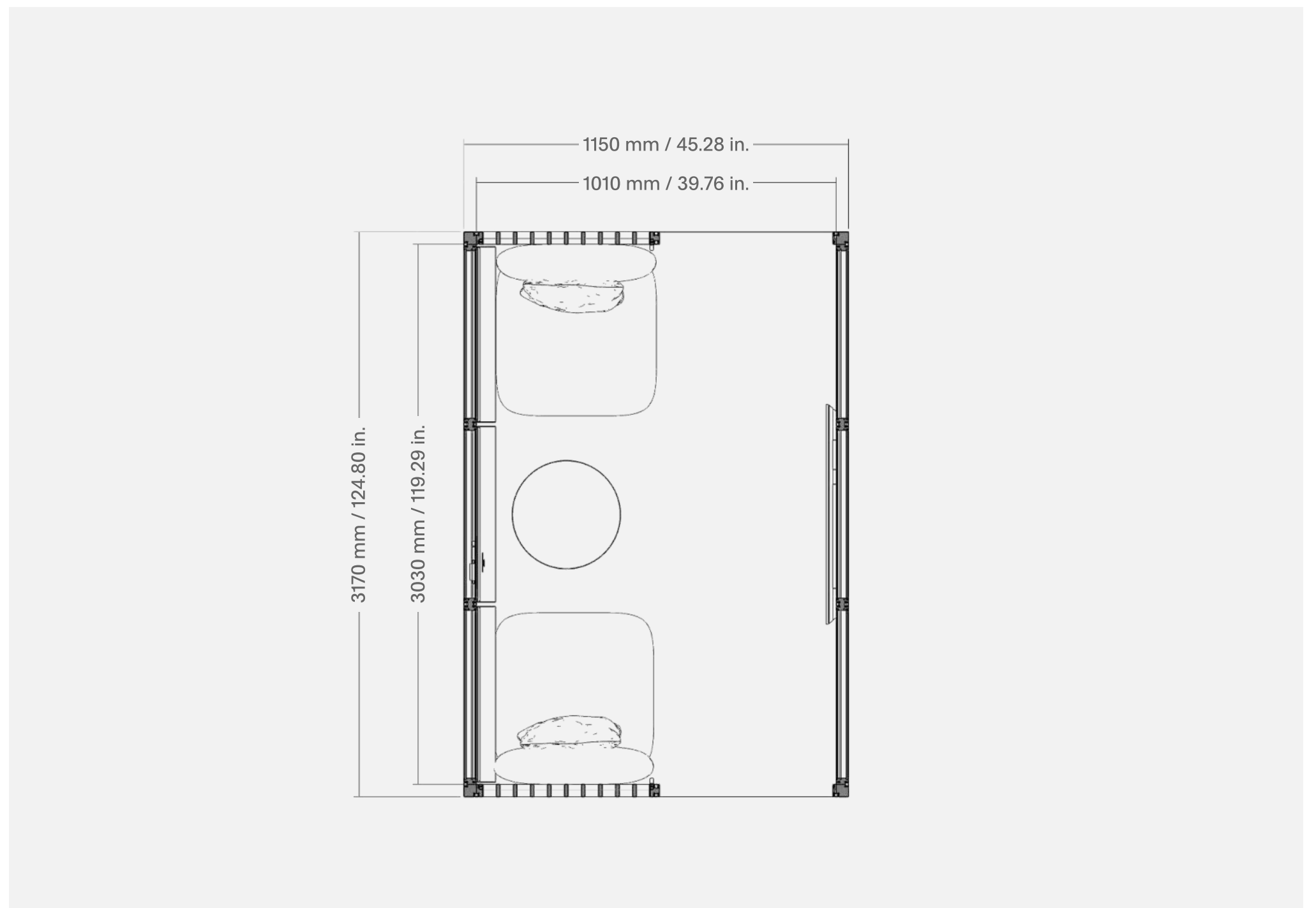
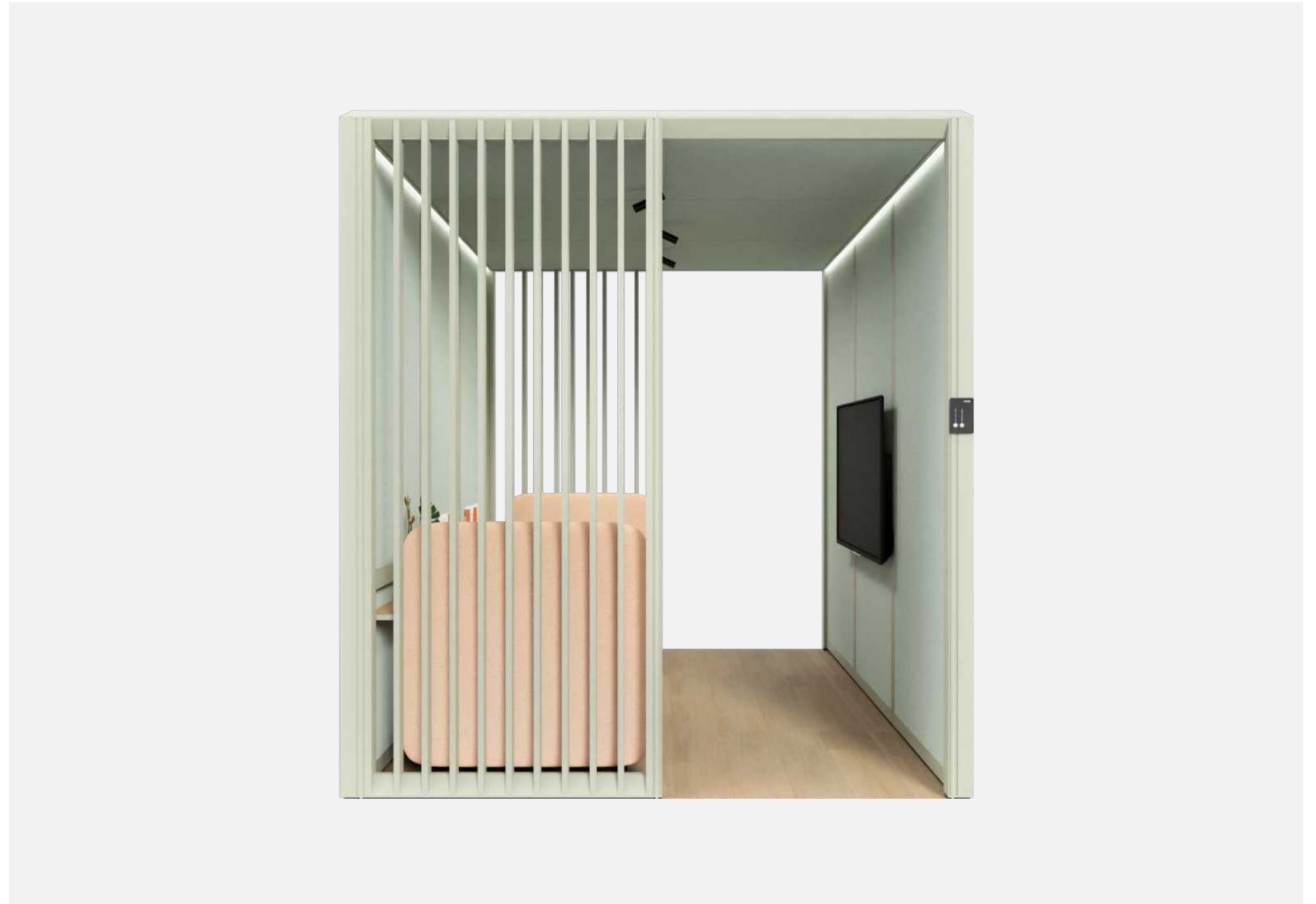
### System furniture and accessories

|    |               |
|----|---------------|
| 3× | shallow shelf |
| 1× | TV hanger     |
| 3× | display rail  |
| 2× | magnet        |
| 2× | wall hook     |

### Third party fit-out

Listed products are purely exemplary and are not sold by Mute.

|    |                       |
|----|-----------------------|
| 2× | armchair by Pedrali   |
| 1× | coffee table by Bolia |



Interested in this unit?

[Ask for an offer →](#)

Need more options?

[See all rooms →](#)



Room like the one specified in this card can be combined into multifunctional hubs.

Elements of the Modular system may change.

Specification of the product will be verified while preparing an offer and may also be modified on the client's request.



# Modular | MUTE.

Room name

## Lounge 3×2 p3.v1.O

Function  
Lounge

Modular size  
3×2

Capacity  
3 people

Room type  
Open

### Dimensions (W × L × H)

Exterior 3170 × 2160 × 2400 mm  
124.80 × 85.04 × 94.49 in.  
Interior 3030 × 2020 × 2250 mm  
119.29 × 79.53 × 88.58 in.

### Description

This room for relaxing provides space up to 3 people. It's equipped with dedicated furniture and accessories, finished with third-party fit-outs.

It is a part of Modular Lounge set – cozy areas for less-formal meet-ups and every casual occasion. Perfect for a waiting lounge, chill-out area, or gaming room.

### Colors



### Construction

Also available without electricity

|    |  |
|----|--|
| 3× | solid wall module 1010 mm / 39.76 in.            |
| 4× | perforated metal wall module 1010 mm / 39.76 in. |
| 6× | ceiling module                                   |
| 1× | modular electric socket                          |
| 1× | control panel                                    |
| 3× | Flask track lighting                             |
| ✓  | integrated linear lamp                           |
| ✓  | overhanging ceiling profile                      |

### System furniture and accessories

|    |                           |
|----|---------------------------|
| 1× | shallow shelf             |
| 4× | deep shelf                |
| 1× | deep shelf, right bookend |
| 2× | sliding door cabinet      |
| 1× | desk                      |
| 1× | whiteboard                |
| 1× | display rail              |
| 4× | magnet                    |
| 2× | wall hook                 |

### Third party fit-out

Listed products are purely exemplary and are not sold by Mute.

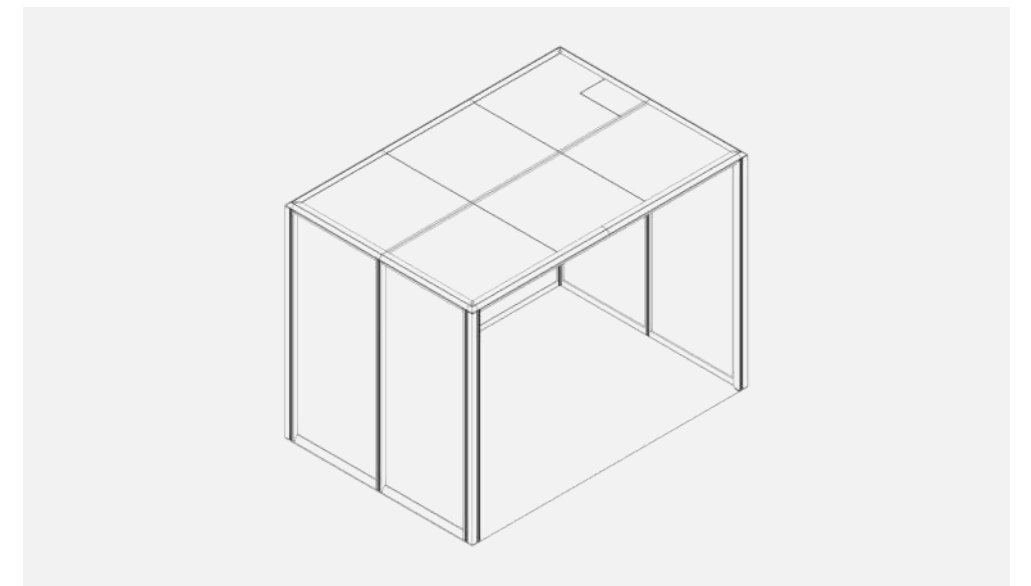
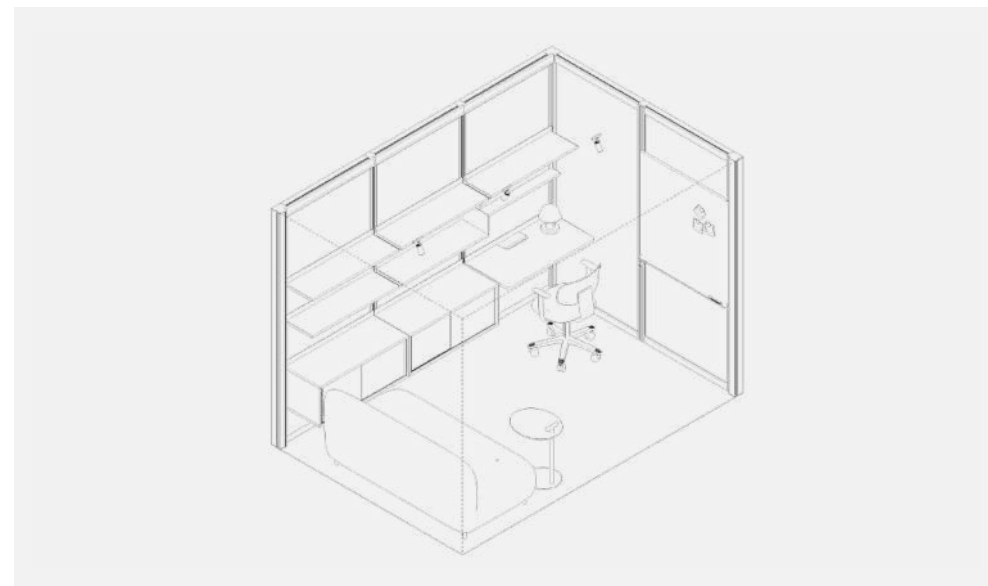
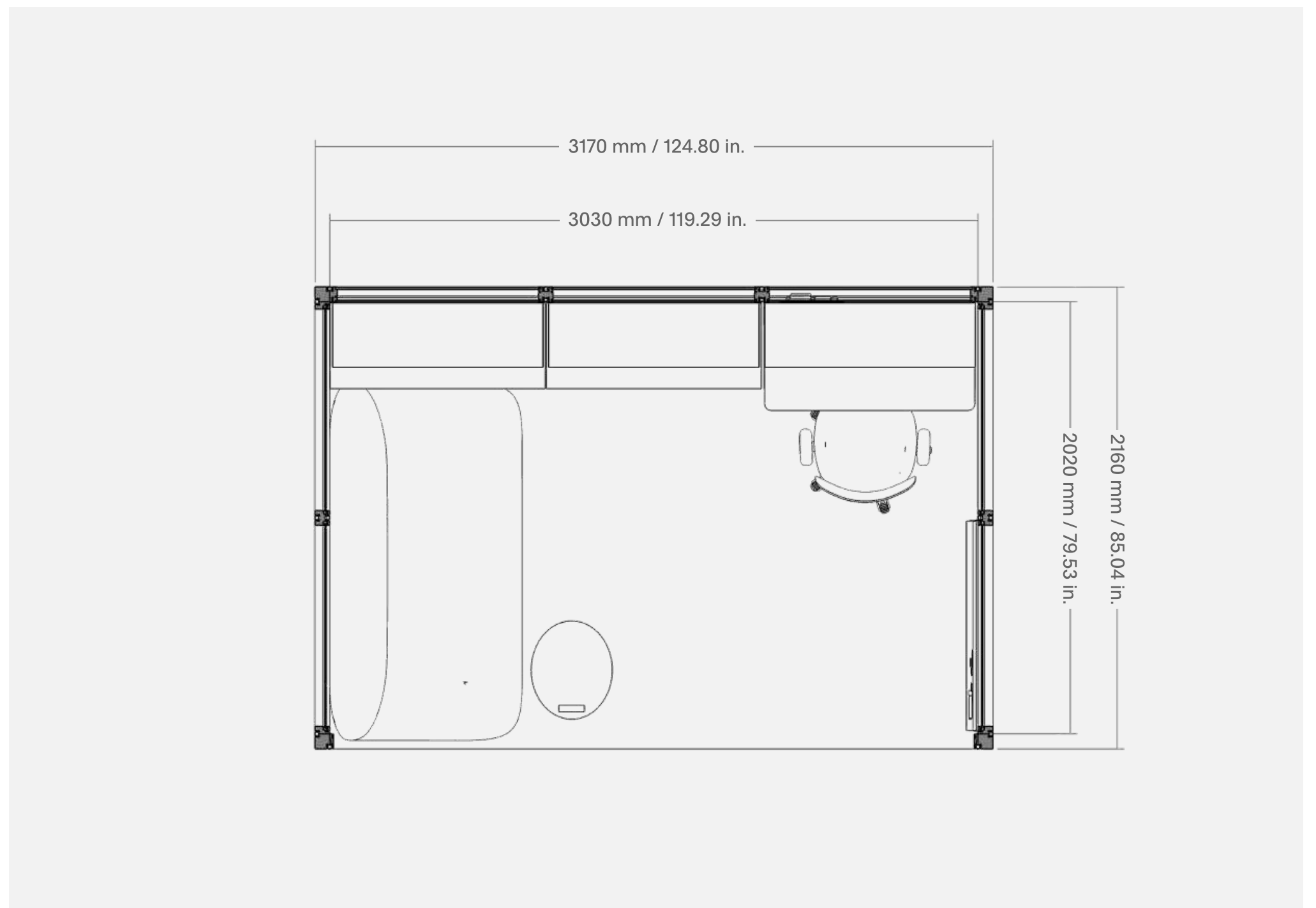
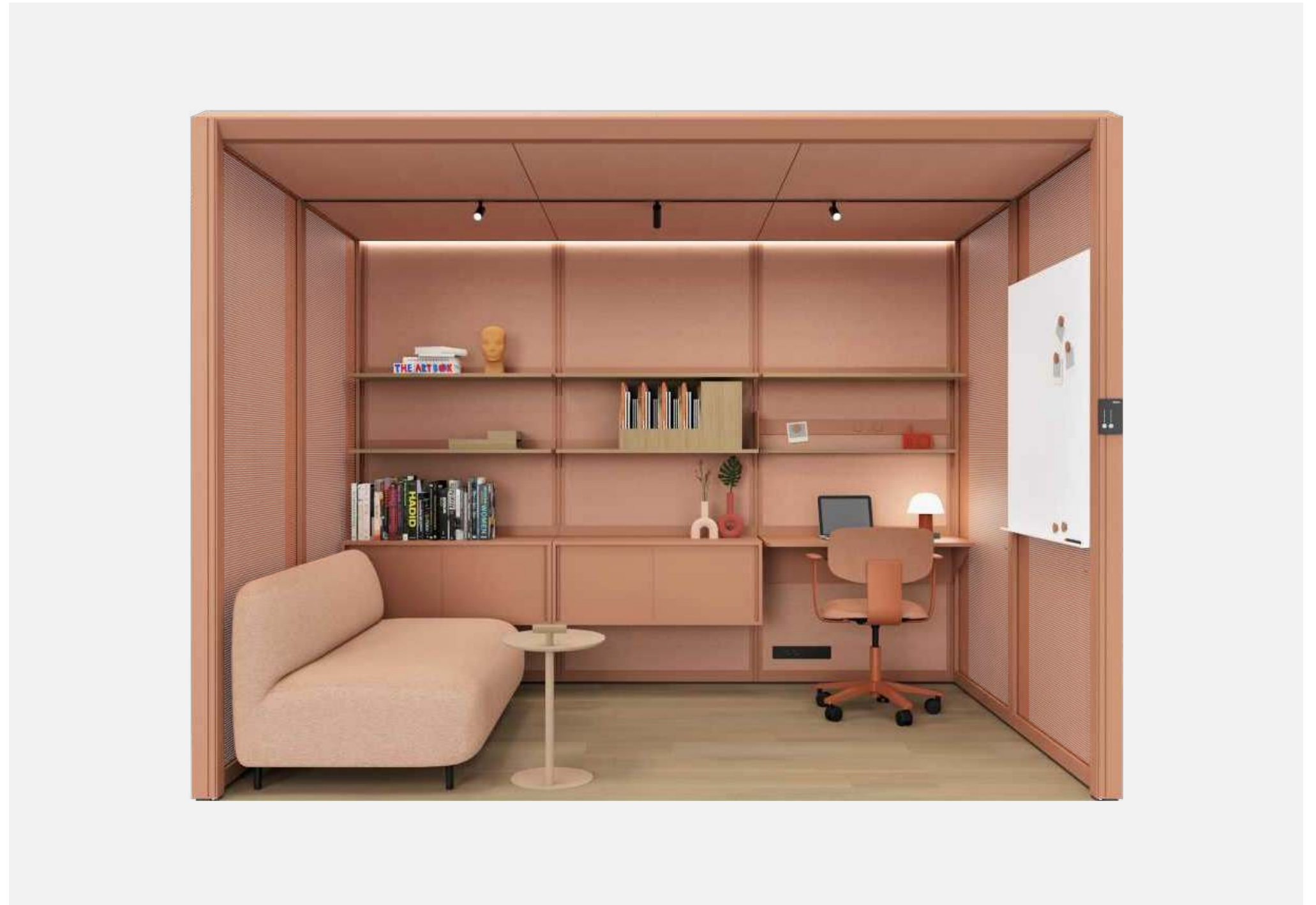
|    |                 |
|----|-----------------|
| 1× | sofa by Pedrali |
| 1× | chair by Håg    |

Room like the one specified in this card can be combined into multifunctional hubs.

Elements of the Modular system may change.

Specification of the product will be verified while preparing an offer and may also be modified on the client's request.

www.mute.design/modular



Interested in this unit?

Ask for an offer →

Need more options?

See all rooms →



© Mute 2024 | All rights reserved

# Modular | MUTE.

## Room name Lounge 3×2 p4.v1.C

Function  
Lounge

Modular size  
3×2

Capacity  
4 people

Room type  
Closed

### Dimensions (W × L × H)

Exterior 3170 × 2160 × 2400 mm  
124.80 × 85.04 × 94.49 in.  
Interior 3030 × 2020 × 2250 mm  
119.29 × 79.53 × 88.58 in.

### Description

This room for relaxing provides space up to 4 people. It's equipped with dedicated furniture and accessories, finished with third-party fit-outs.

It is a part of Modular Lounge set – cozy areas for less-formal meet-ups and every casual occasion. Perfect for a waiting lounge, chill-out area, or gaming room.

### Colors



### Construction

|    |                                       |
|----|---------------------------------------|
| 7× | solid wall module 1010 mm / 39.76 in. |
| 2× | glass wall module 1010 mm / 39.76 in. |
| 1× | left-hand glass door                  |
| 4× | ceiling module                        |
| 2× | ventilation ceiling module            |
| 2× | modular electric socket               |
| 1× | occupancy sensor                      |
| 1× | control panel                         |
| 3× | Flask track lighting                  |
| √  | integrated linear lamp                |

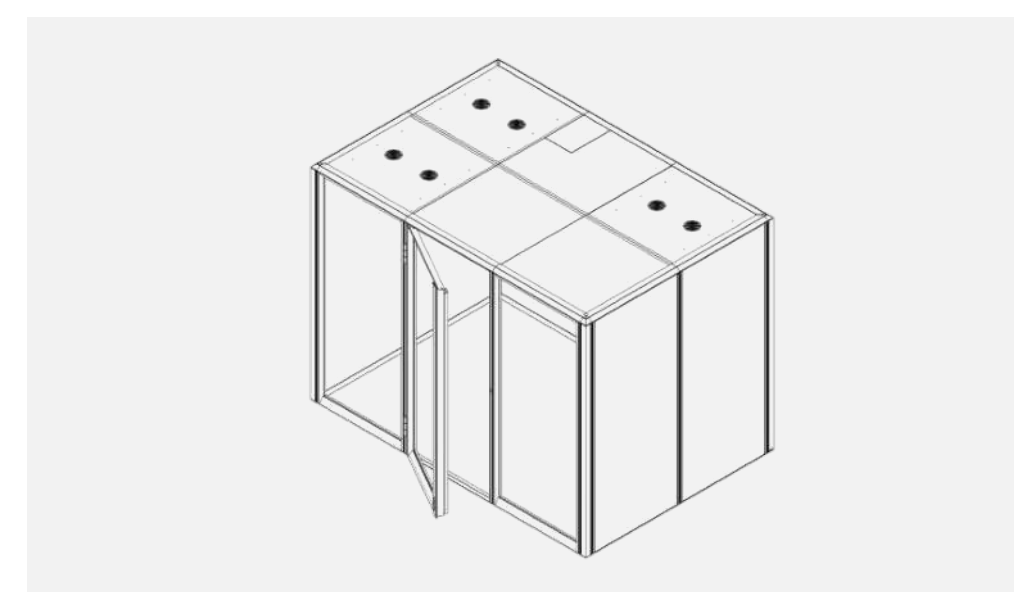
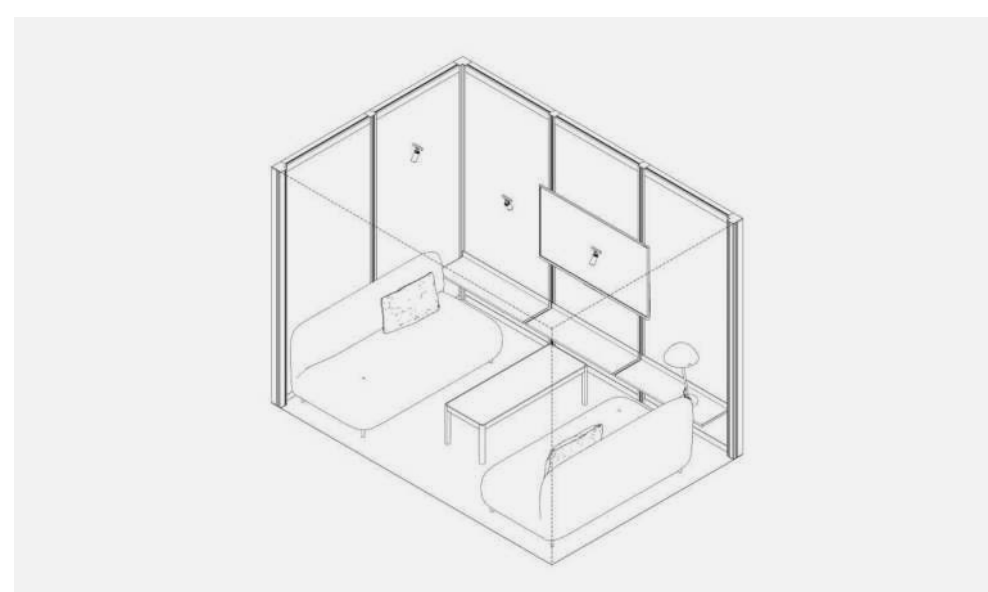
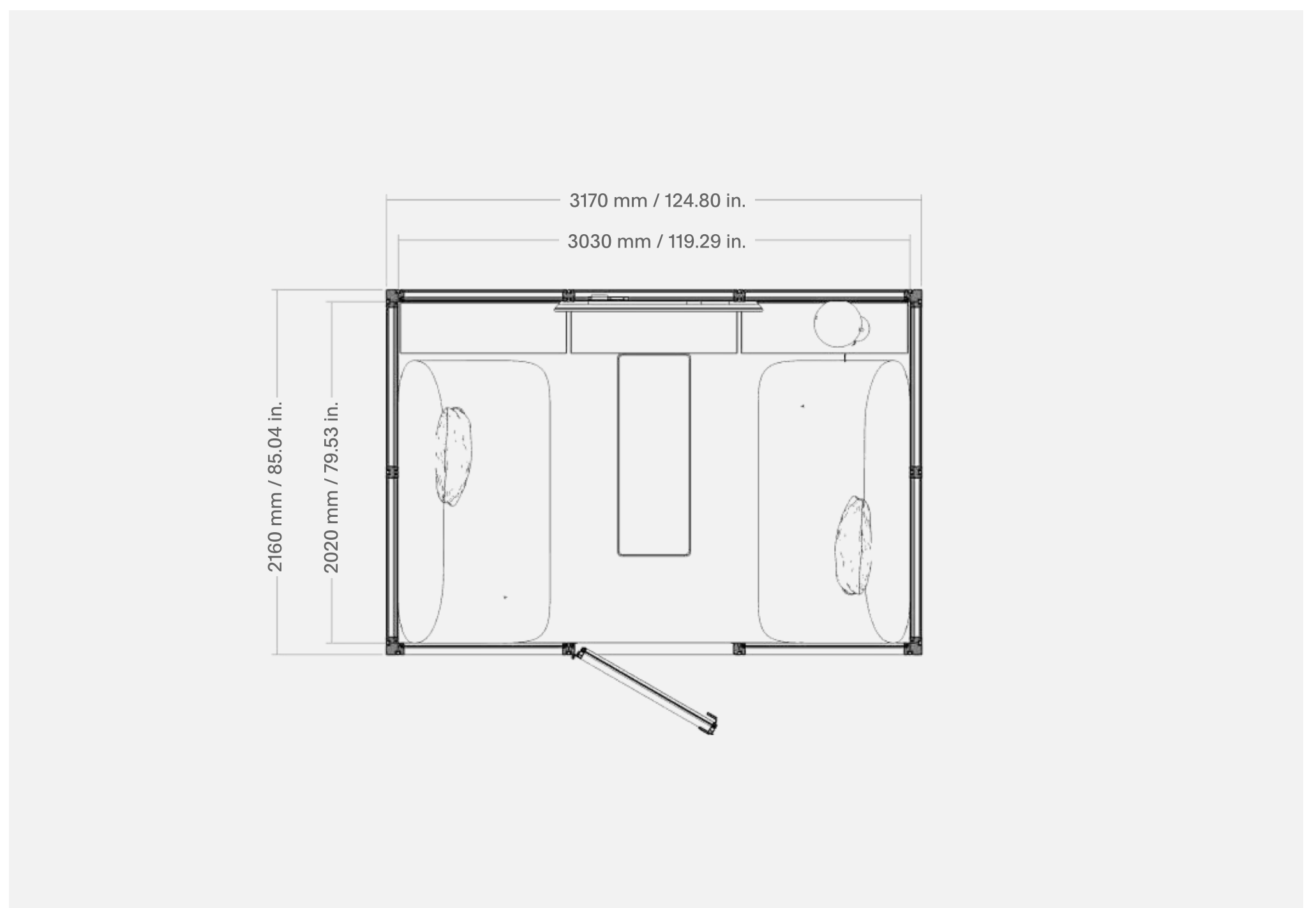
### System furniture and accessories

|    |            |
|----|------------|
| 3× | deep shelf |
| 1× | tv hanger  |
| 2× | wall hook  |

### Third party fit-out

Listed products are purely exemplary and are not sold by Mute.

|    |                        |
|----|------------------------|
| 2× | lounge sofa by Pedrali |
| 1× | coffee table by Muuto  |
| 1× | lamp by Wastberg       |



Interested in this unit?

Ask for an offer →

Need more options?

See all rooms →



Room like the one specified in this card can be combined into multifunctional hubs.

Elements of the Modular system may change.

Specification of the product will be verified while preparing an offer and may also be modified on the client's request.

# Modular | MUTE.

Room name

## Lounge 3x3 p5.v1.O

Function  
Lounge

Modular size  
3x3

Capacity  
5 people

Room type  
Open

Requires support wall

### Dimensions (W x L x H)

Exterior 3170 x 3170 x 2400 mm  
124.80 x 124.80 x 94.49 in.

Interior 3030 x 3030 x 2250 mm  
119.29 x 119.29 x 88.58 in.

### Description

This room for relaxing provides space up to 5 people. It's equipped with dedicated furniture and accessories, finished with third-party fit-outs.

It is a part of Modular Lounge set – cozy areas for less-formal meet-ups and every casual occasion. Perfect for a waiting lounge, chill-out area, or gaming room.

### Colors



### Construction

Also available without electricity

|    |                                       |
|----|---------------------------------------|
| 6x | solid wall module 1010 mm / 39.76 in. |
| 1x | modular electric socket               |
| 1x | control panel                         |
| 6x | Flask track lighting                  |
| ✓  | overhanging ceiling profile           |

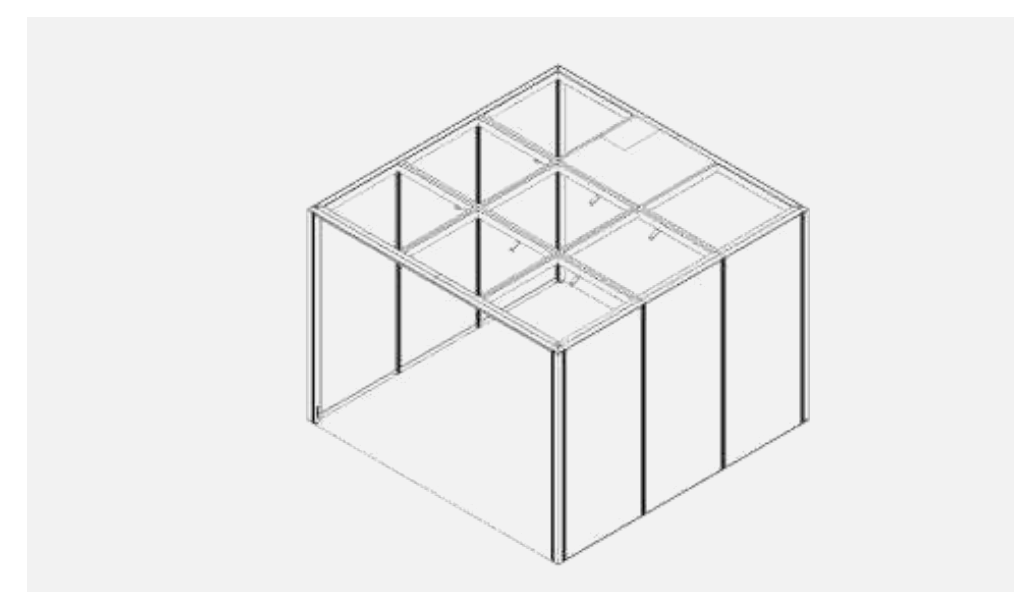
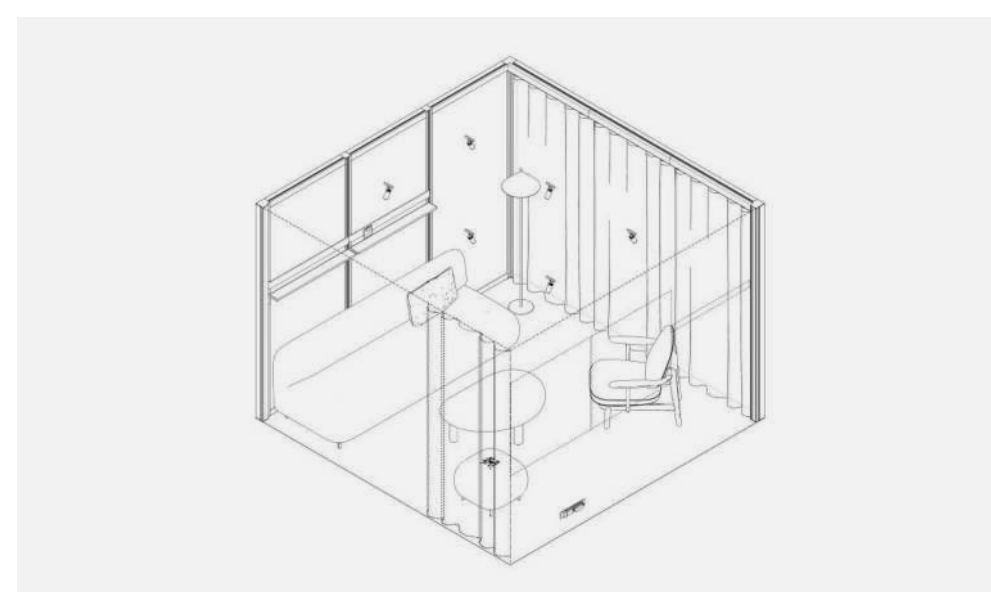
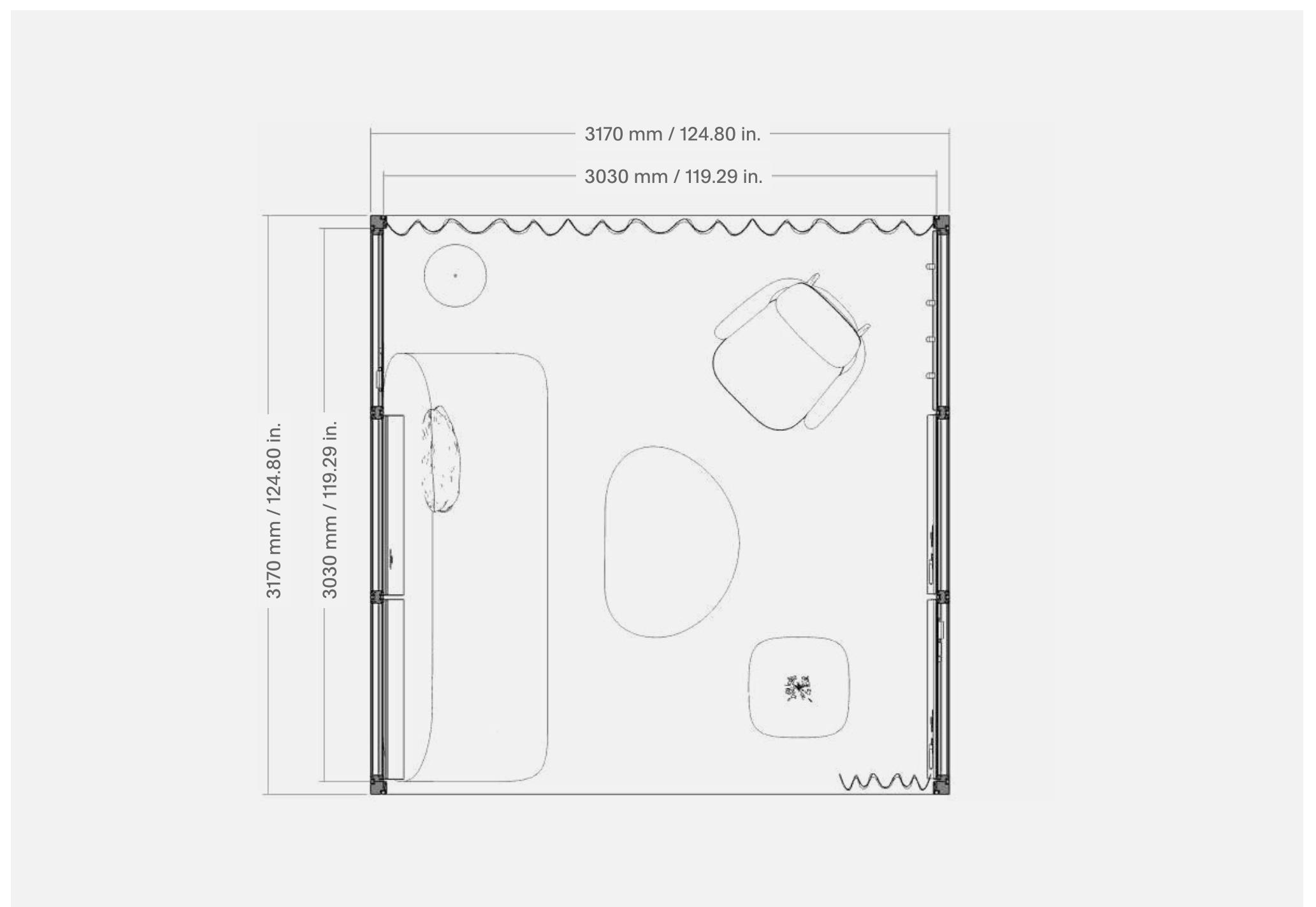
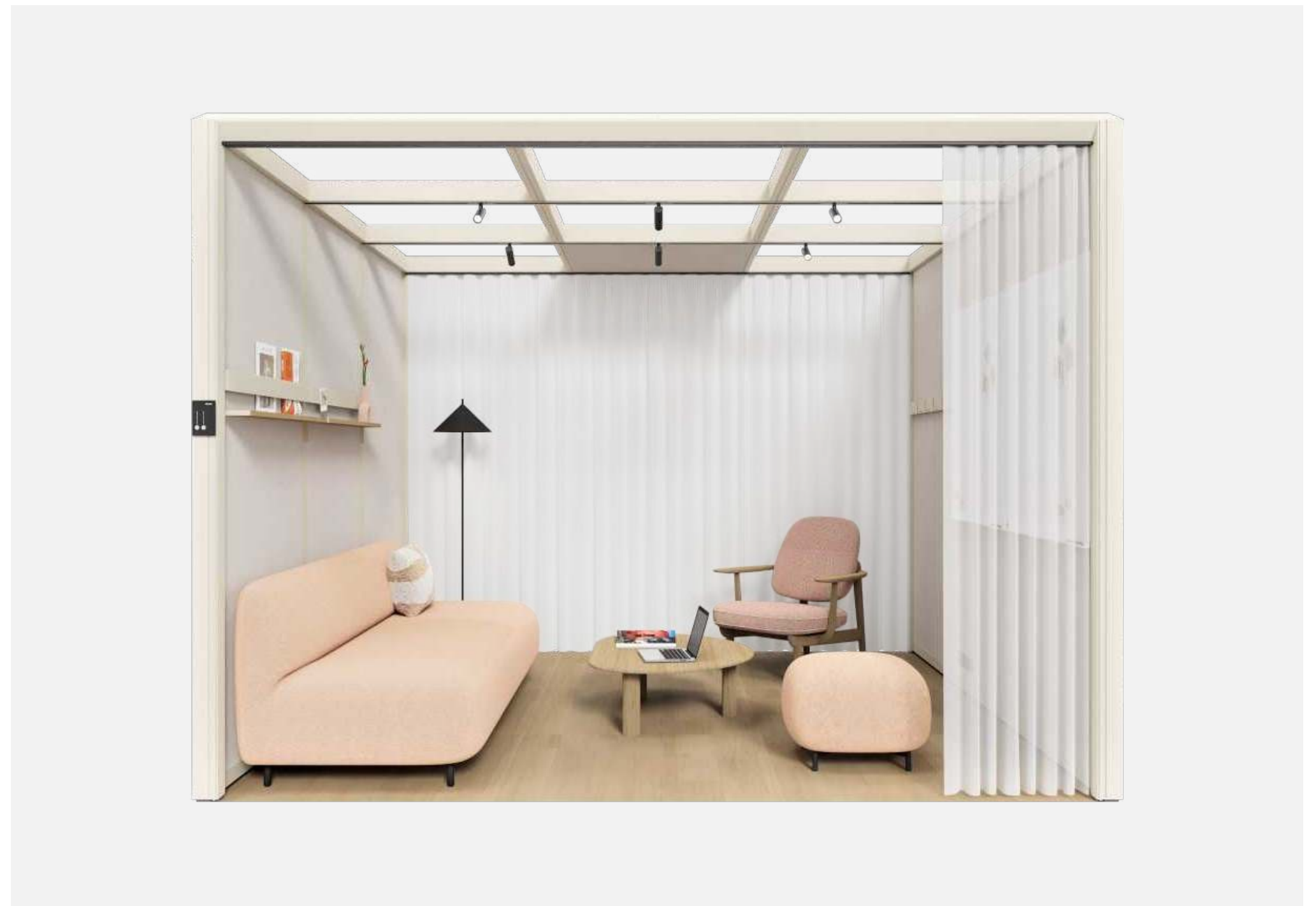
### System furniture and accessories

|    |                   |
|----|-------------------|
| ✓  | curtain rail      |
| ✓  | curtain           |
| 2x | shallow shelf     |
| 2x | whiteboard        |
| 3x | display rail      |
| 4x | display rail hook |
| 8x | magnet            |

### Third party fit-out

Listed products are purely exemplary and are not sold by Mute.

|    |                              |
|----|------------------------------|
| 1x | sofa by Pedrali              |
| 1x | pouf by Pedrali              |
| 1x | lounge chair by Fritz Hansen |
| 1x | coffee table by Arper        |
| 1x | floor lamp by HK Living      |



Interested in this unit?

Ask for an offer →

Need more options?

See all rooms →



Room like the one specified in this card can be combined into multifunctional hubs.

Elements of the Modular system may change.

Specification of the product will be verified while preparing an offer and may also be modified on the client's request.

# Modular | MUTE.

Room name

## Lounge 3x3 p5.v1.C

Function  
Lounge

Modular size  
3x3

Capacity  
5 people

Room type  
Closed

### Dimensions (W x L x H)

Exterior 3170 x 3170 x 2400 mm  
124.80 x 124.80 x 94.49 in.  
Interior 3030 x 3030 x 2250 mm  
119.29 x 119.29 x 88.58 in.

### Description

This room for relaxing provides space up to 5 people. It's equipped with dedicated furniture and accessories, finished with third-party fit-outs.

It is a part of Modular Lounge set – cozy areas for less-formal meet-ups and every casual occasion. Perfect for a waiting lounge, chill-out area, or gaming room.

### Colors



### Construction

|    |  |    |                         |
|----|--|----|-------------------------|
| 6x | solid wall module<br>1010 mm / 39.76 in. | 1x | modular electric socket |
|    |  | 1x | occupancy sensor        |
| 5x | glass wall module<br>1010 mm / 39.76 in. | 1x | control panel           |
|    |  | 6x | Flask track lighting    |
| 1x | right-hand glass door                    | ✓  | integrated linear lamp  |
| 5x | ceiling module                           |    |                         |
| 4x | ventilation ceiling module               |    |                         |

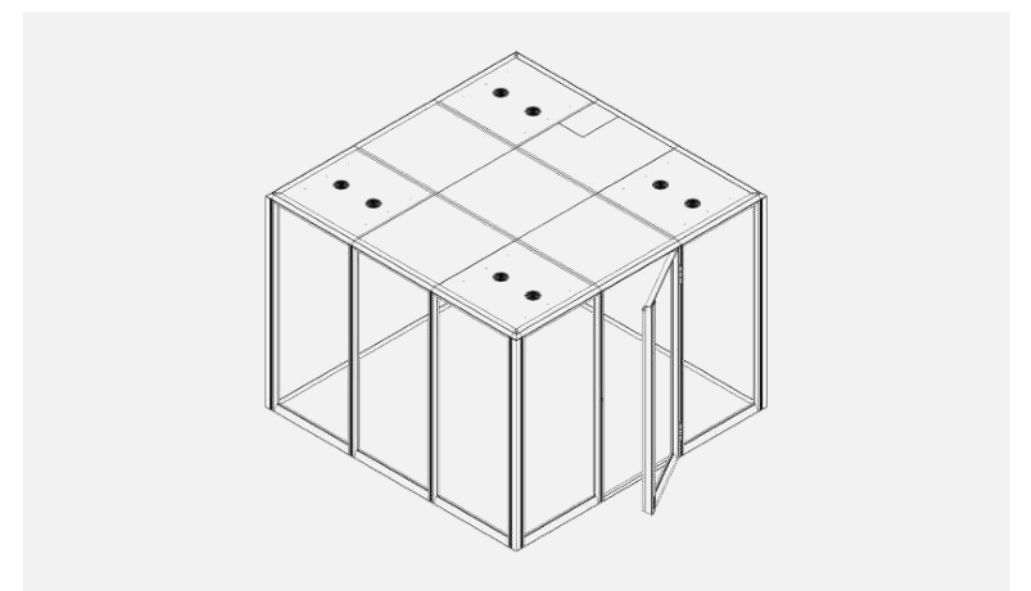
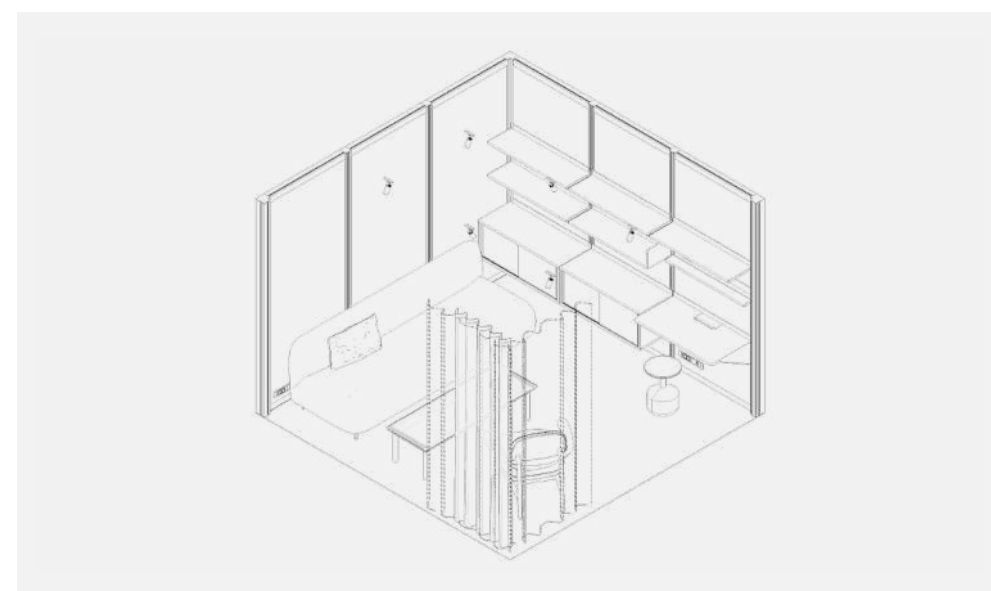
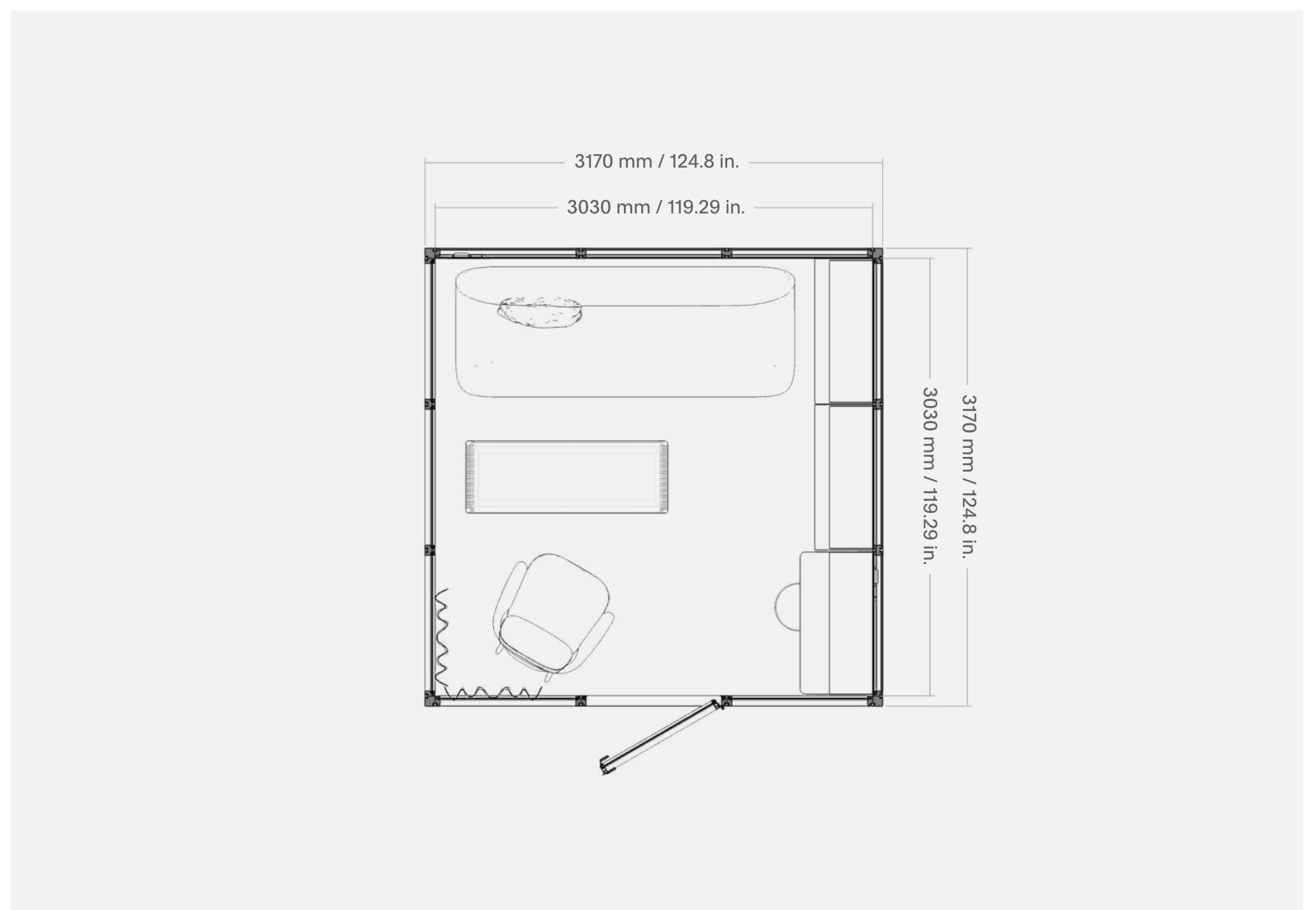
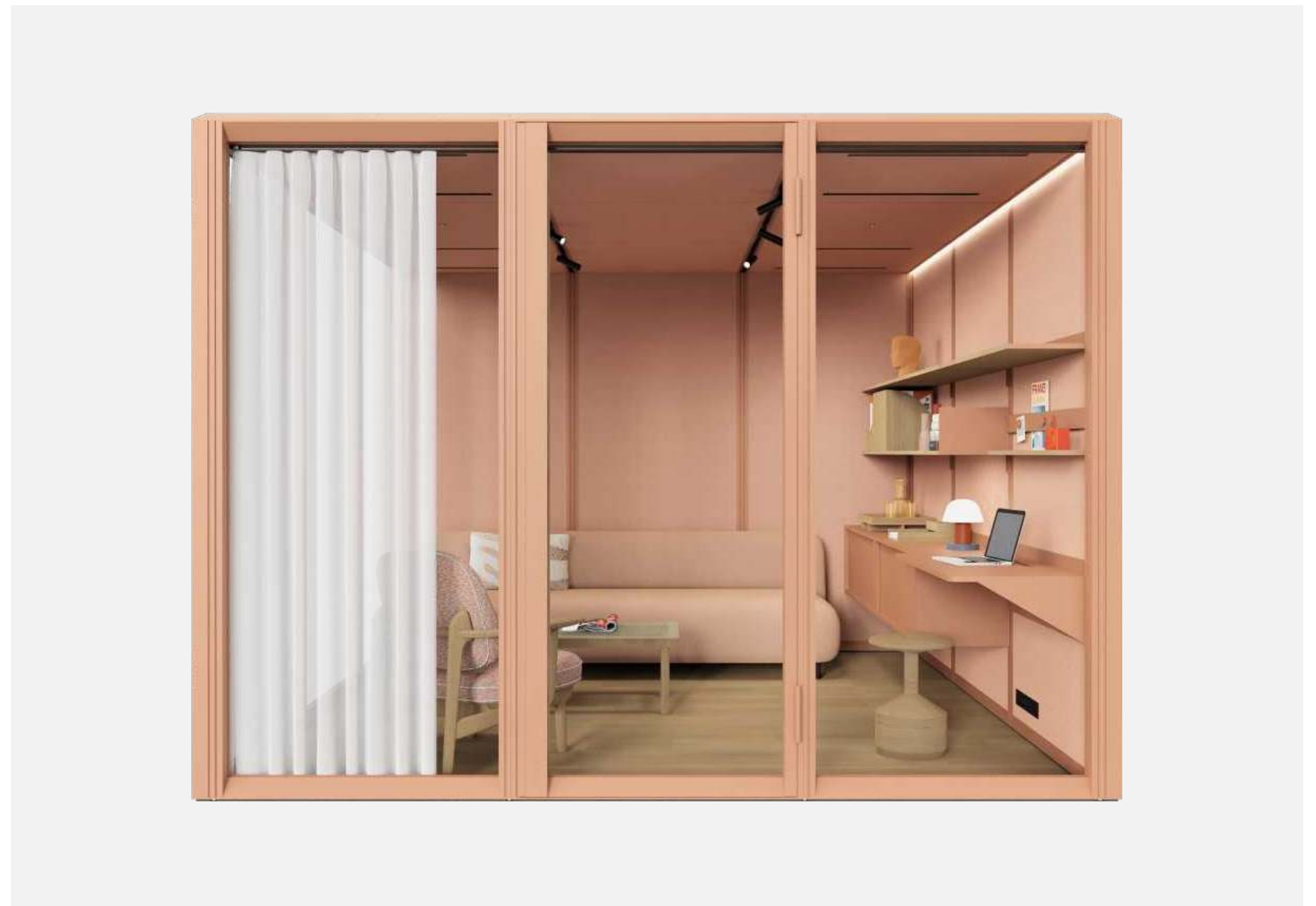
### System furniture and accessories

|    |                           |    |                      |
|----|---------------------------|----|----------------------|
| ✓  | curtain rail              | 2x | sliding door cabinet |
| ✓  | curtain                   | 1x | desk                 |
| 1x | shallow shelf             | 1x | display rail         |
| 4x | deep shelf                | 2x | magnet               |
| 1x | deep shelf, right bookend |    |                      |

### Third party fit-out

Listed products are purely exemplary and are not sold by Mute.

|    |                       |
|----|-----------------------|
| 1x | chair by Håg          |
| 1x | sofa by Pedrali       |
| 1x | coffee table by Arper |



Interested in this unit?

[Ask for an offer →](#)

Need more options?

[See all rooms →](#)



Room like the one specified in this card can be combined into multifunctional hubs.

Elements of the Modular system may change.

Specification of the product will be verified while preparing an offer and may also be modified on the client's request.



# Modular | MUTE.

## Name Support 2x0,5 v1.0

Function  
Support

Modular size  
2x0,5

Capacity  
-

Type  
Open

Requires support wall

### Dimensions (W × L × H)

Exterior 2160 × 645 × 2400 mm  
85.04 × 25.39 × 94.49 in.  
Interior 2020 × 505 × 2250 mm  
79.53 × 19.88 × 88.58 in.

### Description

This room for facilitating office work provides space and functionality. It's equipped with dedicated furniture and accessories, finished with third-party fit-outs.

It is a part of Modular Support set – multi-functional areas created for back-office functions such as storage, cloakroom, coffee corner, or copy point.

### Colors



### Construction

Also available without electricity

|    |                                       |
|----|---------------------------------------|
| 2x | solid wall module 1010 mm / 39.76 in. |
| 2x | solid wall module 505 mm / 19.88 in.  |
| 2x | ceiling module                        |
| 1x | modular electric socket               |
| 1x | control panel                         |
| ✓  | integrated linear lamp                |
| ✓  | overhanging ceiling profile           |

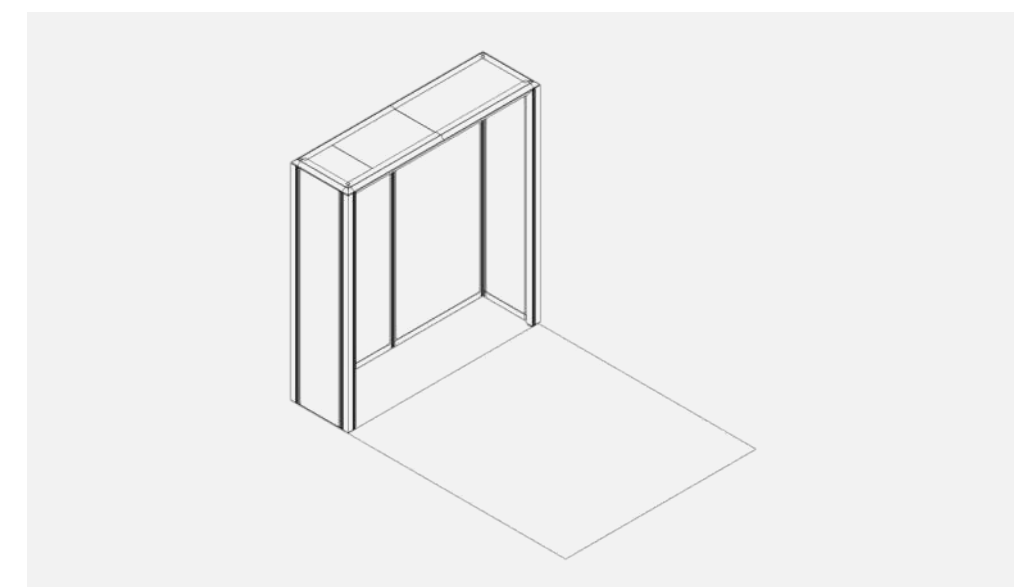
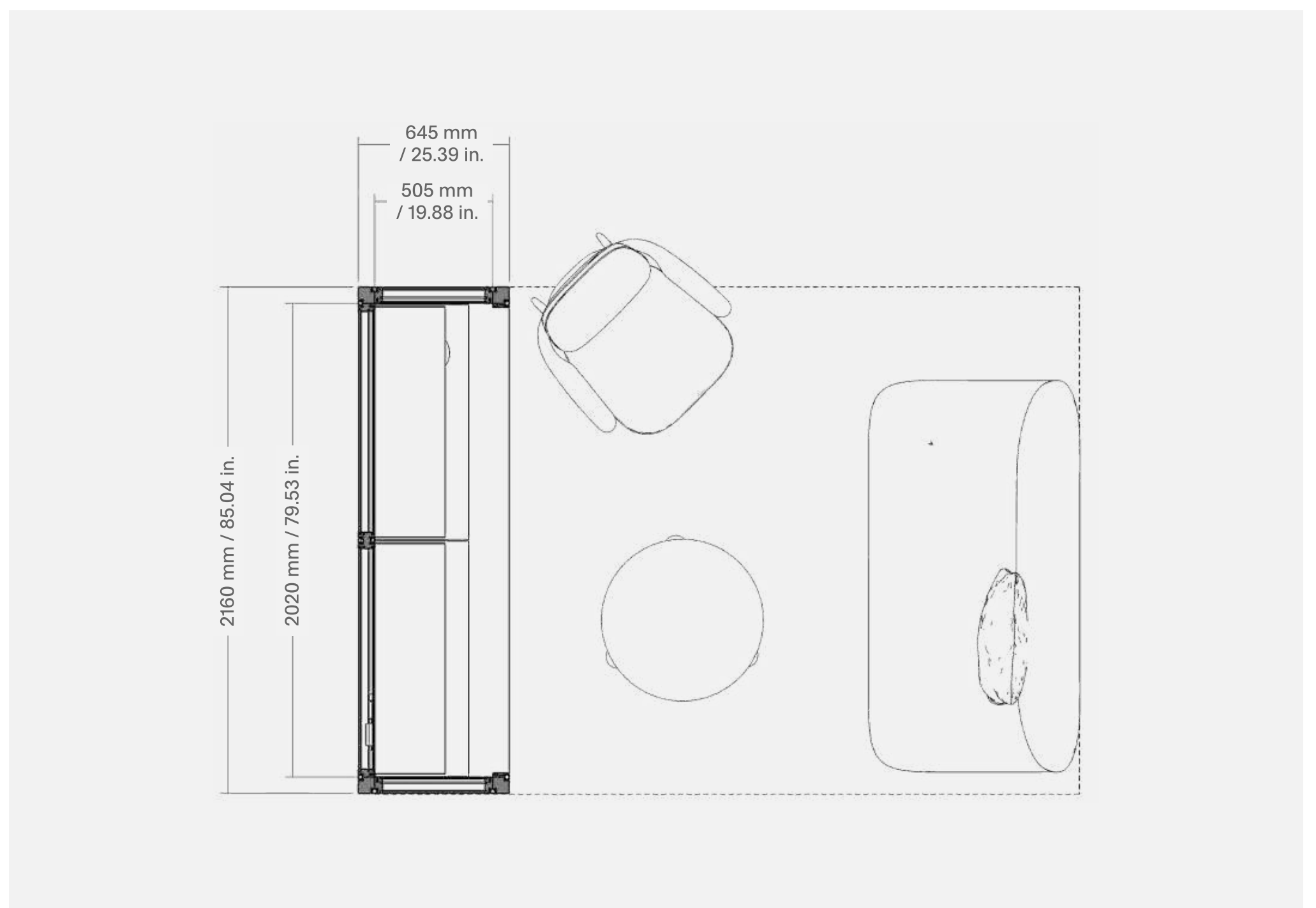
### System furniture and accessories

|    |                           |
|----|---------------------------|
| 2x | deep shelf                |
| 1x | deep shelf, right bookend |
| 2x | sliding door cabinet      |
| 1x | TV hanger                 |

### Third party fit-out

Listed products are purely exemplary and are not sold by Mute.

|    |                              |
|----|------------------------------|
| 1x | sofa by Pedrali              |
| 1x | coffee table by Arper        |
| 1x | lounge chair by Fritz Hansen |



Interested in this unit?

Ask for an offer →

Need more options?

See all rooms →



Room like the one specified in this card can be combined into multifunctional hubs.

Elements of the Modular system may change.

Specification of the product will be verified while preparing an offer and may also be modified on the client's request.

# Modular | MUTE.


## Name Support 2x0,5 v2.0

Function  
Support

Modular size  
2x0,5

Capacity  
-

Type  
Open

 Requires support wall

### Dimensions (W x L x H)

Exterior 2160 x 645 x 2400 mm  
85.04 x 25.39 x 94.49 in.  
Interior 2020 x 505 x 2250 mm  
79.53 x 19.88 x 88.58 in.

### Description

This room for facilitating office work provides space and functionality. It's equipped with dedicated furniture and accessories, finished with third-party fit-outs.

It is a part of Modular Support set – multi-functional areas created for back-office functions such as storage, cloakroom, coffee corner, or copy point.

### Colors



### Construction

Also available without electricity

|    |                                       |
|----|---------------------------------------|
| 2x | solid wall module 1010 mm / 39.76 in. |
| 2x | solid wall module 505 mm / 19.88 in.  |
| 2x | ceiling module                        |
| 2x | modular electric socket               |
| 1x | control panel                         |
| ✓  | integrated linear lamp                |
| ✓  | overhanging ceiling profile           |

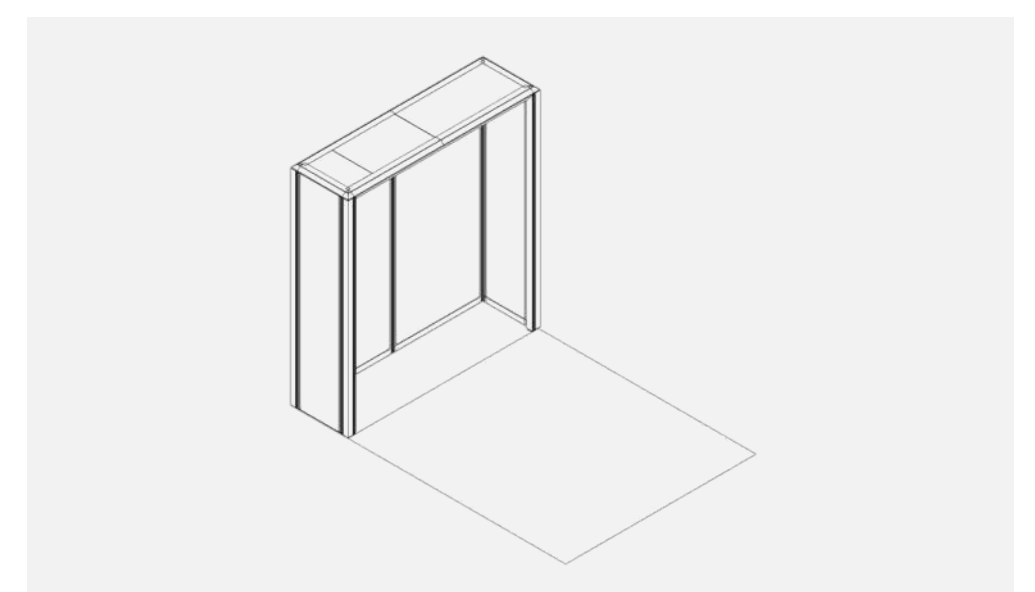
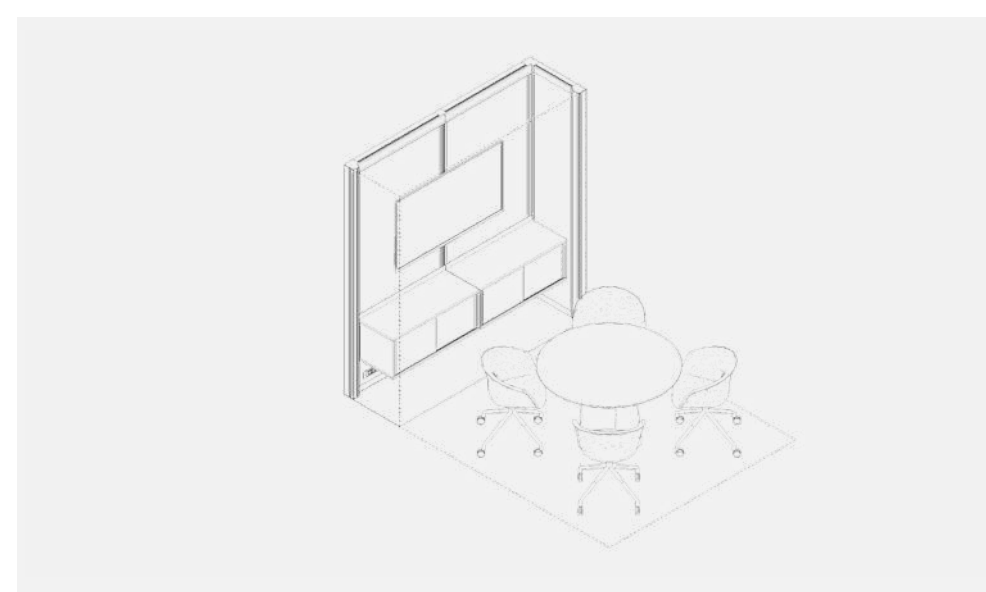
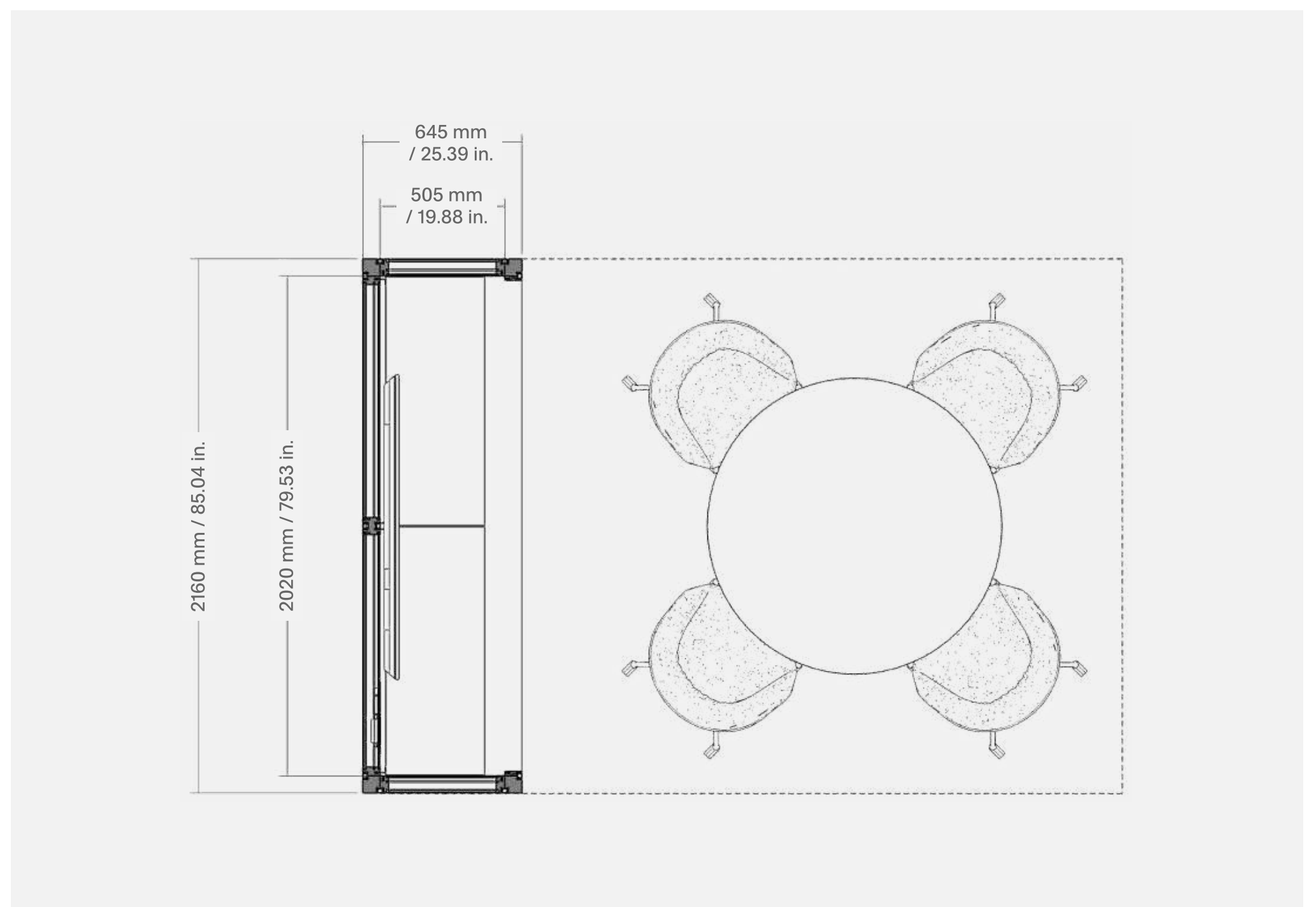
### System furniture and accessories

|    |                      |
|----|----------------------|
| 2x | sliding door cabinet |
| 1x | TV hanger            |

### Third party fit-out

Listed products are purely exemplary and are not sold by Mute.

|    |                                   |
|----|-----------------------------------|
| 1x | table ø120 mm / ø47.24 in. by Ton |
| 4x | chair by Hay                      |



Interested in this unit?

[Ask for an offer →](#)

Need more options?

[See all rooms →](#)



Room like the one specified in this card can be combined into multifunctional hubs.

Elements of the Modular system may change.

Specification of the product will be verified while preparing an offer and may also be modified on the client's request.

# Modular | MUTE.

## Name Support 2x1 v1.0

Function  
Support

Modular size  
2x1

Capacity  
-

Type  
Open

### Dimensions (W × L × H)

Exterior 2160 × 1150 × 2400 mm  
85.04 × 45.28 × 94.49 in.  
Interior 2020 × 1010 × 2250 mm  
79.53 × 39.76 × 88.58 in.

### Description

This room for facilitating office work provides space and functionality. It's equipped with dedicated furniture and accessories, finished with third-party fit-outs.

It is a part of Modular Support set – multi-functional areas created for back-office functions such as storage, cloakroom, coffee corner, or copy point.

### Colors



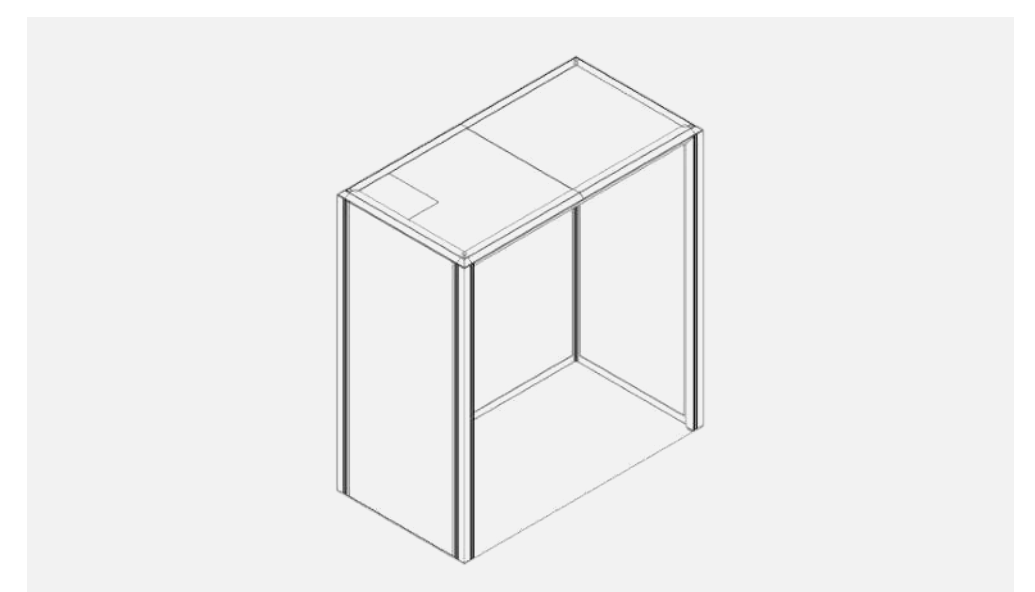
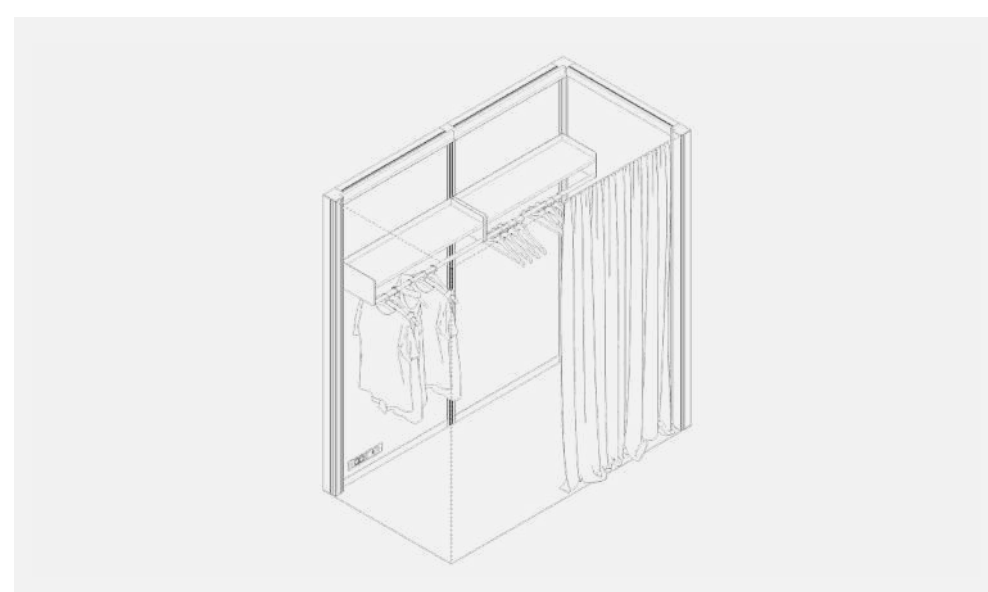
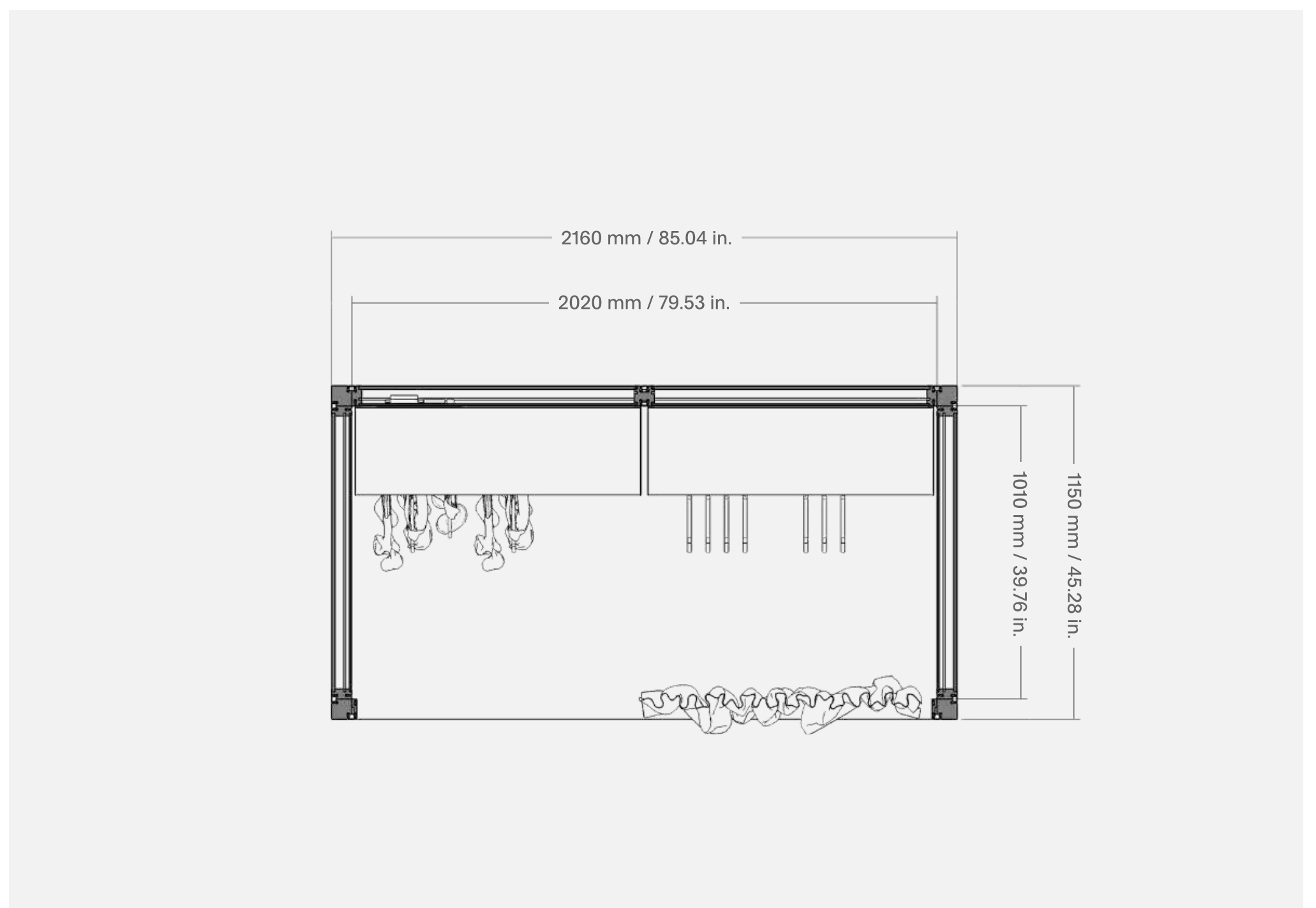
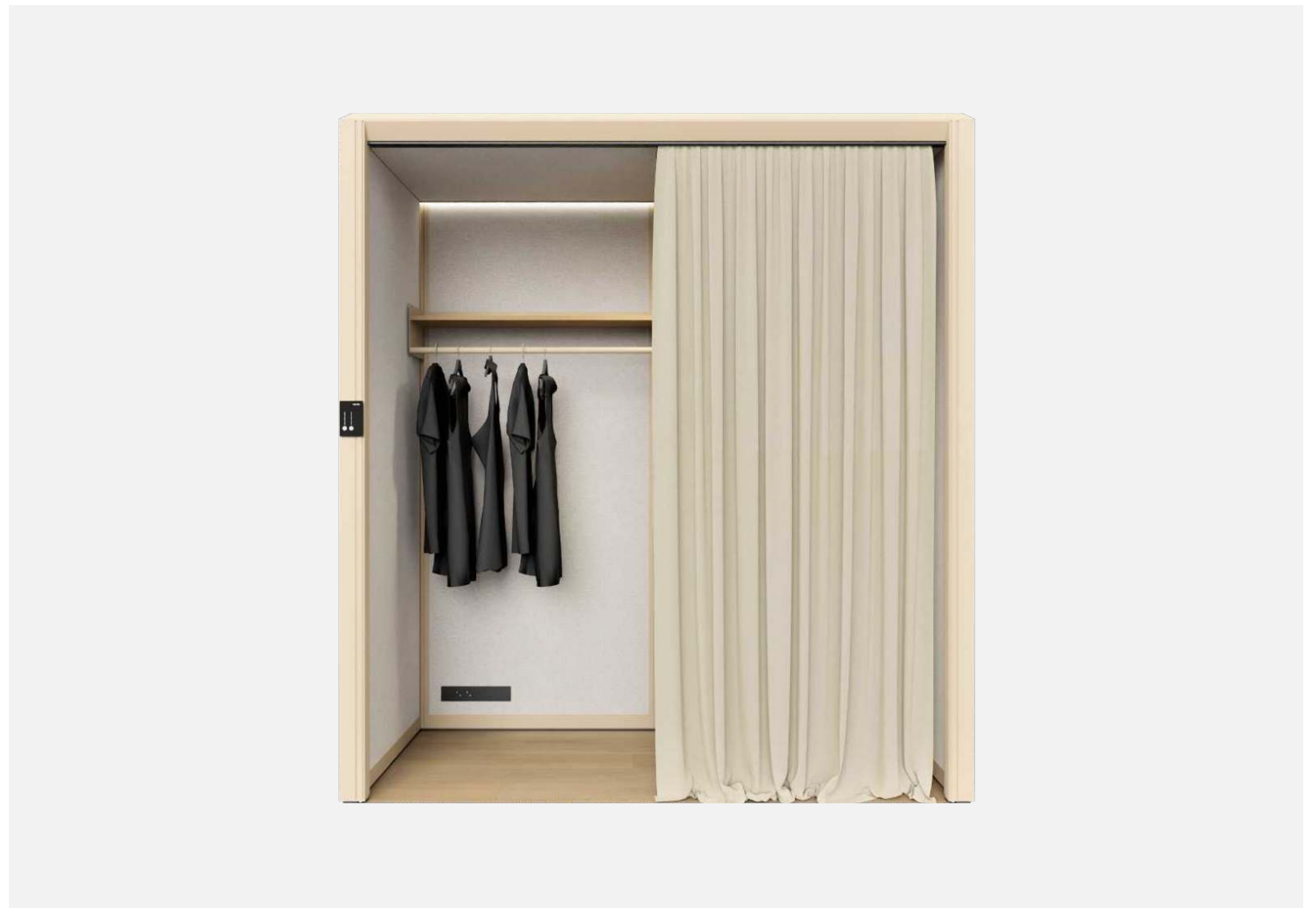
### Construction

Also available without electricity

|    |                                       |
|----|---------------------------------------|
| 4x | solid wall module 1010 mm / 39.76 in. |
| 2x | ceiling module                        |
| 1x | modular electric socket               |
| 1x | control panel                         |
| ✓  | integrated linear lamp                |
| ✓  | overhanging ceiling profile           |

### System furniture and accessories

|    |                      |
|----|----------------------|
| ✓  | curtain rail         |
| ✓  | curtain              |
| 2x | deep shelf with rail |



Interested in this unit?

[Ask for an offer →](#)

Need more options?

[See all rooms →](#)



Room like the one specified in this card can be combined into multifunctional hubs.

Elements of the Modular system may change.

Specification of the product will be verified while preparing an offer and may also be modified on the client's request.



# Modular | MUTE.

## Name Support 2x2 v1.0

Function  
Support

Modular size  
2x2

Capacity  
-

Type  
Open

### Dimensions (W × L × H)

Exterior 2160 × 2160 × 2400 mm  
85.04 × 85.04 × 94.49 in.  
Interior 2020 × 2020 × 2250 mm  
79.53 × 79.53 × 88.58 in.

### Description

This room for facilitating office work provides space with optional seating desk for one person. It's equipped with dedicated furniture and accessories, finished with third-party fit-outs.

It is a part of Modular Support set – multi-functional areas created for back-office functions such as storage, cloakroom, coffee corner, or copy point.

### Colors



### Construction

Also available without electricity

|    |  |
|----|--|
| 6x | solid wall module<br>1010 mm / 39.76 in. |
| 4x | ceiling module                           |
| 1x | modular electric socket                  |
| 1x | control panel                            |
| 2x | Flask track lighting                     |
| ✓  | integrated linear lamp                   |
| ✓  | overhanging ceiling profile              |

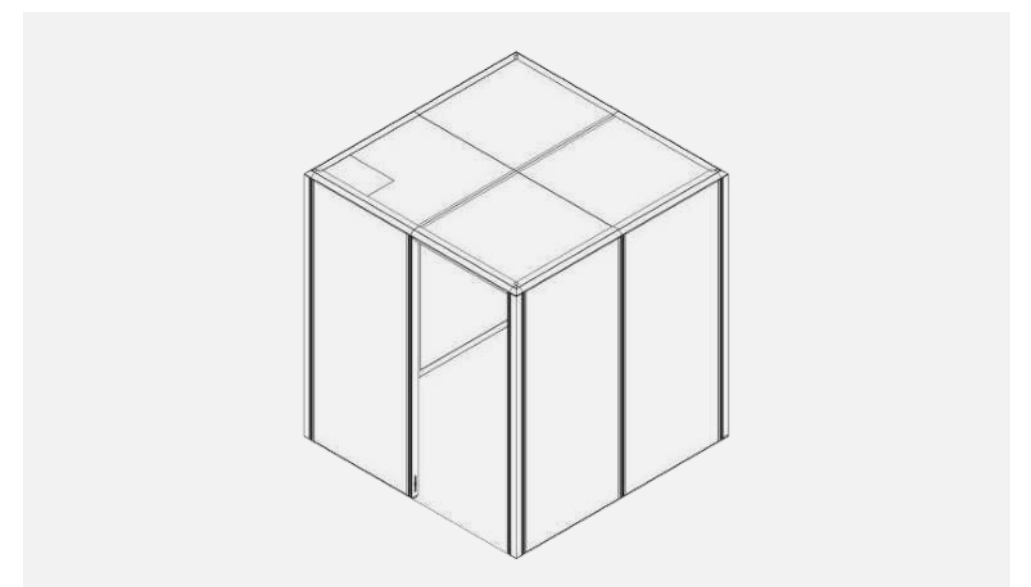
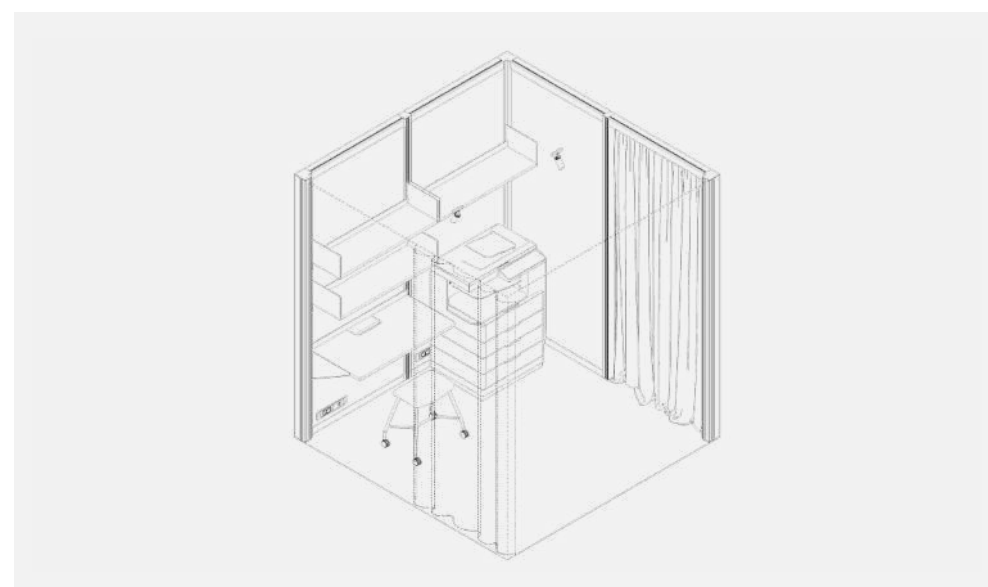
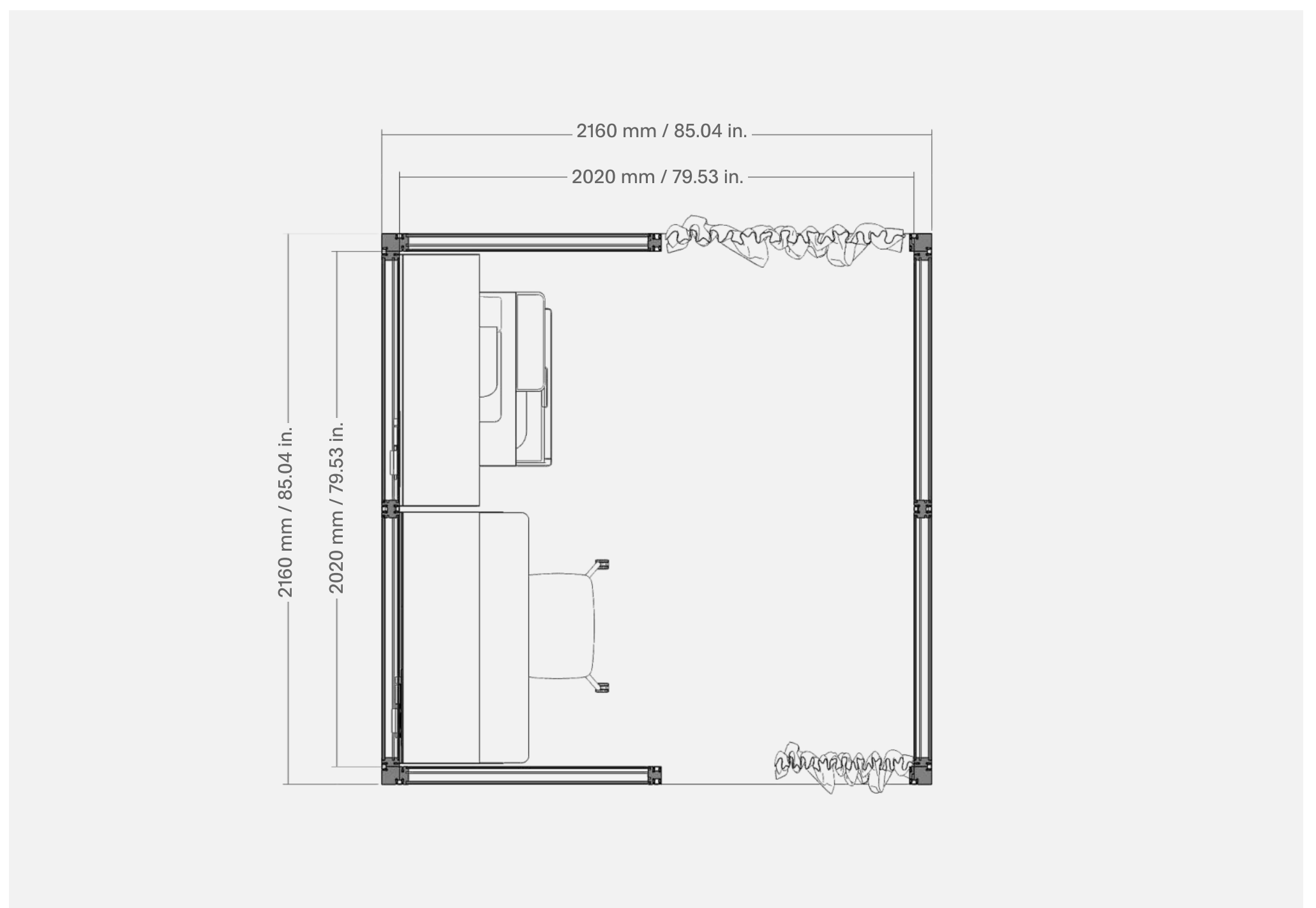
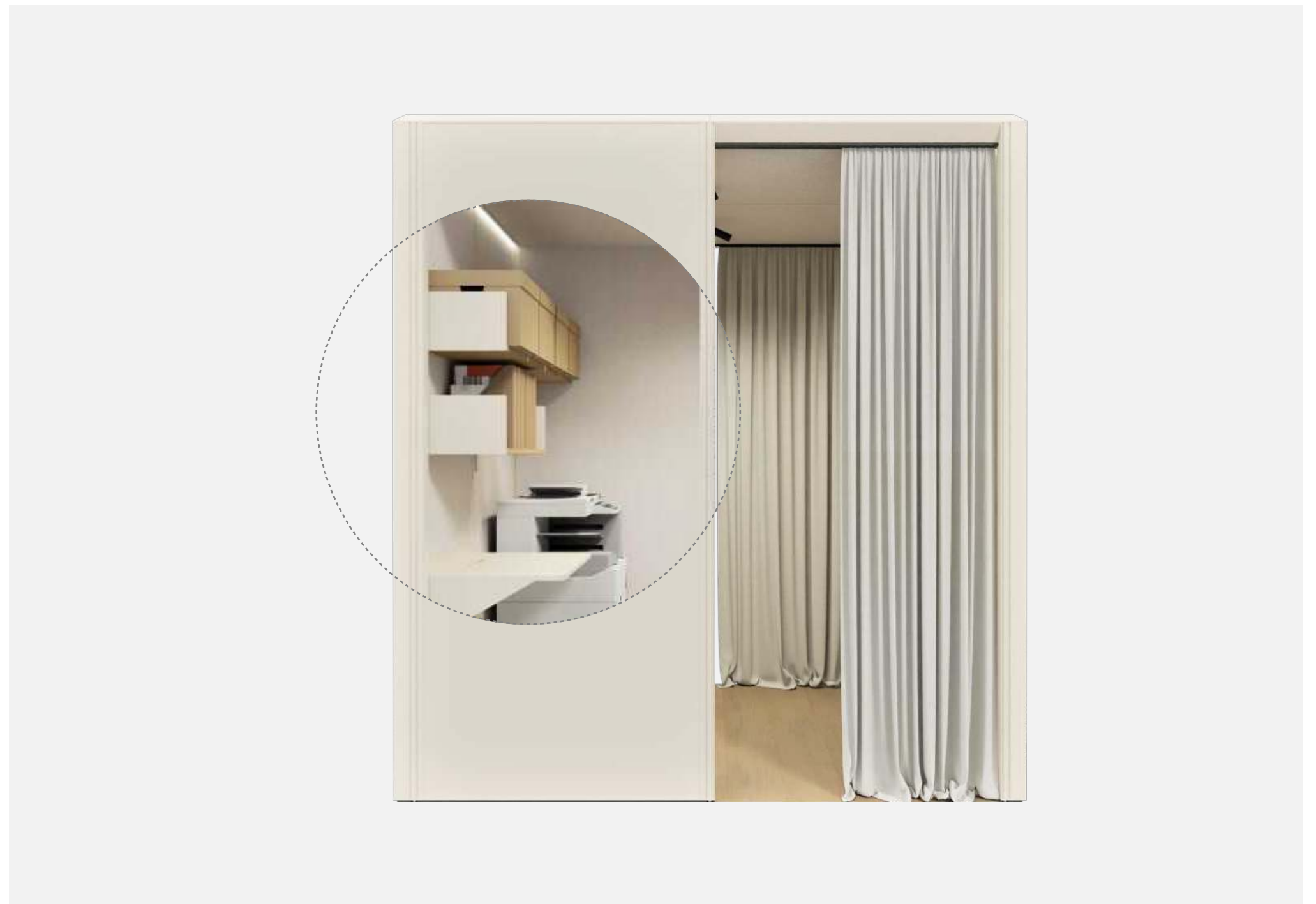
### System furniture and accessories

|    |                          |
|----|--------------------------|
| ✓  | curtain rail             |
| ✓  | curtain                  |
| 3x | deep shelf with bookends |
| 1x | desk                     |

### Third party fit-out

Listed products are purely exemplary and are not sold by Mute.

|    |                               |
|----|-------------------------------|
| 1x | stool with castors by Materia |
|----|-------------------------------|



Interested in this unit?

[Ask for an offer →](#)

Need more options?

[See all rooms →](#)



Room like the one specified in this card can be combined into multifunctional hubs.

Elements of the Modular system may change.

Specification of the product will be verified while preparing an offer and may also be modified on the client's request.

# Modular | MUTE.


## Name Support 3×0,5 v1.0

Function  
Support

Modular size  
3×0,5

Capacity  
-

Type  
Open

 Requires support wall

### Dimensions (W × L × H)

Exterior 3170 × 645 × 2400 mm  
124.80 × 25.39 × 94.49 in.  
Interior 3030 × 505 × 2250 mm  
119.29 × 19.88 × 88.58 in.

### Description

This room for facilitating office work provides space and functionality. It's equipped with dedicated furniture and accessories, finished with third-party fit-outs.

It is a part of Modular Support set – multi-functional areas created for back-office functions such as storage, cloakroom, coffee corner, or copy point.

### Colors



### Construction

Also available without electricity

|    |                                       |
|----|---------------------------------------|
| 3× | solid wall module 1010 mm / 39.76 in. |
| 2× | solid wall module 505 mm / 19.88 in.  |
| 3× | ceiling module                        |
| 1× | modular electric socket               |
| 1× | control panel                         |
| ✓  | integrated linear lamp                |
| ✓  | overhanging ceiling profile           |

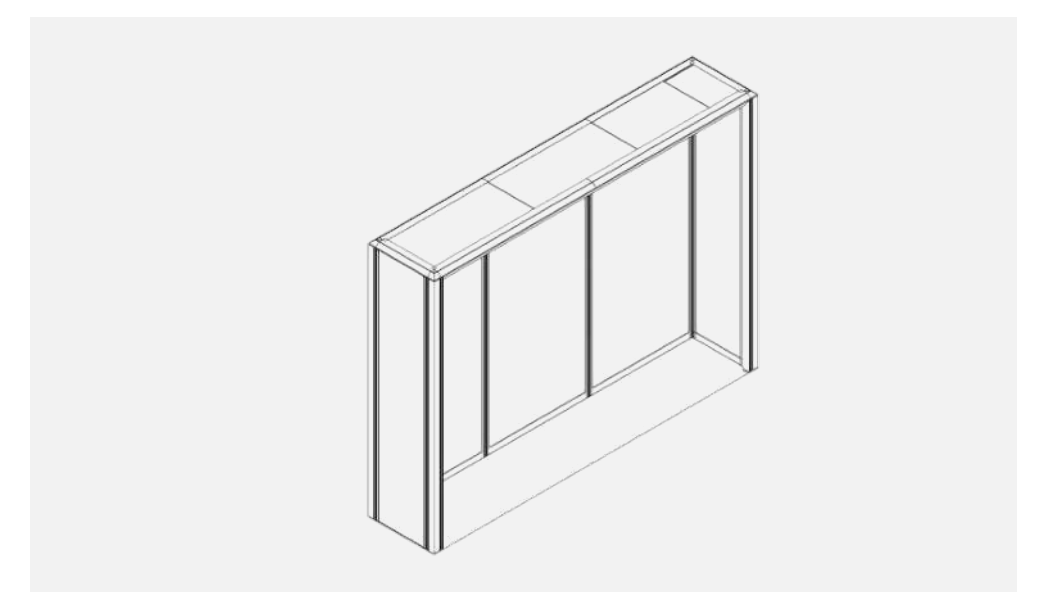
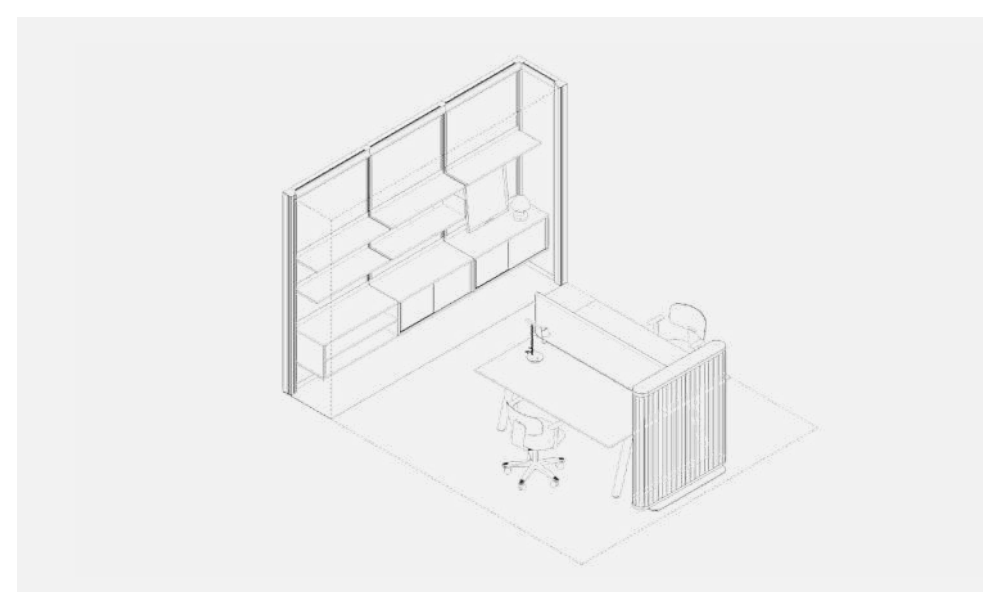
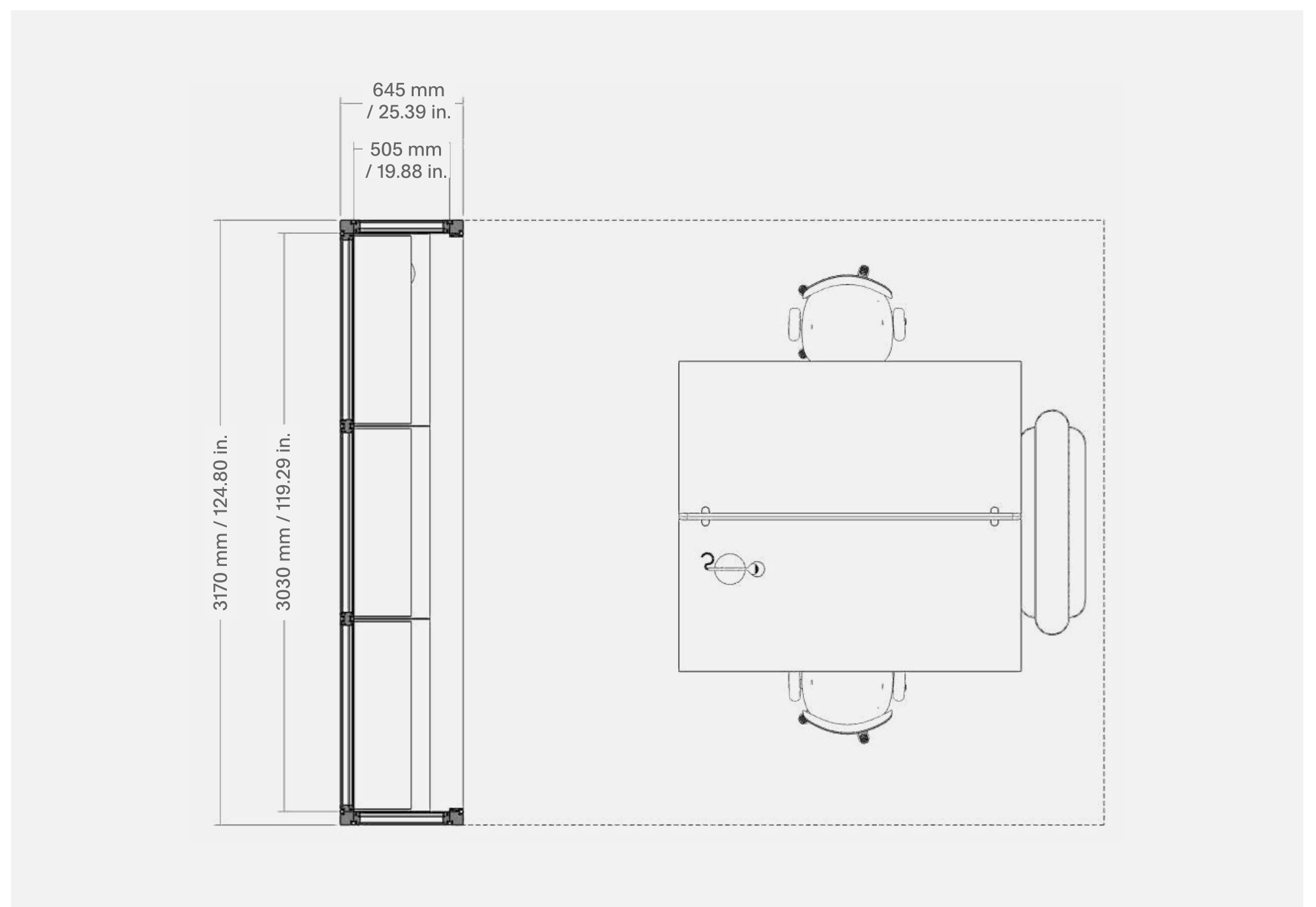
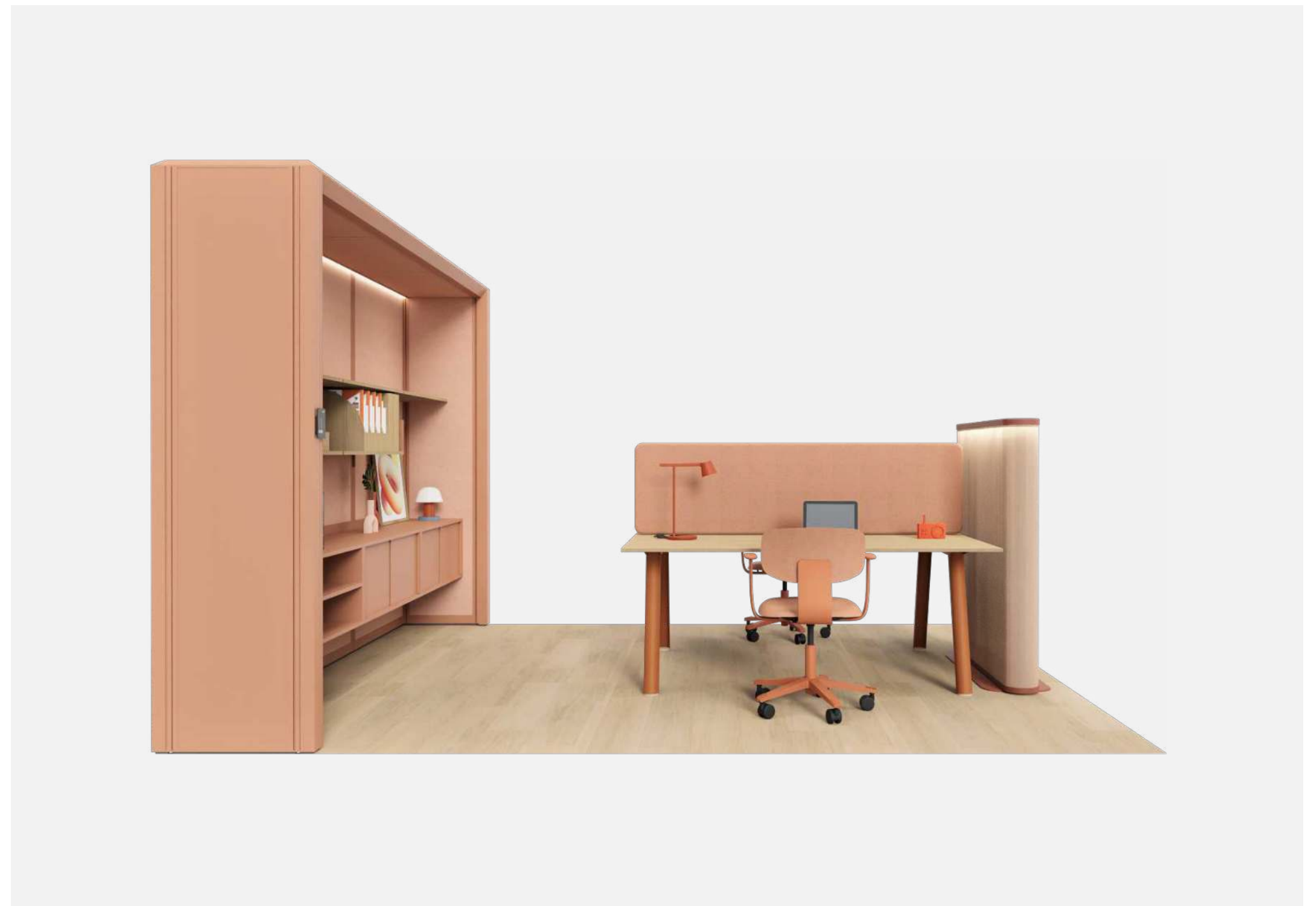
### System furniture and accessories

|    |                               |
|----|-------------------------------|
| 4× | deep shelf                    |
| 1× | open shelf cabinet            |
| 2× | sliding door cabinet          |
| 1× | deep shelf with right bookend |
| 1× | display stand                 |

### Third party fit-out

Listed products are purely exemplary and are not sold by Mute (except lamps by Mute).

|    |                   |
|----|-------------------|
| 2× | chair by Håg      |
| 1× | desk by Manerba   |
| 1× | Mist lamp by Mute |



Interested in this unit?

[Ask for an offer →](#)

Need more options?

[See all rooms →](#)



Room like the one specified in this card can be combined into multifunctional hubs.

Elements of the Modular system may change.

Specification of the product will be verified while preparing an offer and may also be modified on the client's request.

# Modular | MUTE.

## Name Support 3x1 v1.0

Function  
Support

Modular size  
3x1

Capacity  
-

Type  
Open

### Dimensions (W × L × H)

Exterior 3170 × 1150 × 2400 mm  
124.80 × 45.28 × 94.49 in.  
Interior 3030 × 1010 × 2250 mm  
119.29 × 39.76 × 88.58 in.

### Description

This room for facilitating office work provides space with optional seating desk for one person. It's equipped with dedicated furniture and accessories, finished with third-party fit-outs.

It is a part of Modular Support set – multi-functional areas created for back-office functions such as storage, cloakroom, coffee corner, or copy point.

### Colors



### Construction

Also available without electricity

|    |                                       |
|----|---------------------------------------|
| 5x | solid wall module 1010 mm / 39.76 in. |
| 3x | ceiling module                        |
| 2x | modular electric socket               |
| 1x | control panel                         |
| ✓  | integrated linear lamp                |
| ✓  | overhanging ceiling profile           |

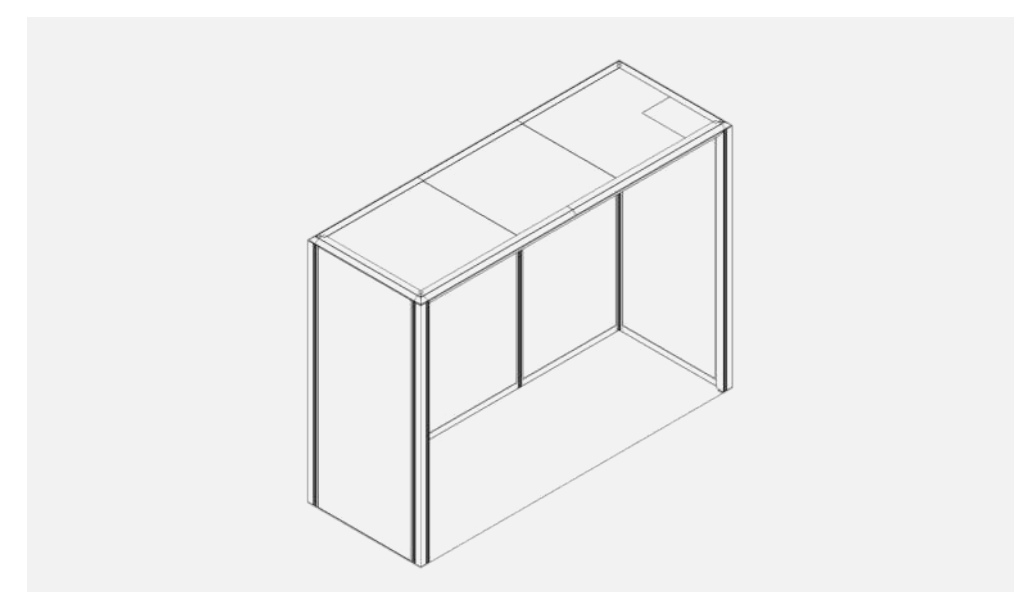
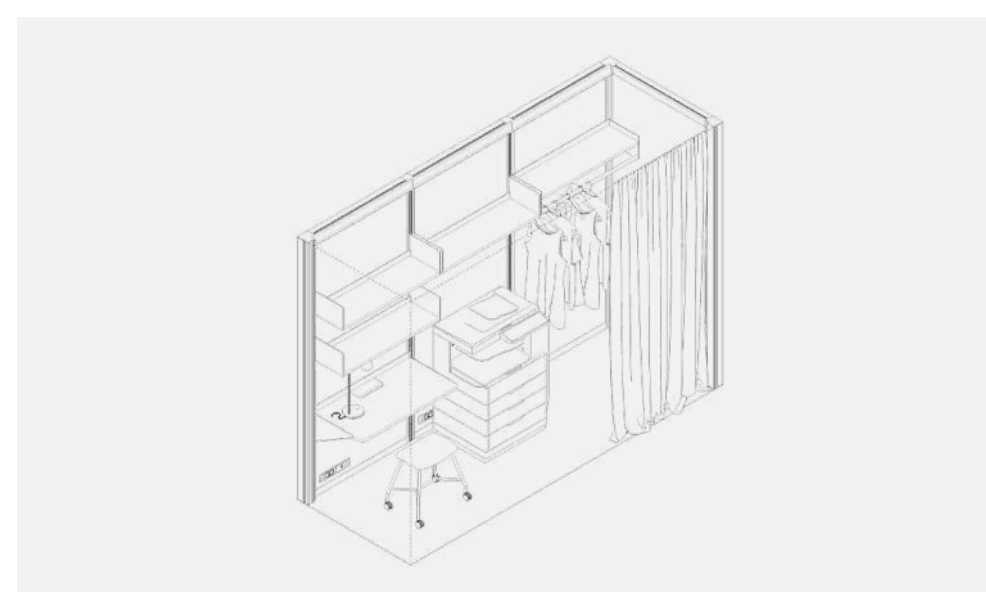
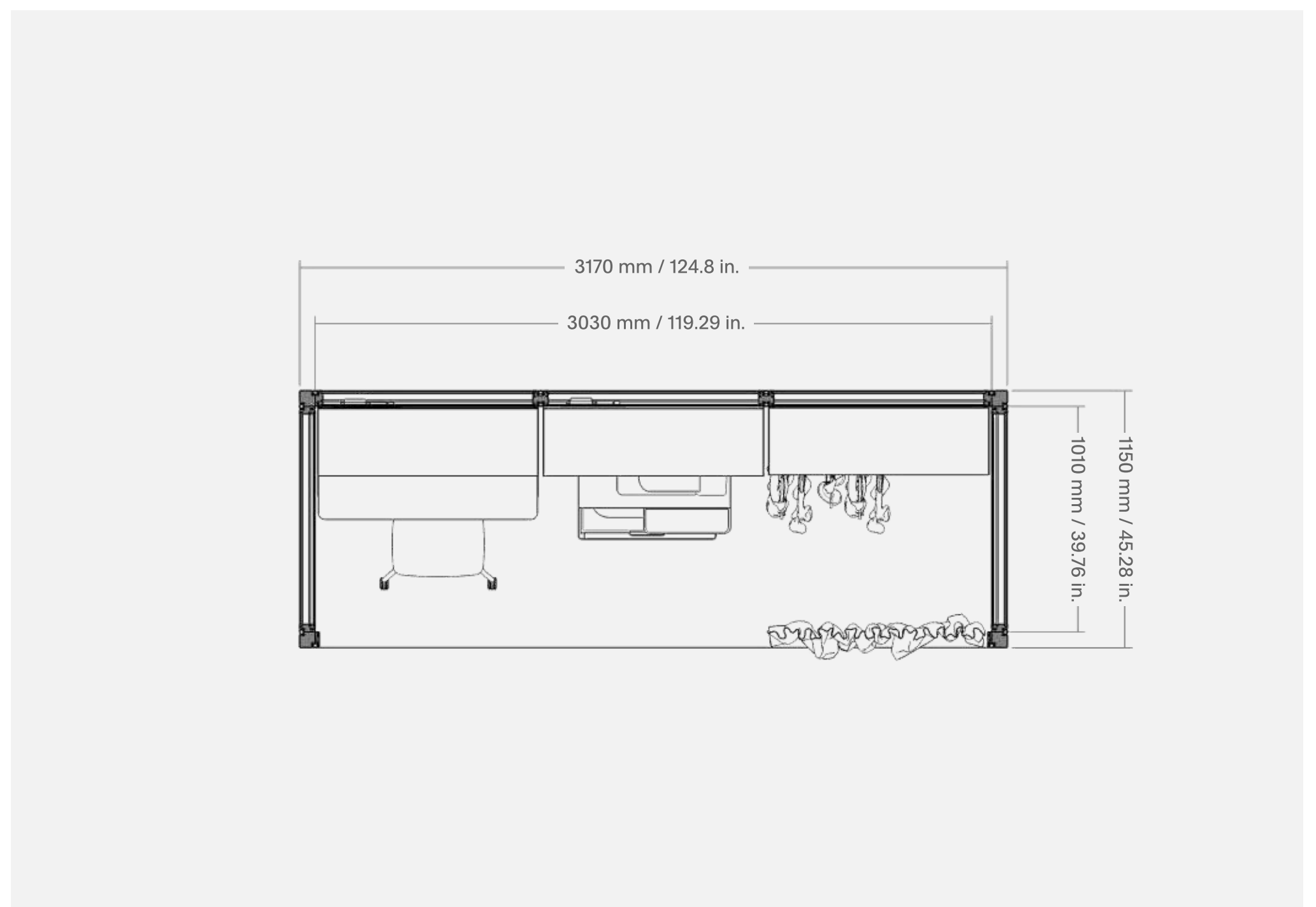
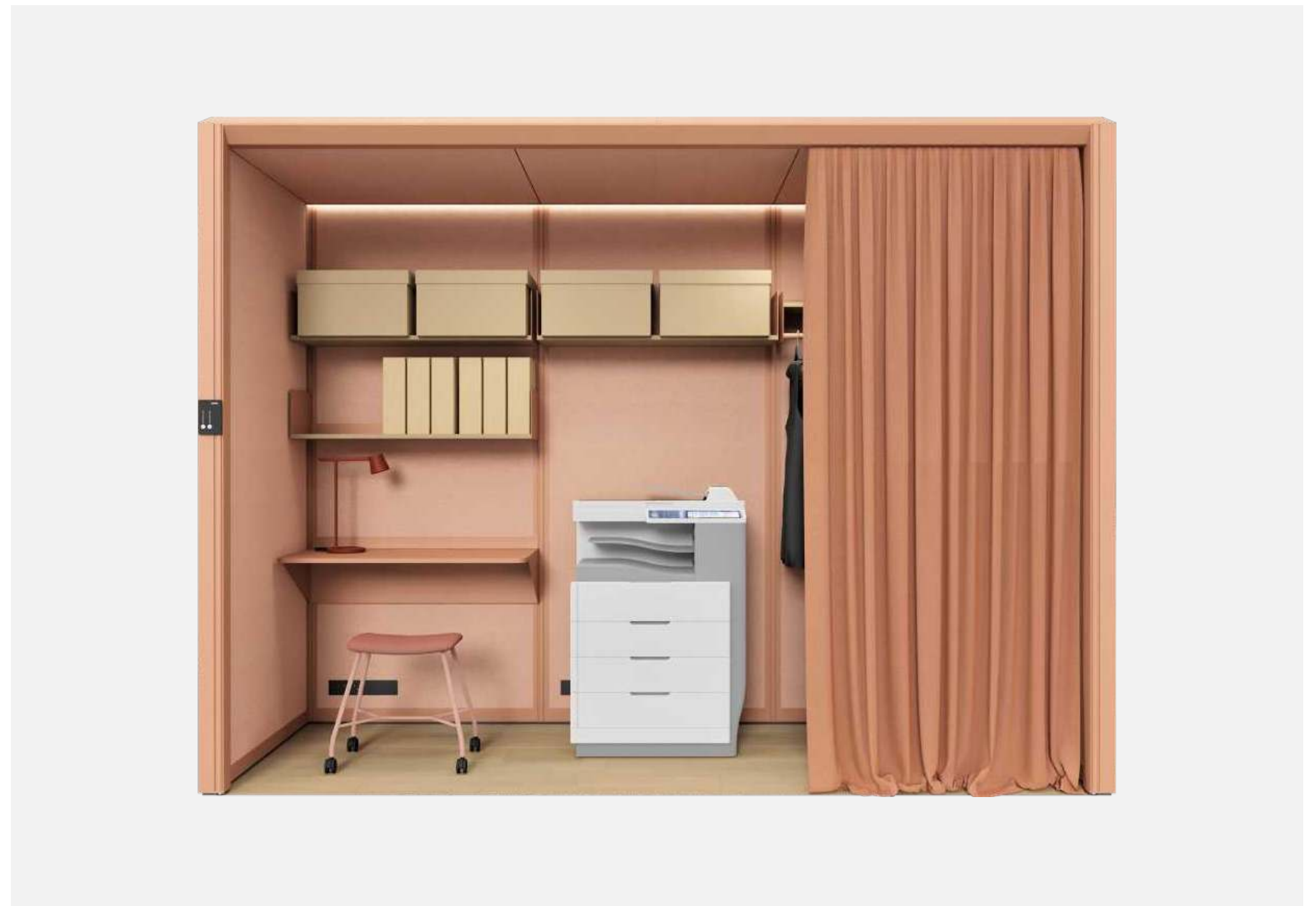
### System furniture and accessories

|    |                          |
|----|--------------------------|
| ✓  | curtain rail             |
| ✓  | curtain                  |
| 1x | desk                     |
| 3x | deep shelf with bookends |
| 1x | deep shelf with rail     |
| 2x | magnet                   |
| 2x | wall hook                |

### Third party fit-out

Listed products are purely exemplary and are not sold by Mute.

|    |                               |
|----|-------------------------------|
| 1x | stool with castors by Materia |
|----|-------------------------------|



Interested in this unit?

[Ask for an offer →](#)

Need more options?

[See all rooms →](#)



Room like the one specified in this card can be combined into multifunctional hubs.

Elements of the Modular system may change.

Specification of the product will be verified while preparing an offer and may also be modified on the client's request.

# Modular | MUTE.

## Name Support 3x1 v2.0

Function  
Support

Modular size  
3x1

Capacity  
-

Type  
Open

### Dimensions (W × L × H)

Exterior 3170 × 1150 × 2400 mm  
124.80 × 45.28 × 94.49 in.  
Interior 3030 × 1010 × 2250 mm  
119.29 × 39.76 × 88.58 in.

### Description

This room for facilitating office work provides space with optional seating desk for one person. It's equipped with dedicated furniture and accessories, finished with third-party fit-outs.

It is a part of Modular Support set – multi-functional areas created for back-office functions such as storage, cloakroom, coffee corner, or copy point.

### Colors



### Construction

Also available without electricity

|    |  |
|----|--|
| 3x | solid wall module 1010 mm / 39.76 in.        |
| 2x | fluted glass wall module 1010 mm / 39.76 in. |
| 3x | ceiling module                               |
| 1x | modular electric socket                      |
| 1x | control panel                                |
| ✓  | integrated linear lamp                       |
| ✓  | overhanging ceiling profile                  |

### System furniture and accessories

|    |                     |    |                           |
|----|---------------------|----|---------------------------|
| 1x | shallow shelf       | 1x | deep shelf, right bookend |
| 4x | deep shelf          | 1x | display rail              |
| 1x | deep drawer cabinet | 2x | magnet                    |
| 1x | two-drawer cabinet  |    |                           |
| 1x | desk                |    |                           |

### Third party fit-out

Listed products are purely exemplary and are not sold by Mute (except lamps by Mute).

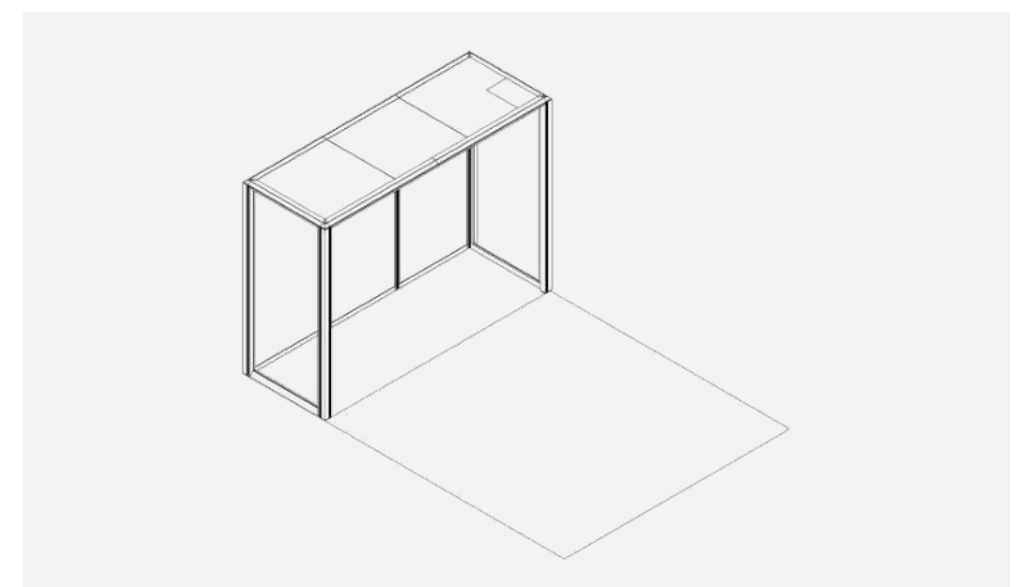
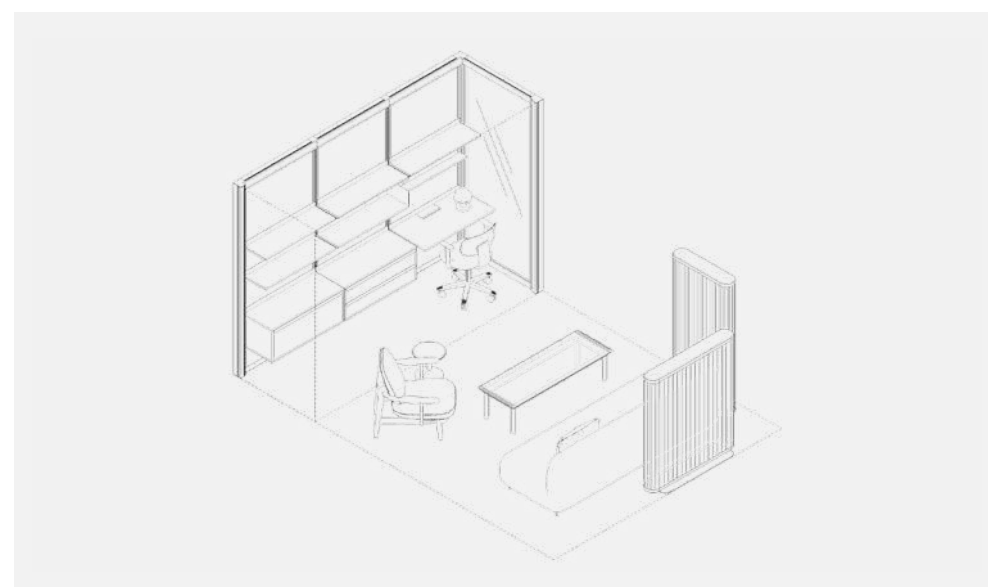
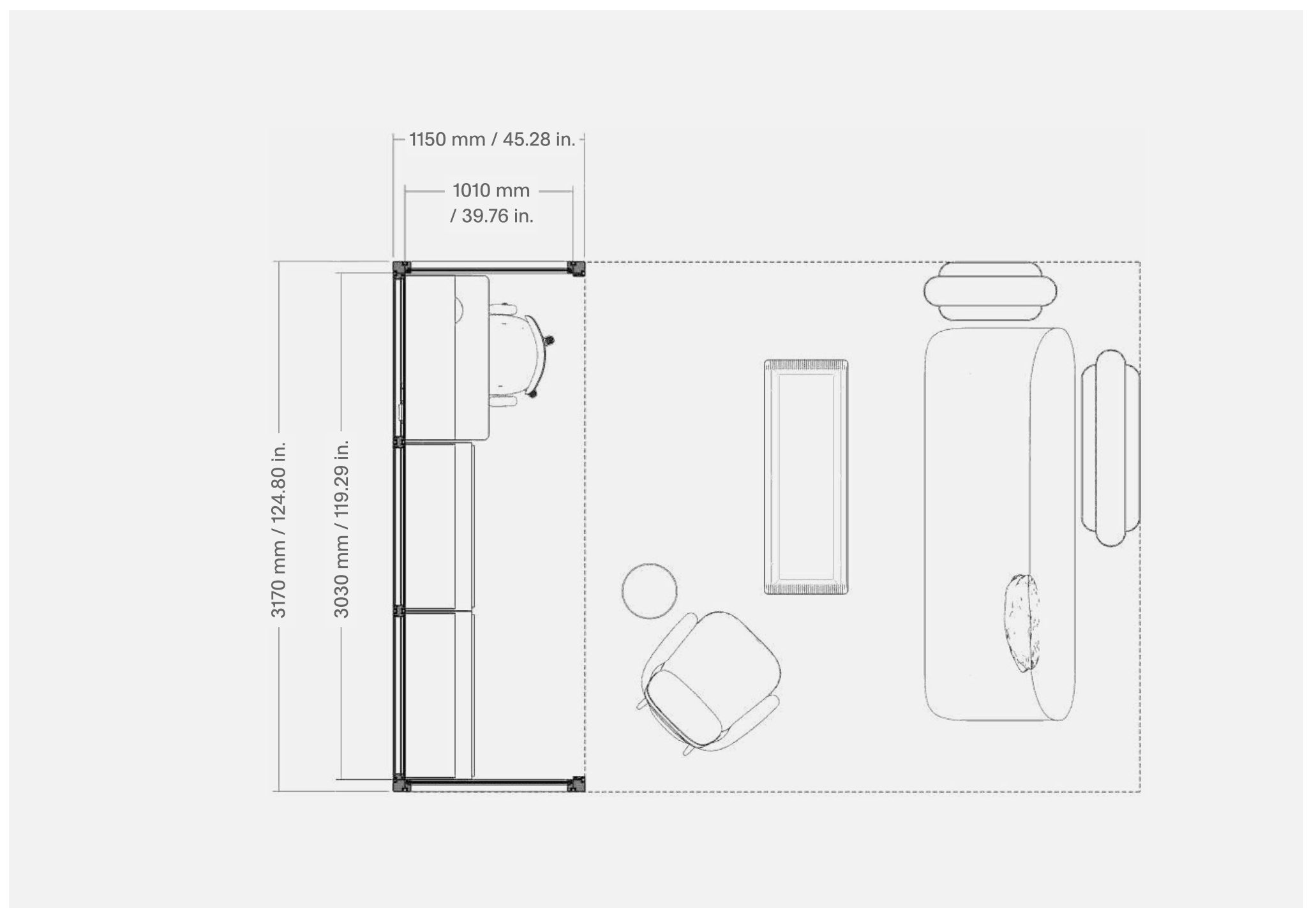
|    |                     |
|----|---------------------|
| 1x | chair by Håg        |
| 1x | sofa by Pedrali     |
| 1x | stool by Miniforms  |
| 1x | coffee table by Hay |
| 2x | Mist lamp by Mute   |

Room like the one specified in this card can be combined into multifunctional hubs.

Elements of the Modular system may change.

Specification of the product will be verified while preparing an offer and may also be modified on the client's request.

www.mute.design/modular



Interested in this unit?

Ask for an offer →

Need more options?

See all rooms →



© Mute 2024 | All rights reserved

# Multifunctional Hubs

# MUTE. Modular

The adaptable room-in-room system

|                          |  |                         |                               |                                 |
|--------------------------|--|-------------------------|-------------------------------|---------------------------------|
| Hub name<br><b>Hub 1</b> | Functions<br>Lounge + Meet + Lounge + Work | Hub modular size<br>8x3 | Hub capacity<br>2 + 4 + 5 + 2 | Hub room types<br>O + C + O + O |
|--------------------------|--|-------------------------|-------------------------------|---------------------------------|

## Dimensions (W x L x H)

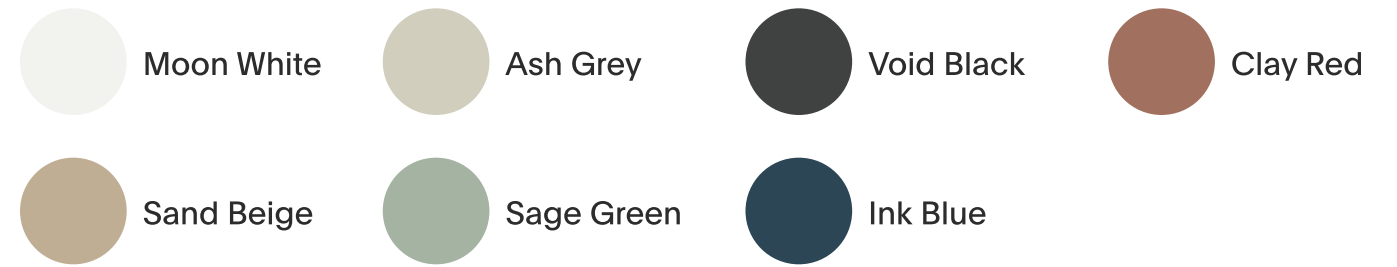
Exterior 8430 x 3170 x 2400 mm / 331.89 x 124.8 x 94.49 in.

## Description

The system offers unmatched level of modularity. You can arrange individual rooms or combine them into cross-functional hubs to build the perfect, flexible office that provide space and complexity.

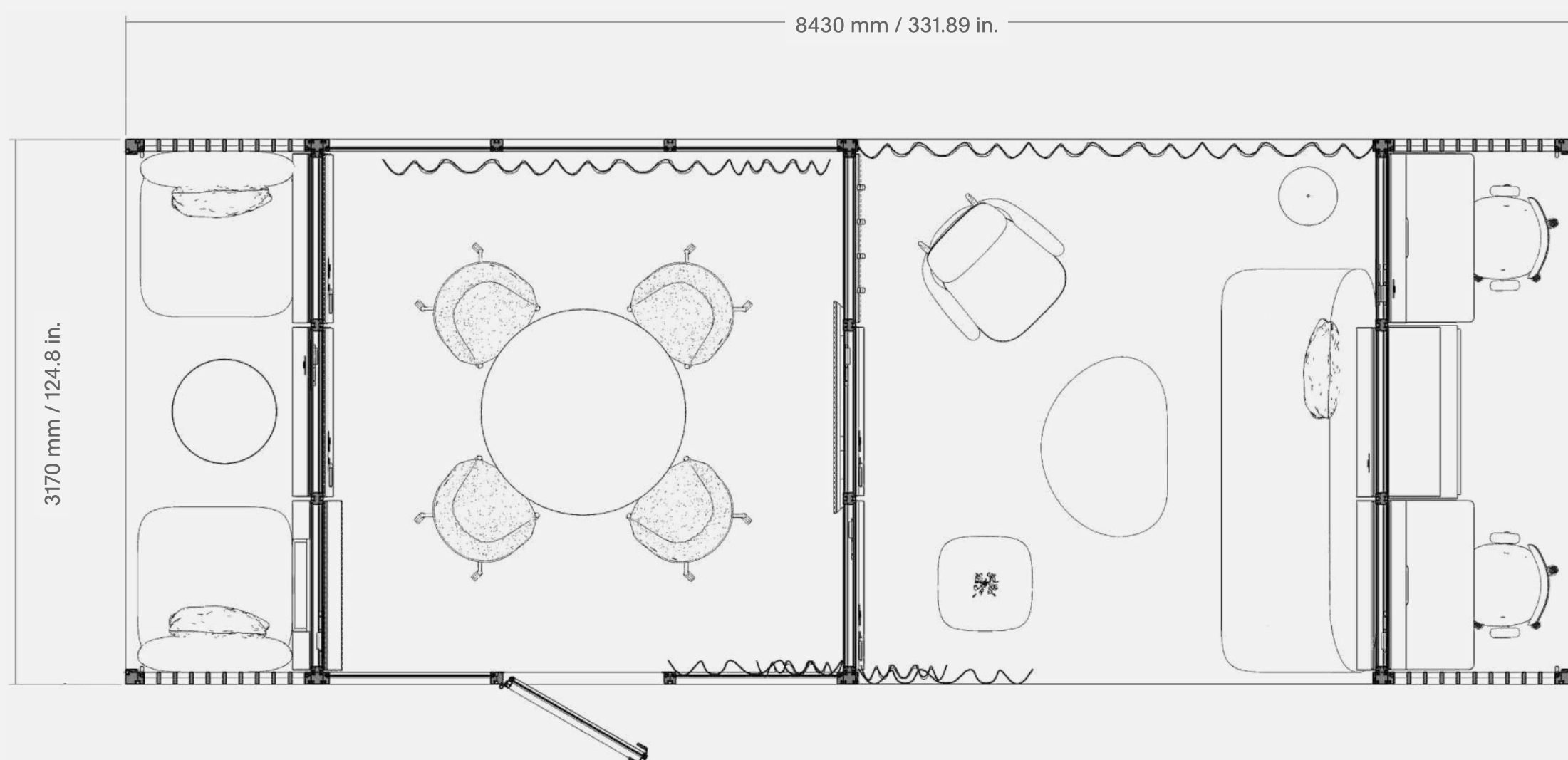
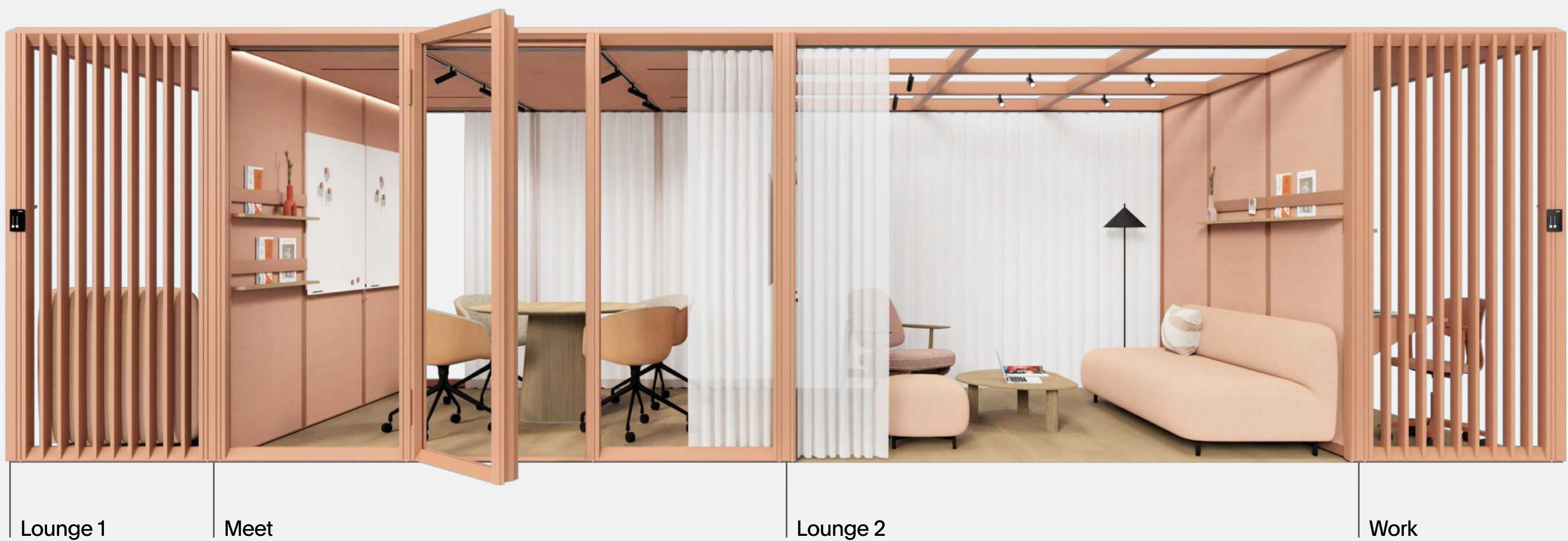
## Colors

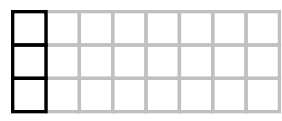
This hub is available in 7 colors.



See single rooms of this hub on next pages

This visualization contains 3rd party products which are purely exemplary and are not sold by Mute.





Hub 1 / Room 1 of 4

Room name

# Lounge 3x1 p2.v1.O

Function  
Lounge

Modular size  
3x1

Capacity  
2 people

Room type  
Open

## Dimensions (W x L x H)

Exterior 3170 x 1150 x 2400 mm  
124.80 x 45.28 x 94.49 in.

Interior 3030 x 1010 x 2250 mm  
119.29 x 39.76 x 88.58 in.

## Description

This room for relaxing provide space up to 2 people. It's equipped with dedicated furniture and accessories, finished with third-party fit-outs.

It is a part of Modular Lounge set – cozy areas for less-formal meet-ups and every casual occasion. Perfect for a waiting lounge, chill-out area, or gaming room.

## Construction

Also available without electricity

|    |  |
|----|--|
| 3x | solid wall module 1010 mm / 39.76 in.  |
| 2x | slated wall module 1010 mm / 39.76 in. |
| 3x | ceiling module                         |
| 1x | modular electric socket                |
| 1x | control panel                          |
| ✓  | overhanging ceiling profile            |
| ✓  | integrated linear lamp                 |

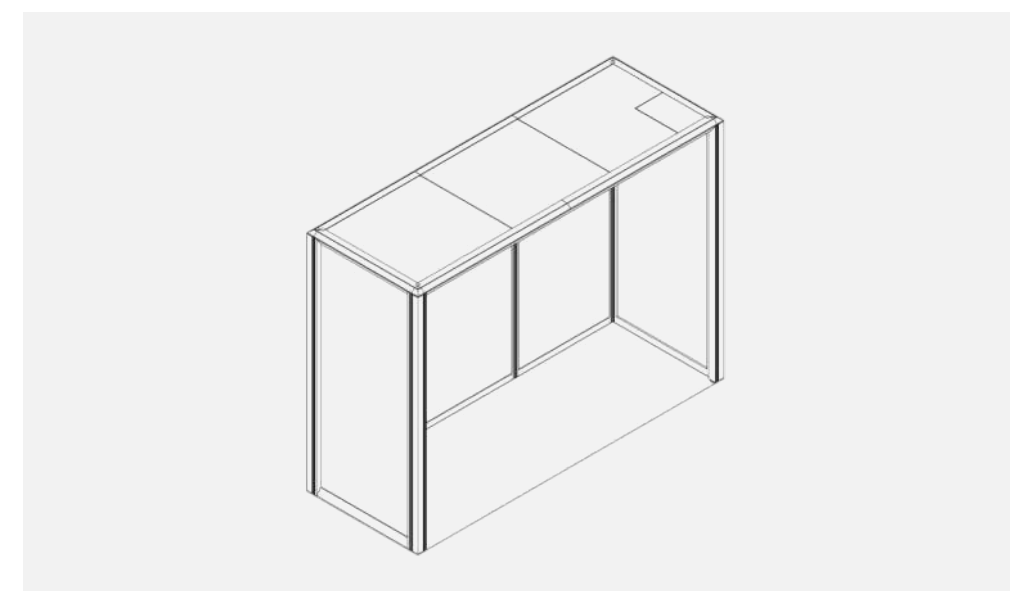
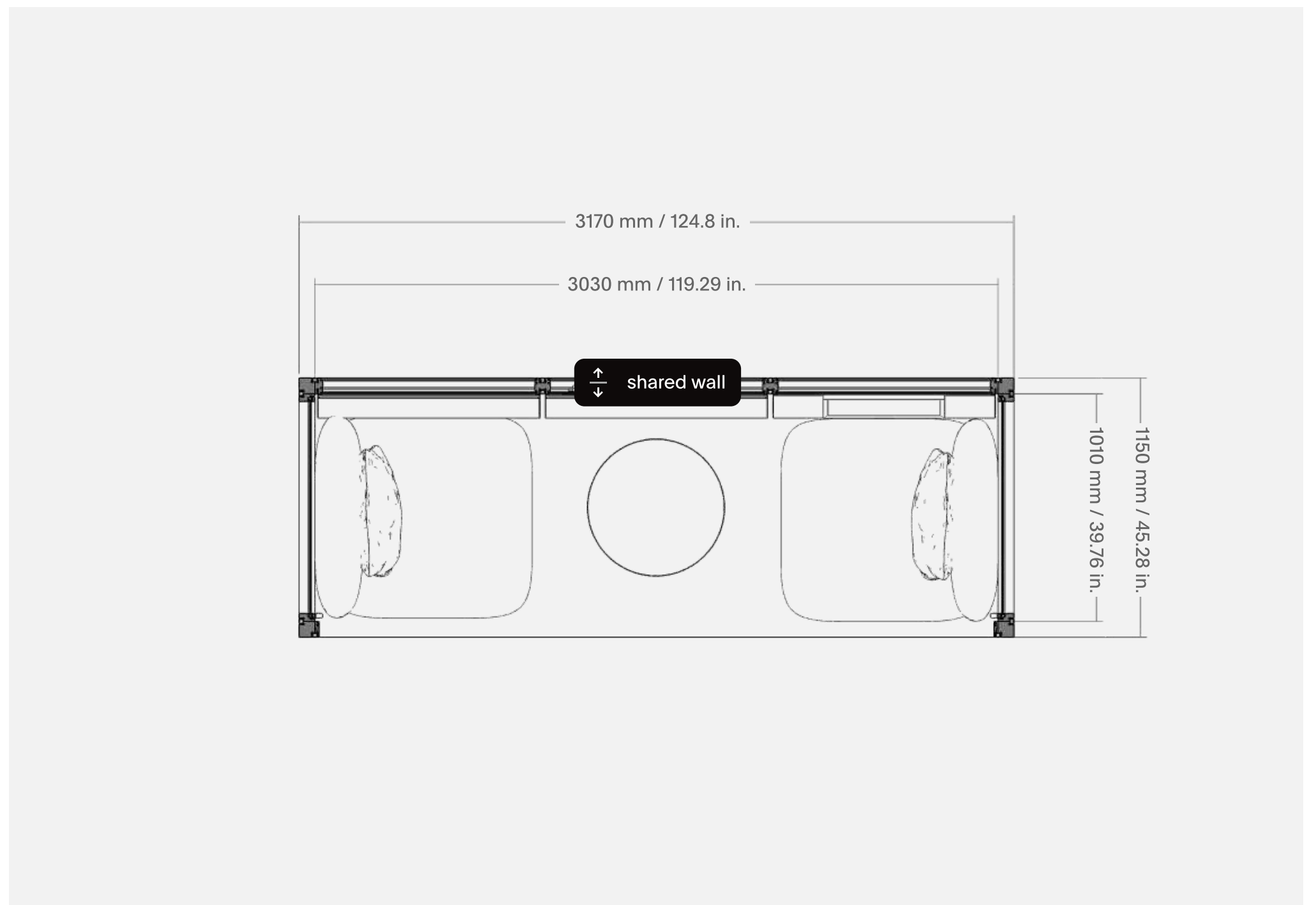
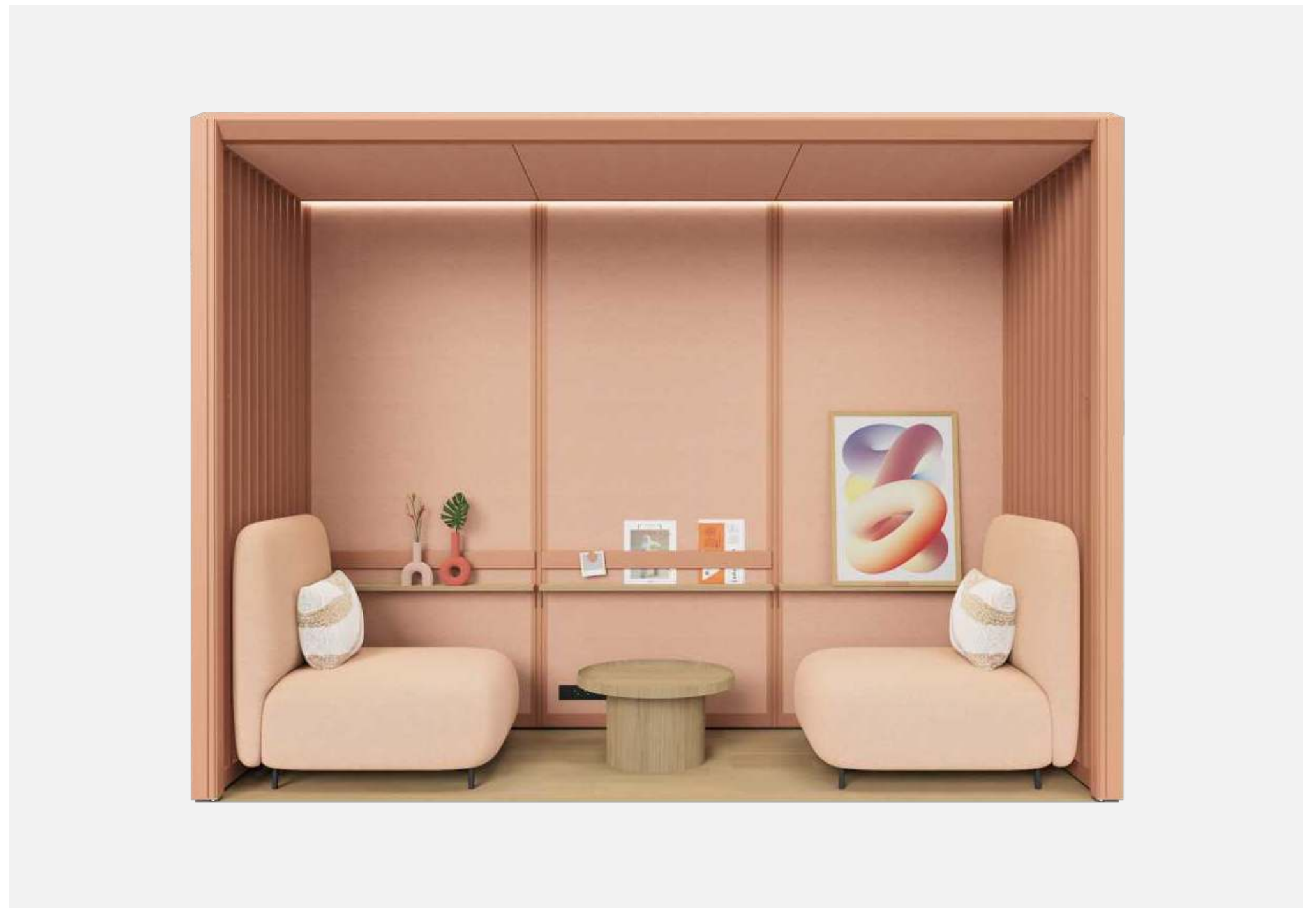
## System furniture and accessories

|    |               |
|----|---------------|
| 3x | shallow shelf |
| 2x | display rail  |
| 2x | magnet        |
| 2x | wall hook     |
| 1x | display stand |

## Third party fit-out

Listed products are purely exemplary and are not sold by Mute.

|    |                         |
|----|-------------------------|
| 2x | lounge chair by Pedrali |
| 1x | coffee table by Bolia   |



Interested in this unit?

[Ask for an offer →](#)

Need more options?

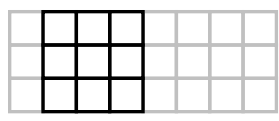
[See all rooms →](#)



Room like the one specified in this card can be combined into multifunctional hubs.

Elements of the Modular system may change.

Specification of the product will be verified while preparing an offer and may also be modified on the client's request.



Hub 1 / Room 2 of 4

Room name

# Meet 3x3 p4.v2.C

Function  
MeetModular size  
3x3Capacity  
4 peopleRoom type  
Closed

## Dimensions (W x L x H)

Exterior 3170 x 3170 x 2400 mm  
124.80 x 124.80 x 94.49 in.

Interior 3030 x 3030 x 2250 mm  
119.29 x 119.29 x 88.58 in.

## Description

This room for meetups provide space up to 4 people. It's equipped with dedicated furniture and accessories, finished with third-party fit-outs.

It is a part of Modular Meet set – places in plenty of sizes and capacities to host any gathering: team meet-ups, brainstorm, workshops, small talks, and more.

## Construction

|    |  |    |                         |
|----|--|----|-------------------------|
| 6x | solid wall module<br>1010 mm / 39.76 in. | 2x | modular electric socket |
|    |  | 1x | control panel           |
| 5x | glass wall module<br>1010 mm / 39.76 in. | 2x | occupancy sensor        |
|    |  | 6x | Flask track lighting    |
| 1x | left-hand glass door                     | ✓  | integrated linear lamp  |
| 5x | ceiling module                           |    |                         |
| 4x | ventilation ceiling module               |    |                         |

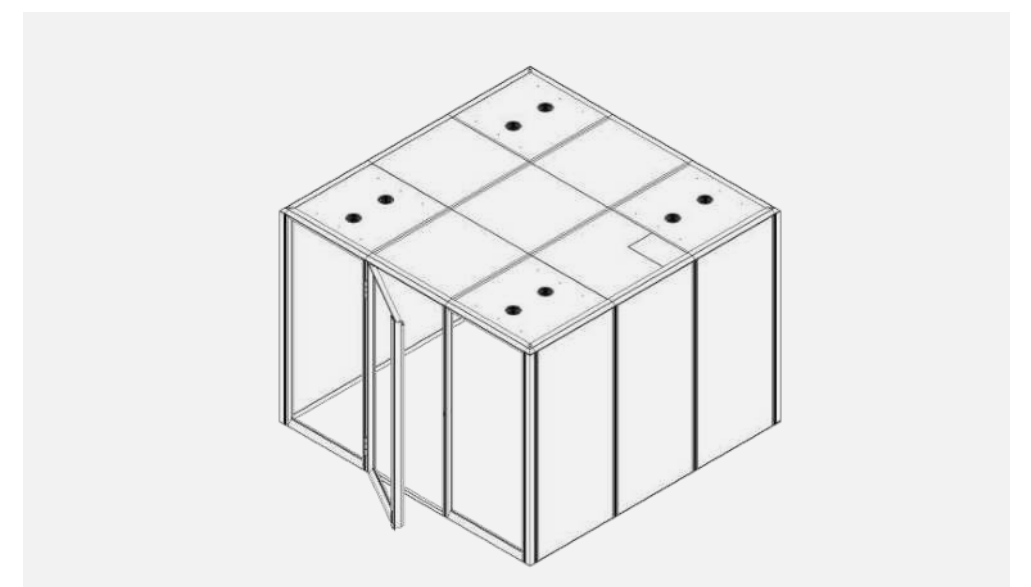
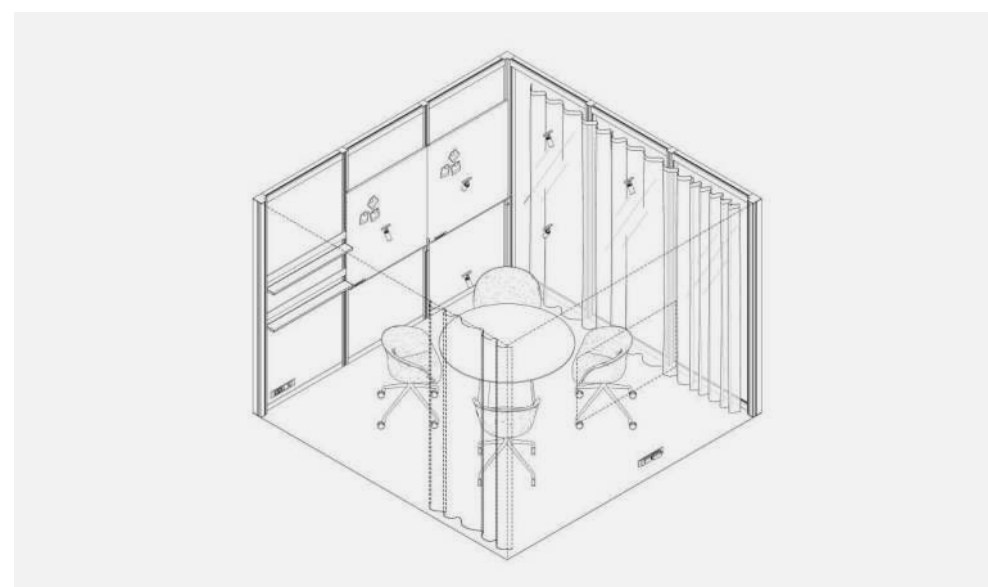
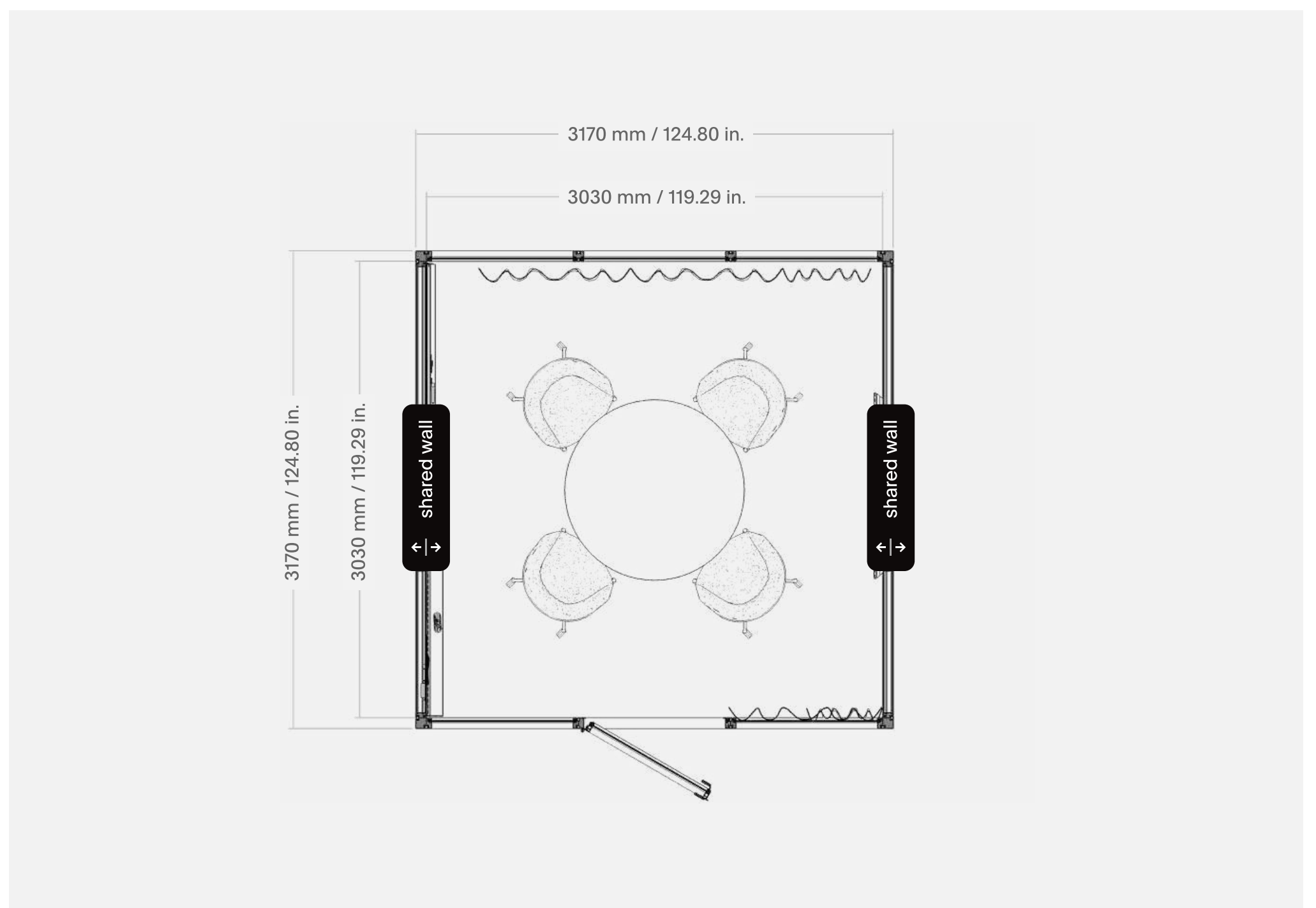
## System furniture and accessories

|    |               |
|----|---------------|
| ✓  | curtain rail  |
| ✓  | curtain       |
| 2x | shallow shelf |
| 1x | tv hanger     |
| 2x | whiteboard    |
| 2x | display rail  |
| 8x | magnet        |
| 2x | wall hook     |

## Third party fit-out

Listed products are purely exemplary and are not sold by Mute.

|    |                                    |
|----|------------------------------------|
| 1x | table Ø1200 mm / Ø47.24 in. by Ton |
| 4x | chair by Hay                       |



Interested in this unit?

Ask for an offer →

Need more options?

See all rooms →

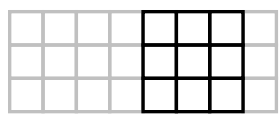


Room like the one specified in this card can be combined into multifunctional hubs.

Elements of the Modular system may change.

Specification of the product will be verified while preparing an offer and may also be modified on the client's request.





Room name

# Lounge 3x3 p5.v1.O

Function  
Lounge

Modular size  
3x3

Capacity  
5 people

Room type  
Open

## Dimensions (W x L x H)

Exterior 3170 x 3170 x 2400 mm  
124.80 x 124.80 x 94.49 in.

Interior 3030 x 3030 x 2250 mm  
119.29 x 119.29 x 88.58 in.

## Description

This room for relaxing provide space up to 5 people. It's equipped with dedicated furniture and accessories, finished with third-party fit-outs.

It is a part of Modular Lounge set – cozy areas for less-formal meet-ups and every casual occasion. Perfect for a waiting lounge, chill-out area, or gaming room.

## Construction

Also available without electricity

|    |                                       |
|----|---------------------------------------|
| 6x | solid wall module 1010 mm / 39.76 in. |
| 1x | modular electric socket               |
| 1x | control panel                         |
| 6x | Flask track lighting                  |
| ✓  | overhanging ceiling profile           |

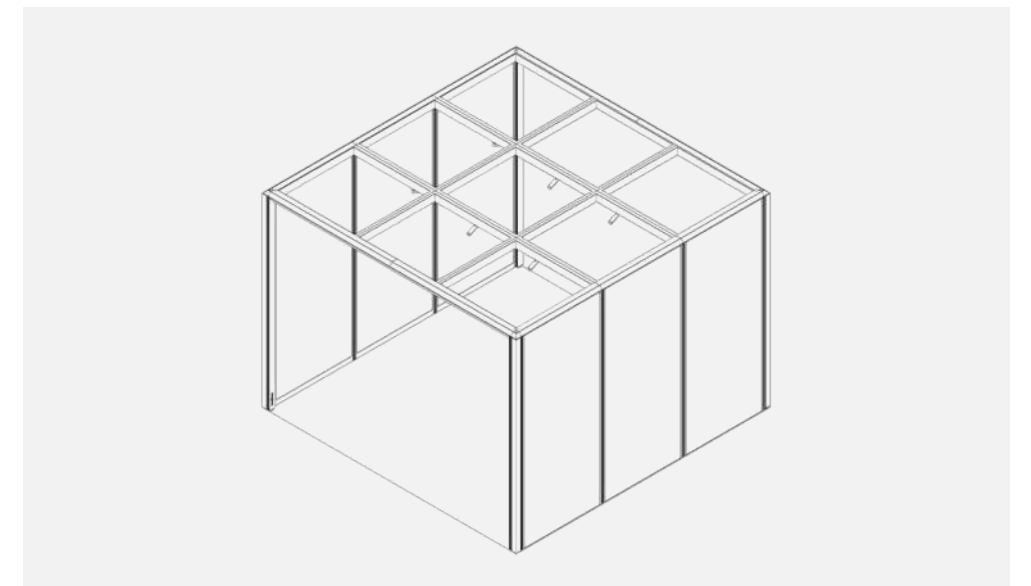
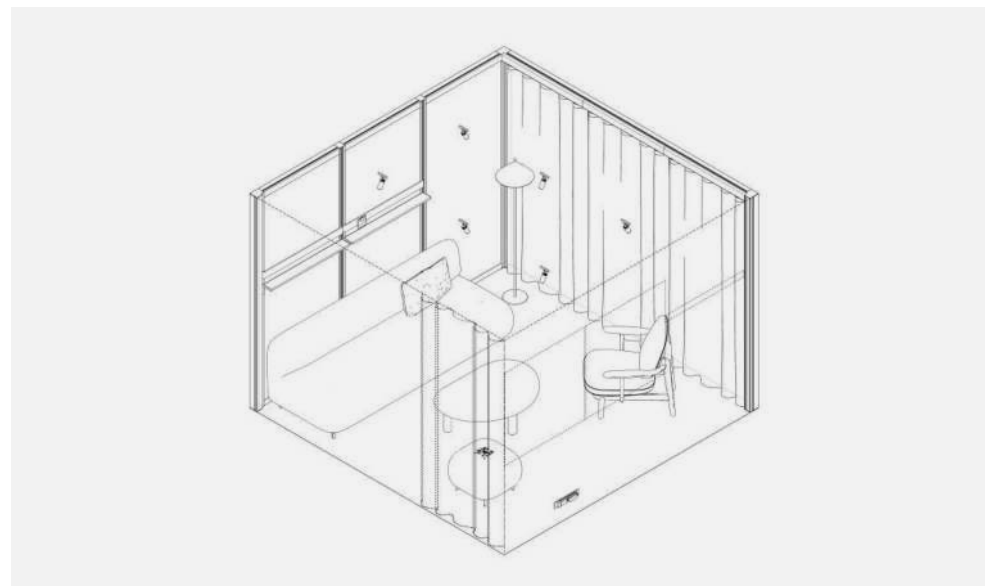
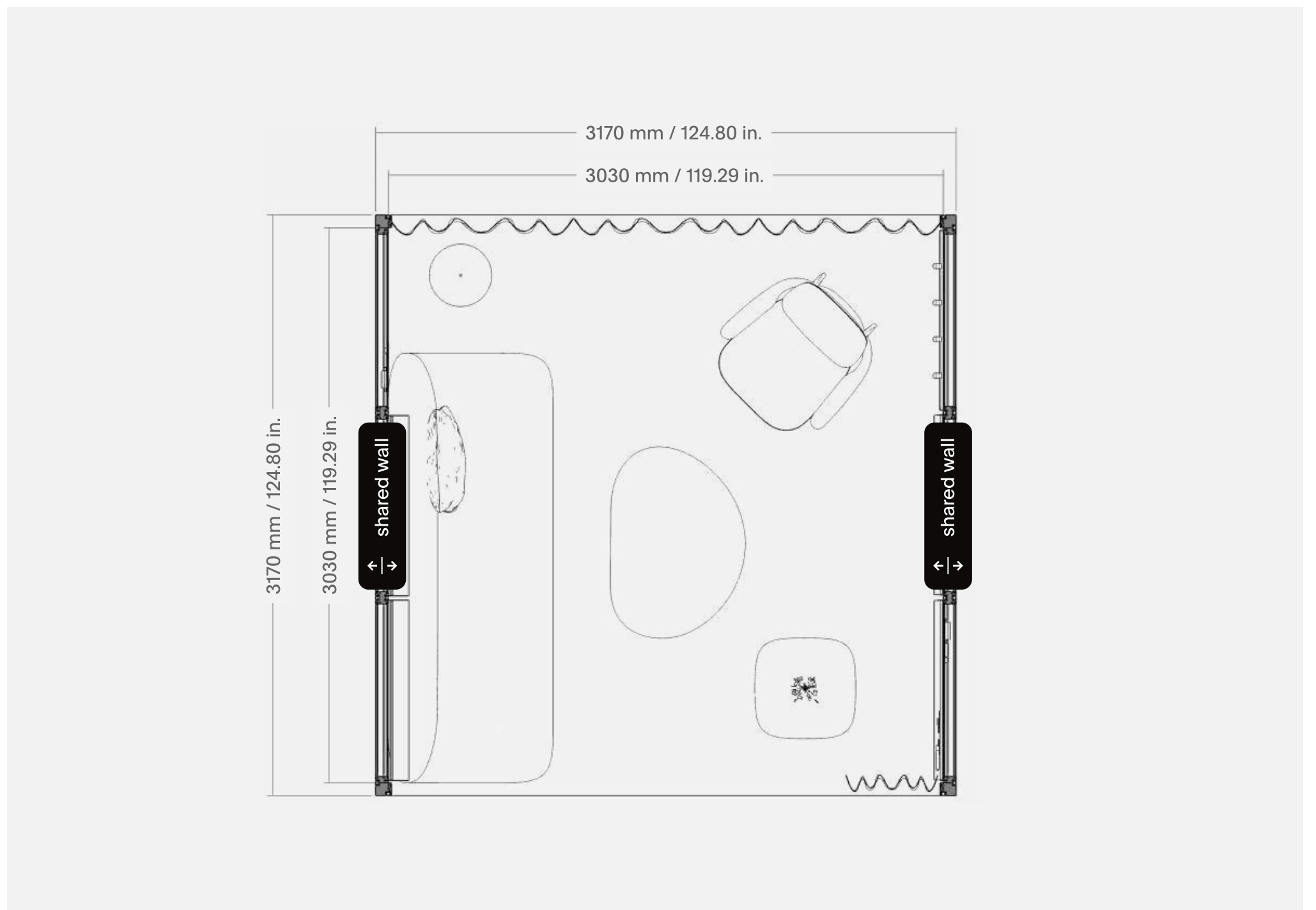
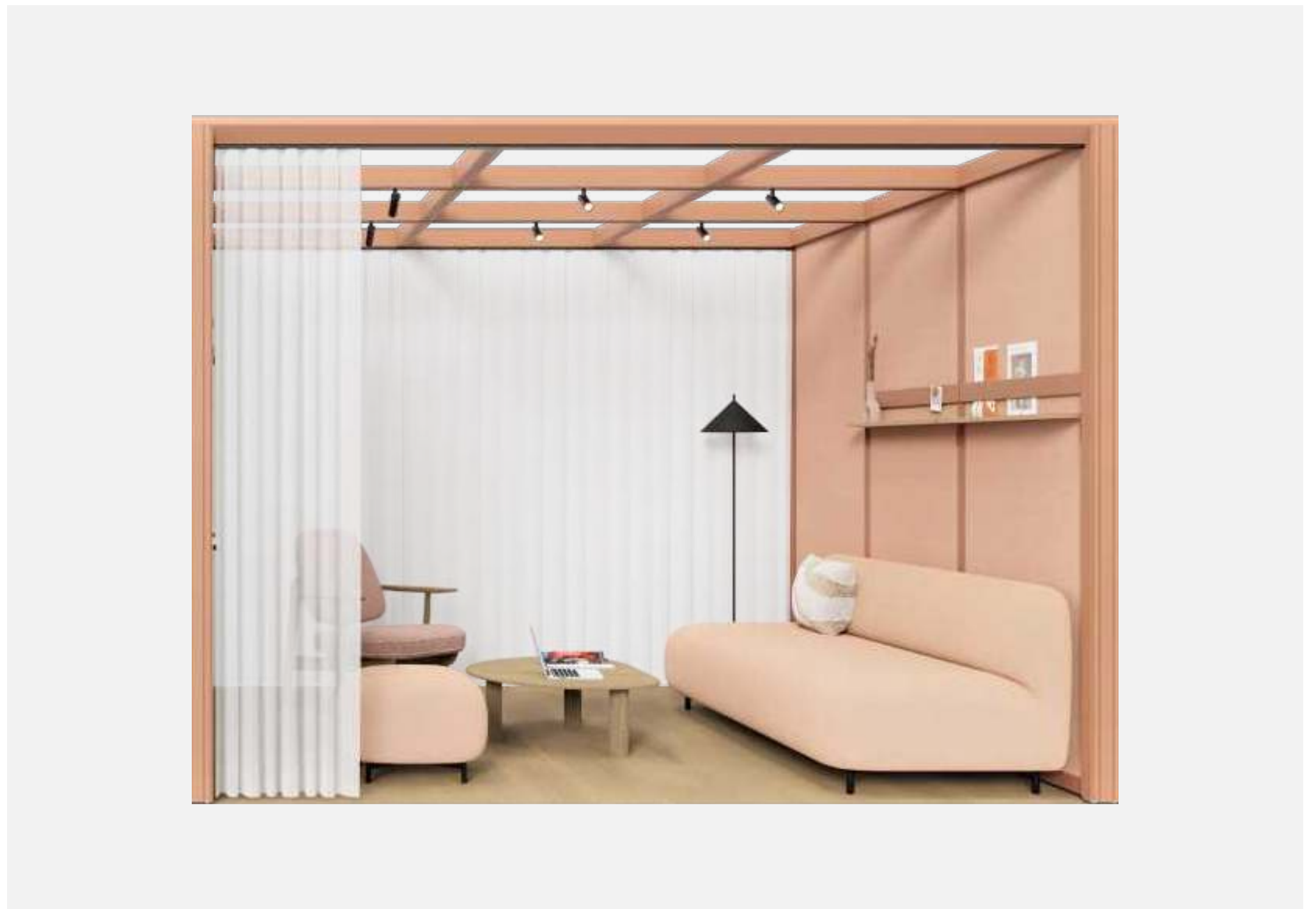
## System furniture and accessories

|    |                   |
|----|-------------------|
| ✓  | curtain rail      |
| ✓  | curtain           |
| 2x | shallow shelf     |
| 2x | whiteboard        |
| 3x | display rail      |
| 4x | display rail hook |
| 8x | magnet            |

## Third party fit-out

Listed products are purely exemplary and are not sold by Mute.

|    |                              |
|----|------------------------------|
| 1x | sofa by Pedrali              |
| 1x | pouf by Pedrali              |
| 1x | lounge chair by Fritz Hansen |
| 1x | coffee table by Arper        |
| 1x | floor lamp by HK Living      |

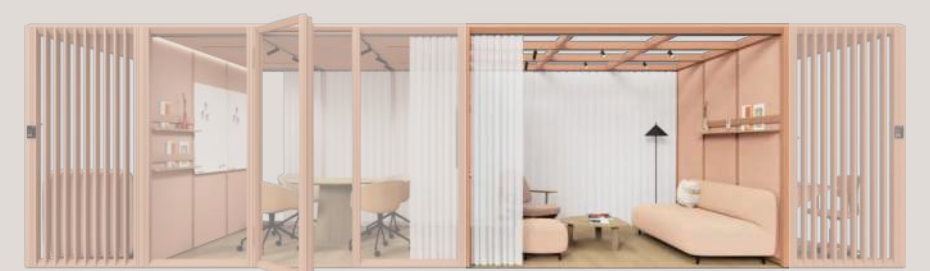


Interested in this unit?

[Ask for an offer →](#)

Need more options?

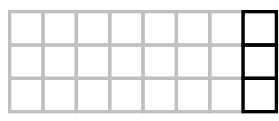
[See all rooms →](#)



Room like the one specified in this card can be combined into multifunctional hubs.

Elements of the Modular system may change.

Specification of the product will be verified while preparing an offer and may also be modified on the client's request.



Room name

# Work 3x1 p2.v1.O

Function  
WorkModular size  
3x1Capacity  
2 peopleRoom type  
Open

## Dimensions (W x L x H)

|          |                            |
|----------|----------------------------|
| Exterior | 3170 × 1150 × 2400 mm      |
|          | 124.80 × 45.28 × 94.49 in. |
| Interior | 3030 × 1010 × 2250 mm      |
|          | 119.29 × 39.76 × 88.58 in. |

## Description

This room for collaborative work provide space and calm for two people. It's equipped with dedicated furniture and accessories, finished with third-party fit-outs.

It is a part of Modular Work set – areas designed purposefully to offer comfort and privacy for the individual, focused work, or small collaborative sessions.

## Construction

Also available without electricity

|    |  |
|----|--|
| 3x | solid wall module 1010 mm / 39.76 in.  |
| 2x | slated wall module 1010 mm / 39.76 in. |
| 3x | ceiling module                         |
| 2x | modular electric socket                |
| 1x | control panel                          |
| ✓  | integrated linear lamp                 |
| ✓  | overhanging ceiling profile            |

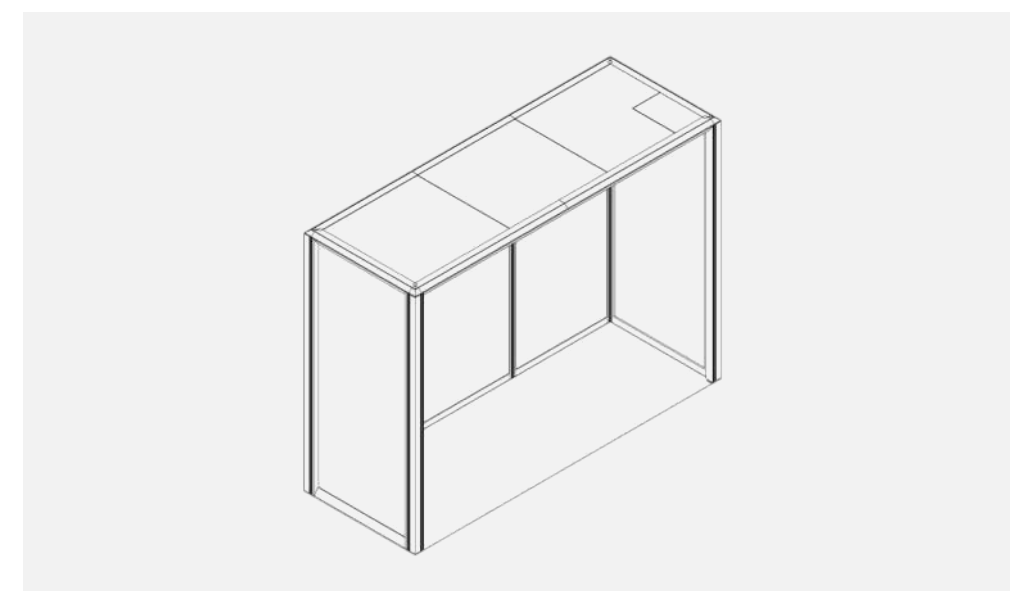
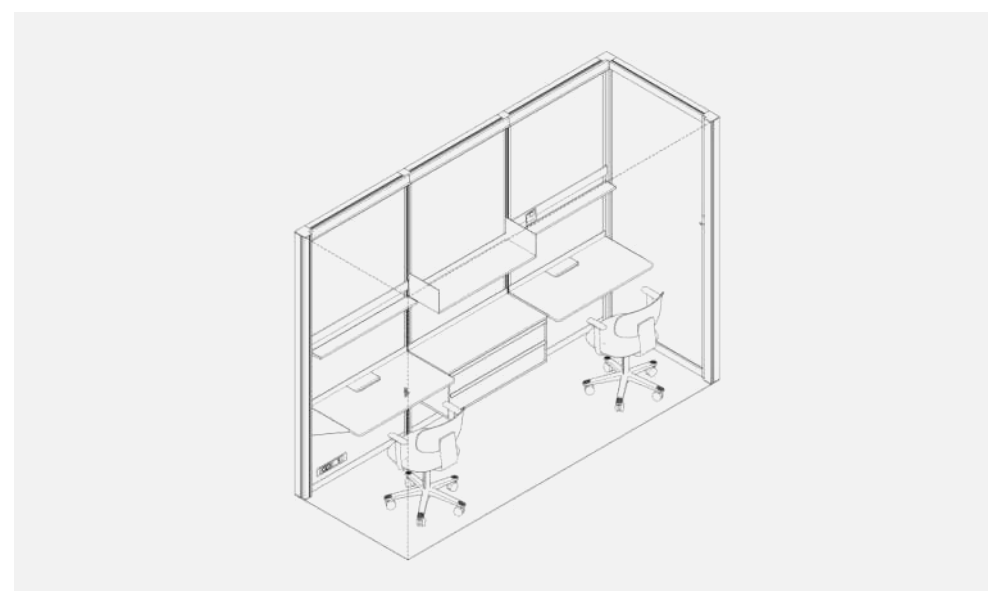
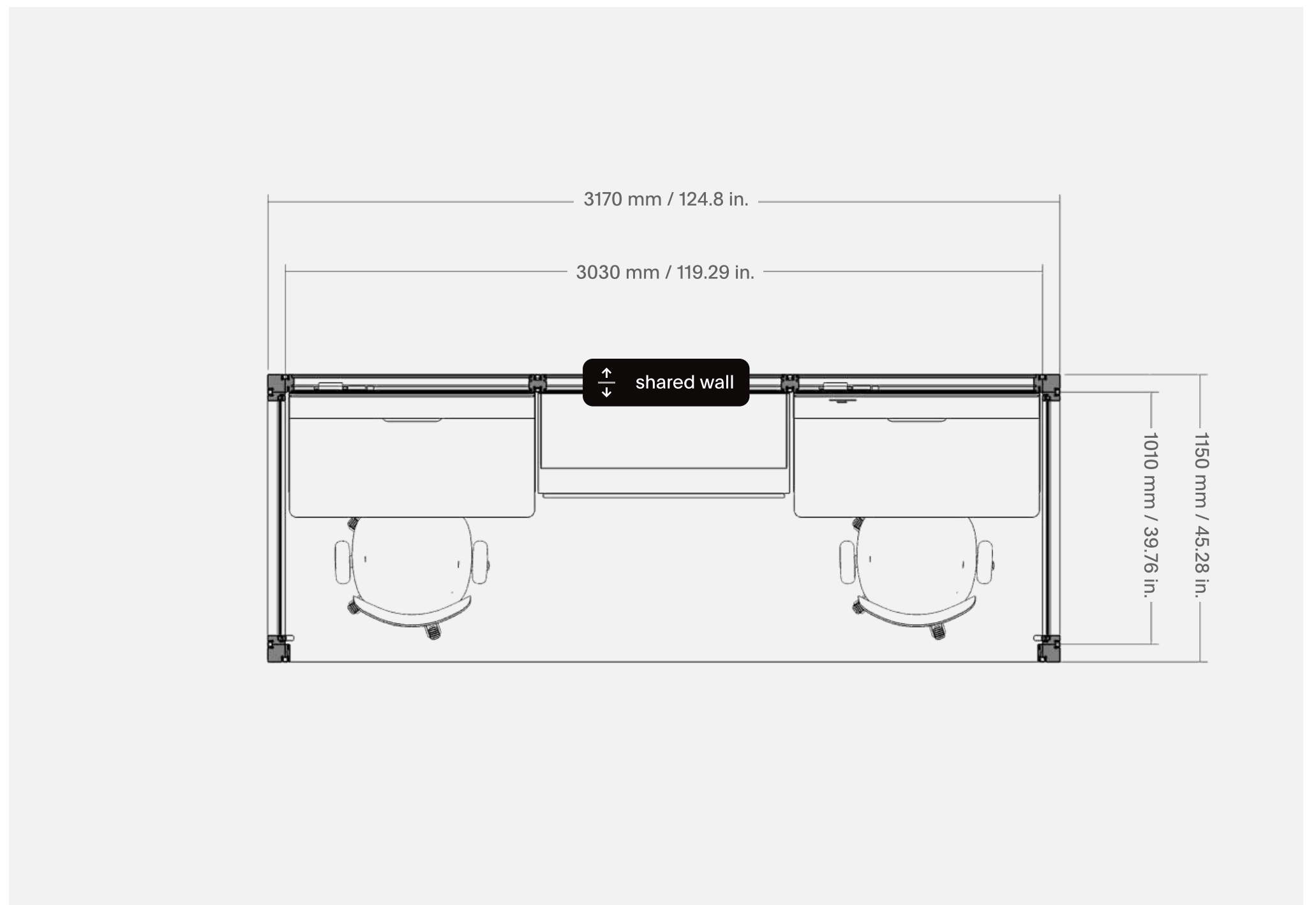
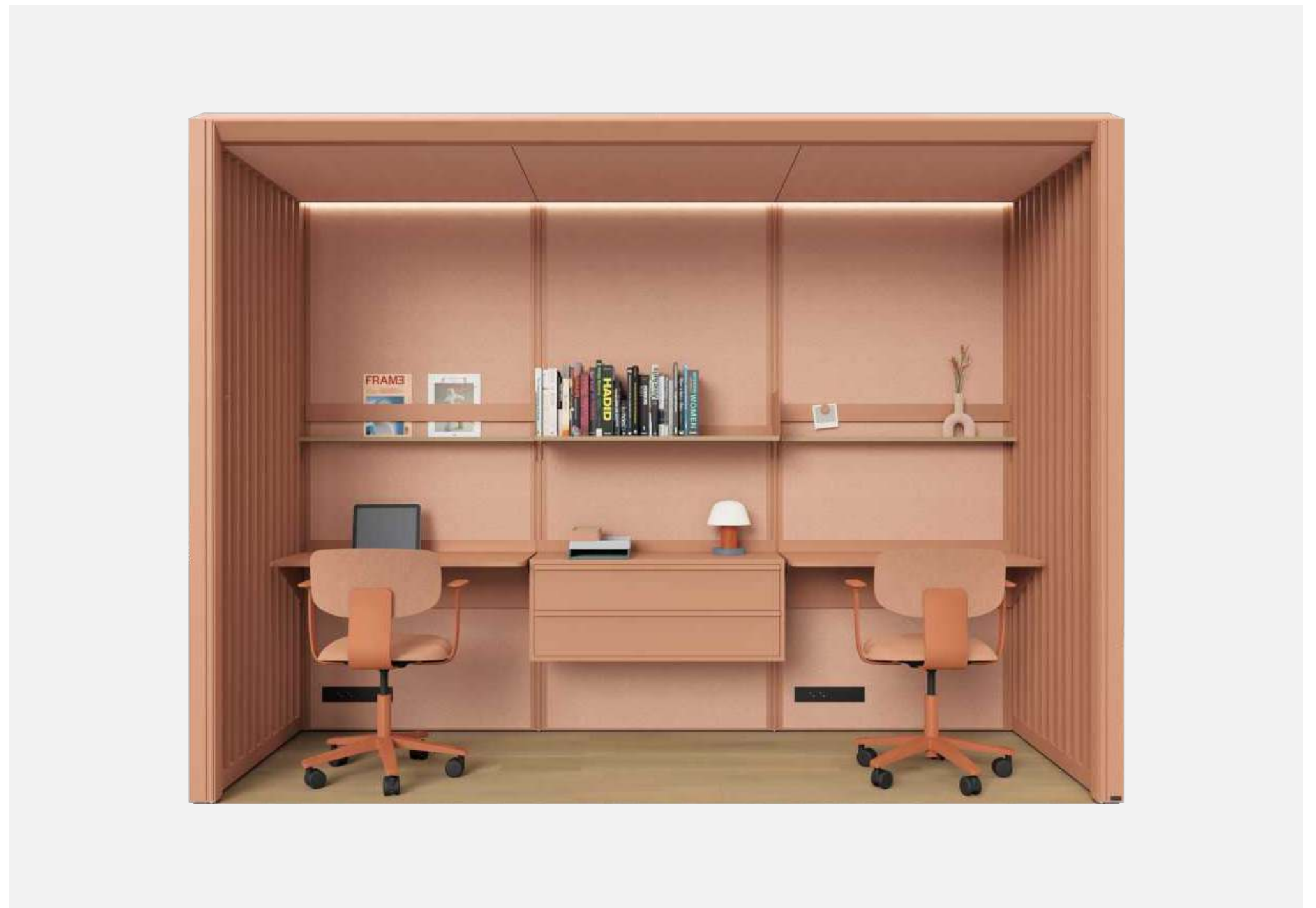
## System furniture and accessories

|    |                          |
|----|--------------------------|
| 2x | shallow shelf            |
| 1x | deep shelf with bookends |
| 1x | two-drawer cabinet       |
| 2x | desk                     |
| 2x | display rail             |
| 2x | magnet                   |
| 2x | wall hook                |

## Third party fit-out

Listed products are purely exemplary and are not sold by Mute.

|    |                    |
|----|--------------------|
| 2x | chair by Håg       |
| 1x | lamp by &Tradition |



Interested in this unit?

Ask for an offer →

Need more options?

See all rooms →



Room like the one specified in this card can be combined into multifunctional hubs.

Elements of the Modular system may change.

Specification of the product will be verified while preparing an offer and may also be modified on the client's request.

# MUTE. Modular

The adaptable room-in-room system

Hub name **Hub 2** Functions **Support + Meet + Work** Hub modular size **4,5x3** Hub capacity **x + 4 + 2** Hub room types **O + C + O**

## Dimensions (W x L x H)

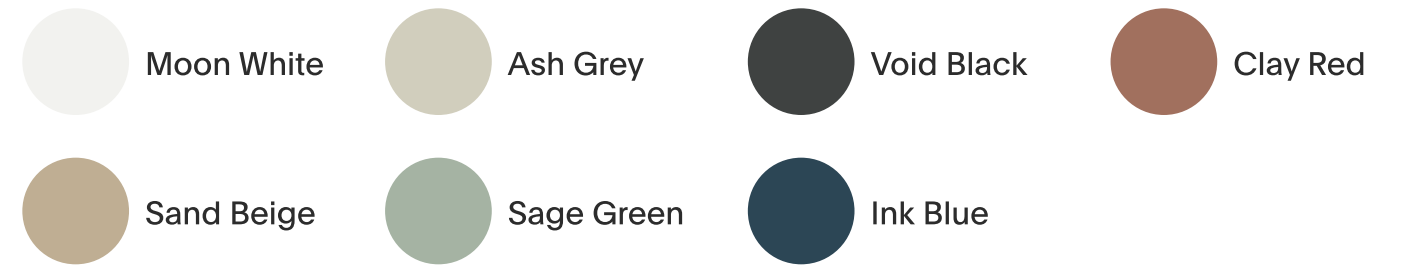
Exterior 4825 x 3170 x 2400 mm / 189.96 x 124.8 x 94.49 in.

## Description

The system offers unmatched level of modularity. You can arrange individual rooms or combine them into cross-functional hubs to build the perfect, flexible office that provide space and complexity.

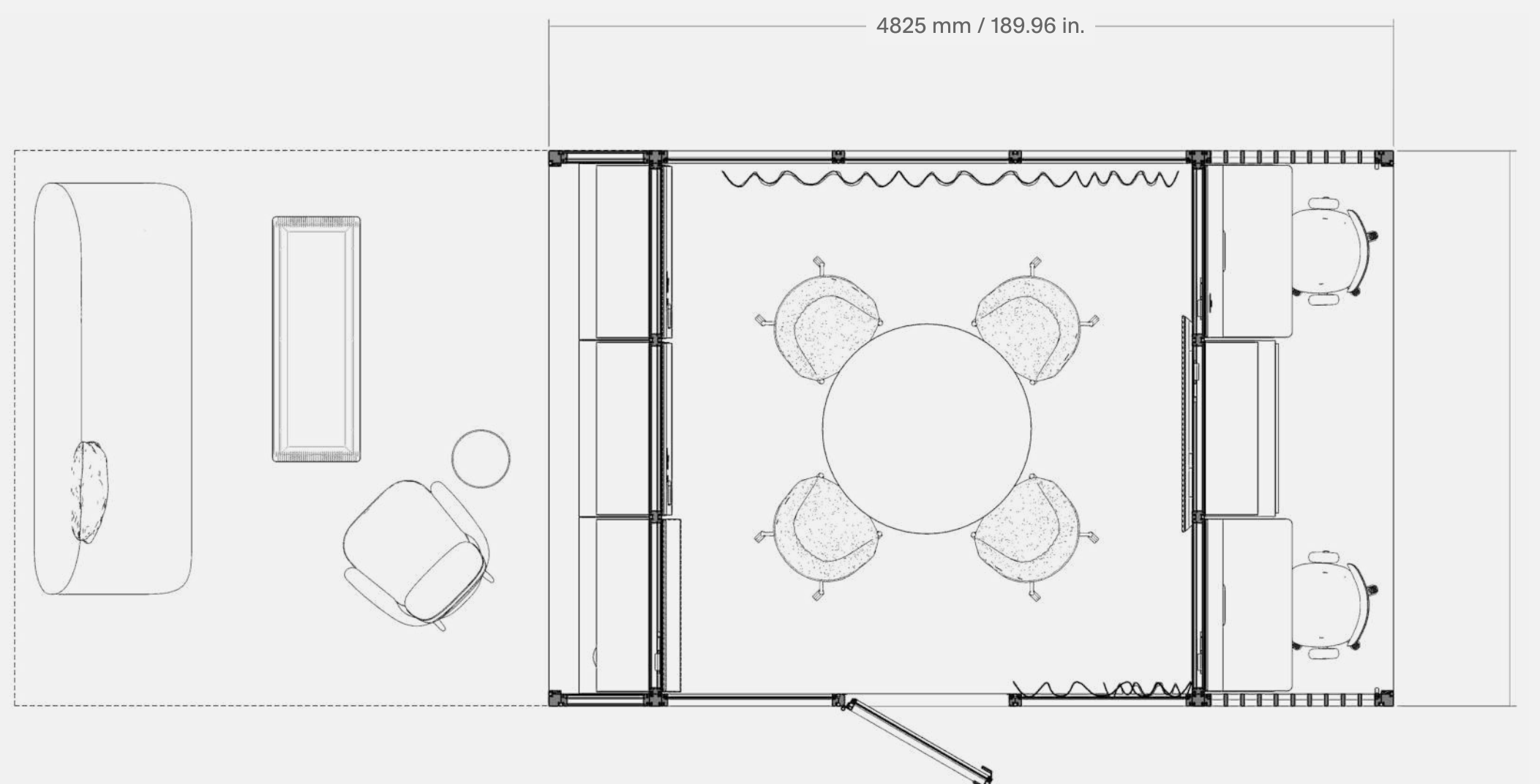
## Colors

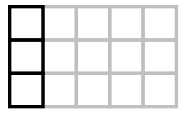
This hub is available in 7 colors.



See single rooms of this hub on next pages

This visualization contains 3rd party products which are purely exemplary and are not sold by Mute.





Room name

# Support 3×0,5 v2.0

Function  
SupportModular size  
3×0,5Capacity  
-Room type  
Open

## Dimensions (W × L × H)

Exterior 3170 × 645 × 2400 mm  
124.80 × 25.39 × 94.49 in.Interior 3030 × 505 × 2250 mm  
119.29 × 19.88 × 88.58 in.

## Description

This room for facilitating office work provide space and functionality. It's equipped with dedicated furniture and accessories, finished with third-party fit-outs.

It is a part of Modular Support, set – multi-functional areas created for back-office functions such as storage, cloakroom, coffee corner, or copy point.

## Construction

Also available without electricity

|    |                                       |
|----|---------------------------------------|
| 3× | solid wall module 1010 mm / 39.76 in. |
| 2× | solid wall module 505 mm / 19.88 in.  |
| 3× | ceiling module                        |
| 1× | modular electric socket               |
| 1× | control panel                         |
| √  | integrated linear lamp                |
| √  | overhanging ceiling profile           |

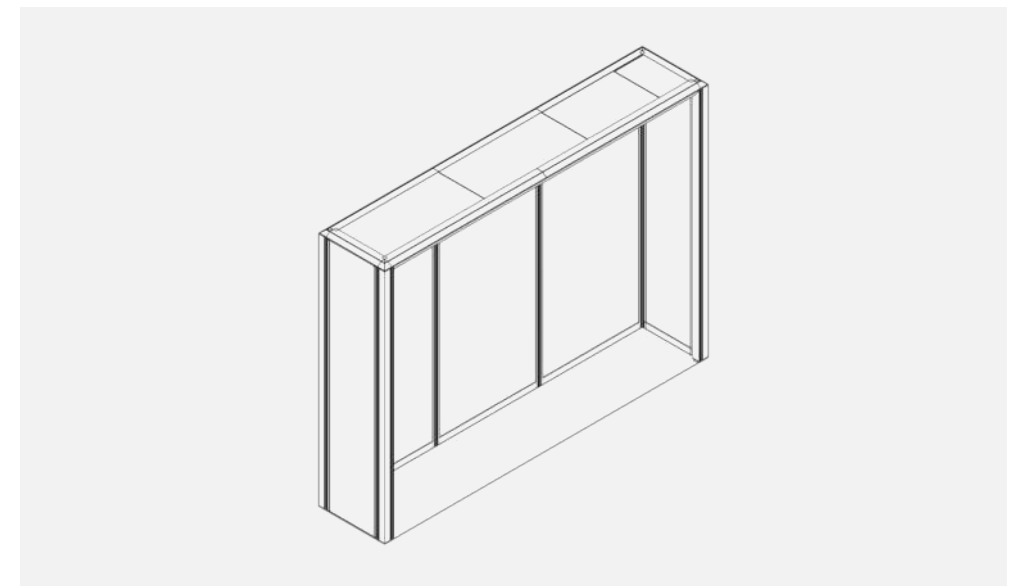
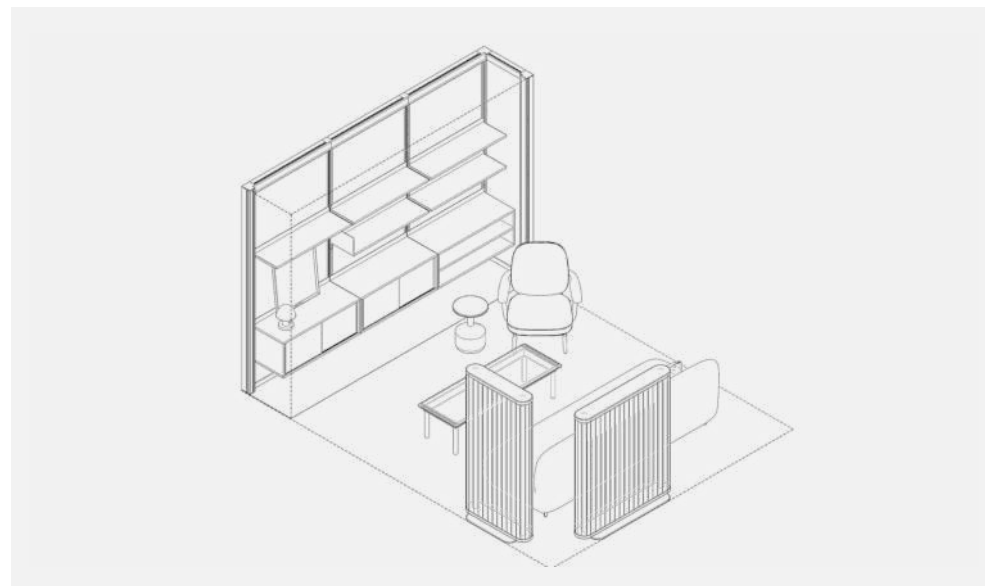
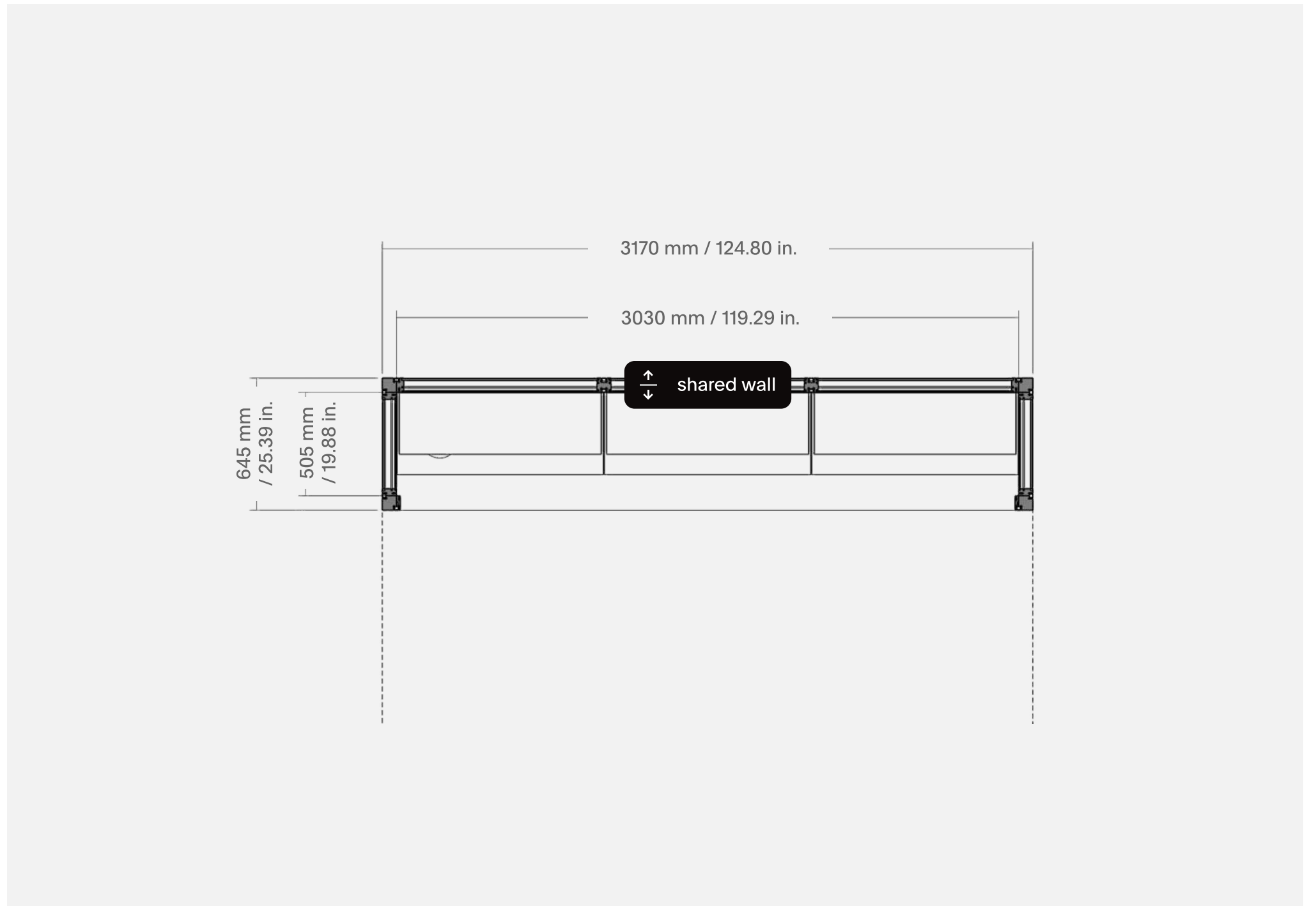
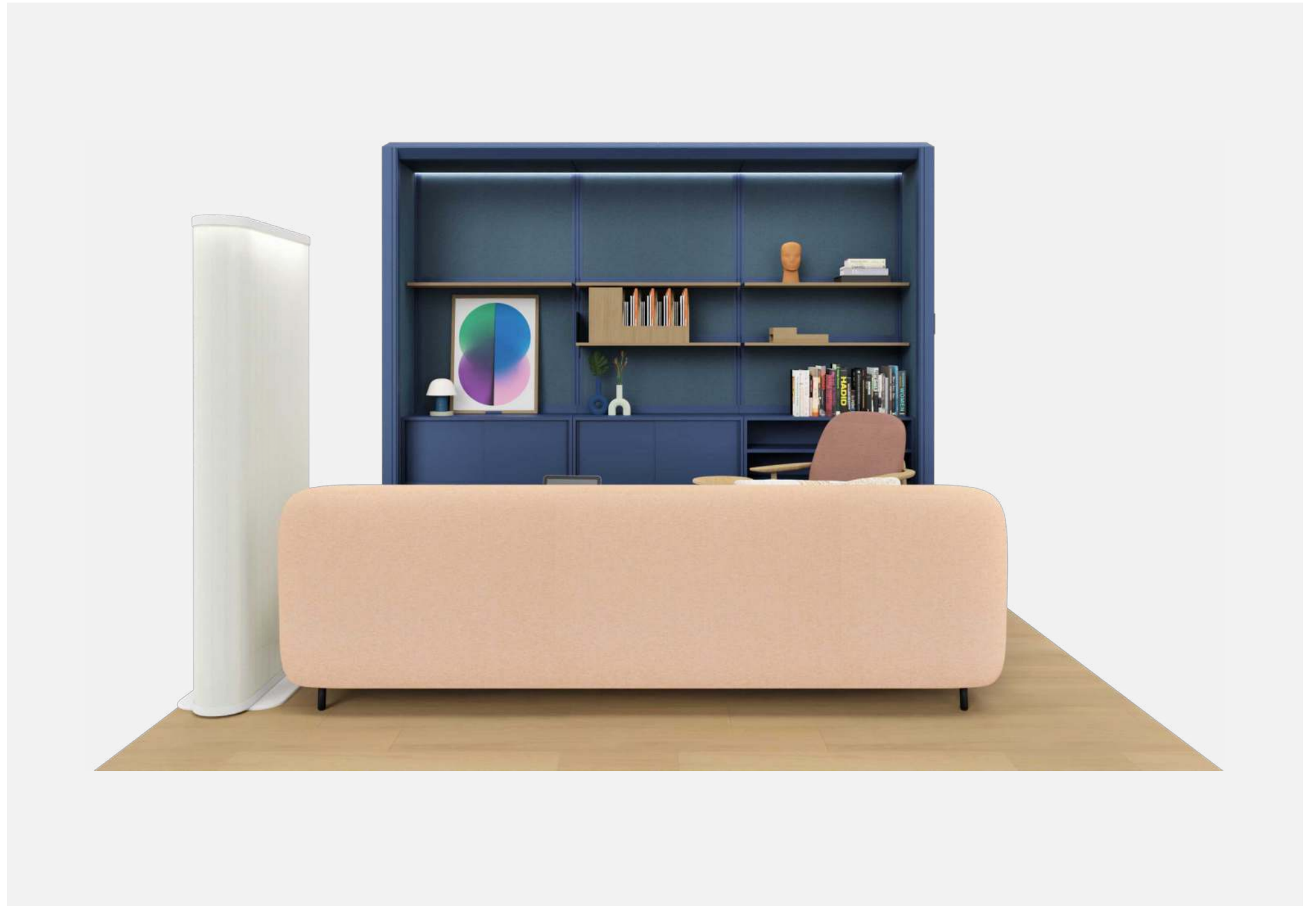
## System furniture and accessories

|    |                              |
|----|------------------------------|
| 4× | deep shelf                   |
| 1× | open shelf cabinet           |
| 2× | sliding door cabinet         |
| 1× | deep shelf with left bookend |
| 1× | display stand                |

## Third party fit-out

Listed products are purely exemplary and are not sold by Mute (except lamps by Mute).

|    |                              |
|----|------------------------------|
| 1× | sofa by Pedrali              |
| 1× | lounge chair by Fritz Hansen |
| 1× | coffee table by Hay          |
| 1× | side table by Miniforms      |
| 2× | Mist lamp by Mute            |



Interested in this unit?

Ask for an offer →

Need more options?

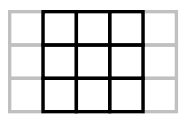
See all rooms →



Room like the one specified in this card can be combined into multifunctional hubs.

Elements of the Modular system may change.

Specification of the product will be verified while preparing an offer and may also be modified on the client's request.



Room name

# Meet 3x3 p4.v2.C

Function  
MeetModular size  
3x3Capacity  
4 peopleRoom type  
Closed

## Dimensions (W × L × H)

Exterior 3170 × 3170 × 2400 mm  
124.80 × 124.80 × 94.49 in.Interior 3030 × 3030 × 2250 mm  
119.29 × 119.29 × 88.58 in.

## Description

This room for meetups provide space up to 4 people. It's equipped with dedicated furniture and accessories, finished with third-party fit-outs.

It is a part of Modular Meet set – places in plenty of sizes and capacities to host any gathering: team meet-ups, brainstorm, workshops, small talks, and more.

## Construction

|    |  |    |                         |
|----|--|----|-------------------------|
| 6x | solid wall module<br>1010 mm / 39.76 in. | 2x | modular electric socket |
|    |  | 1x | control panel           |
| 5x | glass wall module<br>1010 mm / 39.76 in. | 2x | occupancy sensor        |
|    |  | 6x | Flask track lighting    |
| 1x | left-hand glass door                     | 1x | Mika track lighting     |
| 5x | ceiling module                           | √  | integrated linear lamp  |
| 4x | ventilation ceiling module               |    |                         |

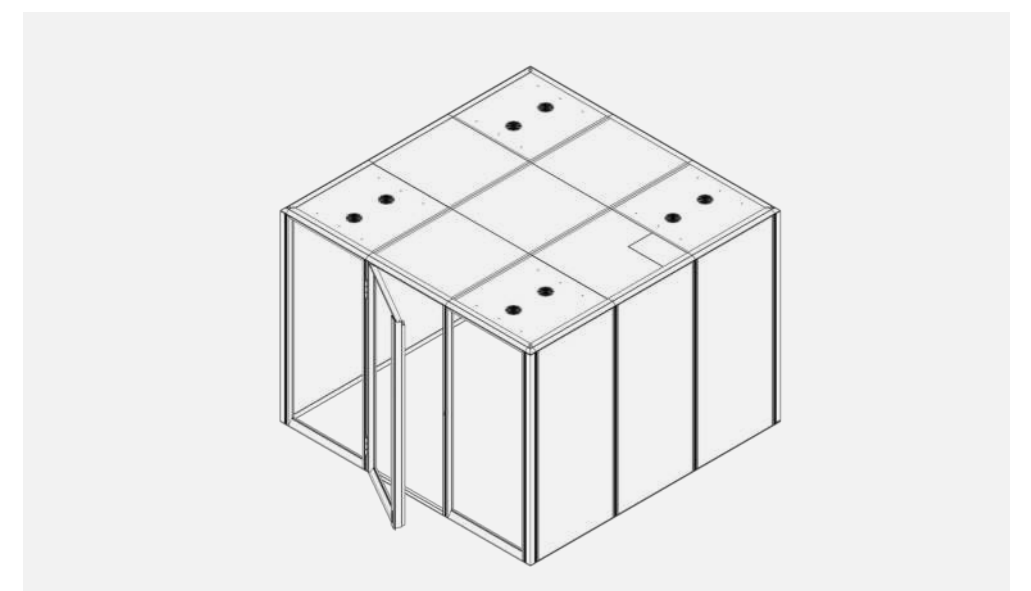
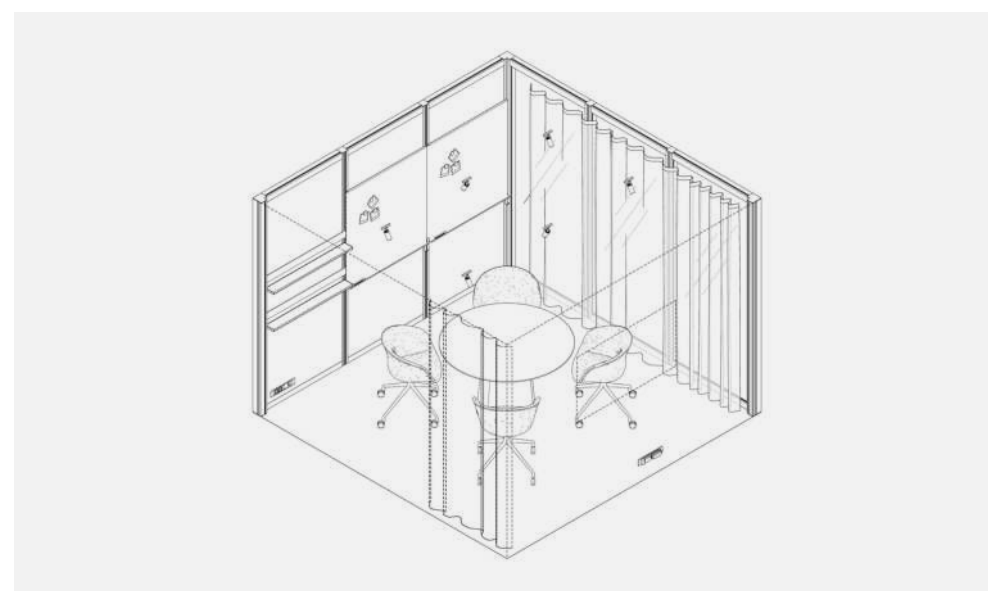
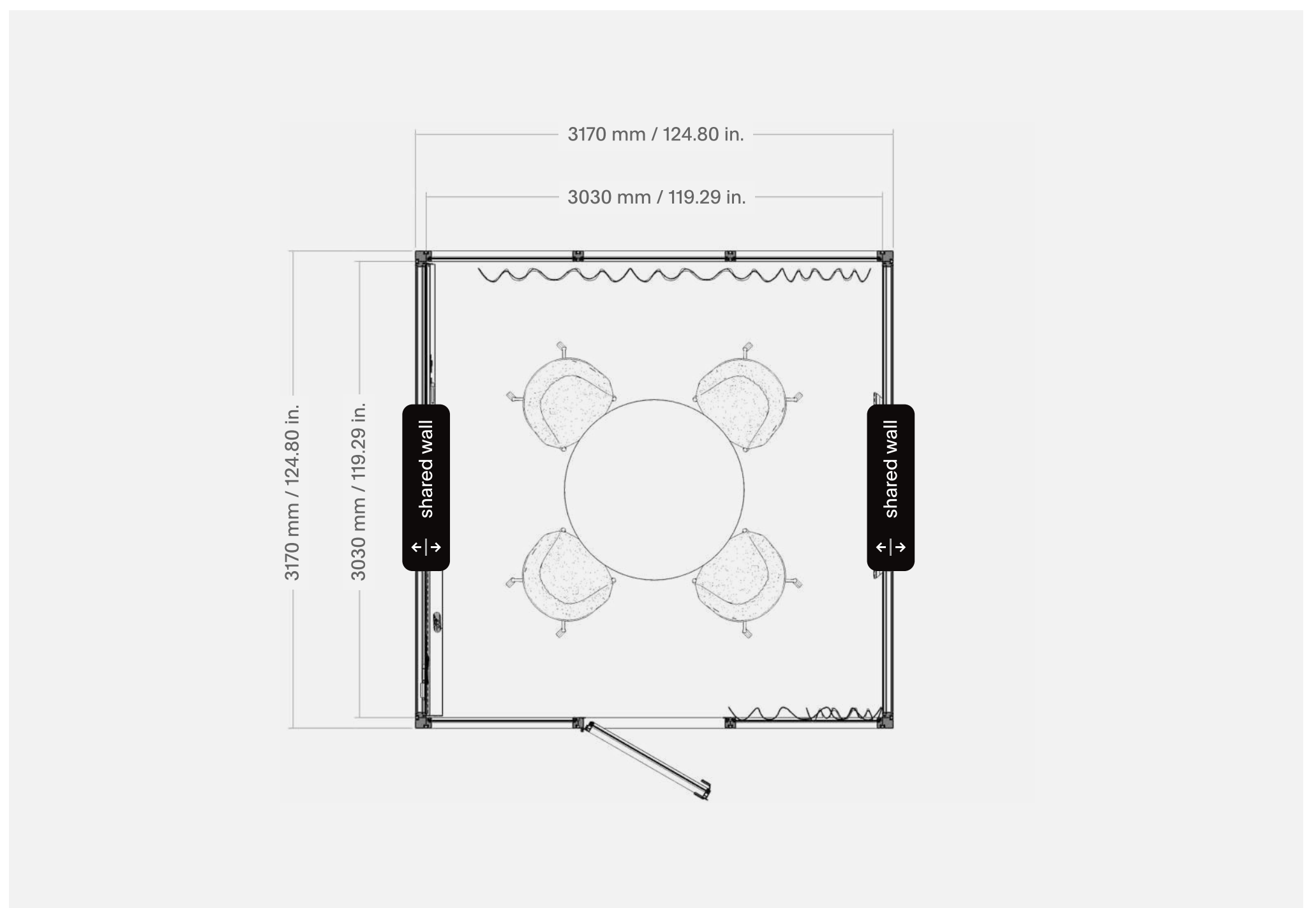
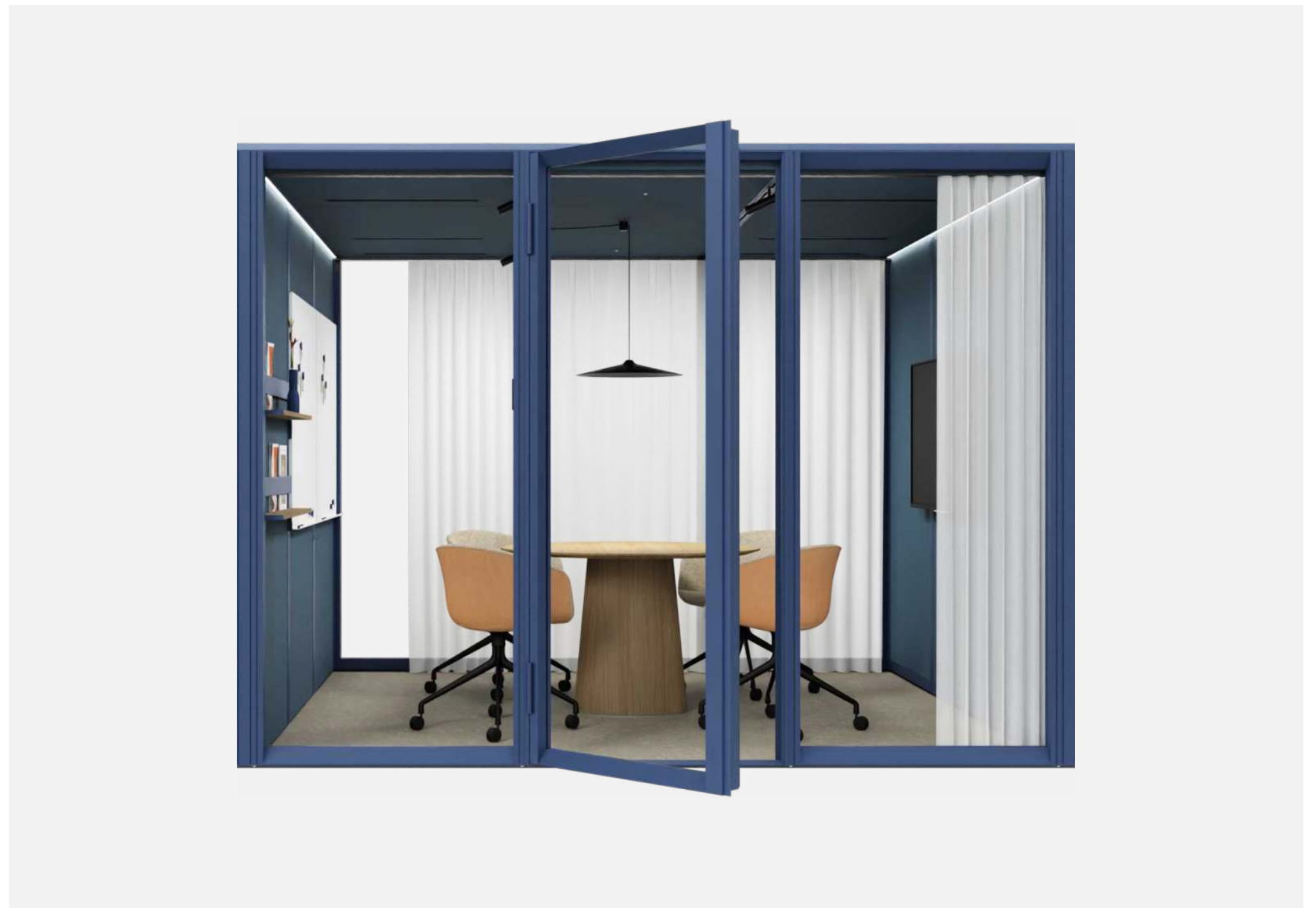
## System furniture and accessories

|    |               |
|----|---------------|
| √  | curtain rail  |
| √  | curtain       |
| 2x | shallow shelf |
| 1x | tv hanger     |
| 2x | whiteboard    |
| 2x | display rail  |
| 8x | magnet        |
| 2x | wall hook     |

## Third party fit-out

Listed products are purely exemplary and are not sold by Mute.

|    |                                    |
|----|------------------------------------|
| 1x | table Ø1200 mm / Ø47.24 in. by Ton |
| 4x | chair by Hay                       |



Interested in this unit?

Ask for an offer →

Need more options?

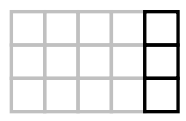
See all rooms →



Room like the one specified in this card can be combined into multifunctional hubs.

Elements of the Modular system may change.

Specification of the product will be verified while preparing an offer and may also be modified on the client's request.



Room name

# Work 3×1 p2.v1.O

Function  
WorkModular size  
3×1Capacity  
2 peopleRoom type  
Open

## Dimensions (W × L × H)

|          |                            |
|----------|----------------------------|
| Exterior | 3170 × 1150 × 2400 mm      |
|          | 124.80 × 45.28 × 94.49 in. |
| Interior | 3030 × 1010 × 2250 mm      |
|          | 119.29 × 39.76 × 88.58 in. |

## Description

This room for collaborative work provide space and calm for two people. It's equipped with dedicated furniture and accessories, finished with third-party fit-outs.

It is a part of Modular Work set – areas designed purposefully to offer comfort and privacy for the individual, focused work, or small collaborative sessions.

## Construction

Also available without electricity

|    |   |
|----|---|
| 3× | solid wall module 1010 mm / 39.76 in.   |
| 2× | slatted wall module 1010 mm / 39.76 in. |
| 3× | ceiling module                          |
| 2× | modular electric socket                 |
| 1× | control panel                           |
| ✓  | integrated linear lamp                  |
| ✓  | overhanging ceiling profile             |

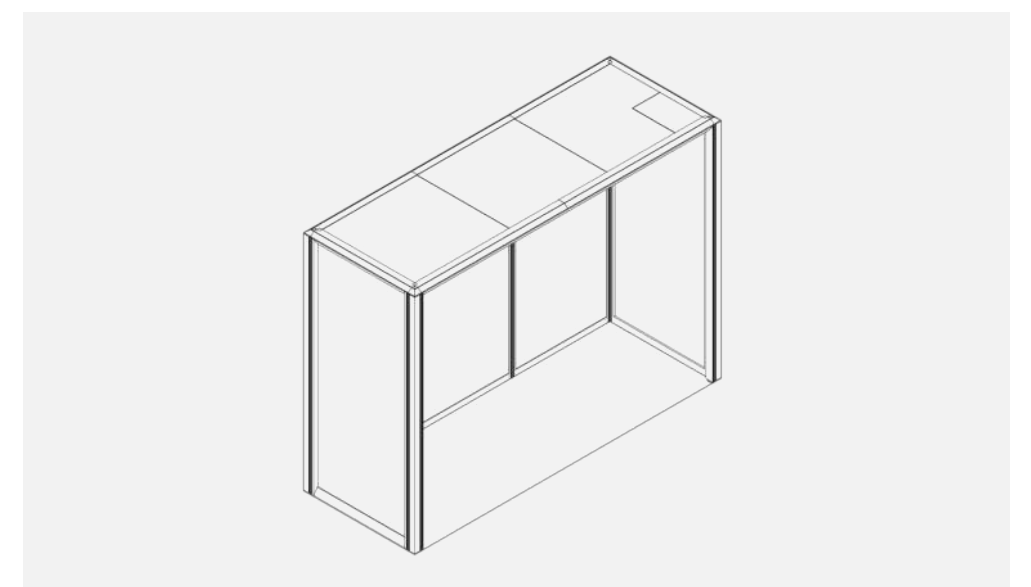
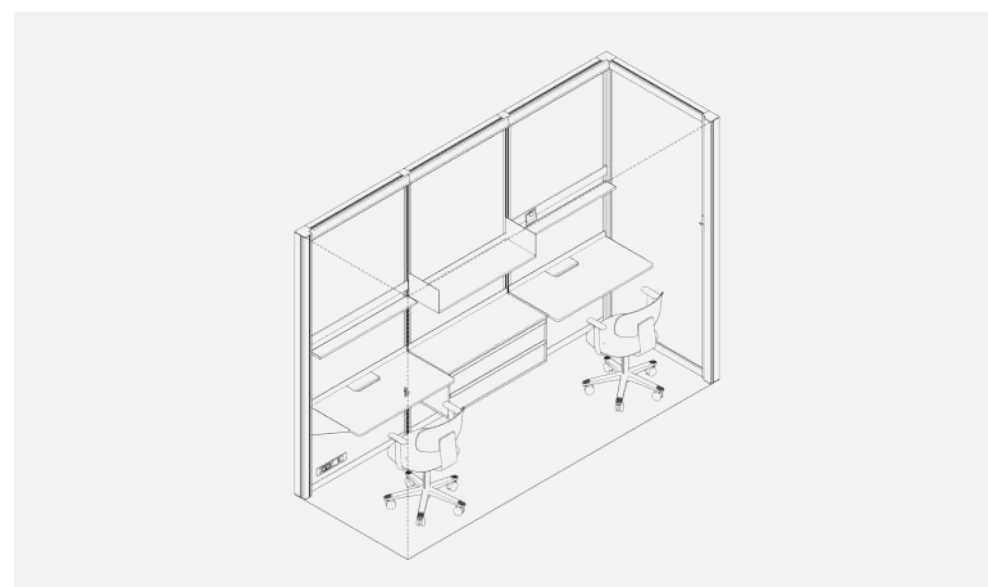
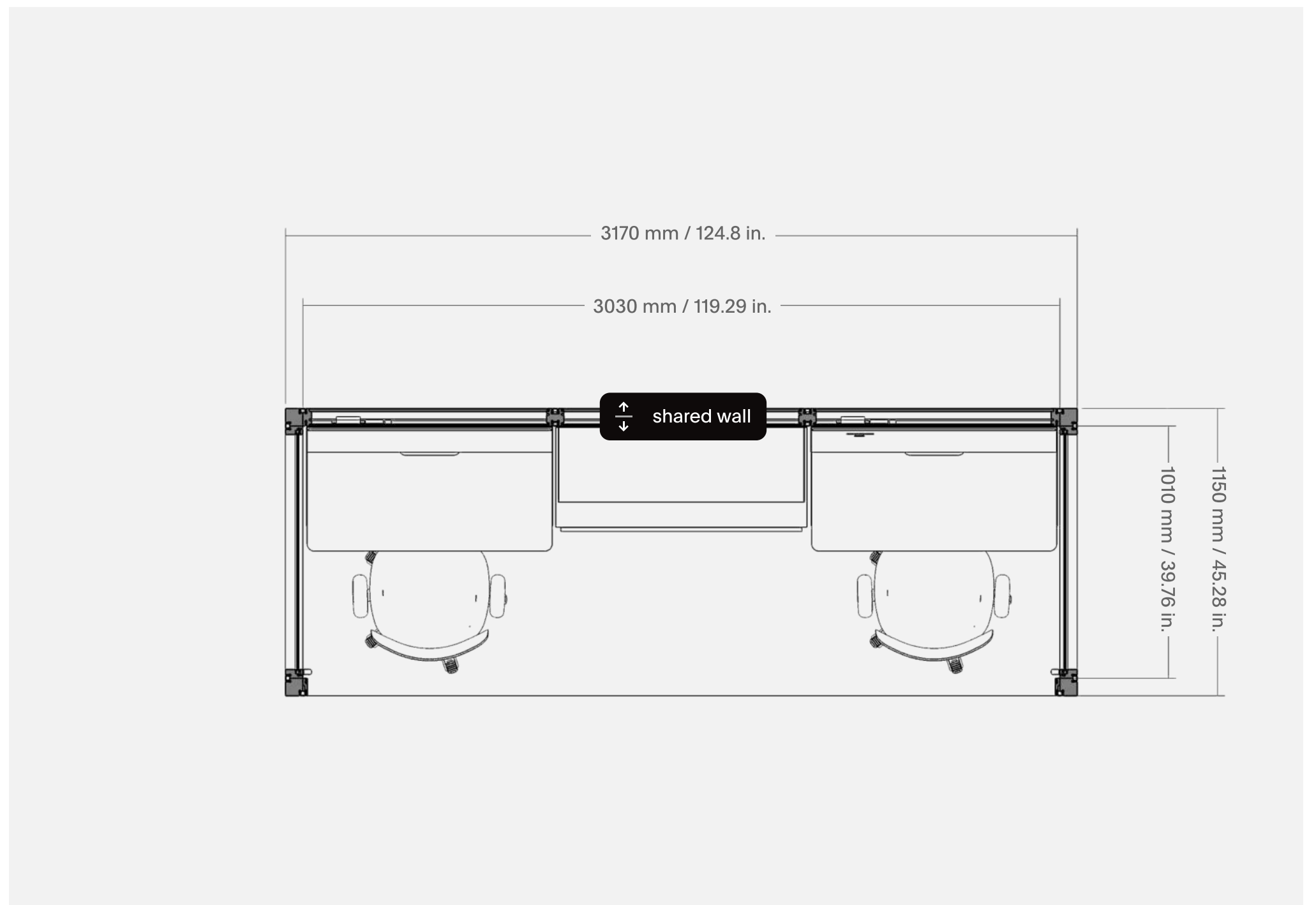
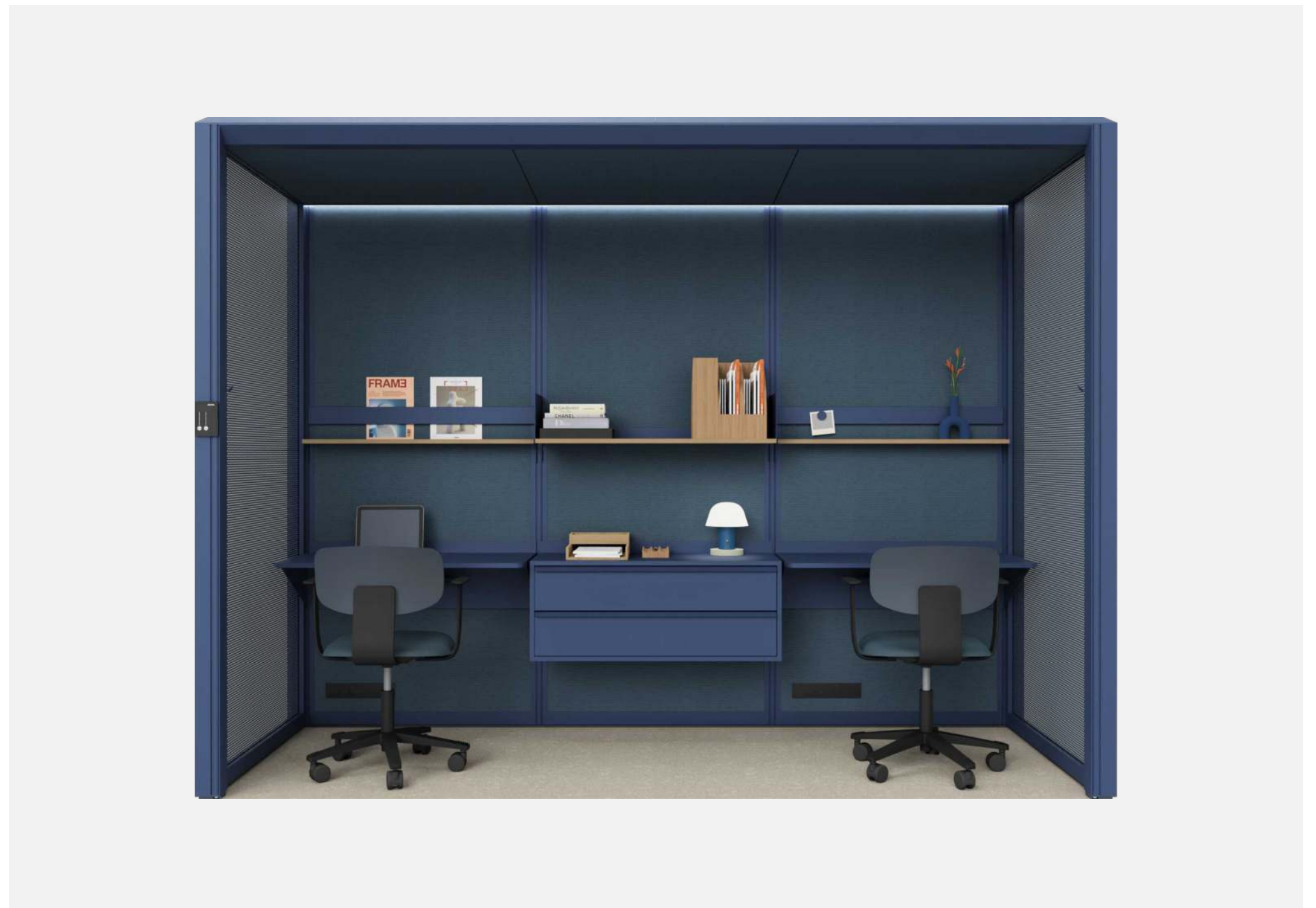
## System furniture and accessories

|    |                          |
|----|--------------------------|
| 2× | shallow shelf            |
| 1× | deep shelf with bookends |
| 1× | two-drawer cabinet       |
| 2× | desk                     |
| 2× | display rail             |
| 2× | magnet                   |
| 2× | wall hook                |

## Third party fit-out

Listed products are purely exemplary and are not sold by Mute.

|    |                    |
|----|--------------------|
| 2× | chair by Håg       |
| 1× | lamp by &Tradition |



Interested in this unit?

Ask for an offer →

Need more options?

See all rooms →



Room like the one specified in this card can be combined into multifunctional hubs.

Elements of the Modular system may change.

Specification of the product will be verified while preparing an offer and may also be modified on the client's request.

MUTE.

# Modular

The adaptable room-in-room system

|                          |  |                                |                                  |                                    |
|--------------------------|--|--------------------------------|----------------------------------|------------------------------------|
| Hub name<br><b>Hub 3</b> | Functions<br><b>Work + Meet + Lounge</b> | Hub modular size<br><b>5x3</b> | Hub capacity<br><b>2 + 3 + 2</b> | Hub room types<br><b>O + C + O</b> |
|--------------------------|--|--------------------------------|----------------------------------|------------------------------------|

**Dimensions (W x L x H)**

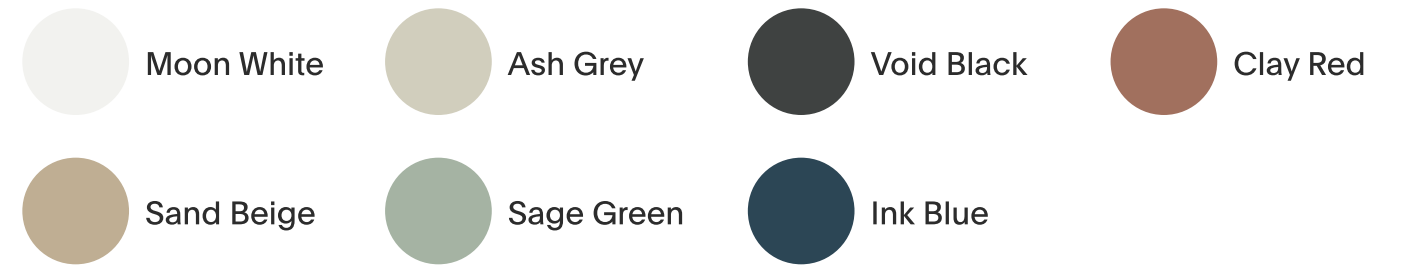
Exterior 5330 x 3170 x 2400 mm / 209.84 x 124.8 x 94.49 in.

**Description**

The system offers unmatched level of modularity. You can arrange individual rooms or combine them into cross-functional hubs to build the perfect, flexible office that provide space and complexity.

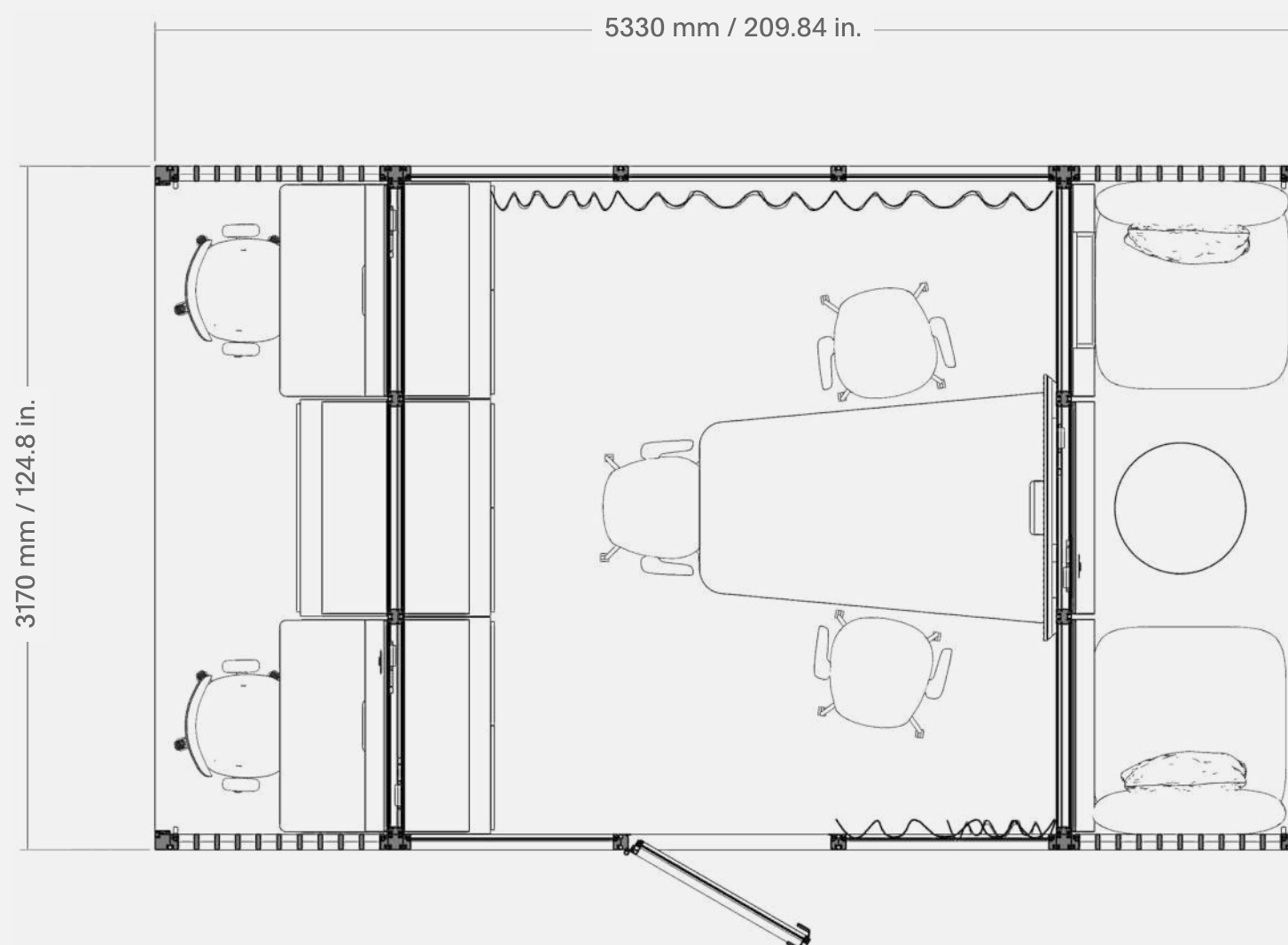
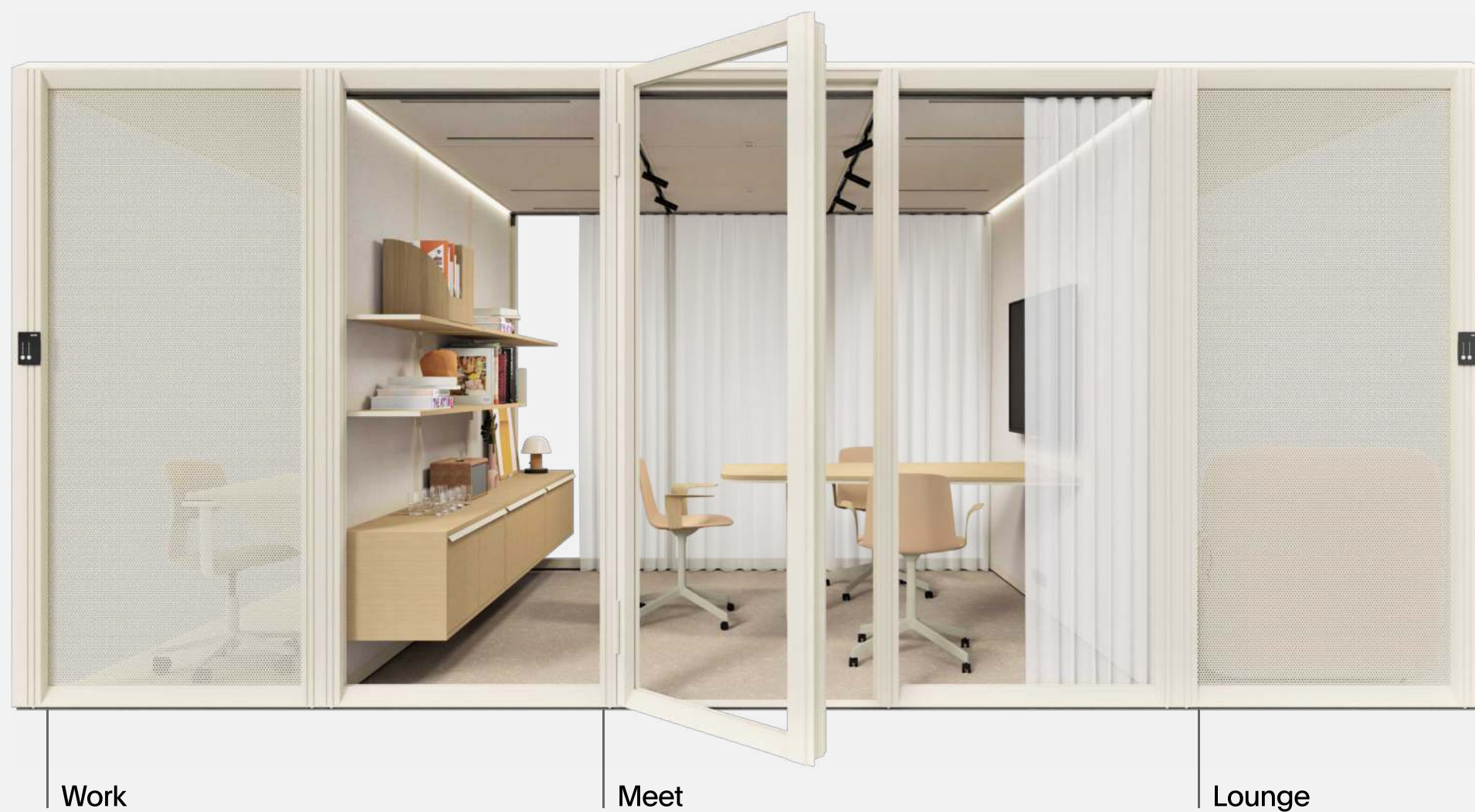
**Colors**

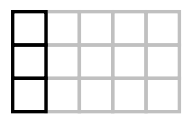
This hub is available in 7 colors.



See single rooms of this hub on next pages

This visualization contains 3rd party products which are purely exemplary and are not sold by Mute.





Hub 3 / Room 1 of 3

Room name

# Work 3×1 p2.v1.O

Function  
WorkModular size  
3×1Capacity  
2 peopleRoom type  
Open

## Dimensions (W × L × H)

Exterior 3170 × 1150 × 2400 mm  
124.80 × 45.28 × 94.49 in.

Interior 3030 × 1010 × 2250 mm.  
119.29 × 39.76 × 88.58 in.

## Description

This room for collaborative work provide space and calm for two people. It's equipped with dedicated furniture and accessories, finished with third-party fit-outs.

It is a part of Modular Work set – areas designed purposefully to offer comfort and privacy for the individual, focused work, or small collaborative sessions.

## Construction

Also available without electricity

|    |  |
|----|--|
| 3× | solid wall module 1010 mm / 39.76 in.            |
| 2× | perforated metal wall module 1010 mm / 39.76 in. |
| 3× | ceiling module                                   |
| 2× | modular electric socket                          |
| 1× | control panel                                    |
| ✓  | integrated linear lamp                           |
| ✓  | overhanging ceiling profile                      |

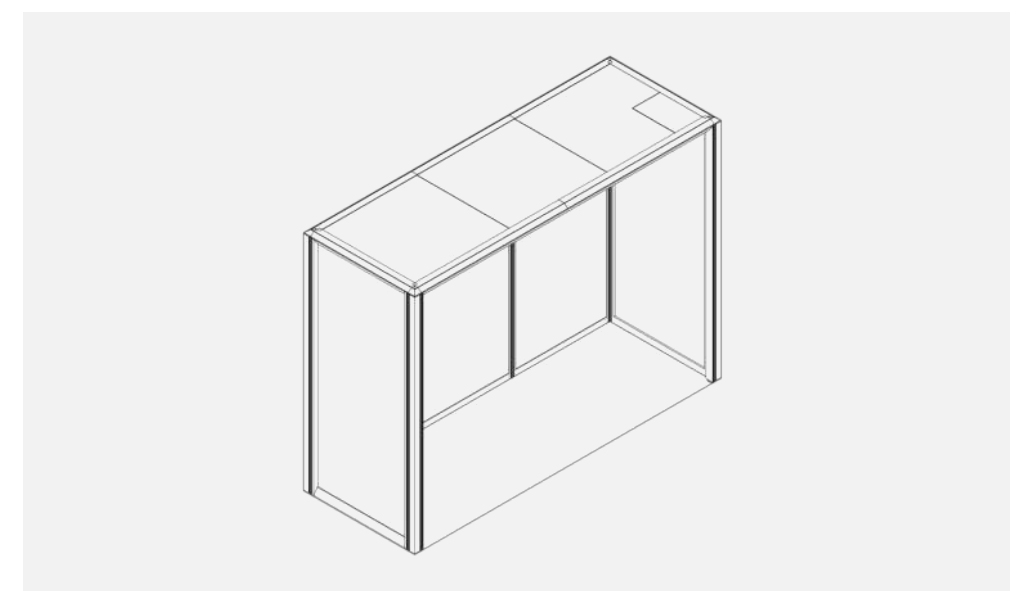
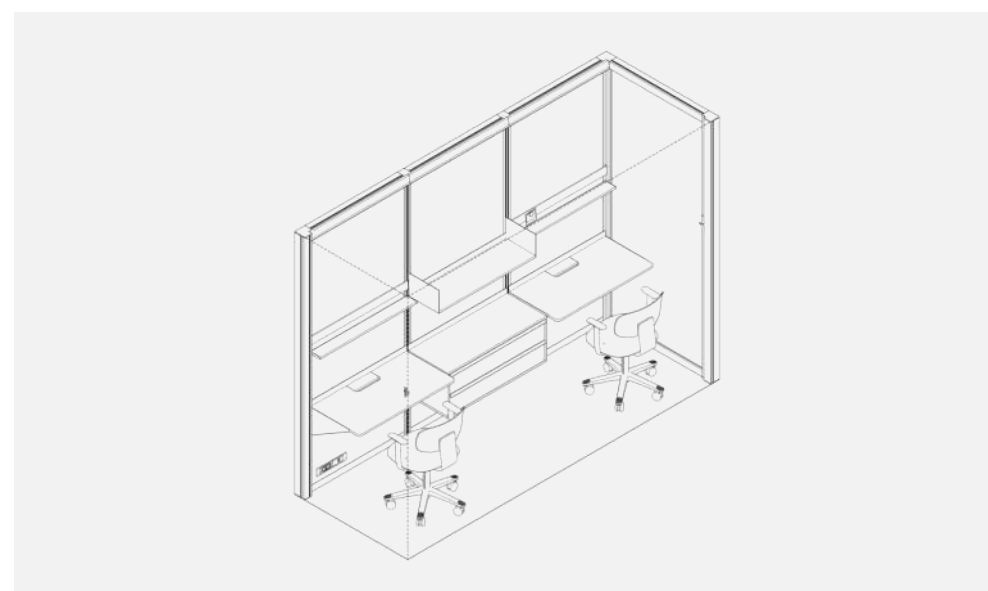
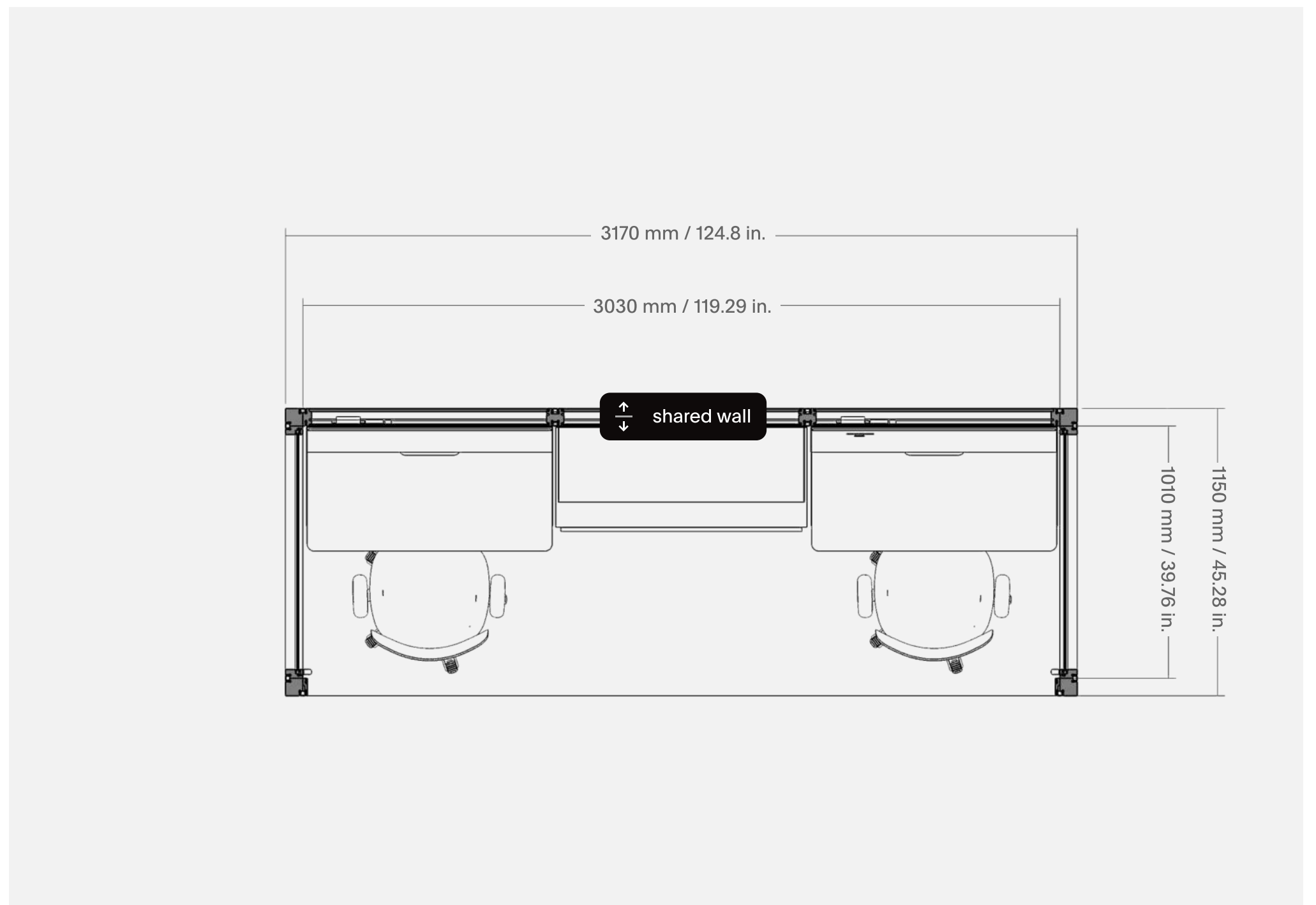
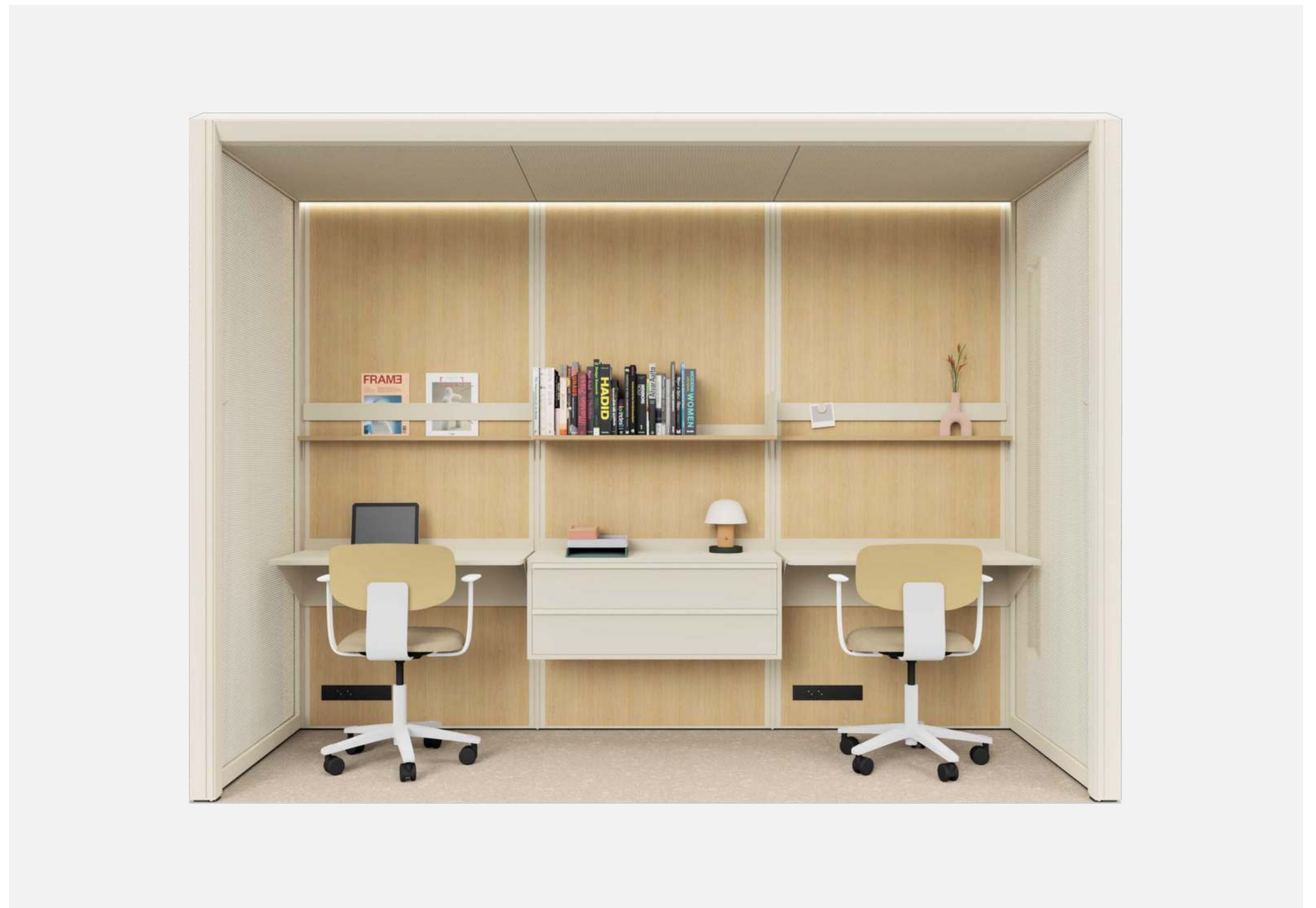
## System furniture and accessories

|    |                          |
|----|--------------------------|
| 2× | shallow shelf            |
| 1× | deep shelf with bookends |
| 1× | two-drawer cabinet       |
| 2× | desk                     |
| 2× | display rail             |
| 2× | magnet                   |
| 2× | wall hook                |

## Third party fit-out

Listed products are purely exemplary and are not sold by Mute.

|    |                    |
|----|--------------------|
| 2× | chair by Håg       |
| 1× | lamp by &Tradition |



Interested in this unit?

Ask for an offer →

Need more options?

See all rooms →

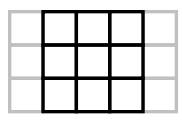


Room like the one specified in this card can be combined into multifunctional hubs.

Elements of the Modular system may change.

Specification of the product will be verified while preparing an offer and may also be modified on the client's request.





Room name

# Meet 3x3 p3.v1.C

Function  
MeetModular size  
3x3Capacity  
3 peopleRoom type  
Closed

## Dimensions (W x L x H)

|          |                             |
|----------|-----------------------------|
| Exterior | 3170 x 3170 x 2400 mm       |
|          | 124.80 x 124.80 x 94.49 in. |
| Interior | 3030 x 3030 x 2250 mm       |
|          | 119.29 x 119.29 x 88.58 in. |

## Description

This room for meetups provide space up to 3 people. It's equipped with dedicated furniture and accessories, finished with third-party fit-outs.

It is a part of Modular Meet set – places in plenty of sizes and capacities to host any gathering: team meet-ups, brainstorm, workshops, small talks, and more.

## Construction

|    |  |    |                         |
|----|--|----|-------------------------|
| 6x | solid wall module<br>1010 mm / 39.76 in. | 1x | control panel           |
|    |  | 2x | modular electric socket |
| 5x | glass wall module<br>1010 mm / 39.76 in. | 2x | occupancy sensor        |
|    |  | 6x | Flask track lighting    |
| 1x | left-hand glass door                     | ✓  | integrated linear lamp  |
| 5x | ceiling module                           |    |                         |
| 4x | ventilation ceiling module               |    |                         |

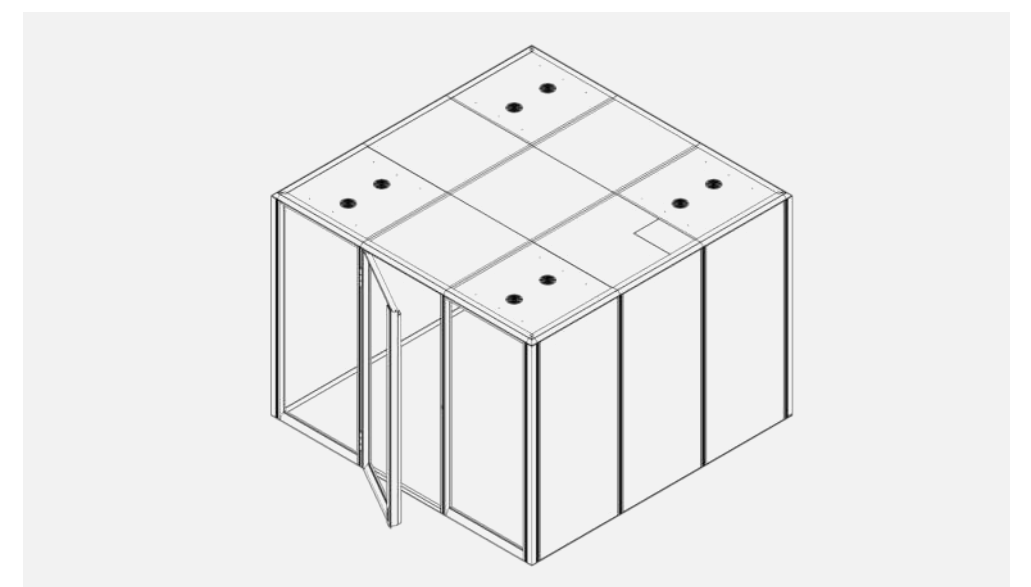
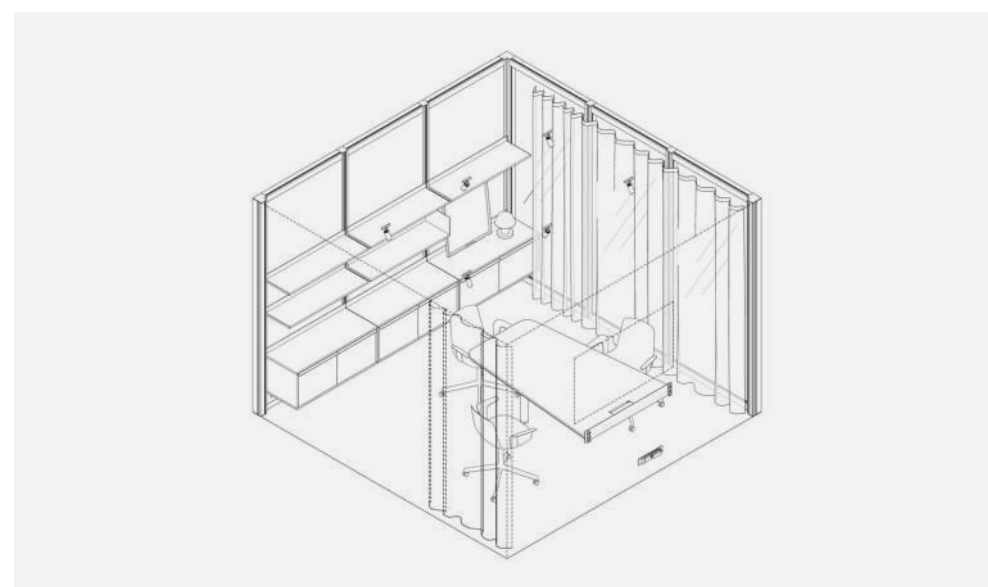
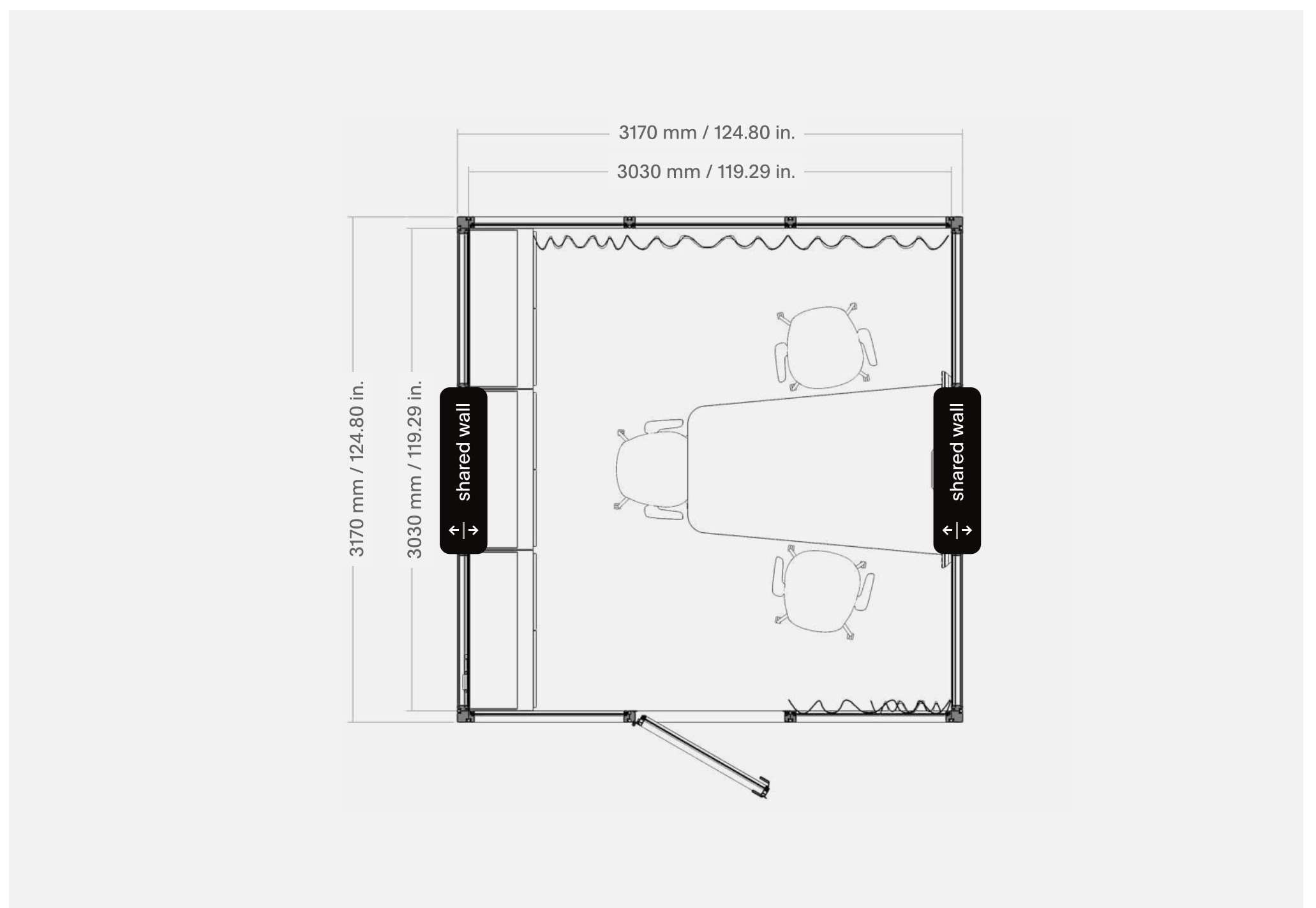
## System furniture and accessories

|    |                           |    |                          |
|----|---------------------------|----|--------------------------|
| ✓  | curtain rail              | 1x | low table for 3-5 people |
| ✓  | curtain                   | 1x | tv hanger                |
| 4x | deep shelf                | 2x | wall hook                |
| 1x | deep shelf, right bookend | 1x | display stand            |
| 3x | hinged door cabinet       |    |                          |

## Third party fit-out

Listed products are purely exemplary and are not sold by Mute.

|    |                    |
|----|--------------------|
| 3x | chair by Enea      |
| 1x | lamp by &Tradition |



Interested in this unit?

[Ask for an offer →](#)

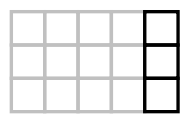
Need more options?

[See all rooms →](#)

Room like the one specified in this card can be combined into multifunctional hubs.

Elements of the Modular system may change.

Specification of the product will be verified while preparing an offer and may also be modified on the client's request.



Room name

# Lounge 3x1 p2.v1.0

Function  
Lounge

Modular size  
3x1

Capacity  
2 people

Room type  
Open

## Dimensions (W x L x H)

Exterior 3170 x 1150 x 2400 mm  
124.80 x 45.28 x 94.49 in.

Interior 3030 x 1010 x 2250 mm  
119.29 x 39.76 x 88.58 in.

## Description

This room for relaxing provide space up to 2 people. It's equipped with dedicated furniture and accessories, finished with third-party fit-outs.

It is a part of Modular Lounge set – cozy areas for less-formal meet-ups and every casual occasion. Perfect for a waiting lounge, chill-out area, or gaming room.

## Construction

Also available without electricity

|    |  |
|----|--|
| 3x | solid wall module 1010 mm / 39.76 in.            |
| 2x | perforated metal wall module 1010 mm / 39.76 in. |
| 3x | ceiling module                                   |
| 1x | modular electric socket                          |
| 1x | control panel                                    |
| ✓  | overhanging ceiling profile                      |
| ✓  | integrated linear lamp                           |

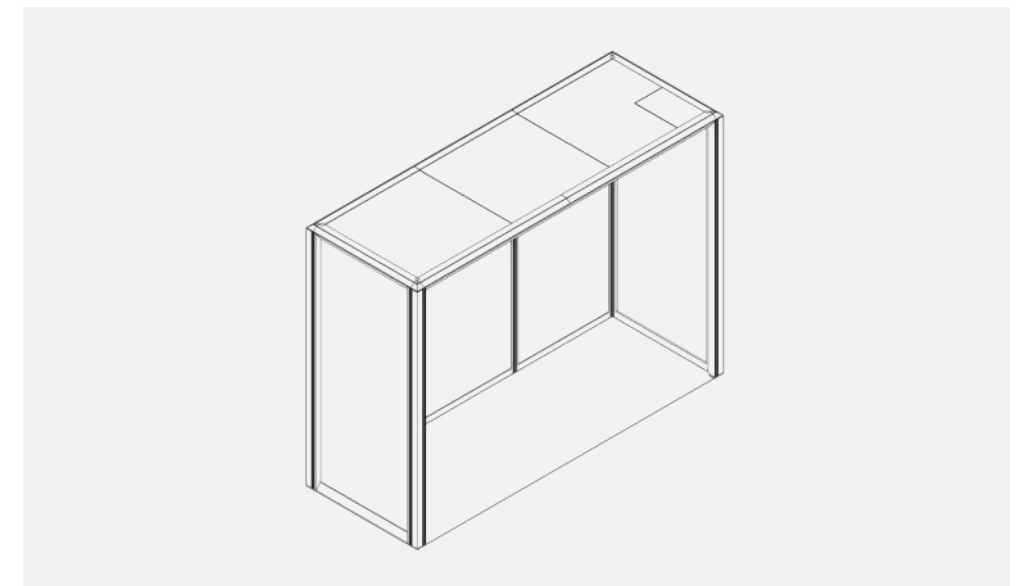
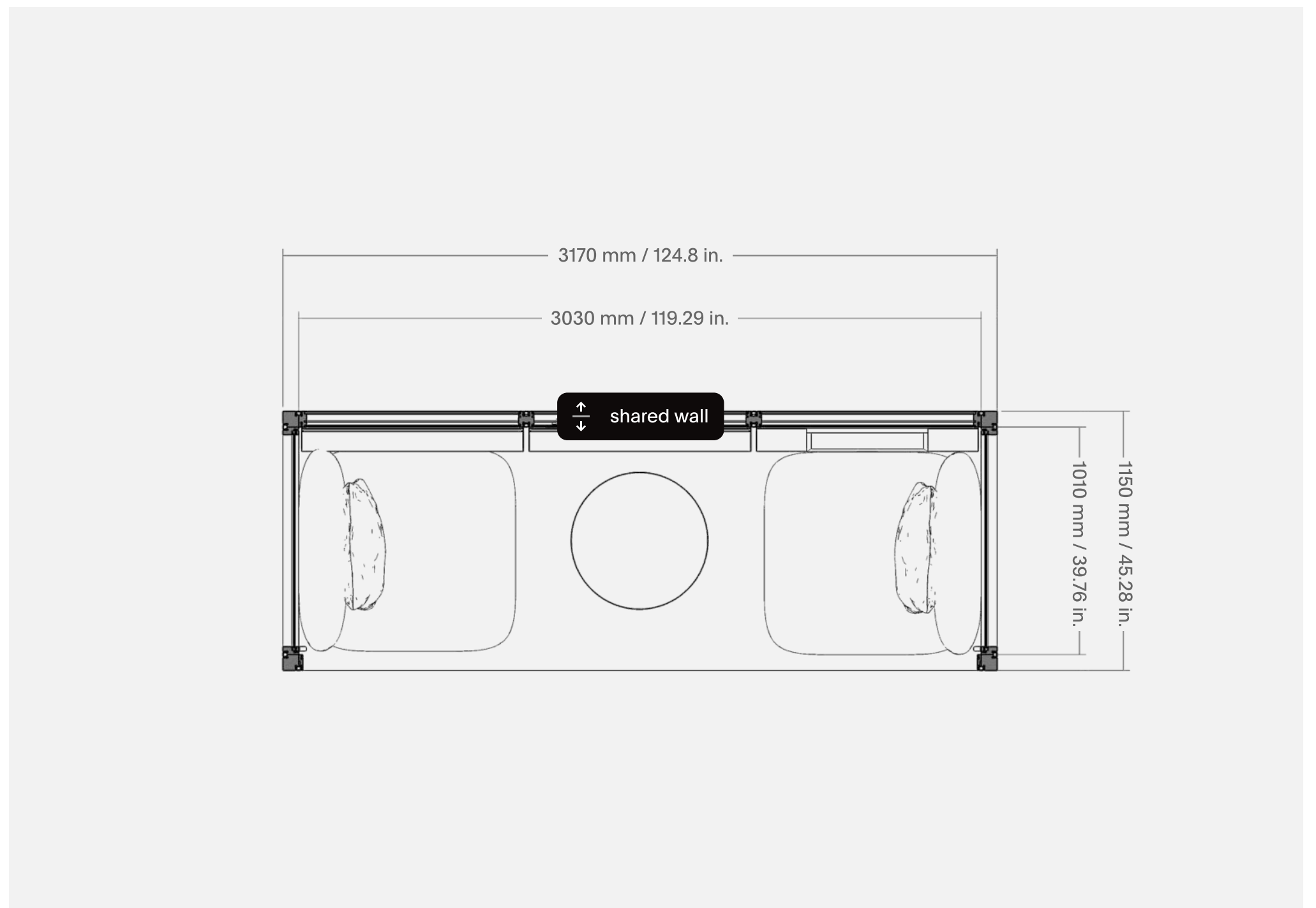
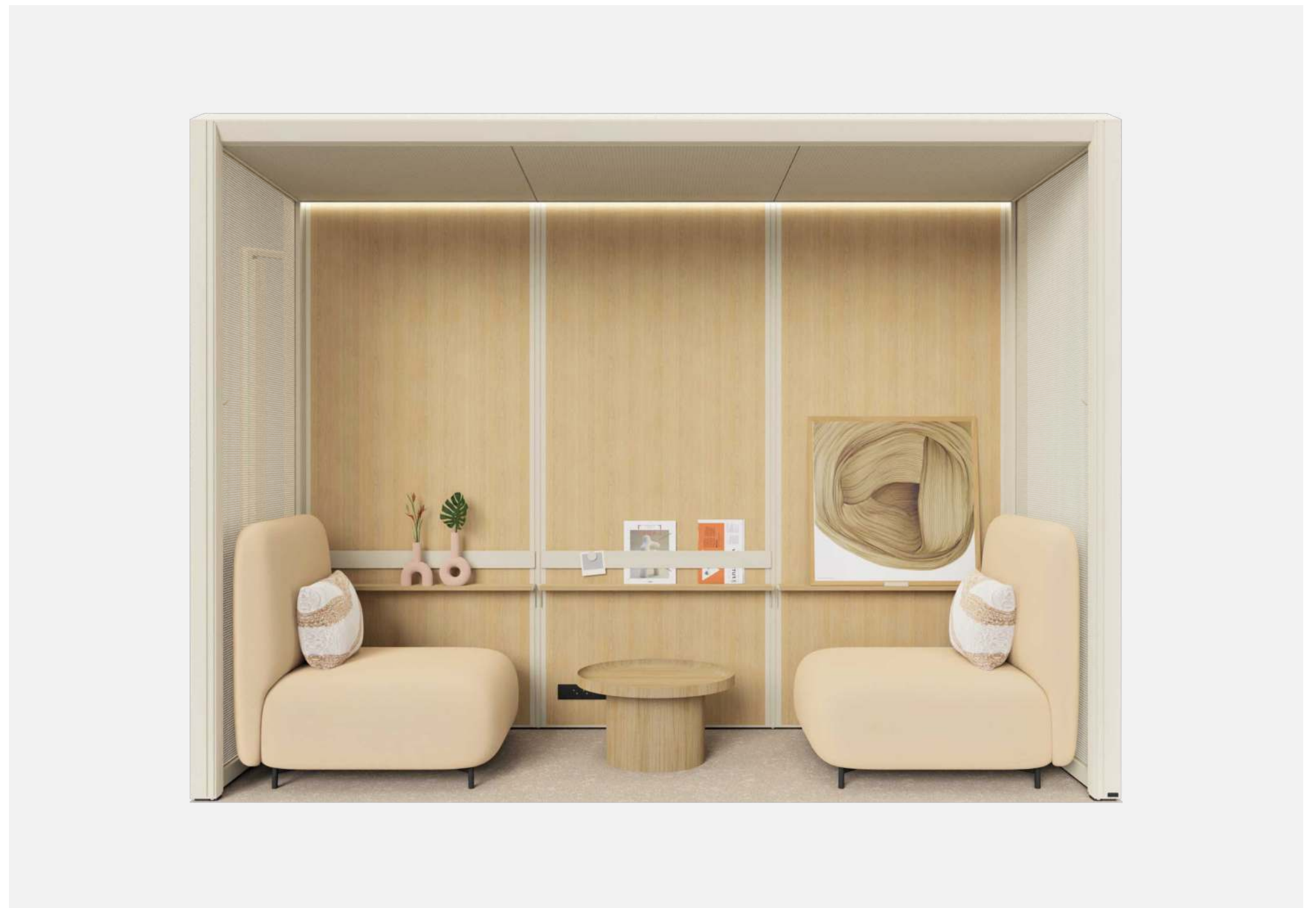
## System furniture and accessories

|    |               |
|----|---------------|
| 3x | shallow shelf |
| 2x | display rail  |
| 2x | magnet        |
| 2x | wall hook     |
| 1x | display stand |

## Third party fit-out

Listed products are purely exemplary and are not sold by Mute.

|    |                         |
|----|-------------------------|
| 2x | lounge chair by Pedrali |
| 1x | coffee table by Bolia   |



Interested in this unit?

[Ask for an offer →](#)

Need more options?

[See all rooms →](#)



Room like the one specified in this card can be combined into multifunctional hubs.

Elements of the Modular system may change.

Specification of the product will be verified while preparing an offer and may also be modified on the client's request.

MUTE.

# Modular

The adaptable room-in-room system

|                          |   |                                |                                  |                                    |
|--------------------------|---|--------------------------------|----------------------------------|------------------------------------|
| Hub name<br><b>Hub 4</b> | Functions<br><b>Lounge + Work + Support</b> | Hub modular size<br><b>5x3</b> | Hub capacity<br><b>2 + 4 + x</b> | Hub room types<br><b>O + O + O</b> |
|--------------------------|---|--------------------------------|----------------------------------|------------------------------------|

**Dimensions (W x L x H)**

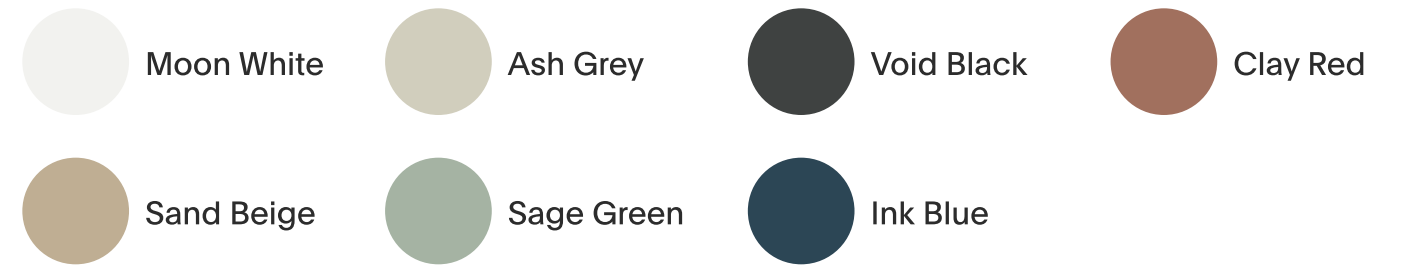
Exterior 5330 x 3170 x 2400 mm / 209.84 x 124.8 x 94.49 in.

**Description**

The system offers unmatched level of modularity. You can arrange individual rooms or combine them into cross-functional hubs to build the perfect, flexible office that provide space and complexity.

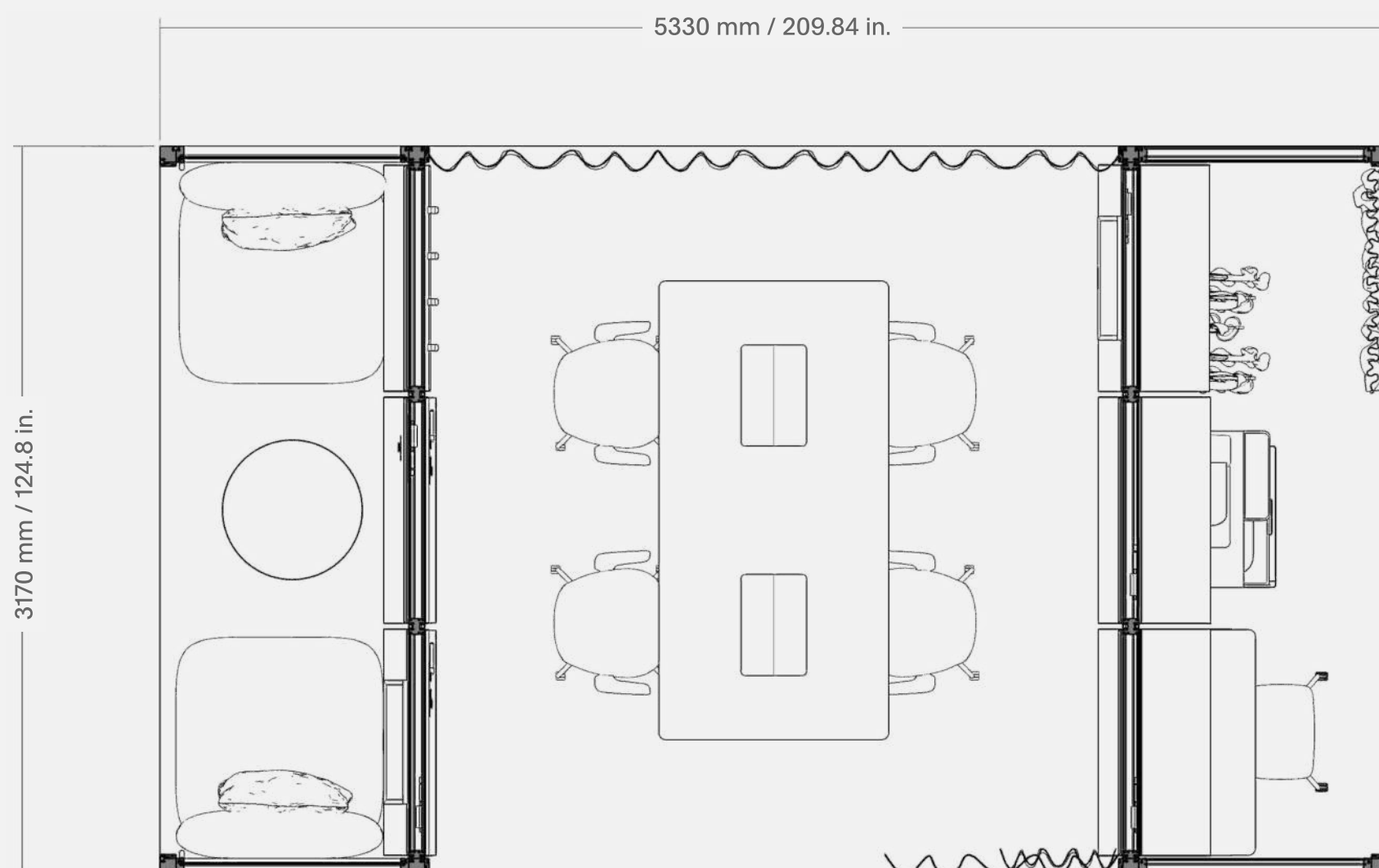
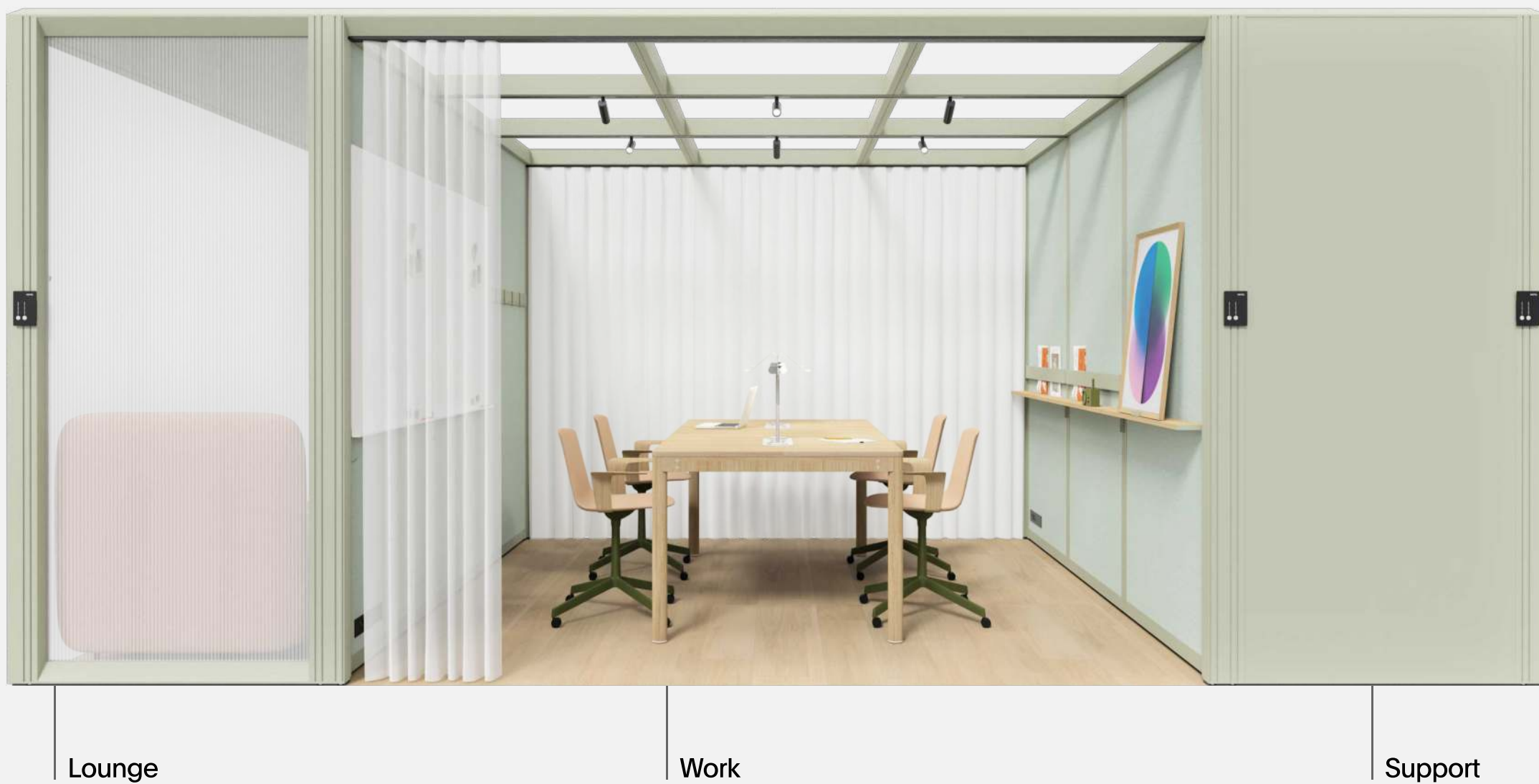
**Colors**

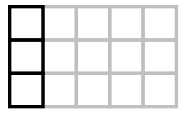
This hub is available in 7 colors.



See single rooms of this hub on next pages

This visualization contains 3rd party products which are purely exemplary and are not sold by Mute.





Hub 4 / Room 1 of 3

Room name

# Lounge 3x1 p2.v1.0

Function  
Lounge

Modular size  
3x1

Capacity  
2 people

Room type  
Open

## Dimensions (W x L x H)

Exterior 3170 x 1150 x 2400 mm  
124.80 x 45.28 x 94.49 in.  
Interior 3030 x 1010 x 2250 mm  
119.29 x 39.76 x 88.58 in.

## Description

This room for relaxing provide space up to 2 people. It's equipped with dedicated furniture and accessories, finished with third-party fit-outs.

It is a part of Modular Lounge set – cozy areas for less-formal meet-ups and every casual occasion. Perfect for a waiting lounge, chill-out area, or gaming room.

## Construction

Also available without electricity

|    |  |
|----|--|
| 3x | solid wall module 1010 mm / 39.76 in.        |
| 2x | fluted glass wall module 1010 mm / 39.76 in. |
| 3x | ceiling module                               |
| 1x | modular electric socket                      |
| 1x | control panel                                |
| ✓  | overhanging ceiling profile                  |
| ✓  | integrated linear lamp                       |

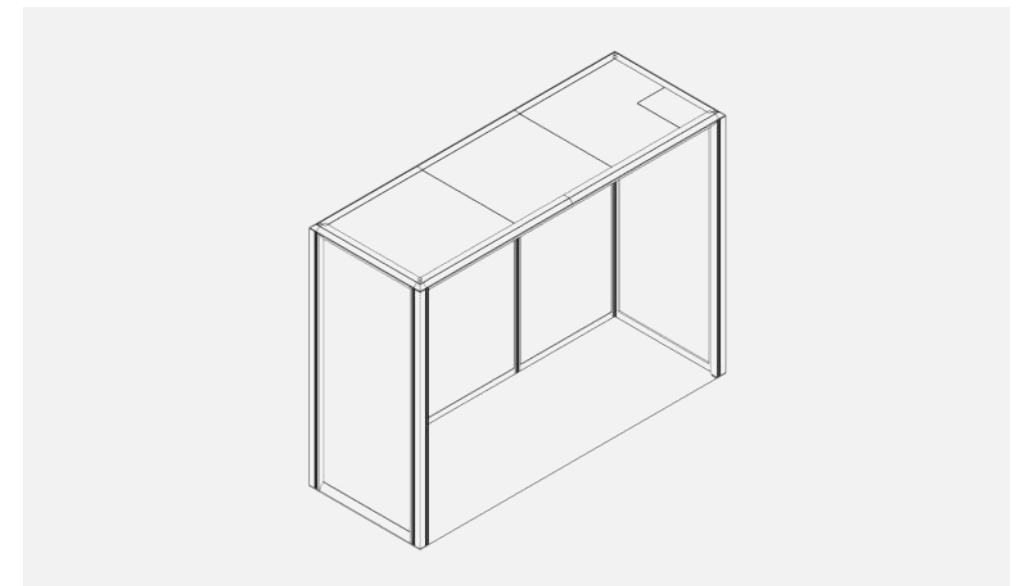
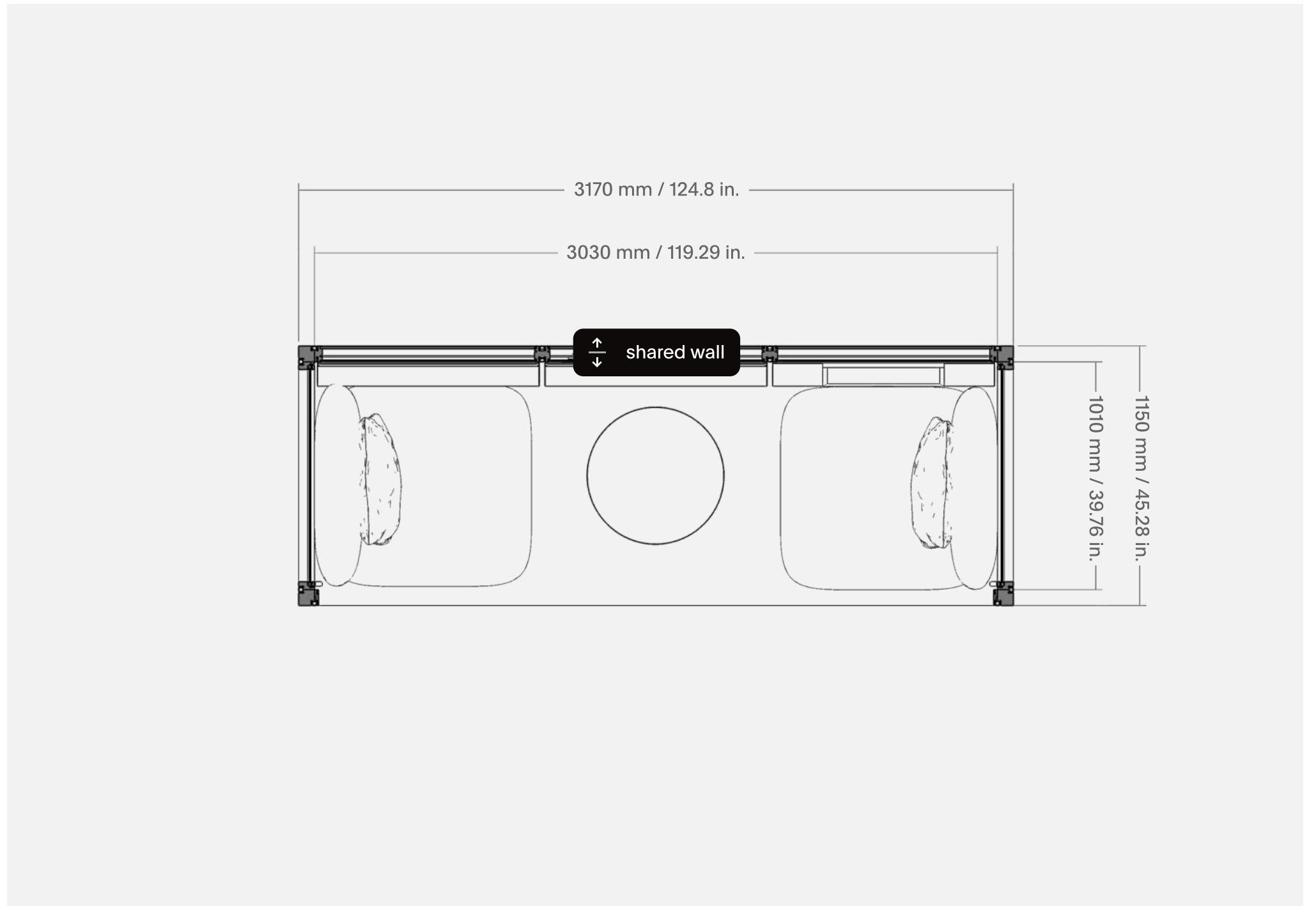
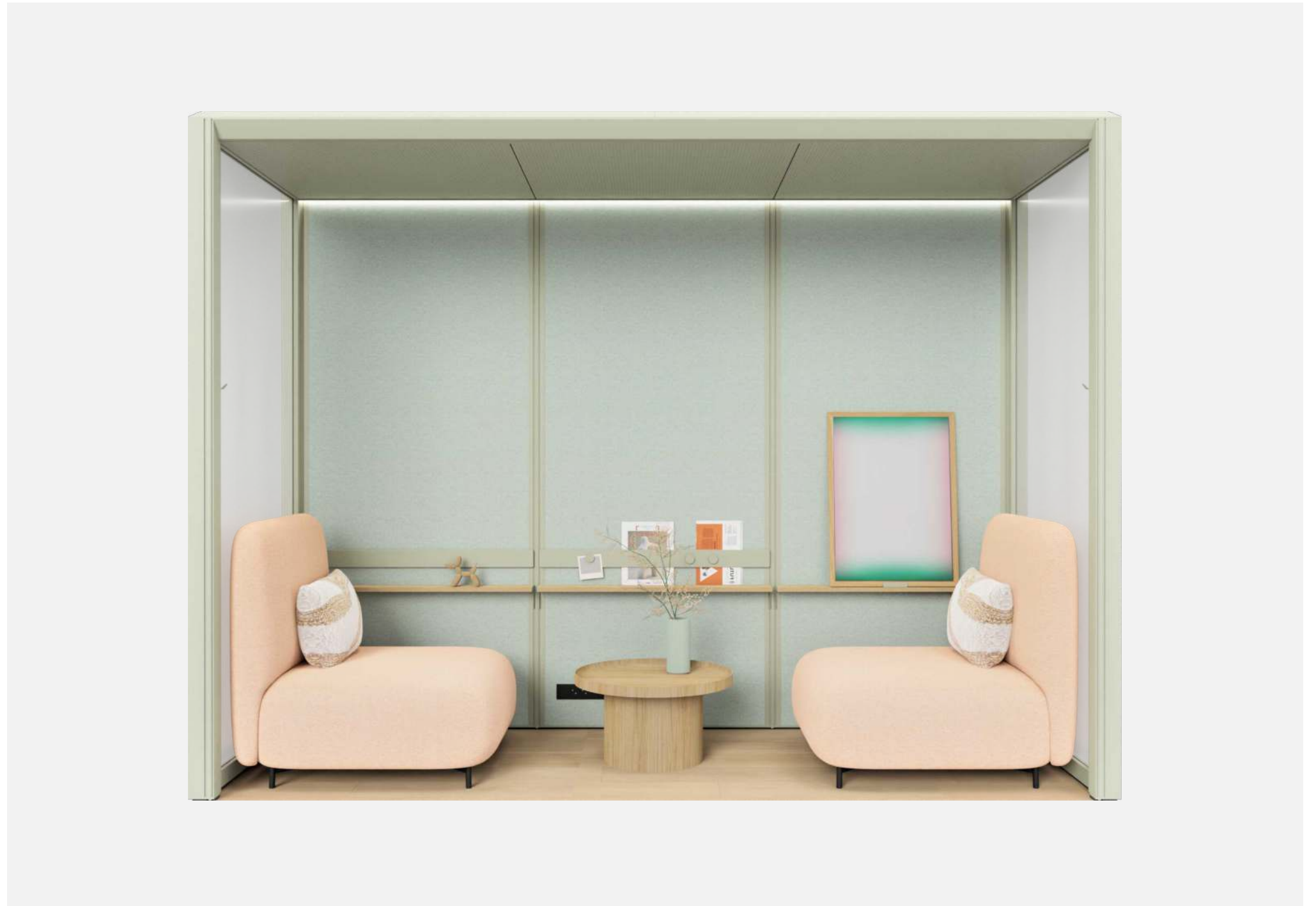
## System furniture and accessories

|    |               |
|----|---------------|
| 3x | shallow shelf |
| 2x | display rail  |
| 2x | magnet        |
| 2x | wall hook     |
| 1x | display stand |

## Third party fit-out

Listed products are purely exemplary and are not sold by Mute.

|    |                         |
|----|-------------------------|
| 2x | lounge chair by Pedrali |
| 1x | coffee table by Bolia   |



Interested in this unit?

[Ask for an offer →](#)

Need more options?

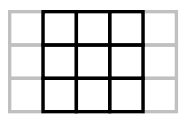
[See all rooms →](#)



Room like the one specified in this card can be combined into multifunctional hubs.

Elements of the Modular system may change.

Specification of the product will be verified while preparing an offer and may also be modified on the client's request.



Hub 4 / Room 2 of 3

Room name

# Work 3x3 p4.v2.0

Function  
Work

Modular size  
3x3

Capacity  
4 people

Room type  
Open

## Dimensions (W x L x H)

Exterior 3170 x 3170 x 2400 mm  
124.80 x 124.80 x 94.49 in.

Interior 3030 x 3030 x 2250 mm  
119.29 x 119.29 x 88.58 in.

## Description

This room for collaborative work provide space and calm for four people. It's equipped with dedicated furniture and accessories, finished with third-party fit-outs.

It is a part of Modular Work set – areas designed purposefully to offer comfort and privacy for the individual, focused work, or small collaborative sessions.

## Construction

Also available without electricity

|    |                                       |
|----|---------------------------------------|
| 6x | solid wall module 1010 mm / 39.76 in. |
| 2x | modular electric socket               |
| 1x | control panel                         |
| 6x | Flask track lighting                  |
| √  | overhanging ceiling profile           |

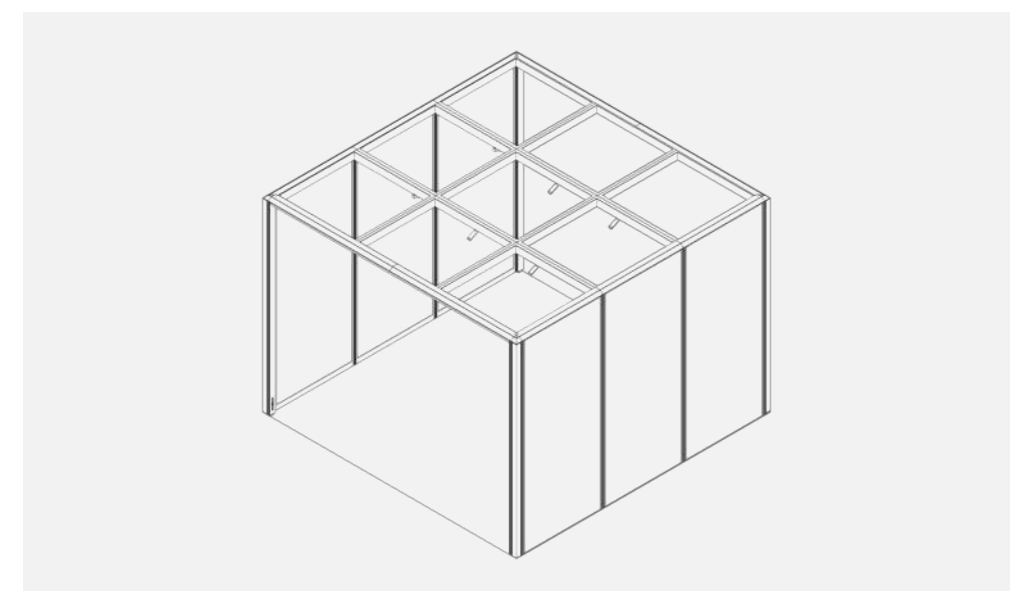
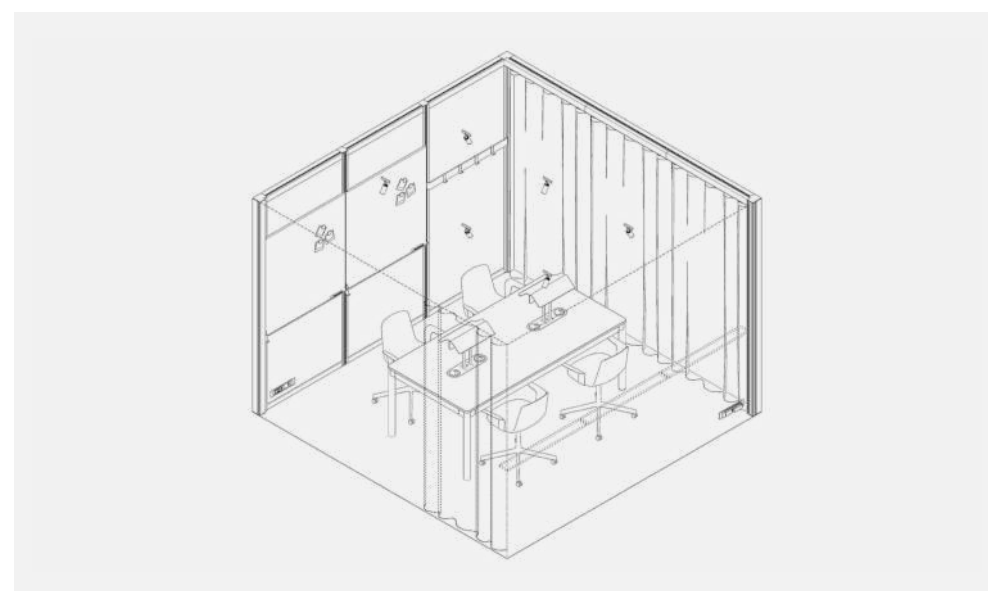
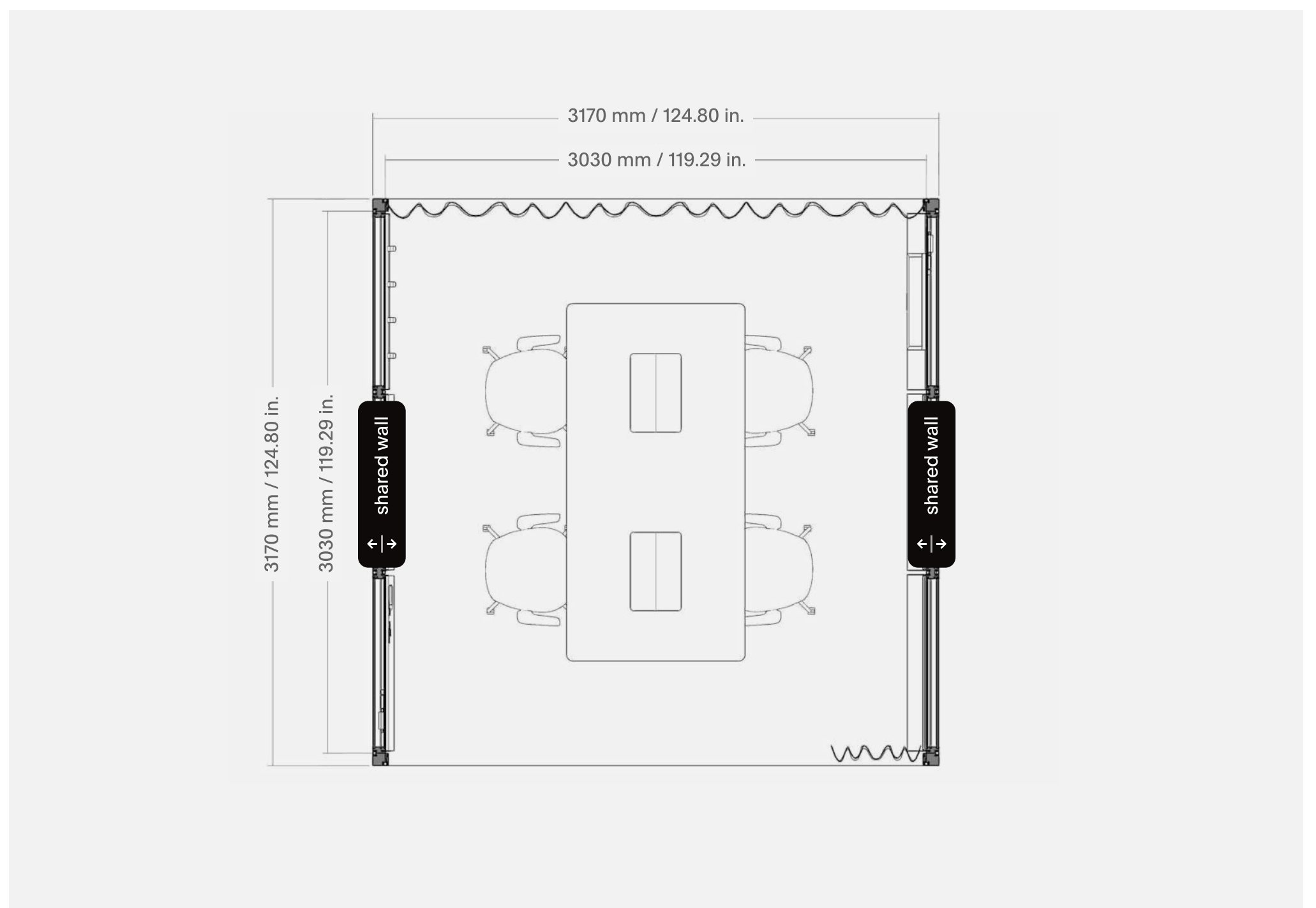
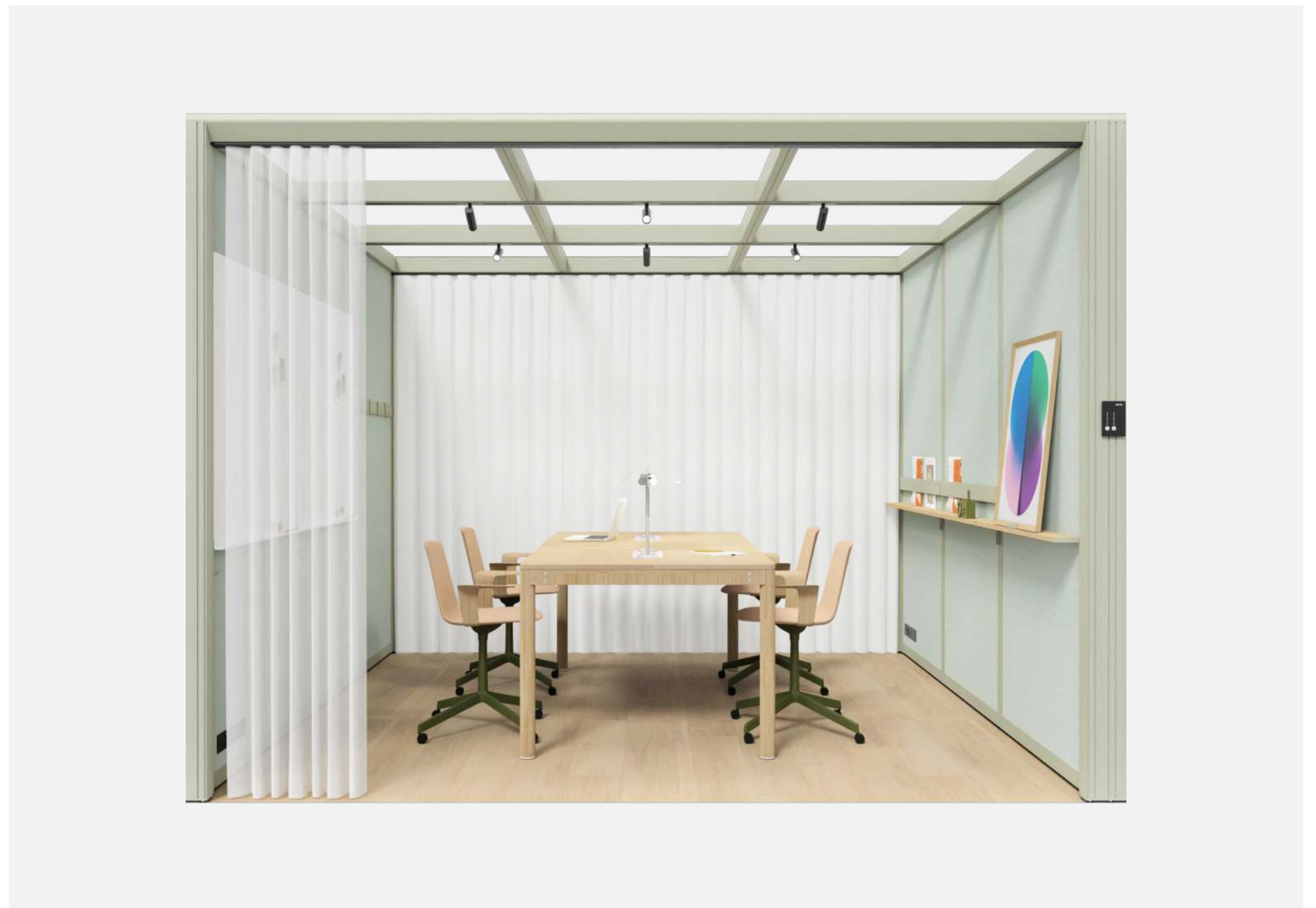
## System furniture and accessories

|    |                   |
|----|-------------------|
| √  | curtain rail      |
| √  | curtain           |
| 3x | shallow shelf     |
| 2x | whiteboard        |
| 3x | display rail      |
| 4x | display rail hook |
| 8x | magnet            |
| 2x | wall hook         |

## Third party fit-out

Listed products are purely exemplary and are not sold by Mute.

|    |                                    |
|----|------------------------------------|
| 1x | table by Very Good & Proper Design |
| 4x | chair with castors by Enea         |



Interested in this unit?

[Ask for an offer →](#)

Need more options?

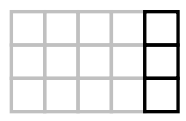
[See all rooms →](#)



Room like the one specified in this card can be combined into multifunctional hubs.

Elements of the Modular system may change.

Specification of the product will be verified while preparing an offer and may also be modified on the client's request.



Room name

# Support 3x1 v1.0

Function  
SupportModular size  
3x1Capacity  
-Room type  
Open

## Dimensions (W × L × H)

|          |                            |
|----------|----------------------------|
| Exterior | 3170 × 1150 × 2400 mm      |
|          | 124.80 × 45.28 × 94.49 in. |
| Interior | 3030 × 1010 × 2250 mm.     |
|          | 119.29 × 39.76 × 88.58 in. |

## Description

This room for facilitating office work provide space with optional seating desk for one person. It's equipped with dedicated furniture and accessories, finished with third-party fit-outs.

It is a part of Modular Support, set – multi-functional areas created for back-office functions such as storage, cloakroom, coffee corner, or copy point.

## Construction

Also available without electricity

|    |                                       |
|----|---------------------------------------|
| 5x | solid wall module 1010 mm / 39.76 in. |
| 3x | ceiling module                        |
| 2x | modular electric socket               |
| 1x | control panel                         |
| ✓  | integrated linear lamp                |
| ✓  | overhanging ceiling profile           |

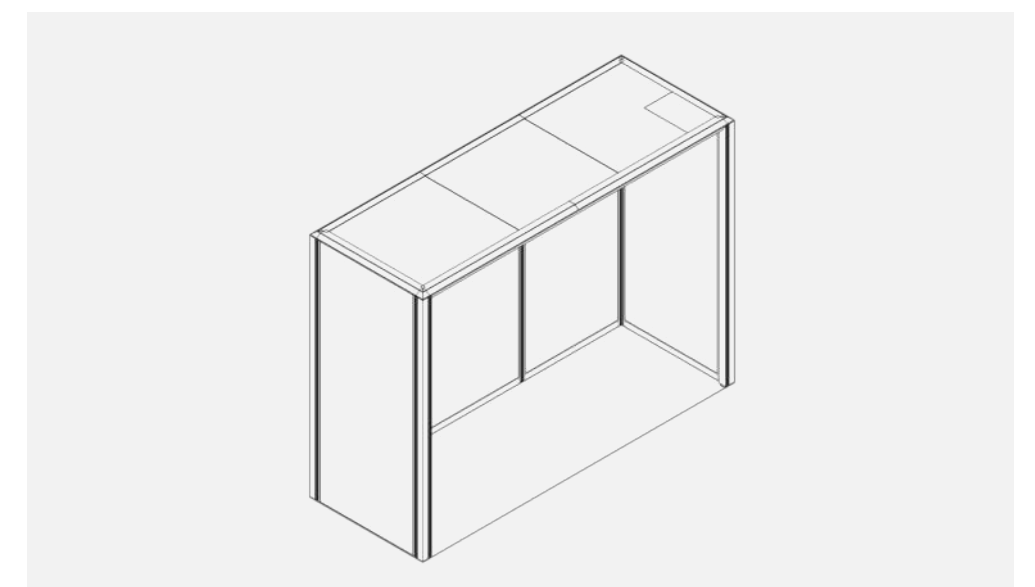
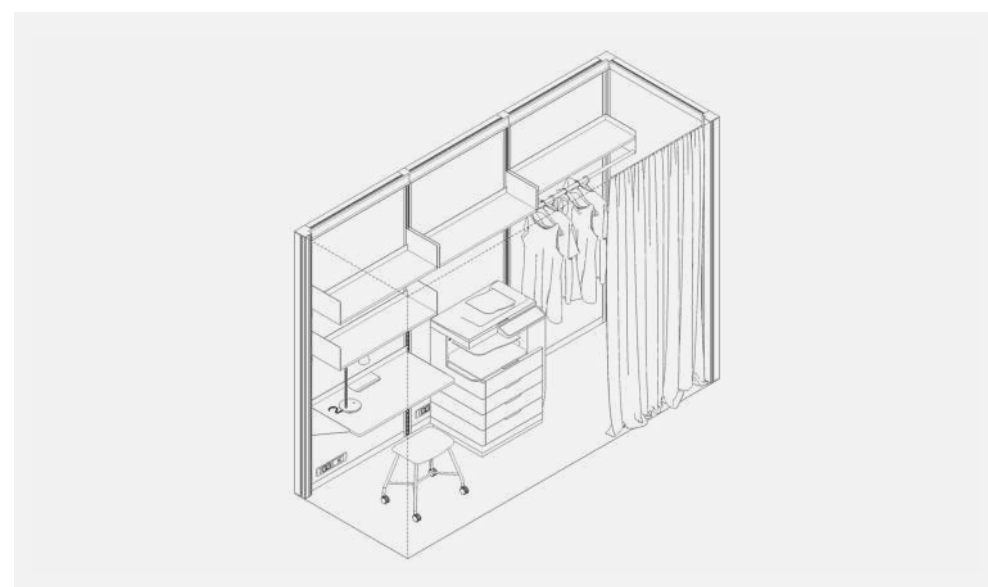
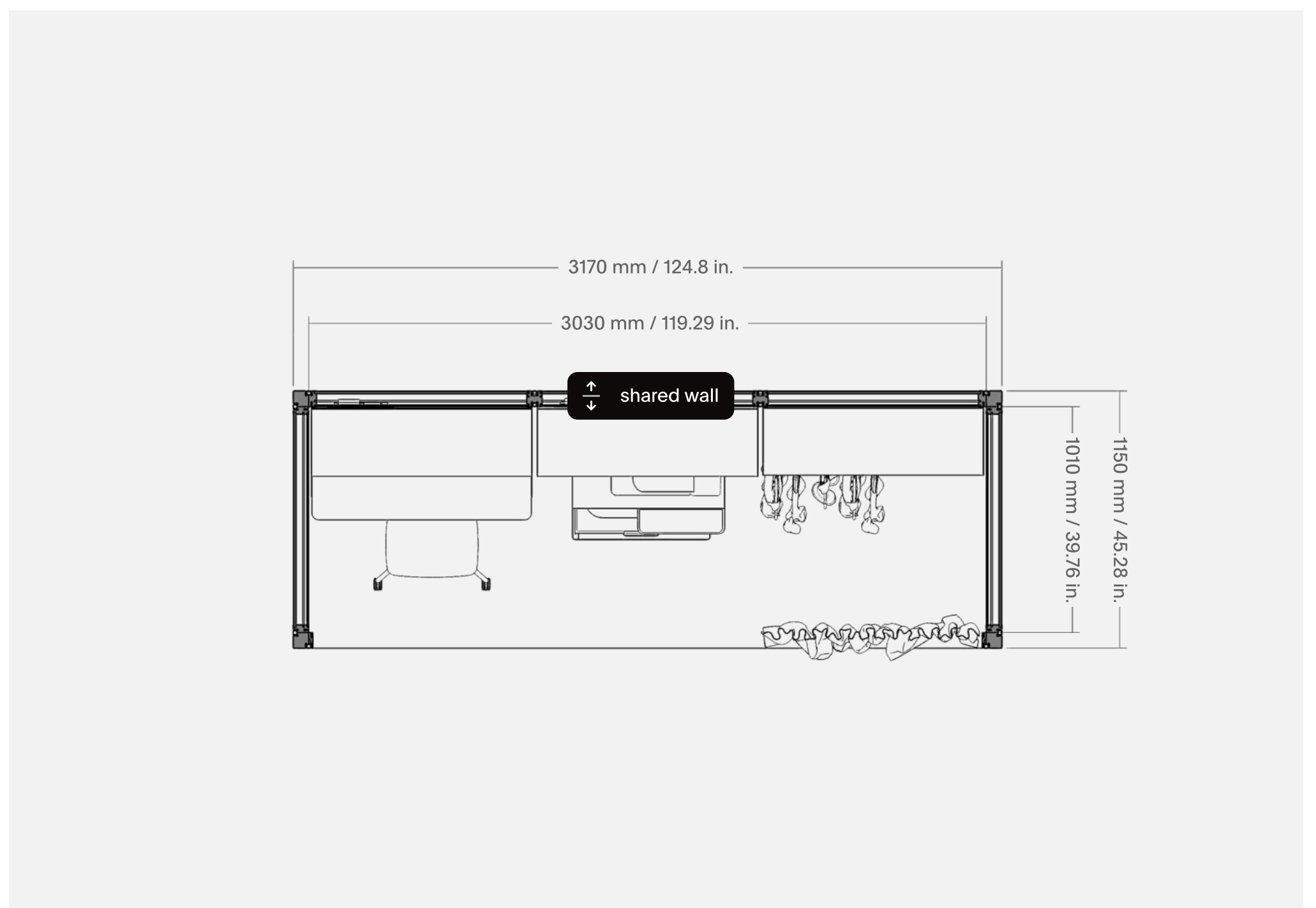
## System furniture and accessories

|    |                          |
|----|--------------------------|
| ✓  | curtain rail             |
| ✓  | curtain                  |
| 1x | desk                     |
| 3x | deep shelf with bookends |
| 1x | deep shelf with rail     |
| 2x | magnet                   |
| 2x | wall hook                |

## Third party fit-out

Listed products are purely exemplary and are not sold by Mute.

|    |                               |
|----|-------------------------------|
| 1x | stool with castors by Materia |
|----|-------------------------------|



Interested in this unit?

Ask for an offer →

Need more options?

See all rooms →



Room like the one specified in this card can be combined into multifunctional hubs.

Elements of the Modular system may change.

Specification of the product will be verified while preparing an offer and may also be modified on the client's request.

# MUTE. Modular

The adaptable room-in-room system

|                          |   |                                |                                  |                                    |
|--------------------------|---|--------------------------------|----------------------------------|------------------------------------|
| Hub name<br><b>Hub 5</b> | Functions<br><b>Meet + Lounge + Support</b> | Hub modular size<br><b>5×3</b> | Hub capacity<br><b>3 + 4 + x</b> | Hub room types<br><b>O + O + O</b> |
|--------------------------|---|--------------------------------|----------------------------------|------------------------------------|

## Dimensions (W × L × H)

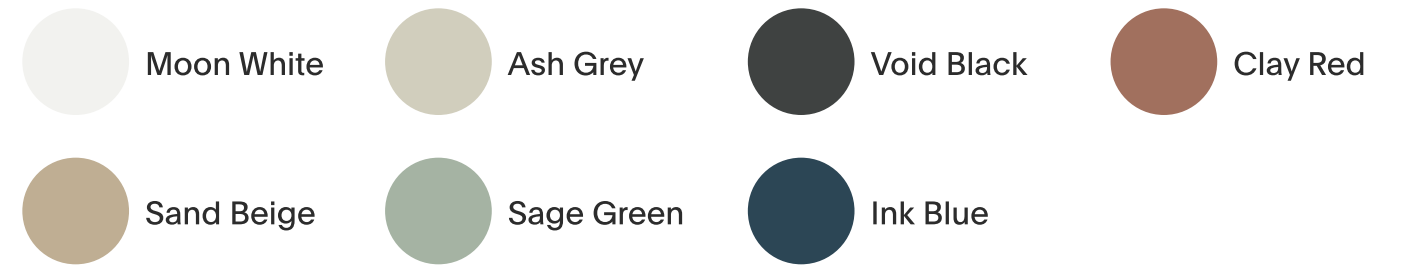
Exterior 5340 × 3170 × 2400 mm / 210.24 × 124.8 × 94.49 in.

## Description

The system offers unmatched level of modularity. You can arrange individual rooms or combine them into cross-functional hubs to build the perfect, flexible office that provide space and complexity.

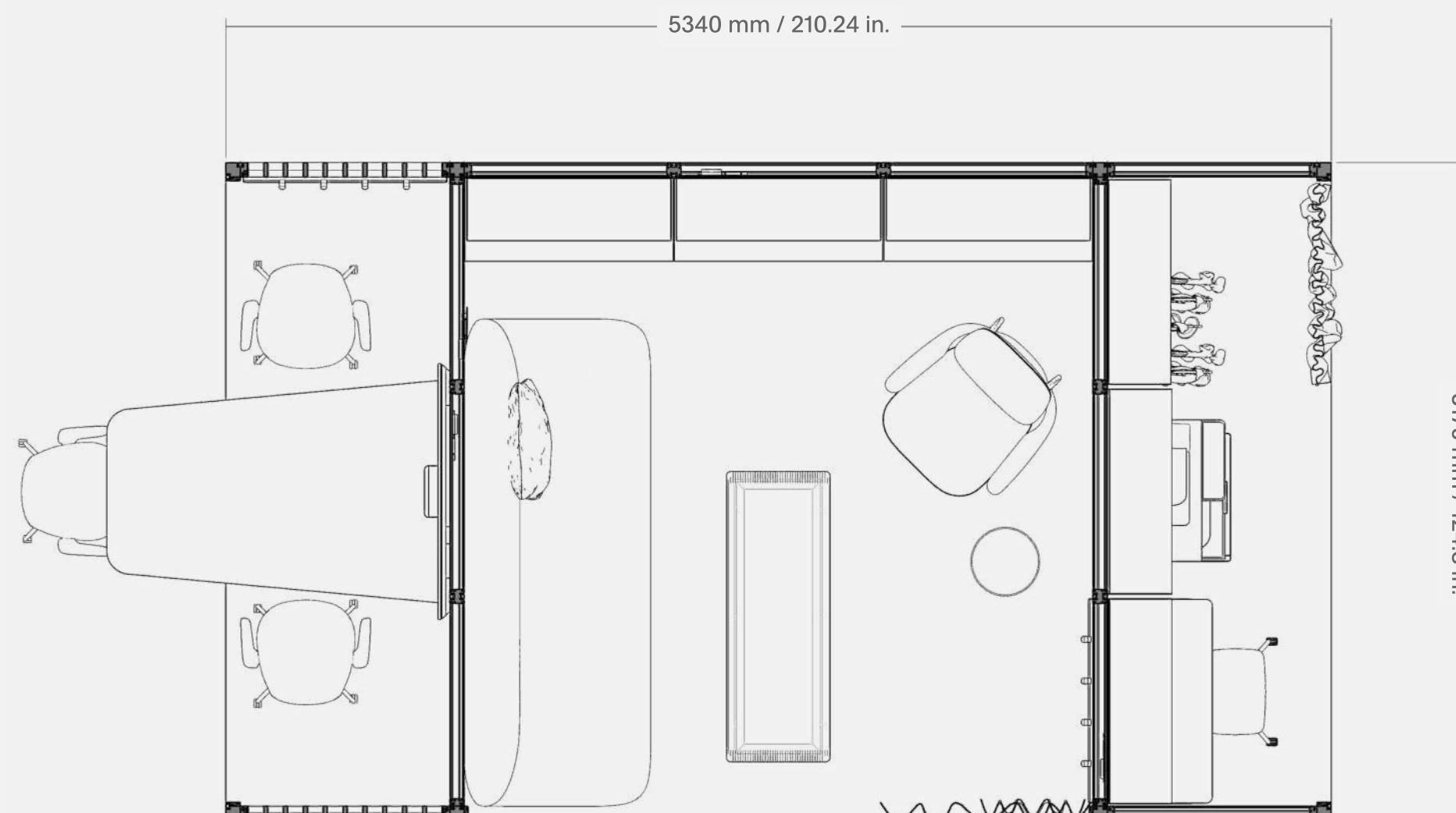
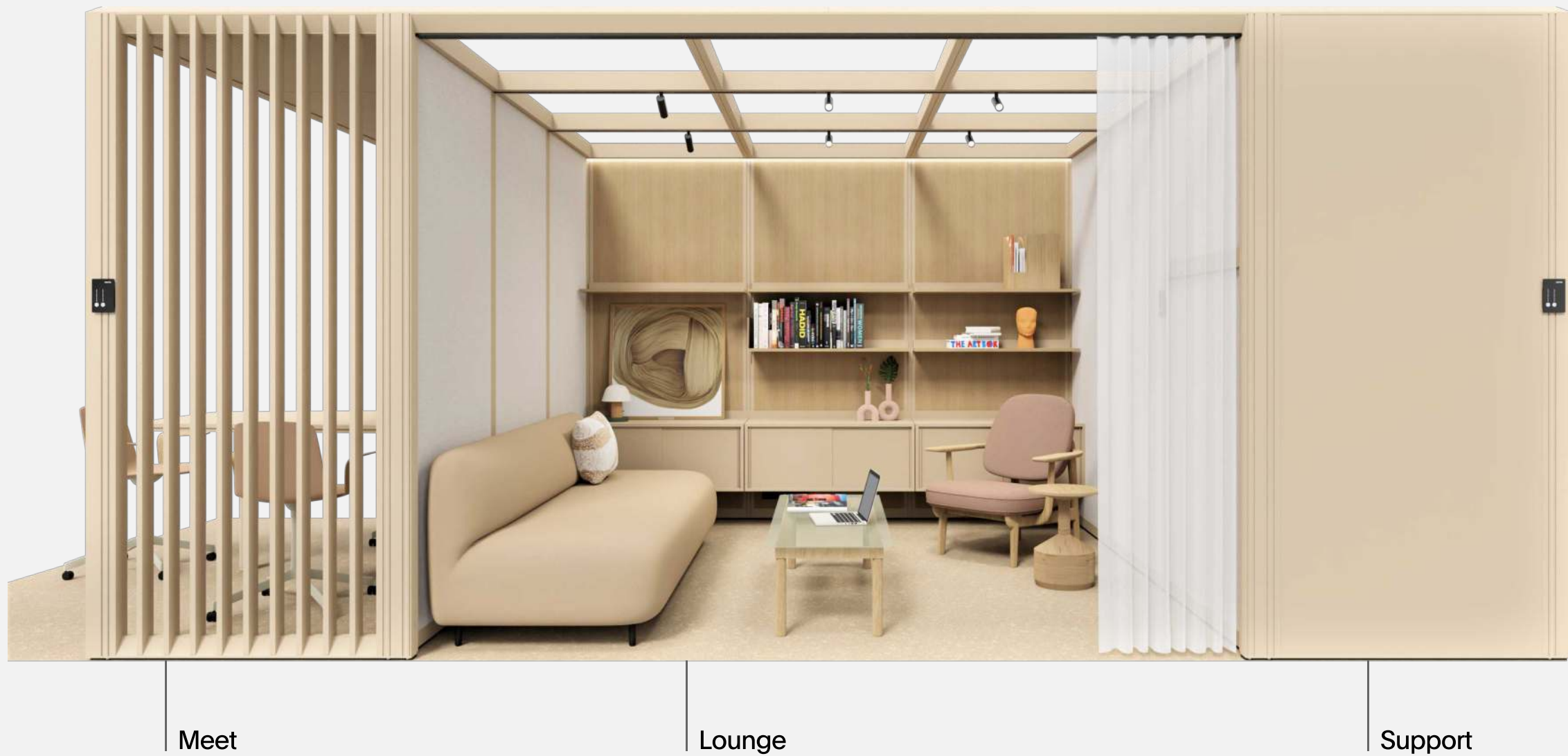
## Colors

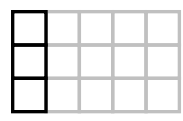
This hub is available in 7 colors.



See single rooms of this hub on next pages

This visualization contains 3rd party products which are purely exemplary and are not sold by Mute.





Hub 5 / Room 1 of 3

Room name

# Meet 3x1 p3.v1.O

Function  
Meet

Modular size  
3x1

Capacity  
3 people

Room type  
Open

## Dimensions (W x L x H)

Exterior 3170 x 1150 x 2400 mm  
124.80 x 45.28 x 94.49 in.

Interior 3030 x 1010 x 2250 mm  
119.29 x 39.76 x 88.58 in.

## Description

This room for meetups provide space up to 3 people. It's equipped with dedicated furniture and accessories, finished with third-party fit-outs.

It is a part of Modular Meet set – places in plenty of sizes and capacities to host any gathering: team meet-ups, brainstorm, workshops, small talks, and more.

## Construction

Also available without electricity

|    |   |
|----|---|
| 3x | solid wall module 1010 mm / 39.76 in.   |
| 2x | slatted wall module 1010 mm / 39.76 in. |
| 3x | ceiling module                          |
| 2x | modular electric socket                 |
| 1x | control panel                           |
| ✓  | integrated linear lamp                  |
| ✓  | overhanging ceiling profile             |

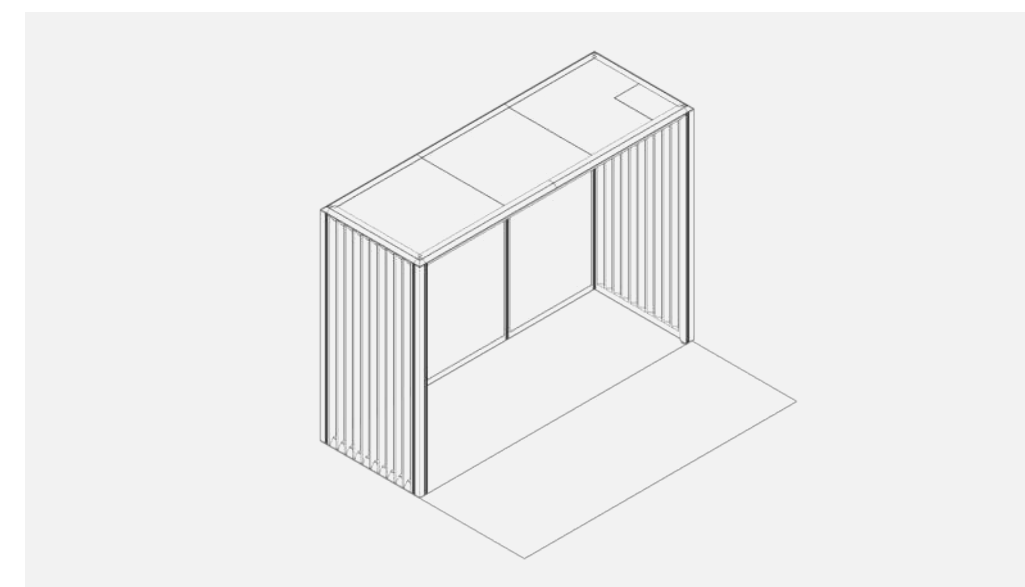
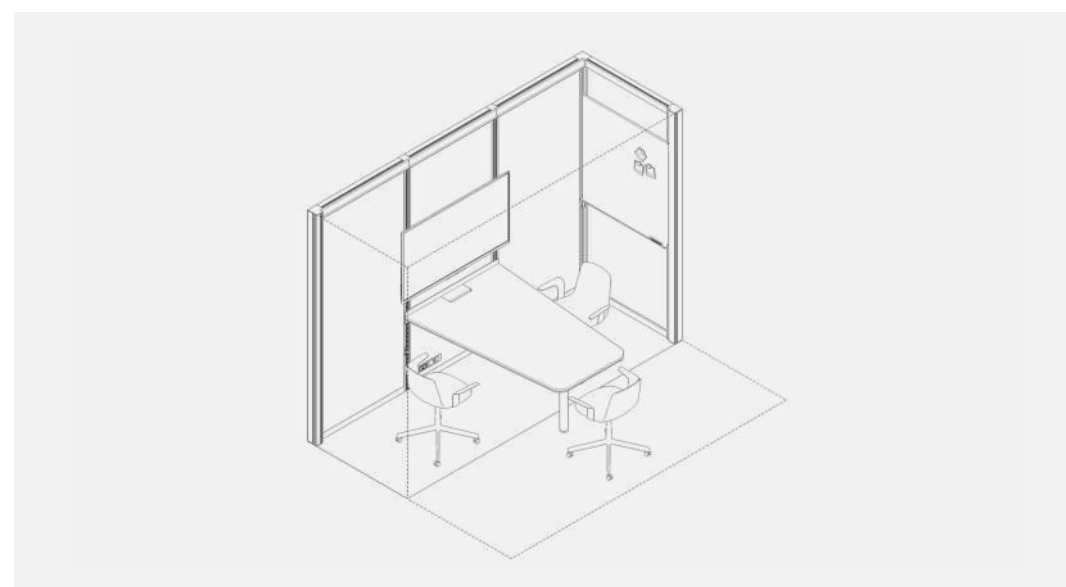
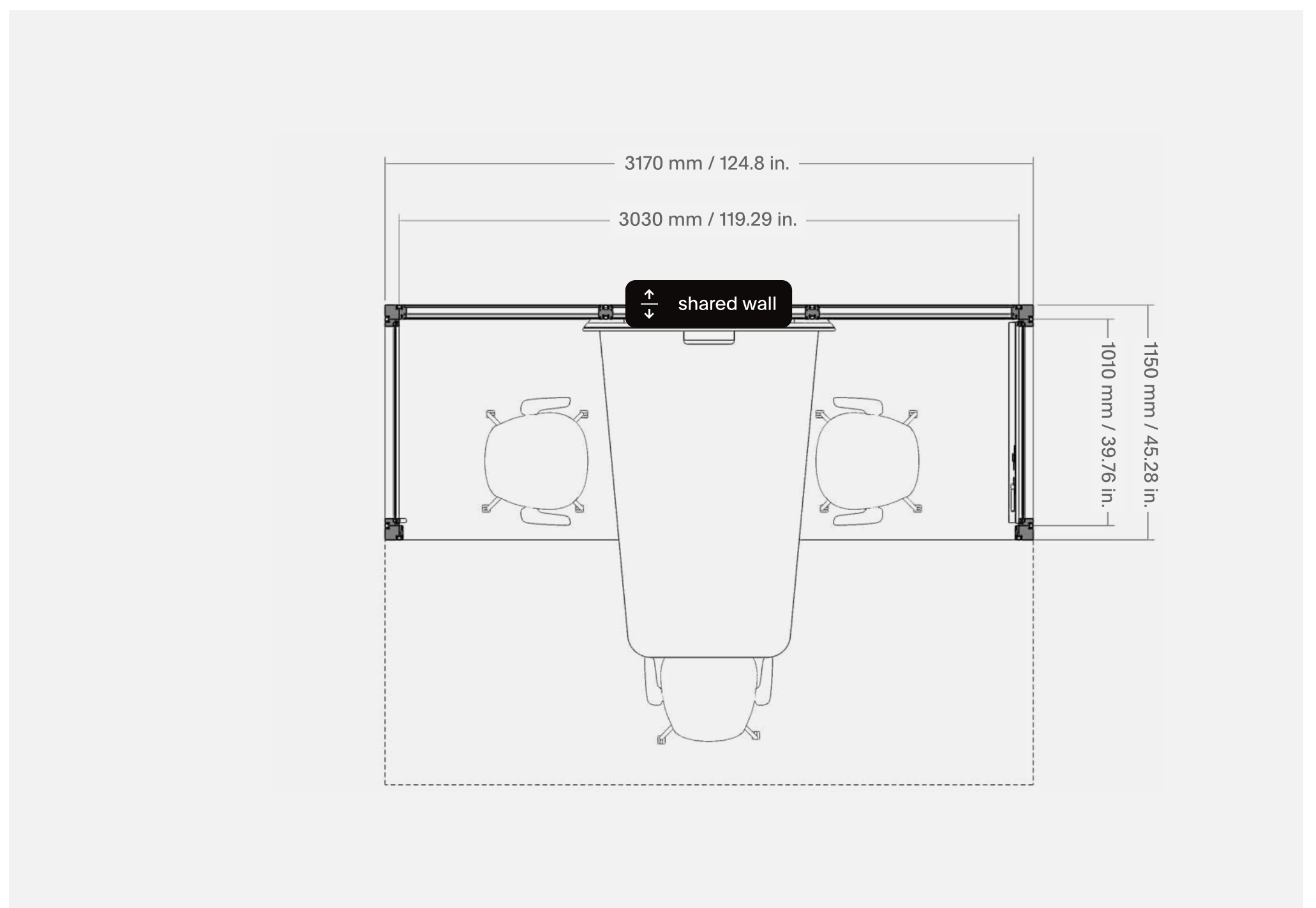
## System furniture and accessories

|    |                          |
|----|--------------------------|
| 1x | low table for 3-5 people |
| 1x | TV hanger                |
| 2x | wall hook                |
| 1x | whiteboard               |
| 4x | magnet                   |

## Third party fit-out

Listed products are purely exemplary and are not sold by Mute.

|    |                            |
|----|----------------------------|
| 3x | chair with castors by Enea |
|----|----------------------------|



Interested in this unit?

[Ask for an offer →](#)

Need more options?

[See all rooms →](#)

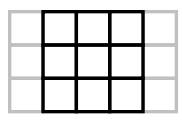


Room like the one specified in this card can be combined into multifunctional hubs.

Elements of the Modular system may change.

Specification of the product will be verified while preparing an offer and may also be modified on the client's request.





Room name

# Lounge 3×3 p4.v2.0

Function  
LoungeModular size  
3×3Capacity  
4 peopleRoom type  
Open**Dimensions (W × L × H)**Exterior 3170 × 3170 × 2400 mm  
124.80 × 124.80 × 94.49 in.Interior 3030 × 3030 × 2250 mm  
119.29 × 119.29 × 88.58 in.**Description**

This room for relaxing provide space up to 5 people. It's equipped with dedicated furniture and accessories, finished with third-party fit-outs.

It is a part of Modular Lounge set – cozy areas for less-formal meet-ups and every casual occasion. Perfect for a waiting lounge, chill-out area, or gaming room.

**Construction**

Also available without electricity

|    |                                       |
|----|---------------------------------------|
| 9× | solid wall module 1010 mm / 39.76 in. |
| 1× | modular electric socket               |
| 6× | Flask track lighting                  |
| √  | overhanging ceiling profile           |
| √  | integrated linear lamp                |

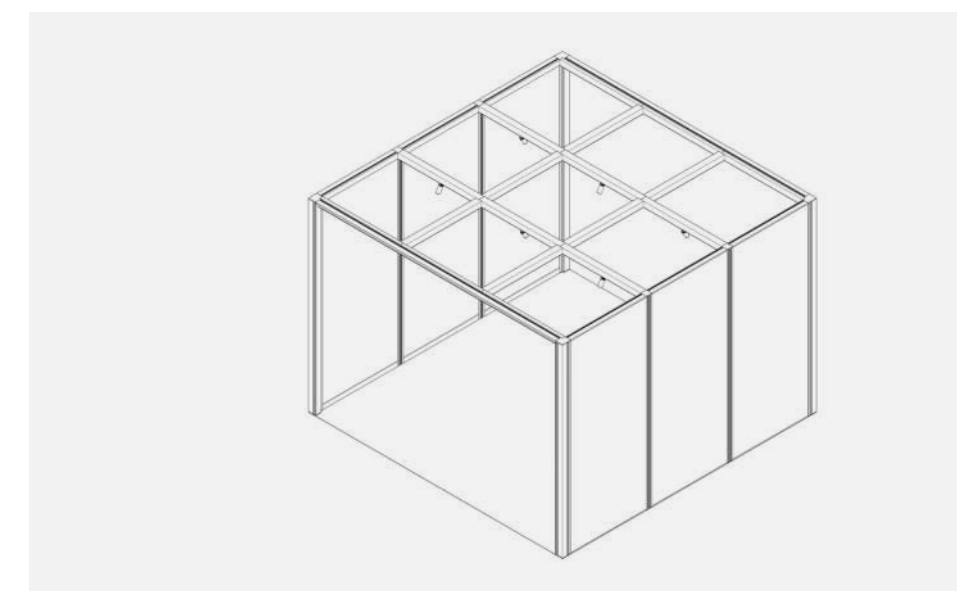
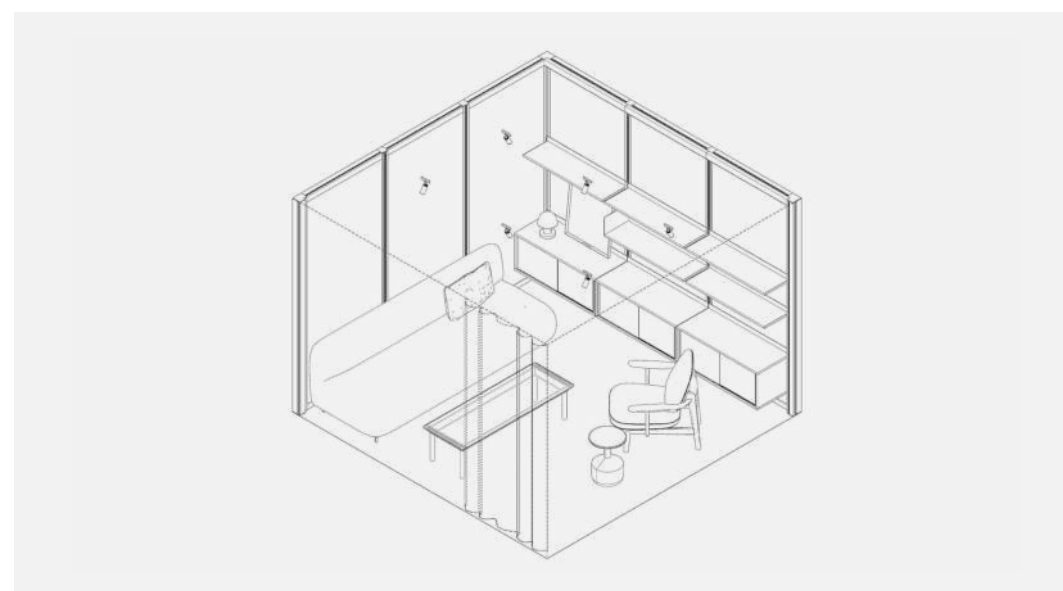
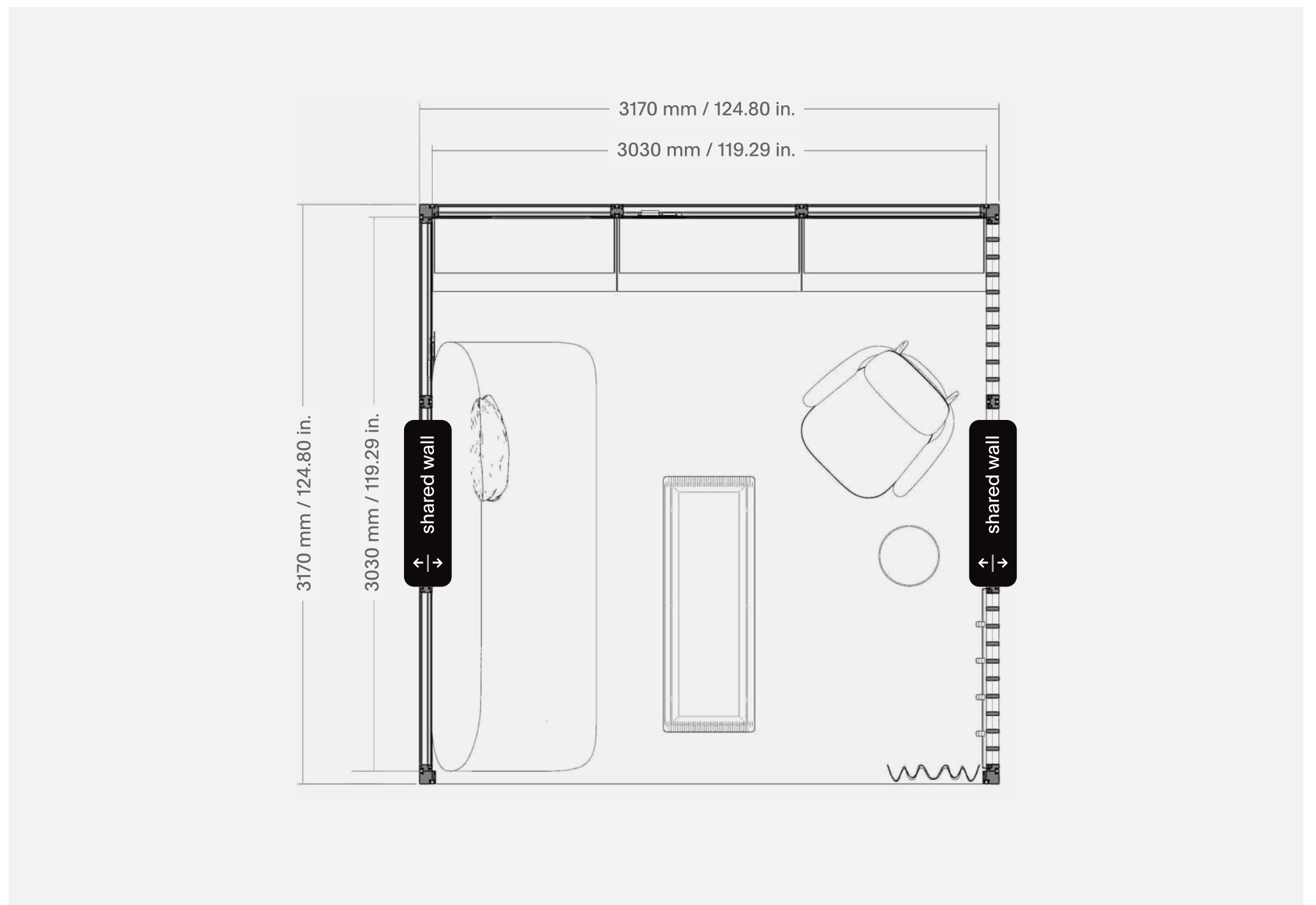
**System furniture and accessories**

|    |                              |
|----|------------------------------|
| √  | curtain rail                 |
| 4× | deep shelf                   |
| 2× | deep shelf with left bookend |
| 3× | sliding door cabinet         |
| 1× | whiteboard                   |
| 3× | display rail                 |
| 1× | display stand                |

**Third party fit-out**

Listed products are purely exemplary and are not sold by Mute.

|    |                              |
|----|------------------------------|
| 1× | sofa by Pedrali              |
| 1× | lounge chair by Fritz Hansen |
| 1× | side table by Miniforms      |
| 1× | floor lamp by HK Living      |



Interested in this unit?

Ask for an offer →

Need more options?

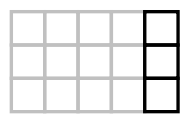
See all rooms →



Room like the one specified in this card can be combined into multifunctional hubs.

Elements of the Modular system may change.

Specification of the product will be verified while preparing an offer and may also be modified on the client's request.



Room name

# Support 3x1 v1.0

Function  
Support

Modular size  
3x1

Capacity  
-

Room type  
Open

## Dimensions (W x L x H)

Exterior 3170 x 1150 x 2400 mm  
124.80 x 45.28 x 94.49 in.

Interior 3030 x 1010 x 2250 mm.  
119.29 x 39.76 x 88.58 in.

## Description

This room for facilitating office work provide space with optional seating desk for one person. It's equipped with dedicated furniture and accessories, finished with third-party fit-outs.

It is a part of Modular Support, set – multi-functional areas created for back-office functions such as storage, cloakroom, coffee corner, or copy point.

## Construction

Also available without electricity

|    |                                       |
|----|---------------------------------------|
| 5x | solid wall module 1010 mm / 39.76 in. |
| 3x | ceiling module                        |
| 2x | modular electric socket               |
| 1x | control panel                         |
| ✓  | integrated linear lamp                |
| ✓  | overhanging ceiling profile           |

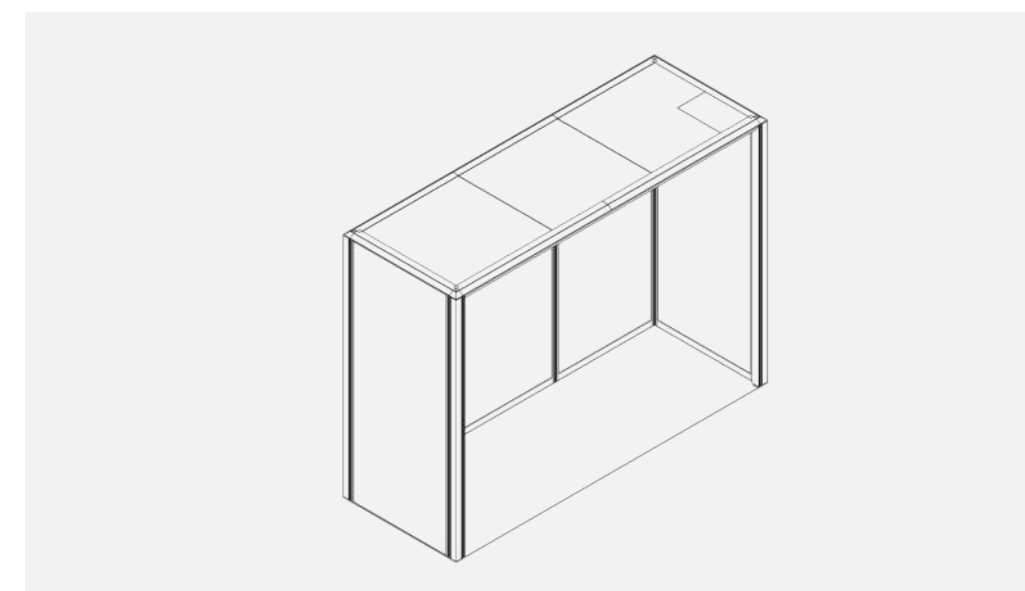
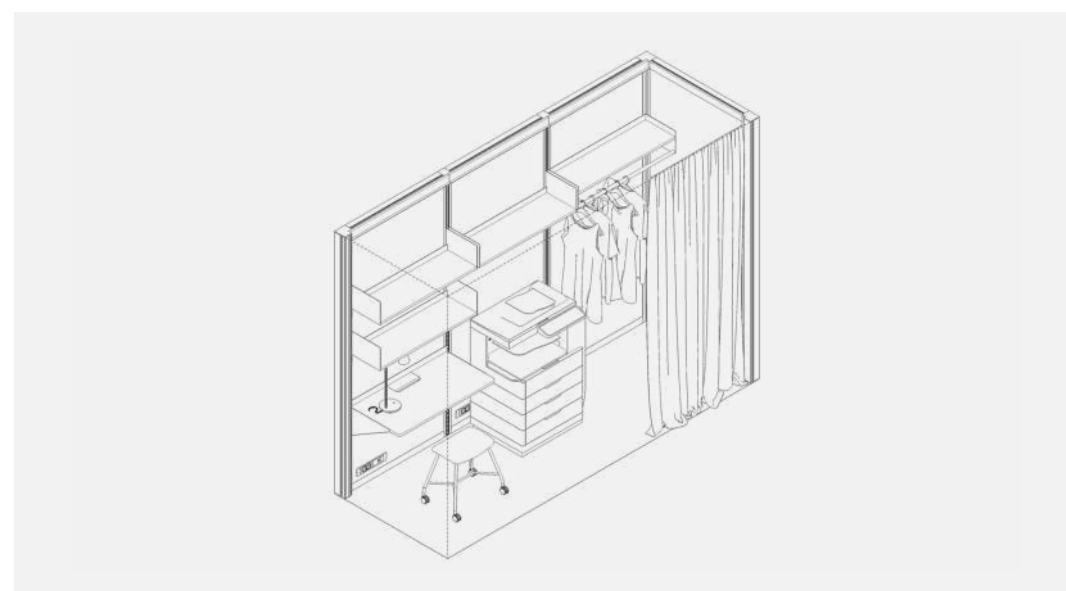
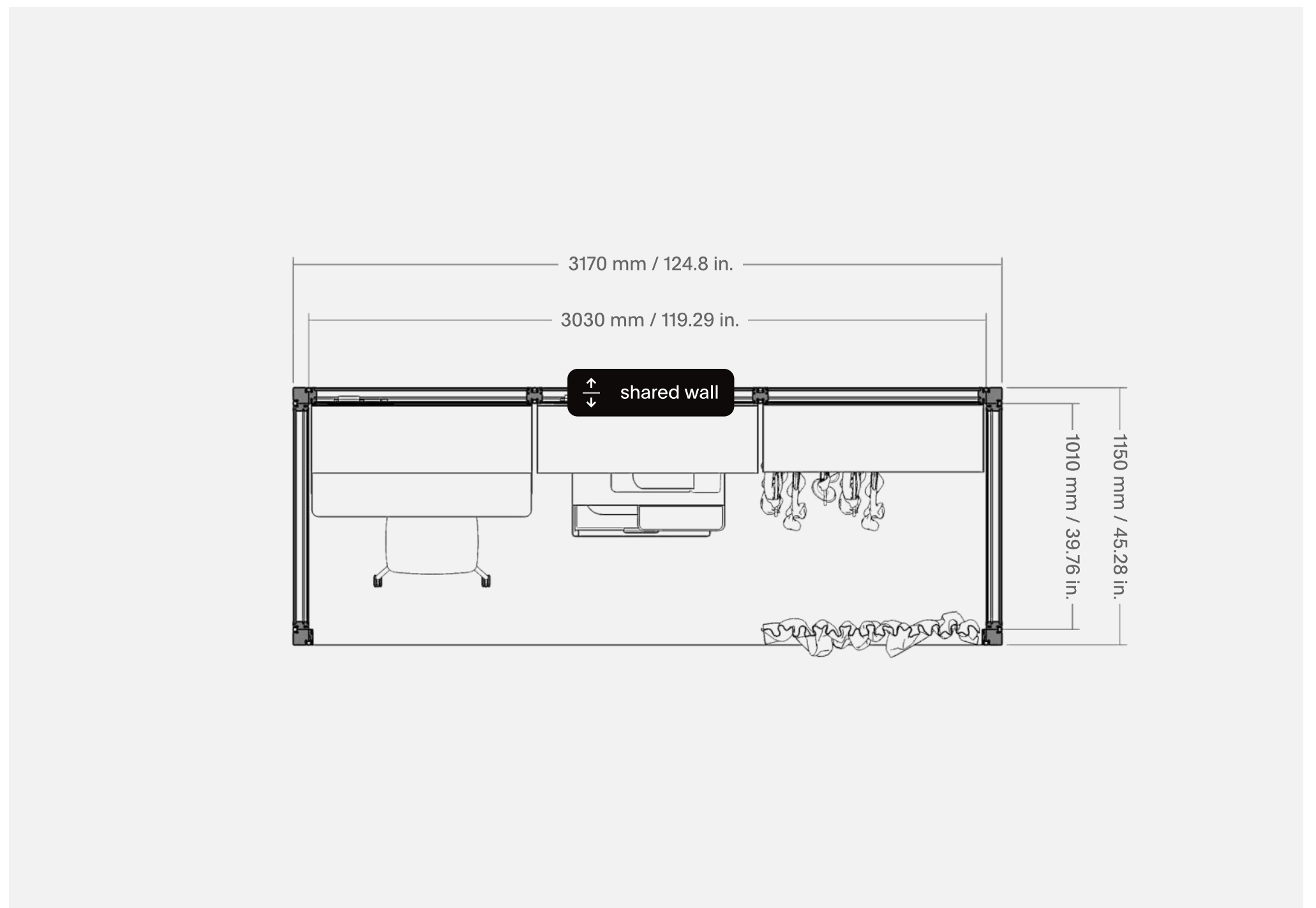
## System furniture and accessories

|    |                          |
|----|--------------------------|
| ✓  | curtain rail             |
| ✓  | curtain                  |
| 1x | desk                     |
| 3x | deep shelf with bookends |
| 1x | deep shelf with rail     |
| 2x | magnet                   |
| 2x | wall hook                |

## Third party fit-out

Listed products are purely exemplary and are not sold by Mute.

|    |                               |
|----|-------------------------------|
| 1x | stool with castors by Materia |
|----|-------------------------------|



Interested in this unit?

[Ask for an offer →](#)

Need more options?

[See all rooms →](#)



Room like the one specified in this card can be combined into multifunctional hubs.

Elements of the Modular system may change.

Specification of the product will be verified while preparing an offer and may also be modified on the client's request.

MUTE.

# Modular

The adaptable room-in-room system

|                          |                                 |                                |                              |                                |
|--------------------------|---------------------------------|--------------------------------|------------------------------|--------------------------------|
| Hub name<br><b>Hub 6</b> | Functions<br><b>Work + Work</b> | Hub modular size<br><b>2x2</b> | Hub capacity<br><b>1 + 1</b> | Hub room types<br><b>O + C</b> |
|--------------------------|---------------------------------|--------------------------------|------------------------------|--------------------------------|

**Dimensions (W x L x H)**

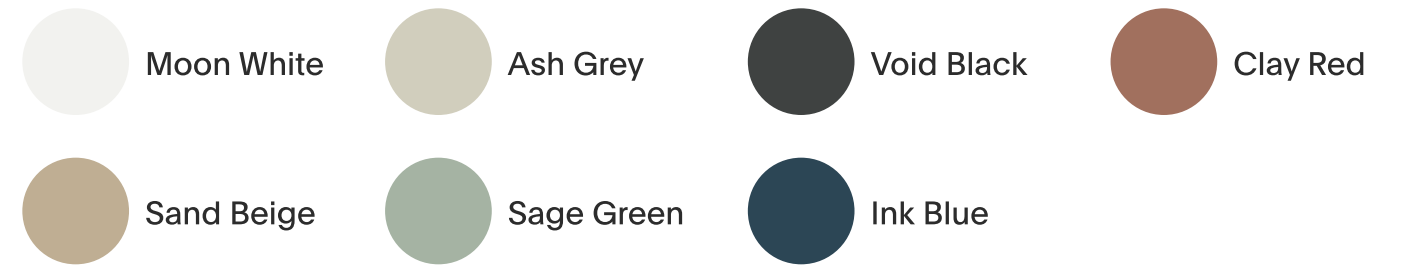
Exterior 2230 x 2160 x 2400 mm / 87.8 x 85.04 x 94.49 in.

**Description**

The system offers unmatched level of modularity. You can arrange individual rooms or combine them into cross-functional hubs to build the perfect, flexible office that provide space and complexity.

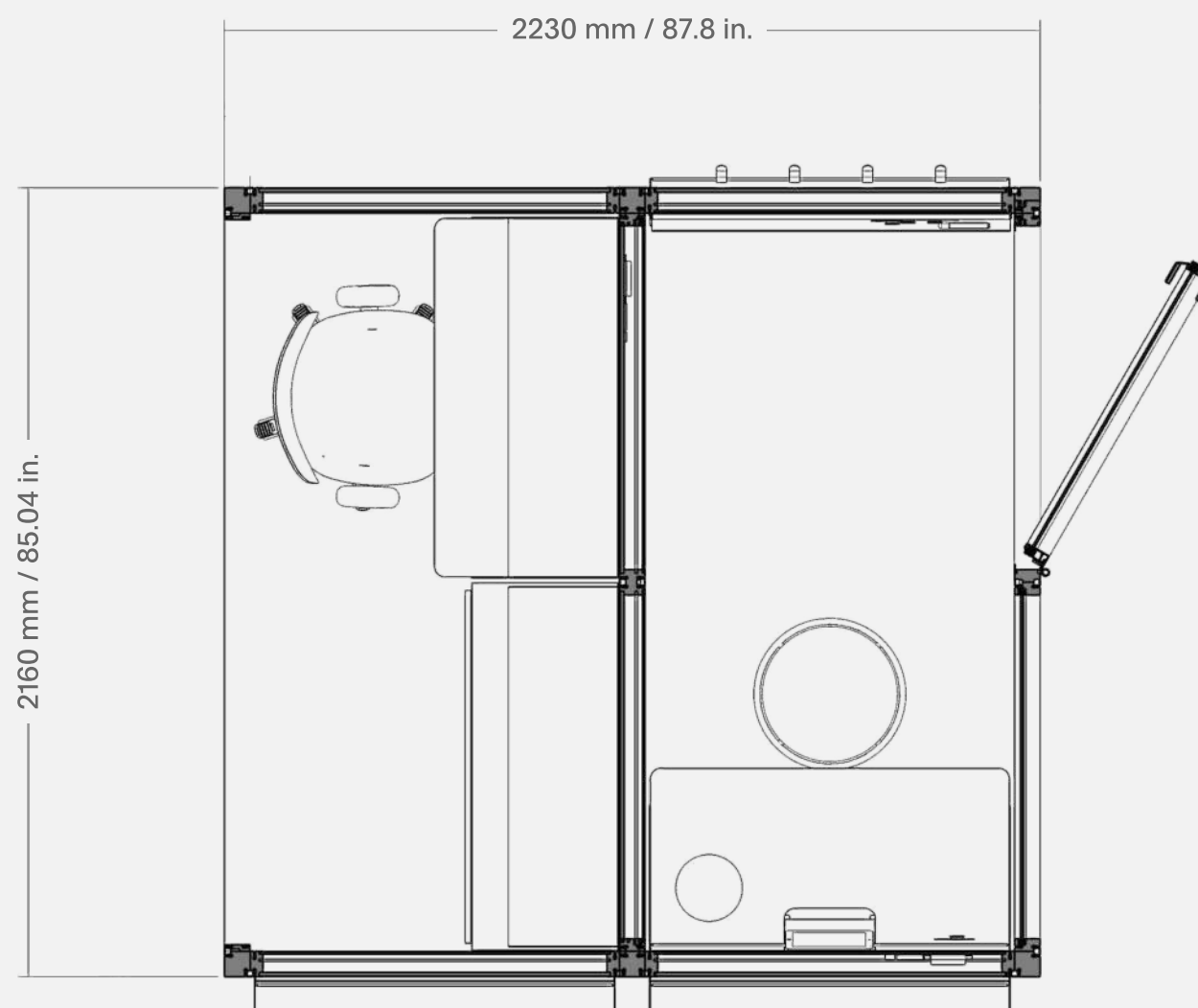
**Colors**

This hub is available in 7 colors.



See single rooms of this hub on next pages

This visualization contains 3rd party products which are purely exemplary and are not sold by Mute.





Room name

# Work 2×1 p1.v3.O

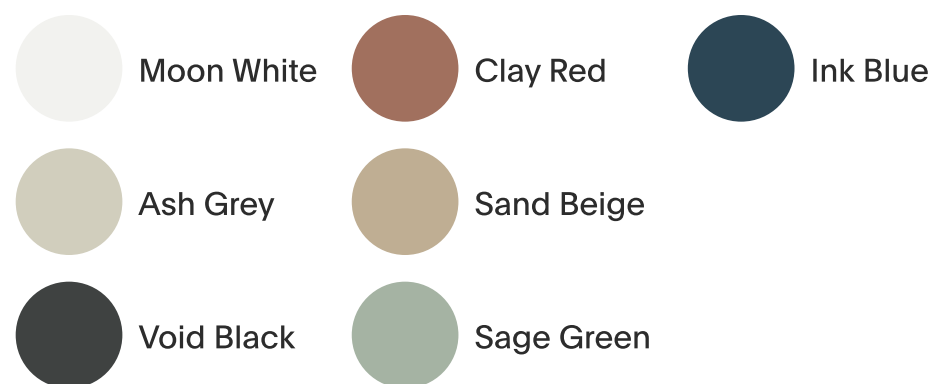
Function  
WorkModular size  
2×1Capacity  
1 personRoom type  
Open**Dimensions (W × L × H)**

|          |                           |
|----------|---------------------------|
| Exterior | 2160 × 1150 × 2400 mm     |
|          | 85.04 × 45.28 × 94.49 in. |
| Interior | 2020 × 1010 × 2250 mm     |
|          | 79.53 × 39.76 × 88.58 in. |

**Description**

This room for collaborative work provide space and calm for two people. It's equipped with dedicated furniture and accessories, finished with third-party fit-outs.

It is a part of Modular Work set – areas designed purposefully to offer comfort and privacy for the individual, focused work, or small collaborative sessions.

**Colors****Construction**

Also available without electricity

|    |                                       |
|----|---------------------------------------|
| 4× | solid wall module 1010 mm / 39.76 in. |
| 2× | ceiling module                        |
| 1× | modular electric socket               |
| 1× | control panel                         |
| ✓  | integrated linear lamp                |
| ✓  | overhanging ceiling profile           |

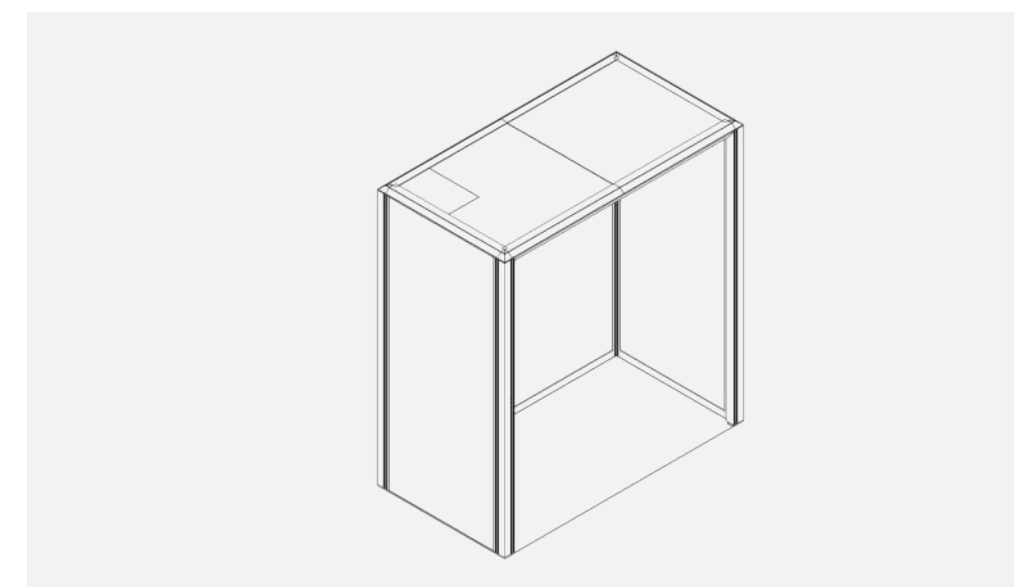
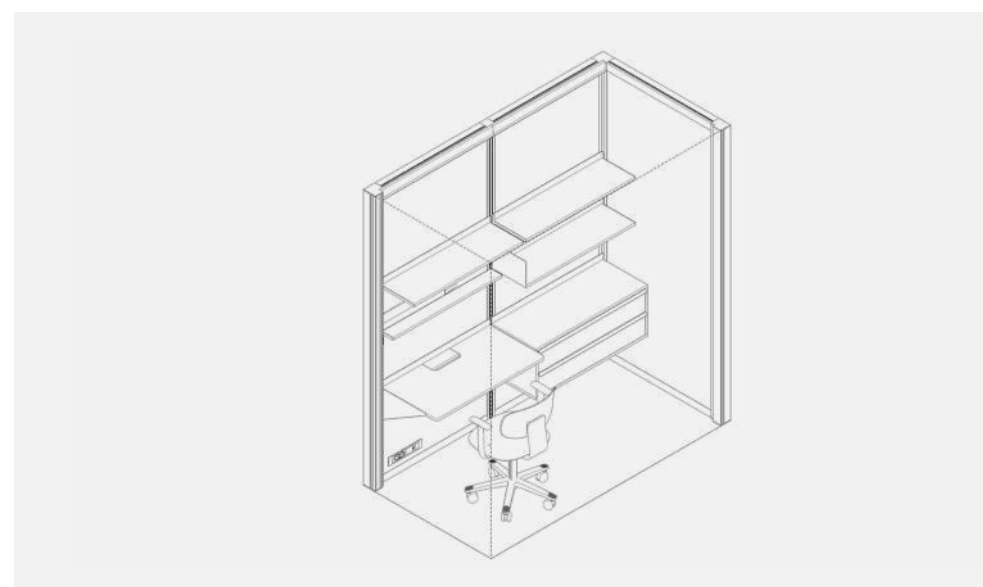
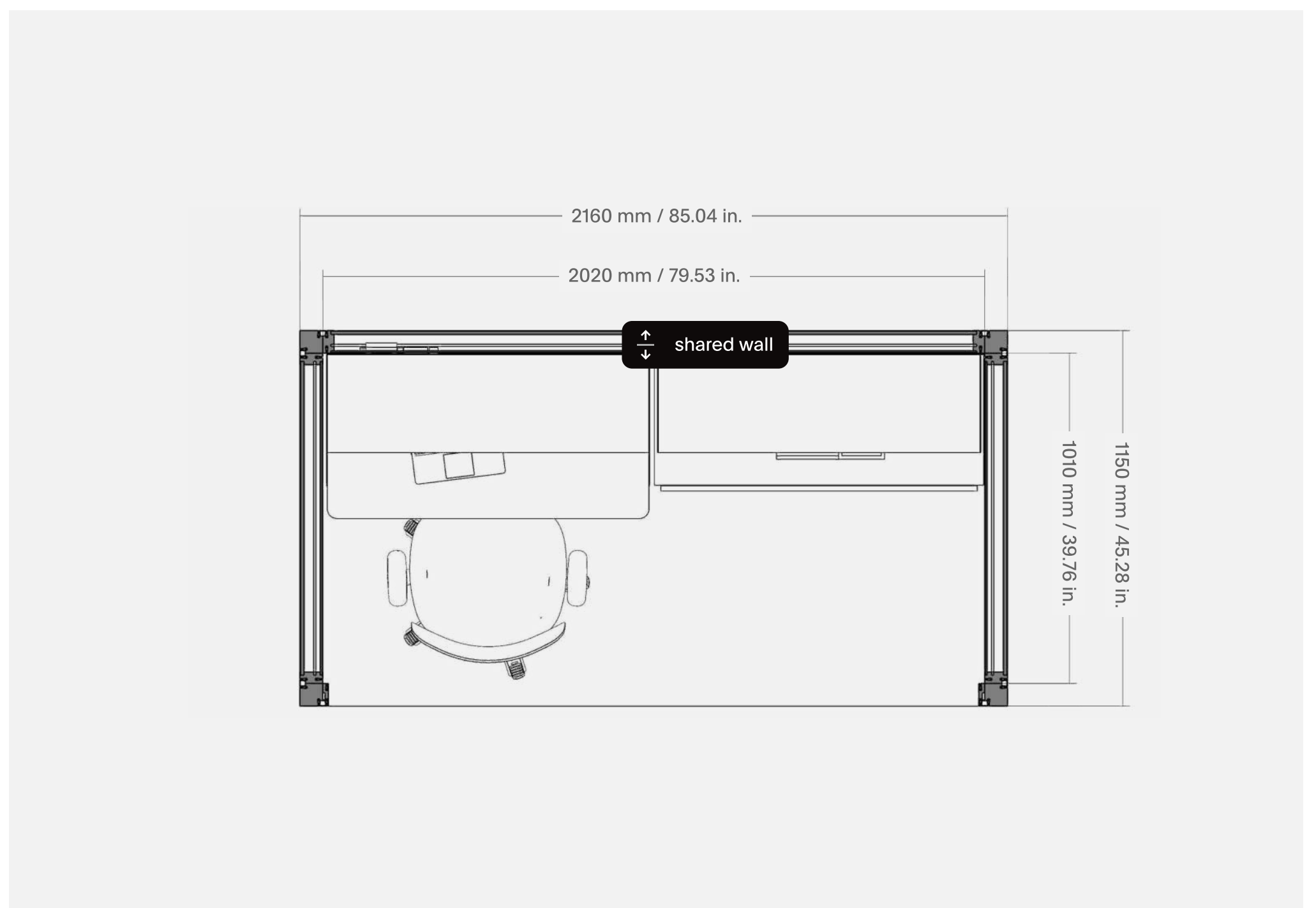
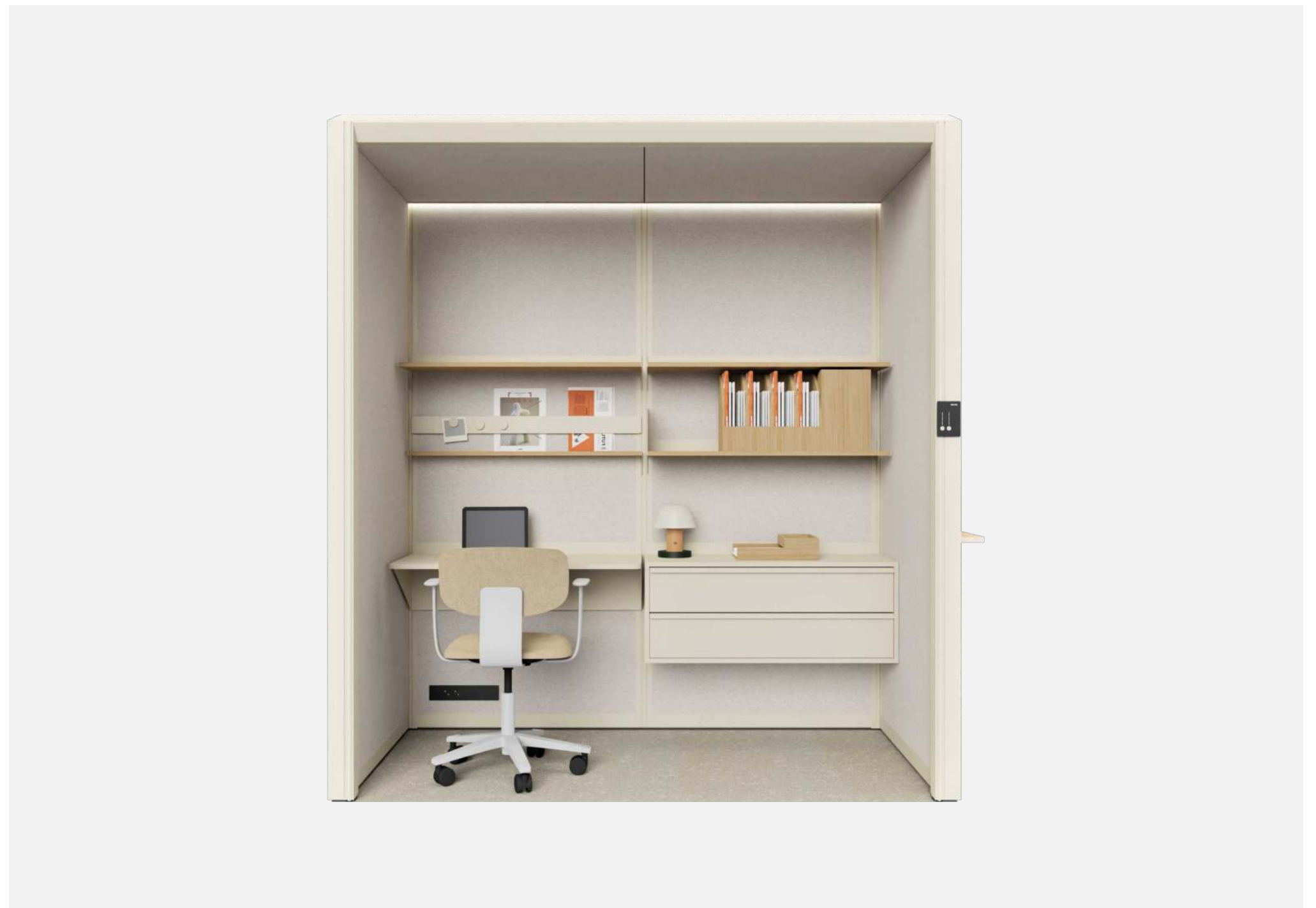
**System furniture and accessories**

|    |                              |
|----|------------------------------|
| 2× | shallow shelf                |
| 2× | depp shelf                   |
| 2× | deep shelf with left bookend |
| 1× | two-drawer cabinet           |
| 1× | desk                         |
| 2× | display rail                 |
| 2× | magnet                       |
| 2× | wall hook                    |

**Third party fit-out**

Listed products are purely exemplary and are not sold by Mute.

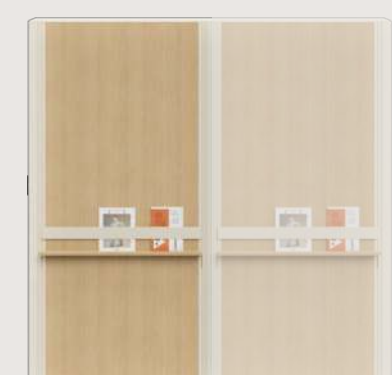
|    |              |
|----|--------------|
| 1× | chair by Håg |
|----|--------------|



Interested in this unit?

[Ask for an offer →](#)

Need more options?

[See all rooms →](#)

Room like the one specified in this card can be combined into multifunctional hubs.

Elements of the Modular system may change.

Specification of the product will be verified while preparing an offer and may also be modified on the client's request.  
[www.mute.design/modular](http://www.mute.design/modular)



Room name

# Work 2×1 p1.v2.C

Function  
WorkModular size  
2×1Capacity  
1 personRoom type  
Closed

## Dimensions (W × L × H)

|          |                           |
|----------|---------------------------|
| Exterior | 2160 × 1150 × 2400 mm     |
|          | 85.04 × 45.28 × 94.49 in. |
| Interior | 2020 × 1010 × 2250 mm     |
|          | 79.53 × 39.76 × 88.58 in  |

## Description

This room for collaborative work provide space and calm for one person. It's equipped with dedicated furniture and accessories, finished with third-party fit-outs.

It is a part of Modular Work set – areas designed purposefully to offer comfort and privacy for the individual, focused work, or small collaborative sessions.

## Colors



## Construction

|    |                                       |
|----|---------------------------------------|
| 4× | solid wall module 1010 mm / 39.76 in. |
| 1× | glass wall module 1010 mm/ 39.76 in.  |
| 1× | left-hand glass door                  |
| 1× | ceiling module                        |
| 1× | ventilation ceiling module            |
| 1× | modular electric socket               |
| 1× | control panel                         |
| 1× | occupancy sensor                      |
| √  | integrated linear lamp                |

## System furniture and accessories

|    |                   |
|----|-------------------|
| 1× | shallow shelf     |
| 1× | desk              |
| 1× | whiteboard        |
| 3× | display rail      |
| 4× | display rail hook |
| 4× | magnet            |
| 2× | wall hook         |
| 1× | phone holder      |

## Third party fit-out

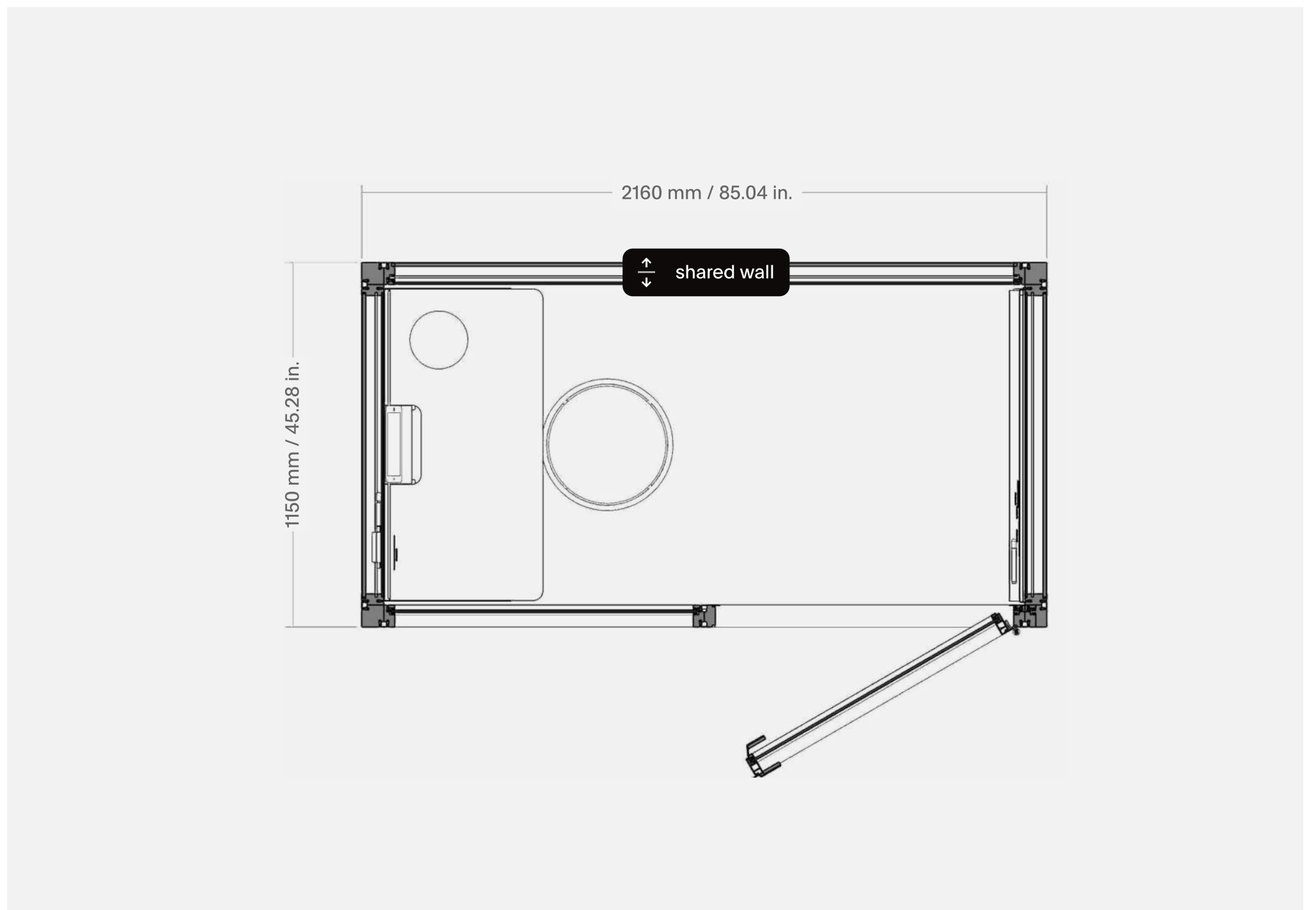
Listed products are purely exemplary and are not sold by Mute.

|    |                    |
|----|--------------------|
| 1× | stool by Mitab     |
| 1× | lamp by &Tradition |

Room like the one specified in this card can be combined into multifunctional hubs.

Elements of the Modular system may change.

Specification of the product will be verified while preparing an offer and may also be modified on the client's request.

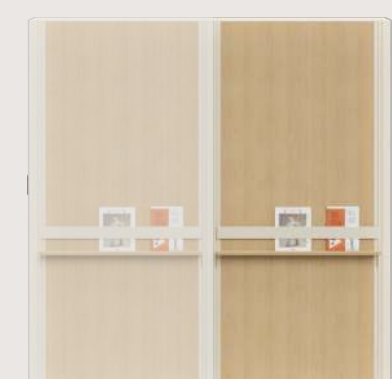


Interested in this unit?

Ask for an offer →

Need more options?

See all rooms →



# MUTE. Modular

The adaptable room-in-room system

|                          |                                    |                                  |                              |                                |
|--------------------------|------------------------------------|----------------------------------|------------------------------|--------------------------------|
| Hub name<br><b>Hub 7</b> | Functions<br><b>Support + Work</b> | Hub modular size<br><b>2x1,5</b> | Hub capacity<br><b>1 + x</b> | Hub room types<br><b>O + O</b> |
|--------------------------|------------------------------------|----------------------------------|------------------------------|--------------------------------|

## Dimensions (W x L x H)

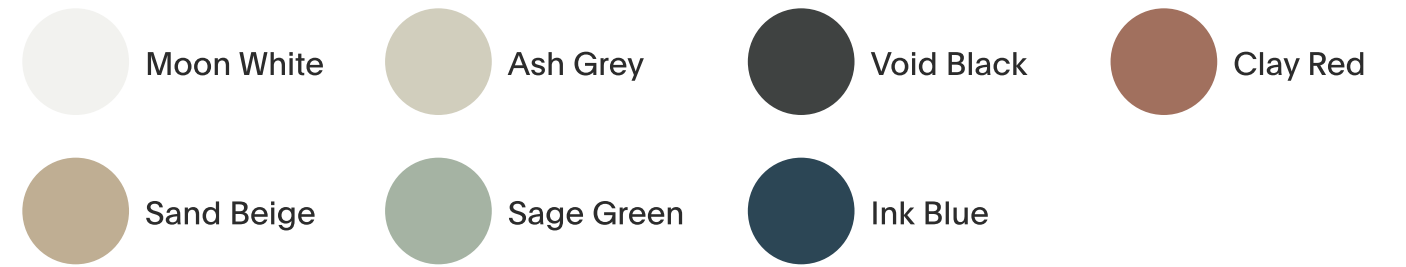
Exterior 2160 x 1725 x 2400 mm / 85.04 x 67.91 x 94.49 in.

## Description

The system offers unmatched level of modularity. You can arrange individual rooms or combine them into cross-functional hubs to build the perfect, flexible office that provide space and complexity.

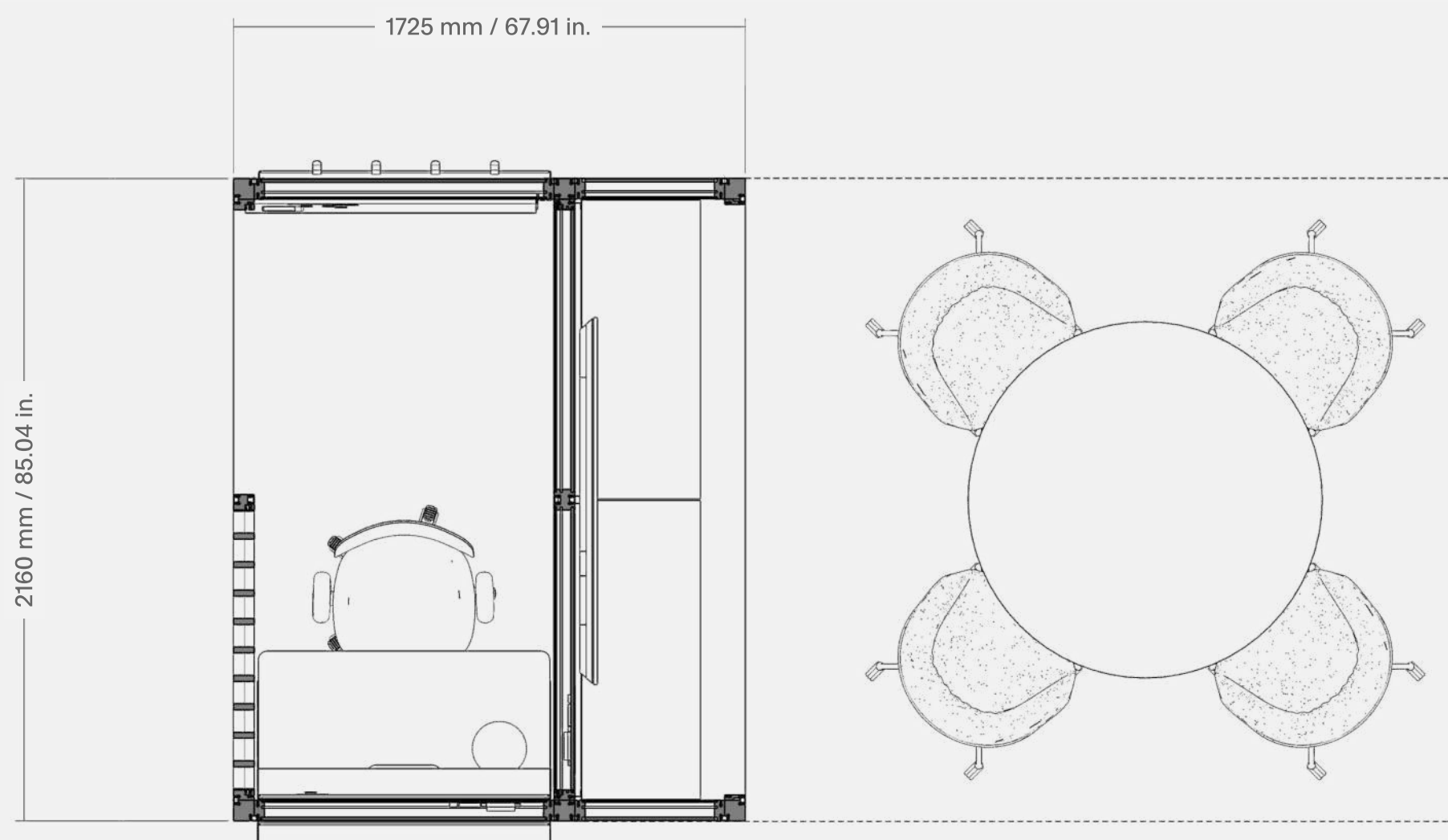
## Colors

This hub is available in 7 colors.



See single rooms of this hub on next pages

This visualization contains 3rd party products which are purely exemplary and are not sold by Mute.



Room name  
**Work 2x1 p1.v1.0**

Function  
**Work**

Modular size  
**2x1**

Capacity  
**1 person**

Room type  
**Open**

**Dimensions (W x L x H)**

Exterior 2160 x 1150 x 2400 mm  
85.04 x 45.28 x 94.49 in.  
Interior 2020 x 1010 x 2250 mm  
79.53 x 39.76 x 88.58 in

**Description**

This room for collaborative work provide space and calm for one person. It's equipped with dedicated furniture and accessories, finished with third-party fit-outs.

It is a part of Modular Work set – areas designed purposefully to offer comfort and privacy for the individual, focused work, or small collaborative sessions.

**Colors**

This room name is available in 7 colors.



**Construction**

Also available without electricity

|    |   |
|----|---|
| 4x | solid wall module 1010 mm / 39.76 in.   |
| 1x | slatted wall module 1010 mm / 39.76 in. |
| 2x | ceiling module                          |
| 1x | modular electric socket                 |
| 1x | control panel                           |
| ✓  | integrated linear lamp                  |
| ✓  | overhanging ceiling profile             |

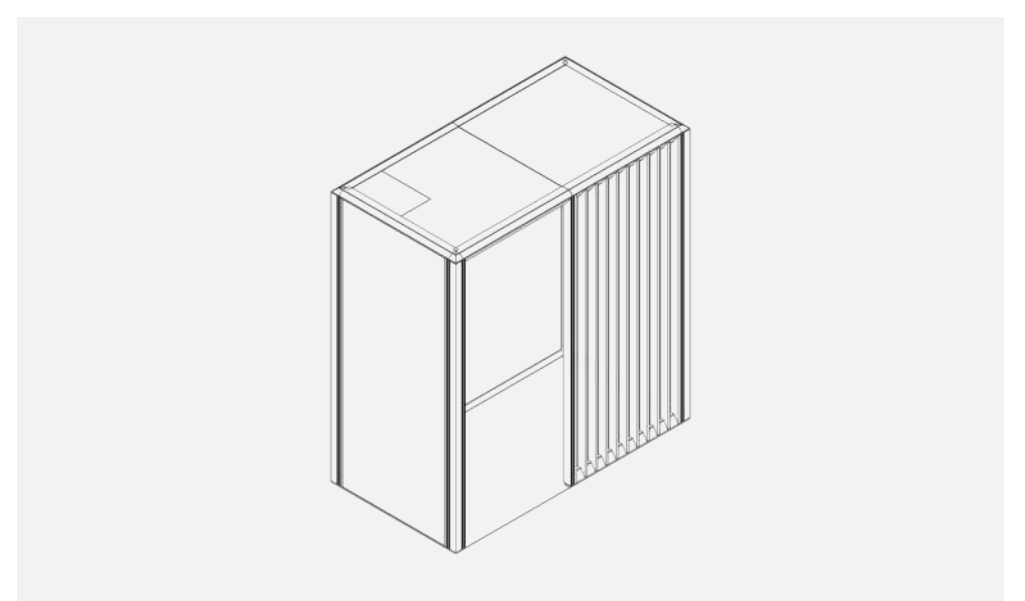
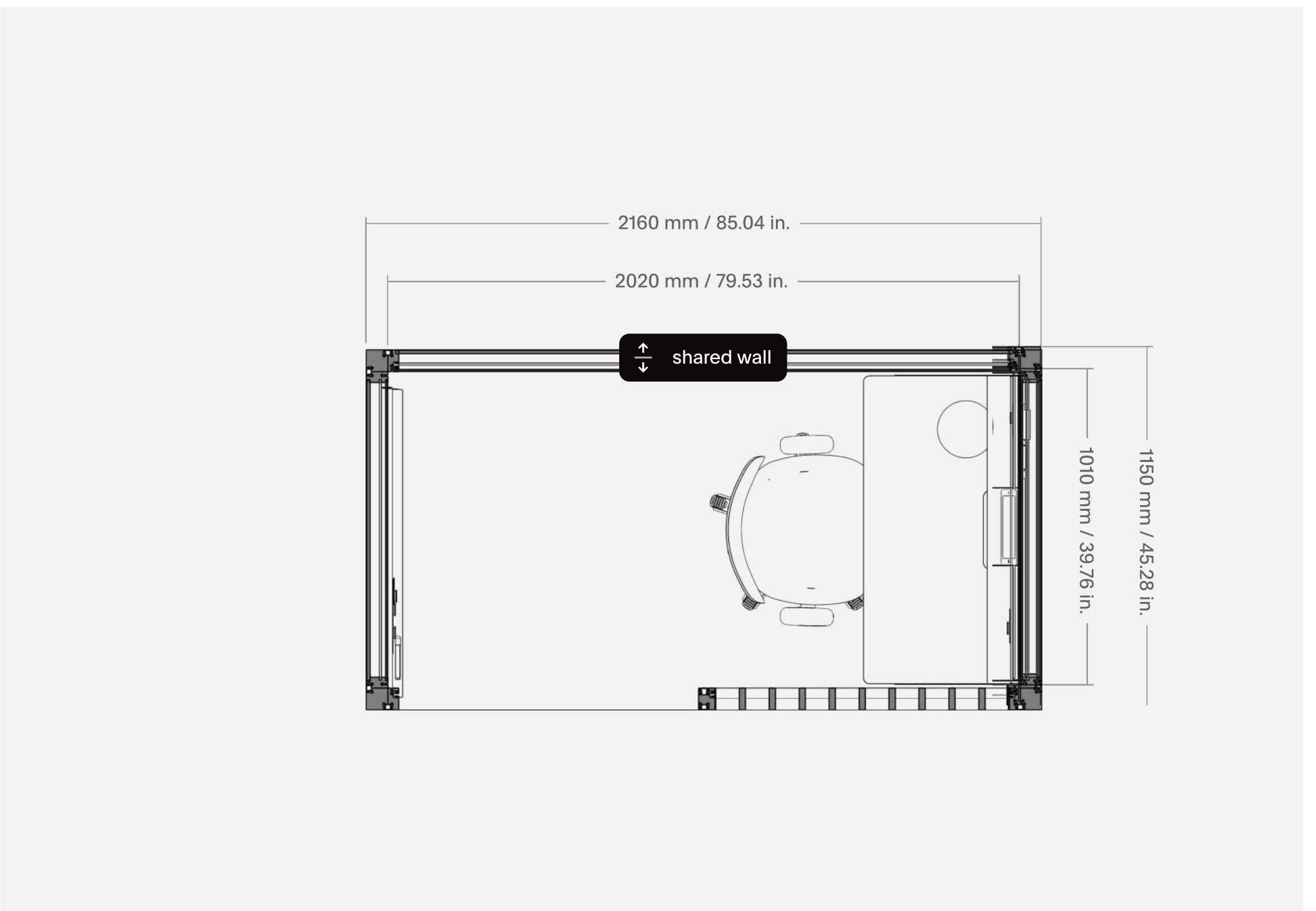
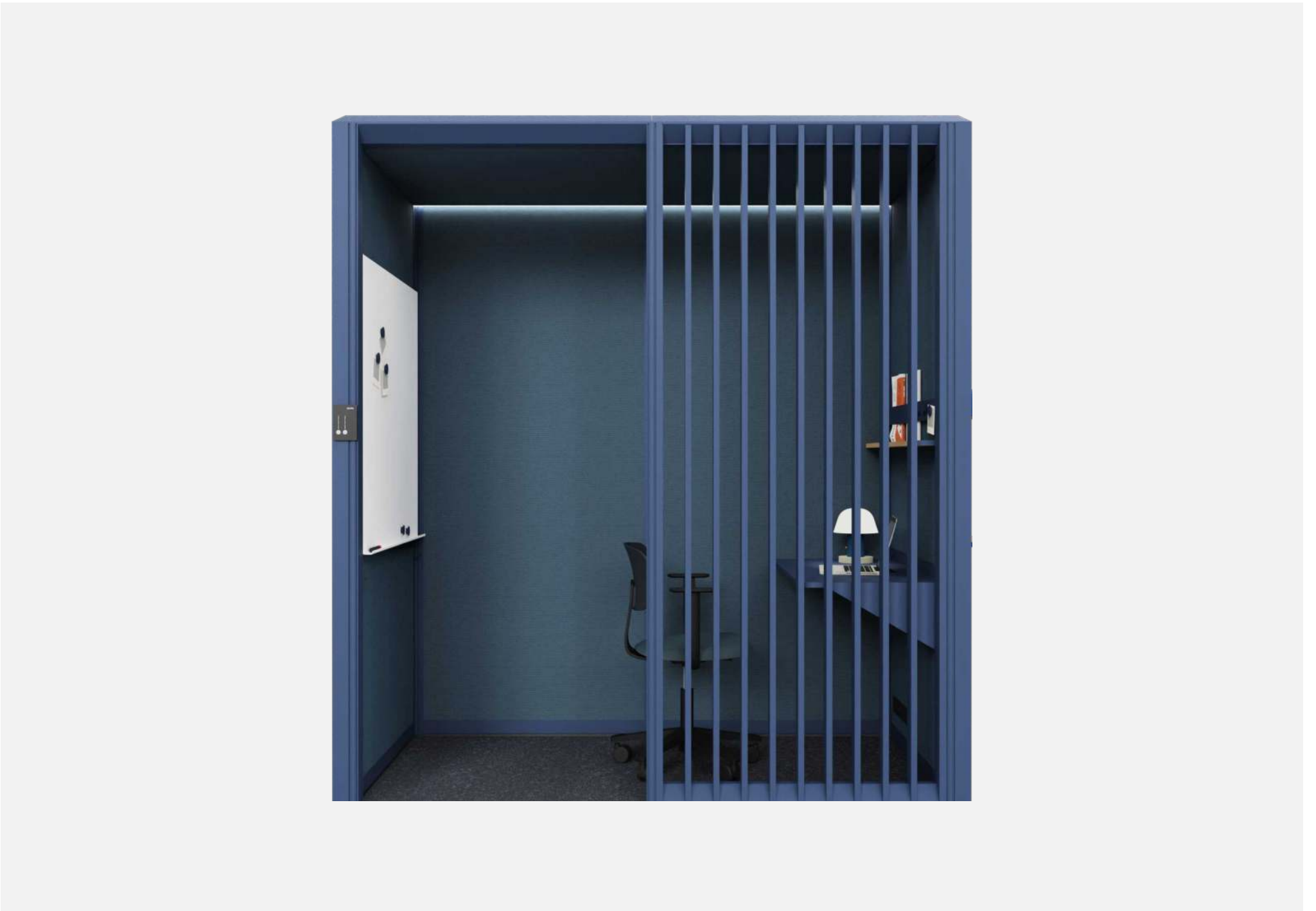
**System furniture and accessories**

|    |              |
|----|--------------|
| 1x | desk         |
| 1x | whiteboard   |
| 3x | display rail |
| 1x | phone holder |
| 4x | magnet       |

**Third party fit-out**

Listed products are purely exemplary and are not sold by Mute.

|    |                    |
|----|--------------------|
| 1x | stool by Håg       |
| 1x | lamp by &Tradition |



**Interested in this unit?** [Ask for an offer →](#)

---

**Need more options?** [See all rooms →](#)



Room like the one specified in this card can be combined into multifunctional hubs.

Elements of the Modular system may change.

Specification of the product will be verified while preparing an offer and may also be modified on the client's request.

Room name  
**Support 2x0,5 v2.0**

Function  
**Support**

Modular size  
**2x0,5**

Capacity  
**-**

Room type  
**Open**

**Dimensions (W x L x H)**

Exterior 2160 x 645 x 2400 mm  
85.04 x 25.39 x 94.49 in.  
Interior 2020 x 505 x 2250 mm  
79.53 x 19.88 x 88.58 in.

**Description**

This room for facilitating office work provide space and functionality. It's equipped with dedicated furniture and accessories, finished with third-party fit-outs.

It is a part of Modular Support, set – multi-functional areas created for back-office functions such as storage, cloakroom, coffee corner, or copy point.

**Colors**



**Construction**

Also available without electricity

|    |                                       |
|----|---------------------------------------|
| 2x | solid wall module 1010 mm / 39.76 in. |
| 2x | solid wall module 505 mm / 19.88 in.  |
| 2x | ceiling module                        |
| 2x | modular electric socket               |
| 1x | control panel                         |
| ✓  | integrated linear lamp                |
| ✓  | overhanging ceiling profile           |

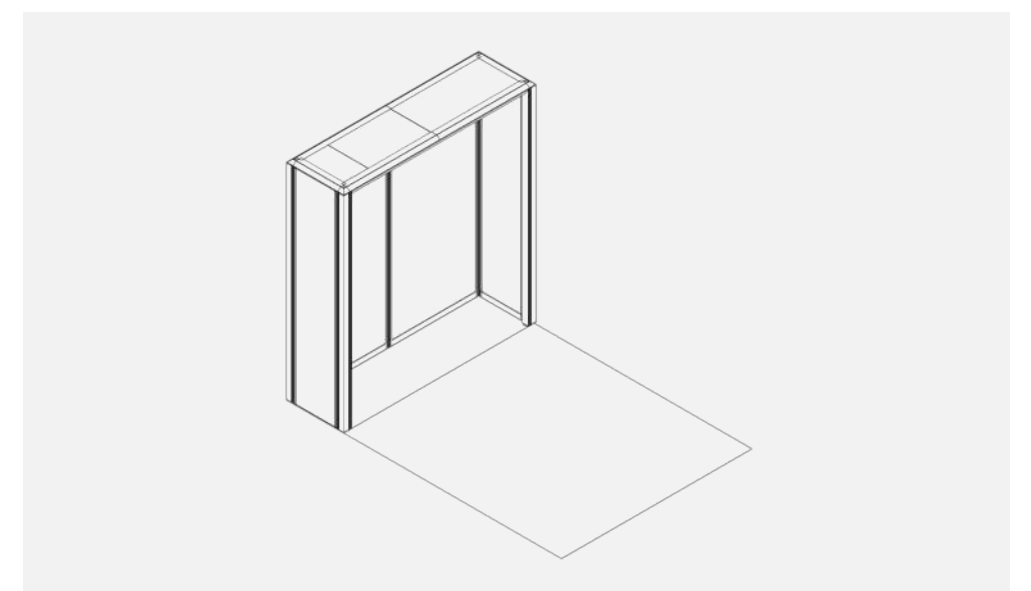
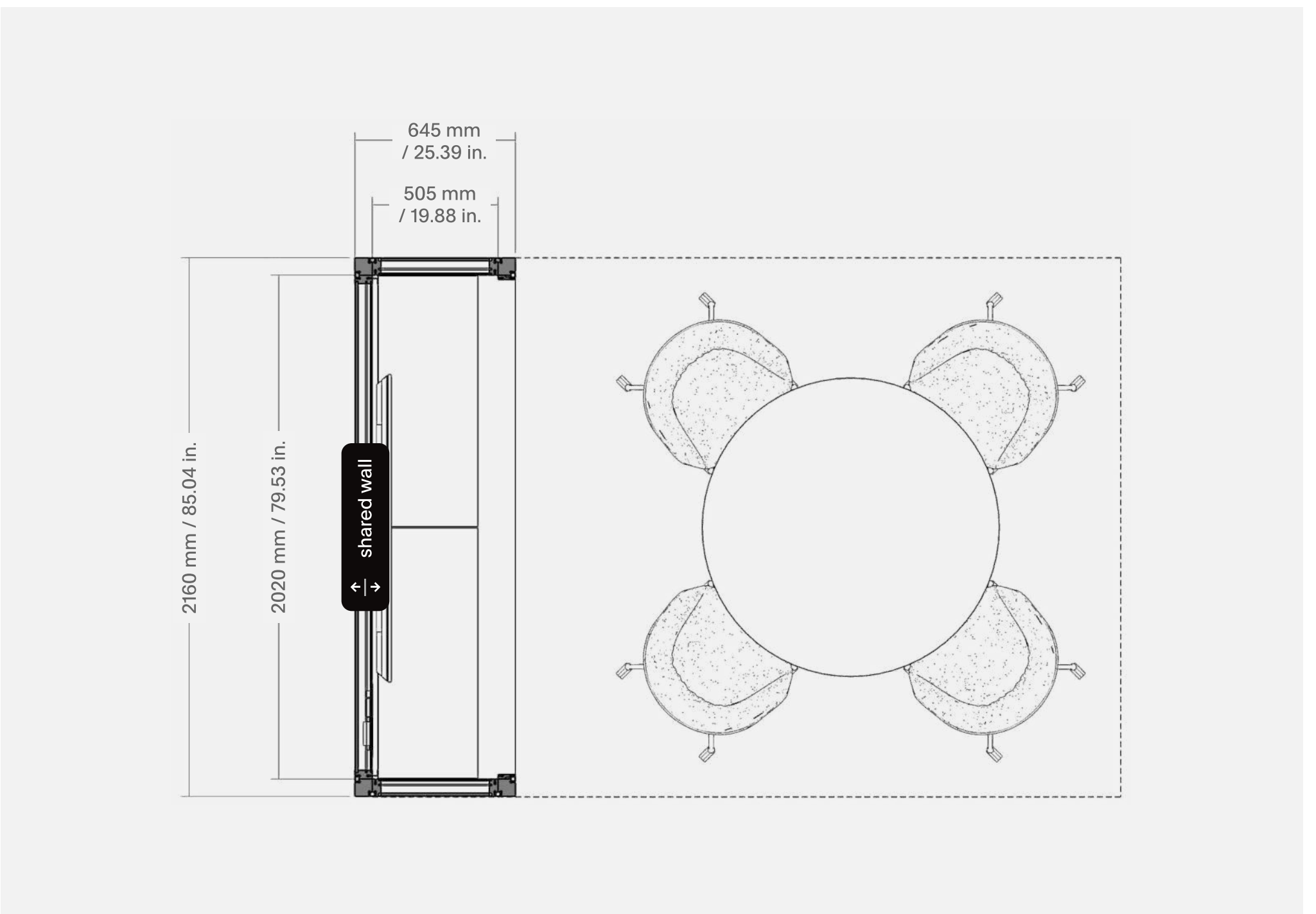
**System furniture and accessories**

|    |                      |
|----|----------------------|
| 2x | sliding door cabinet |
| 1x | TV hanger            |

**Third party fit-out**

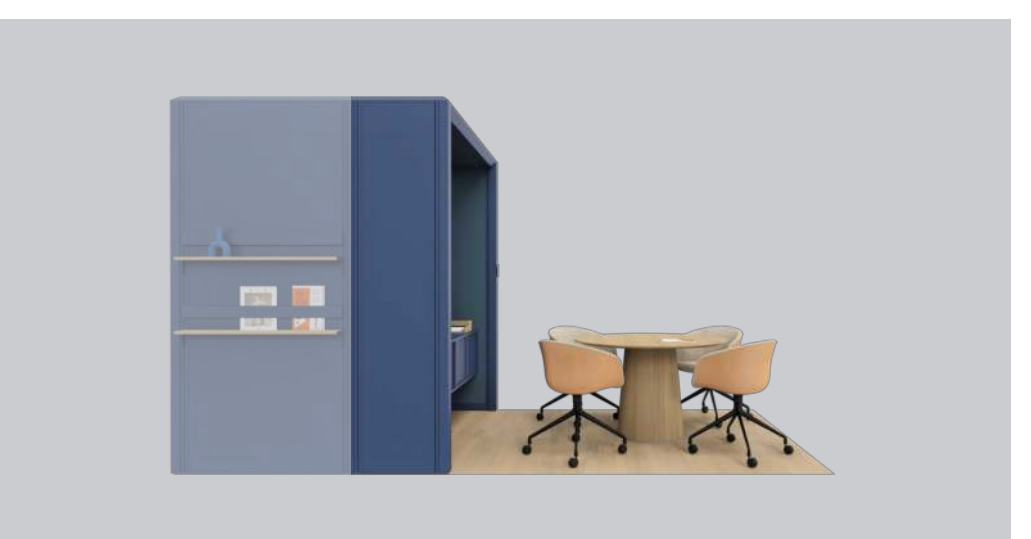
Listed products are purely exemplary and are not sold by Mute.

|    |                                   |
|----|-----------------------------------|
| 1x | table ø120 mm / ø47.24 in. by Ton |
| 4x | chair by Hay                      |



**Interested in this unit?** [Ask for an offer →](#)

**Need more options?** [See all rooms →](#)



Room like the one specified in this card can be combined into multifunctional hubs.

Elements of the Modular system may change.

Specification of the product will be verified while preparing an offer and may also be modified on the client's request.



MUTE.

# Modular

The adaptable room-in-room system

|                          |                                   |                                |                              |                                |
|--------------------------|-----------------------------------|--------------------------------|------------------------------|--------------------------------|
| Hub name<br><b>Hub 8</b> | Functions<br><b>Work + Lounge</b> | Hub modular size<br><b>2x2</b> | Hub capacity<br><b>2 + 2</b> | Hub room types<br><b>O + O</b> |
|--------------------------|-----------------------------------|--------------------------------|------------------------------|--------------------------------|

**Dimensions (W x L x H)**

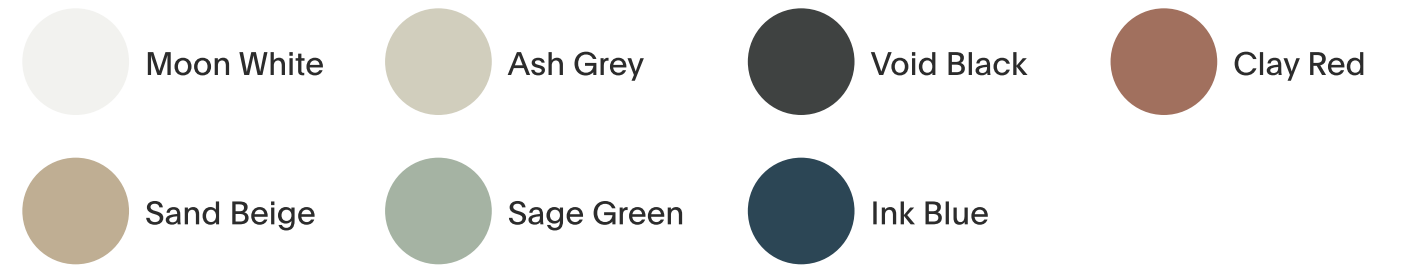
Exterior 2230 x 2160 x 2400 mm / 87.8 x 85.04 x 94.49 in.

**Description**

Modular is a perfect solution for creating functional office Hubs. They can be arranged with workstations as hot desks zones or lounge areas, effectively separating office zones.

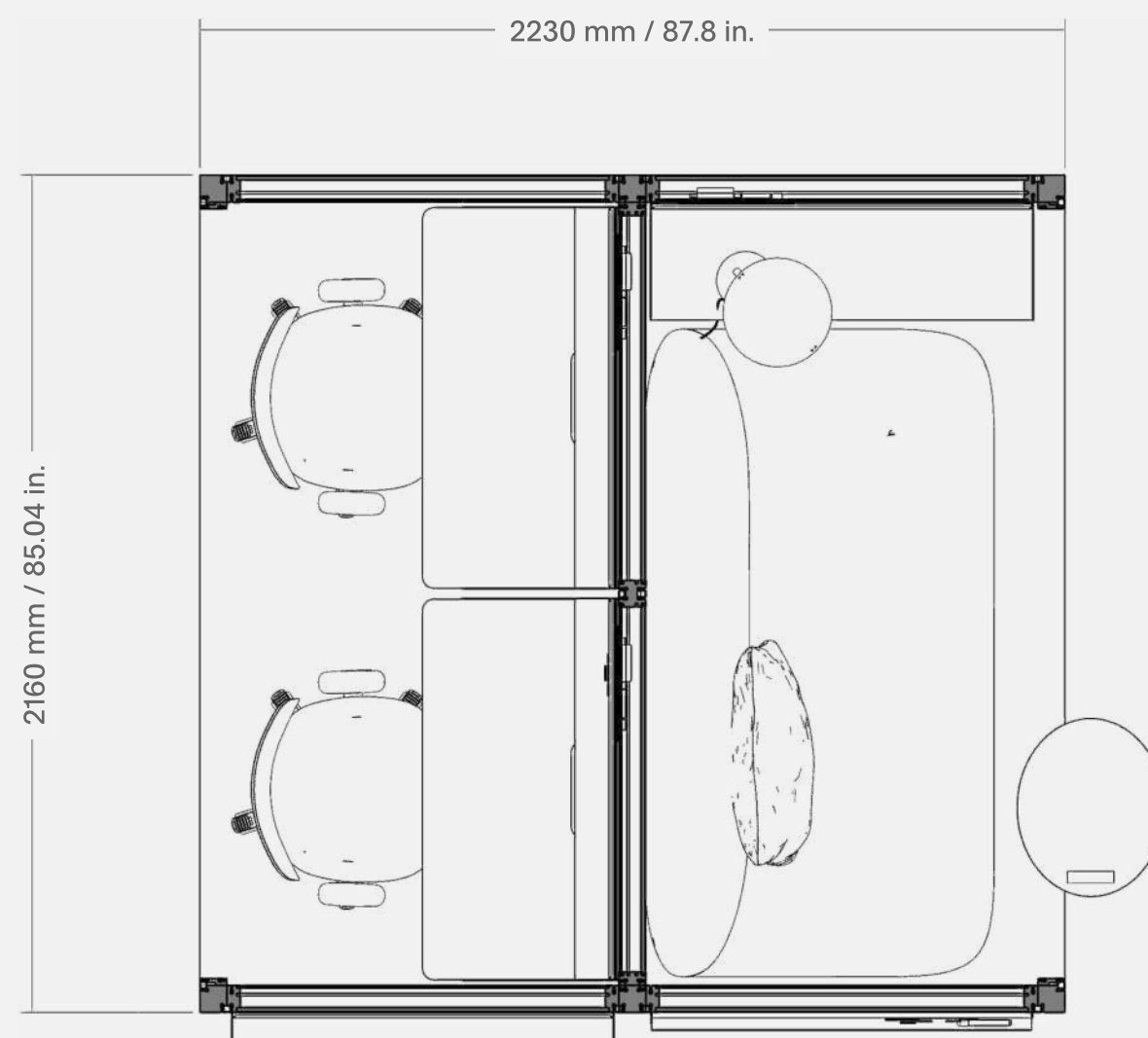
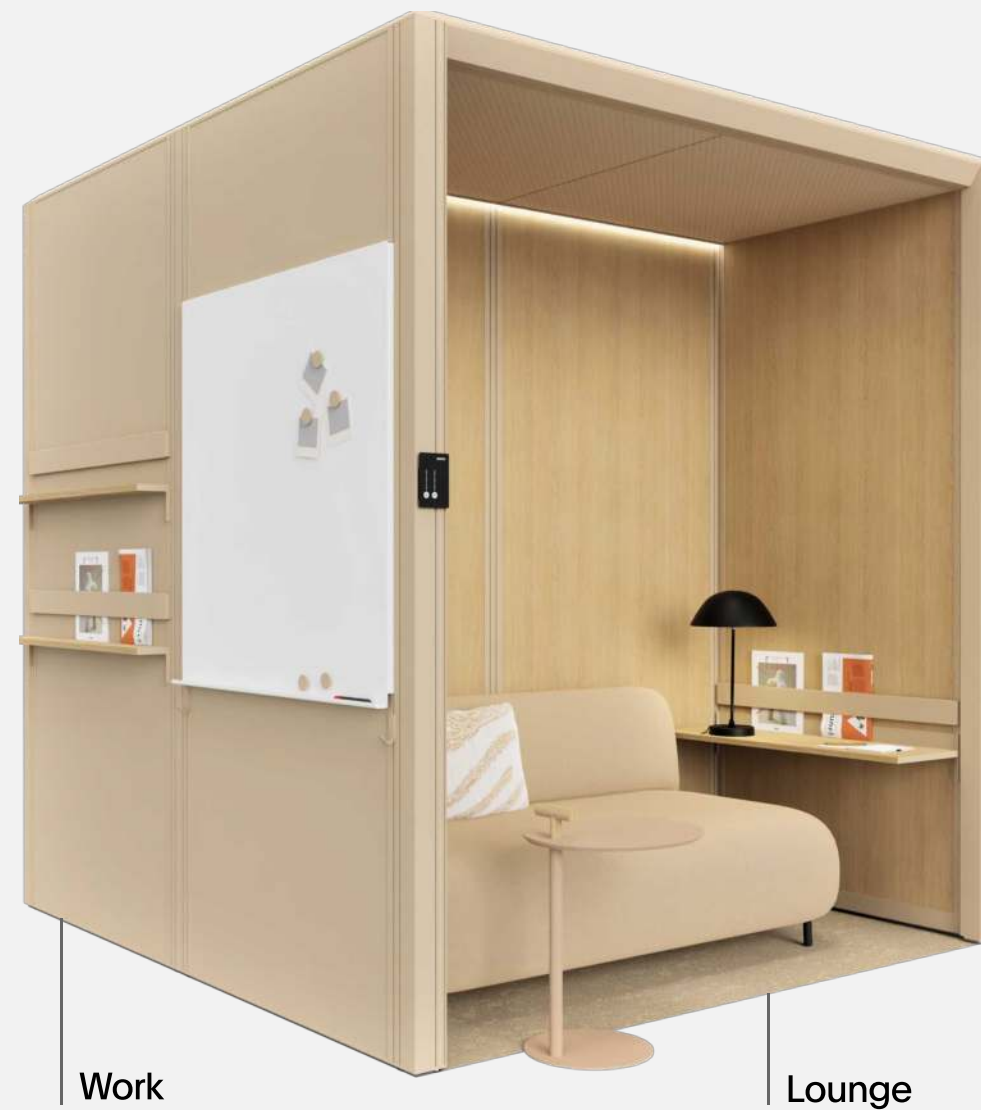
**Colors**

This hub is available in 7 colors.



See single rooms of this hub on next pages

This visualization contains 3rd party products which are purely exemplary and are not sold by Mute.





Room name

# Work 2x1 p2.v1.O

Function  
WorkModular size  
2x1Capacity  
2 peopleRoom type  
Open

## Dimensions (W x L x H)

|          |                           |
|----------|---------------------------|
| Exterior | 2160 x 1150 x 2400 mm     |
|          | 85.04 x 45.28 x 94.49 in. |
| Interior | 2020 x 1010 x 2250 mm     |
|          | 79.53 x 39.76 x 88.58 in. |

## Description

This room for collaborative work provide space and calm for two people. It's equipped with dedicated furniture and accessories, finished with third-party fit-outs.

It is a part of Modular Work set – areas designed purposefully to offer comfort and privacy for the individual, focused work, or small collaborative sessions.

## Colors



## Construction

Also available without electricity

|    |                                       |
|----|---------------------------------------|
| 4x | solid wall module 1010 mm / 39.76 in. |
| 2x | ceiling module                        |
| 2x | modular electric socket               |
| 1x | control panel                         |
| ✓  | integrated linear lamp                |
| ✓  | overhanging ceiling profile           |

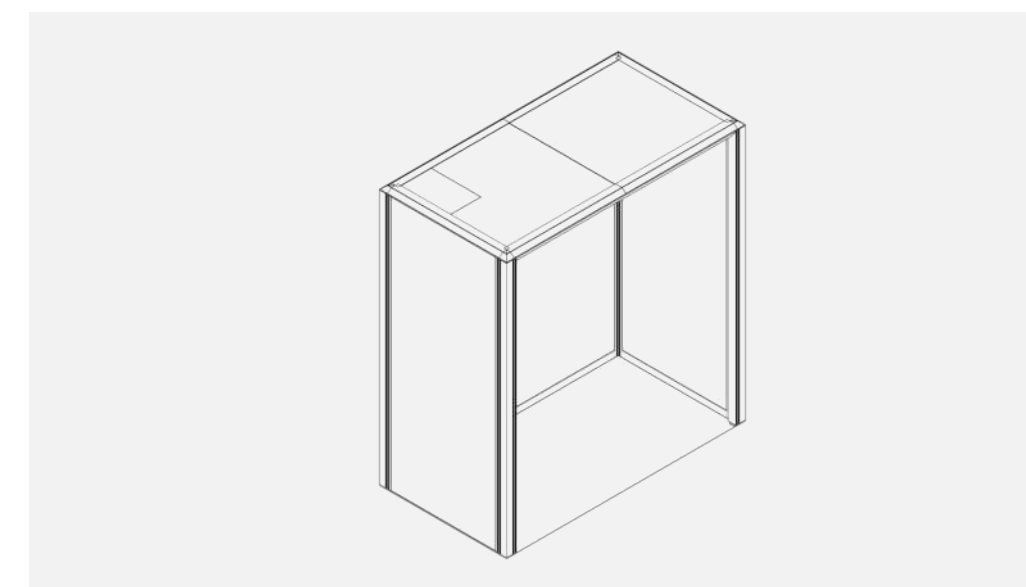
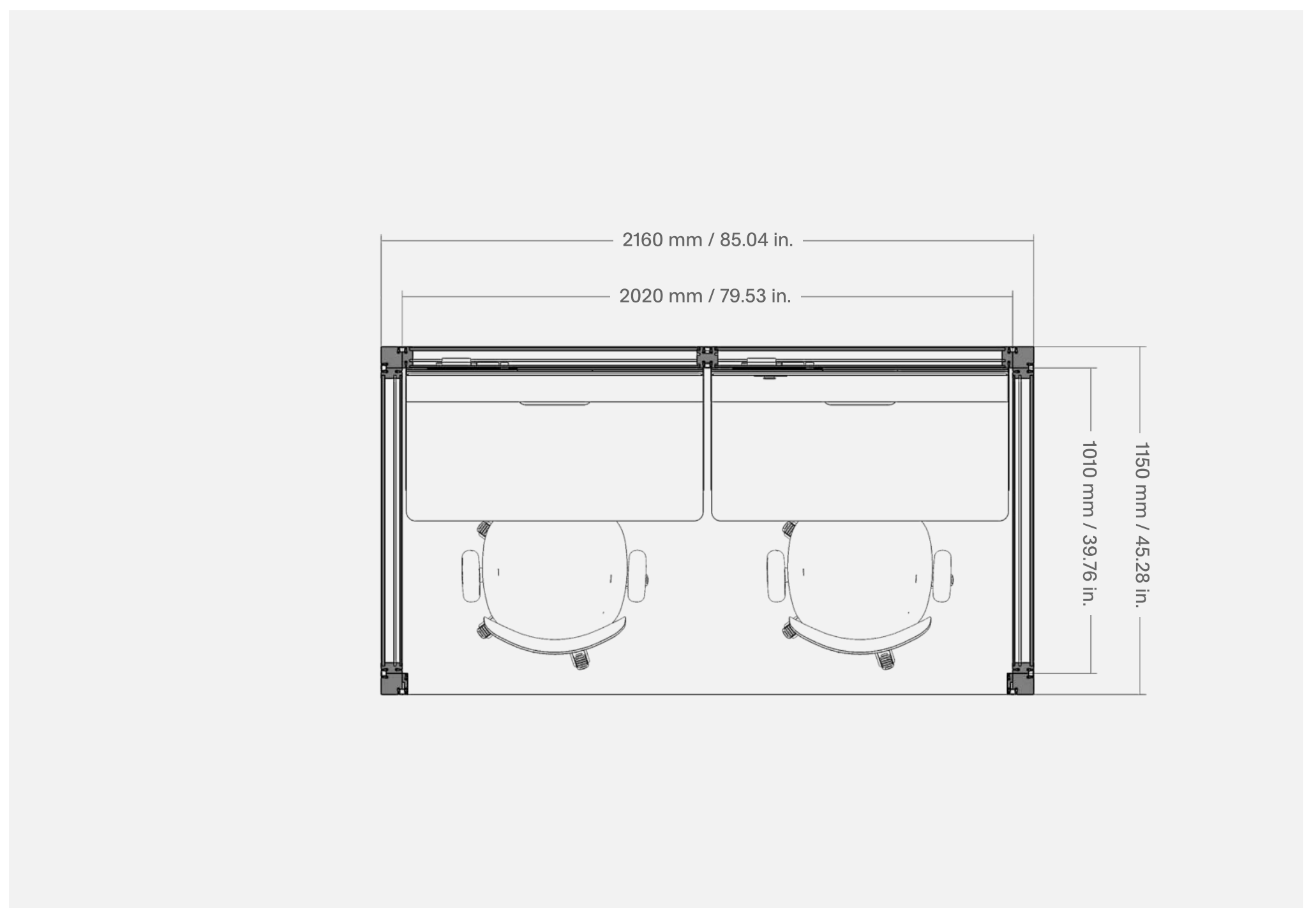
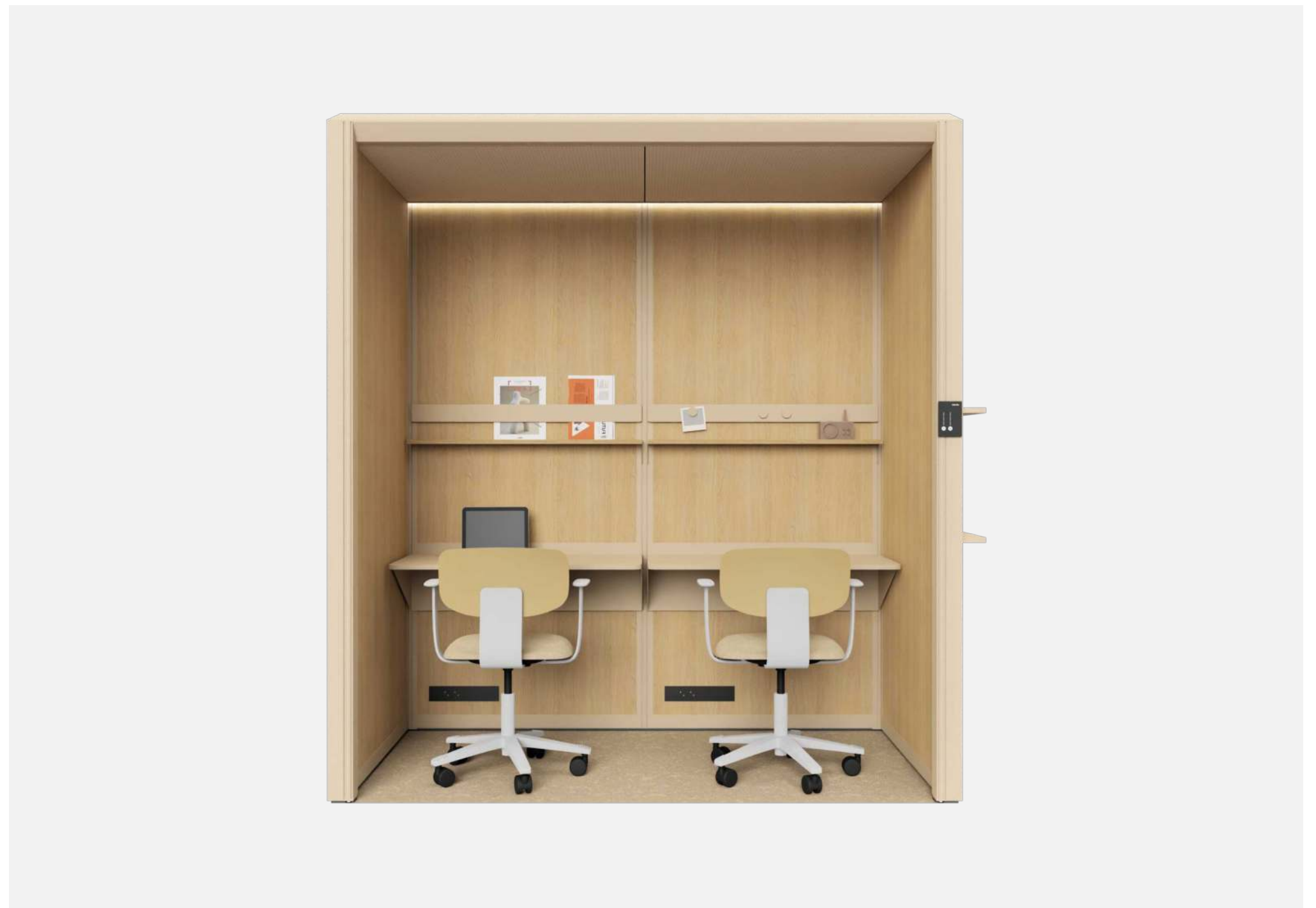
## System furniture and accessories

|    |               |
|----|---------------|
| 4x | shallow shelf |
| 2x | desk          |
| 4x | display rail  |
| 2x | magnet        |
| 2x | wall hook     |

## Third party fit-out

Listed products are purely exemplary and are not sold by Mute.

|    |              |
|----|--------------|
| 2x | chair by Håg |
|----|--------------|



Interested in this unit?

Ask for an offer →

Need more options?

See all rooms →



Room like the one specified in this card can be combined into multifunctional hubs.

Elements of the Modular system may change.

Specification of the product will be verified while preparing an offer and may also be modified on the client's request.  
www.mute.design/modular



Room name

# Lounge 2x1 p2.v1.0

Function  
LoungeModular size  
2x1Capacity  
2 peopleRoom type  
Open**Dimensions (W × L × H)**

Exterior 2160 × 1150 × 2400 mm  
85.04 × 45.28 × 94.49 in.

Interior 2020 × 1010 × 2250 mm  
79.53 × 39.76 × 88.58 in

**Description**

This room for relaxing provide space for two people. It's equipped with dedicated furniture and accessories, finished with third-party fit-outs.

It is a part of Modular Lounge set – cozy areas for less-formal meet-ups and every casual occasion. Perfect for a waiting lounge, chill-out area, or gaming room.

**Colors****Construction**

Also available without electricity

|    |                                       |
|----|---------------------------------------|
| 4x | solid wall module 1010 mm / 39.76 in. |
| 2x | ceiling module                        |
| 1x | control panel                         |
| 1x | modular electric socket               |
| ✓  | overhanging ceiling profile           |
| ✓  | integrated linear lamp                |

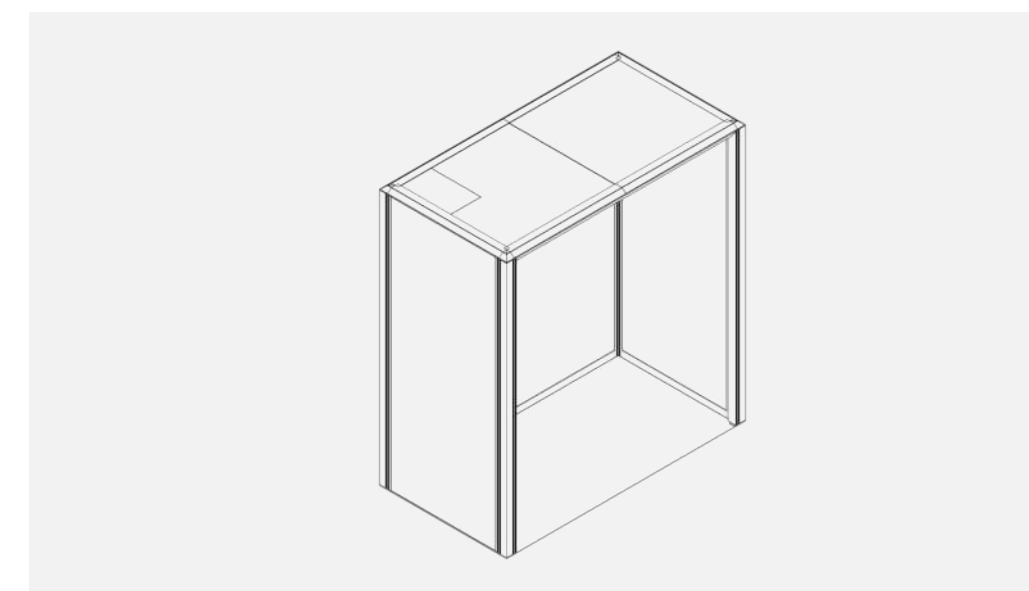
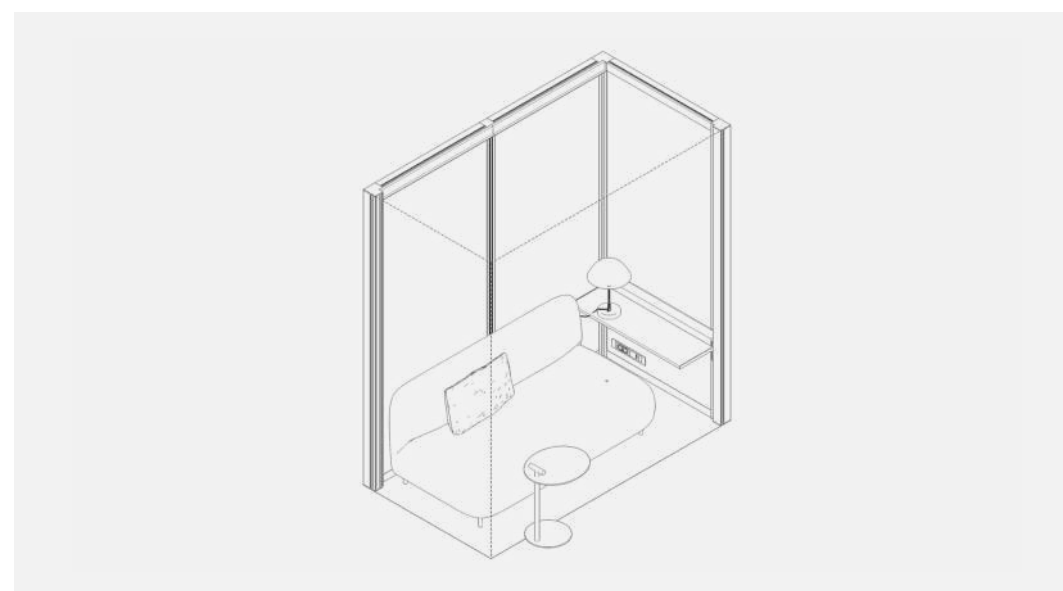
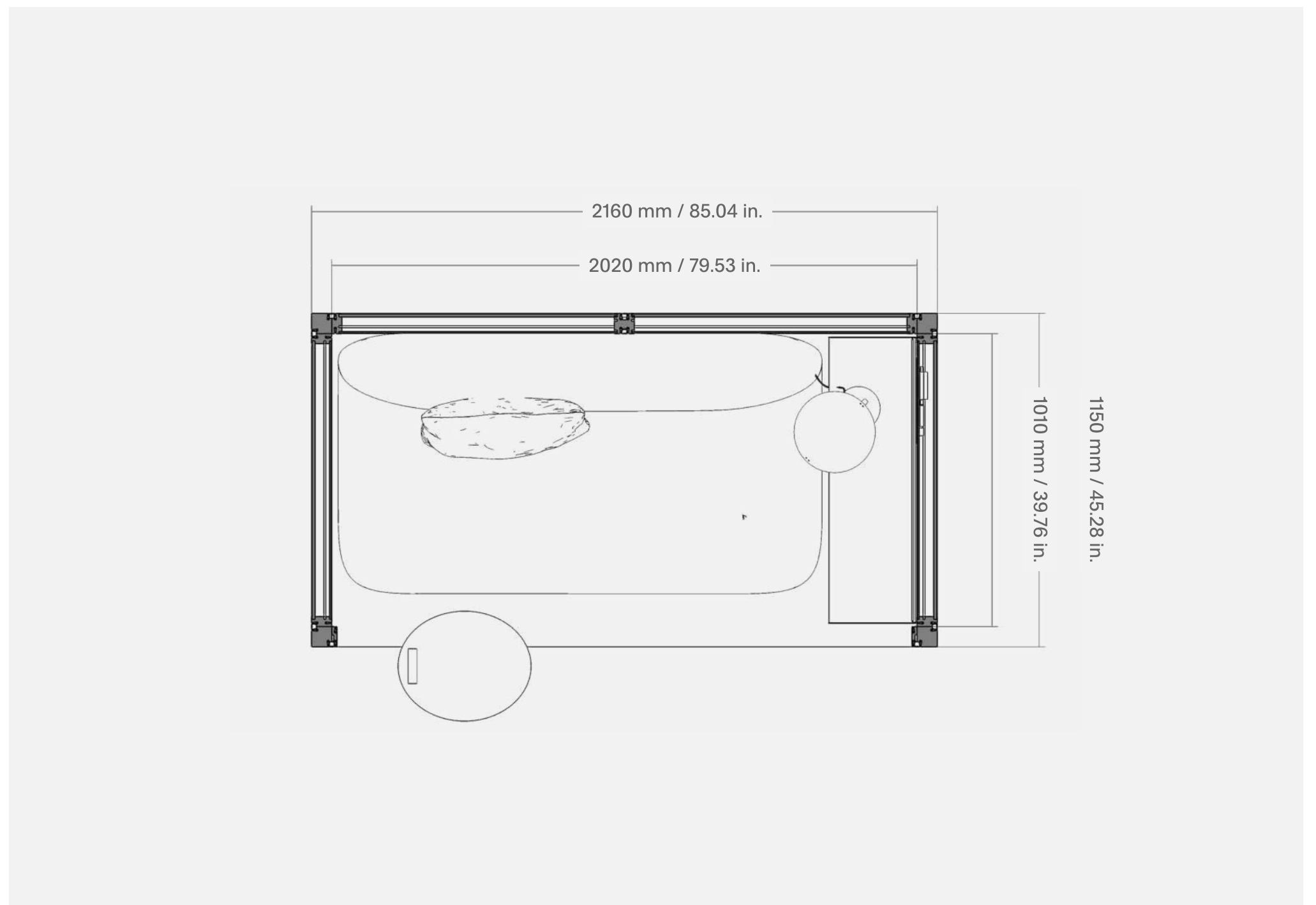
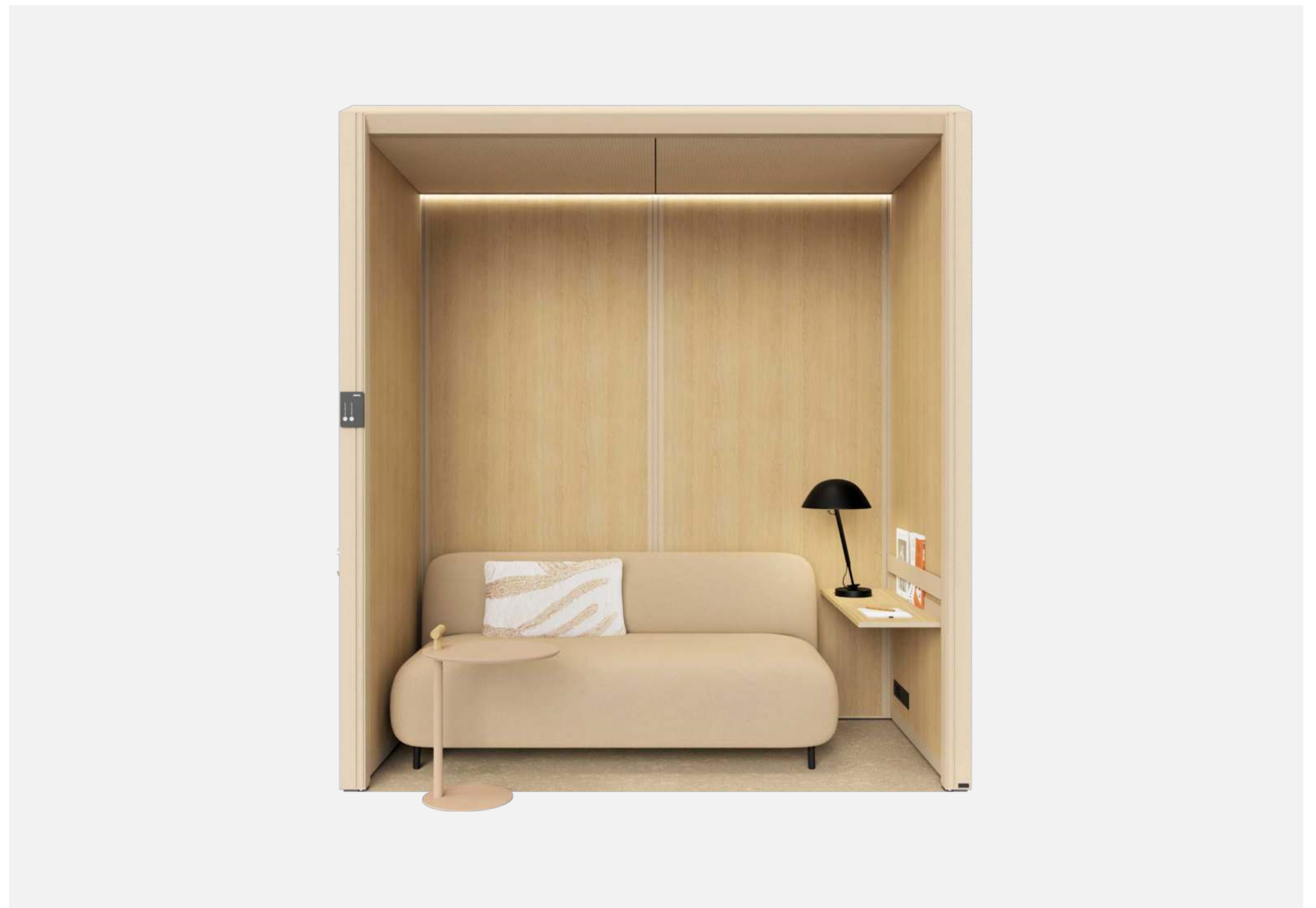
**System furniture and accessories**

|    |              |
|----|--------------|
| 1x | deep shelf   |
| 1x | display rail |
| 1x | whiteboard   |
| 4x | magnet       |

**Third party fit-out**

Listed products are purely exemplary and are not sold by Mute.

|    |                        |
|----|------------------------|
| 1x | sofa by Pedrali        |
| 1x | coffee table by Bulo   |
| 1x | table lamp by Westberg |



Interested in this unit?

Ask for an offer →

Need more options?

See all rooms →



Room like the one specified in this card can be combined into multifunctional hubs.

Elements of the Modular system may change.

Specification of the product will be verified while preparing an offer and may also be modified on the client's request.

# MUTE. Modular

The adaptable room-in-room system

|                          |                                 |                                |                              |                                |
|--------------------------|---------------------------------|--------------------------------|------------------------------|--------------------------------|
| Hub name<br><b>Hub 9</b> | Functions<br><b>Work + Meet</b> | Hub modular size<br><b>3x2</b> | Hub capacity<br><b>2 + 3</b> | Hub room types<br><b>O + O</b> |
|--------------------------|---------------------------------|--------------------------------|------------------------------|--------------------------------|

## Dimensions (W x L x H)

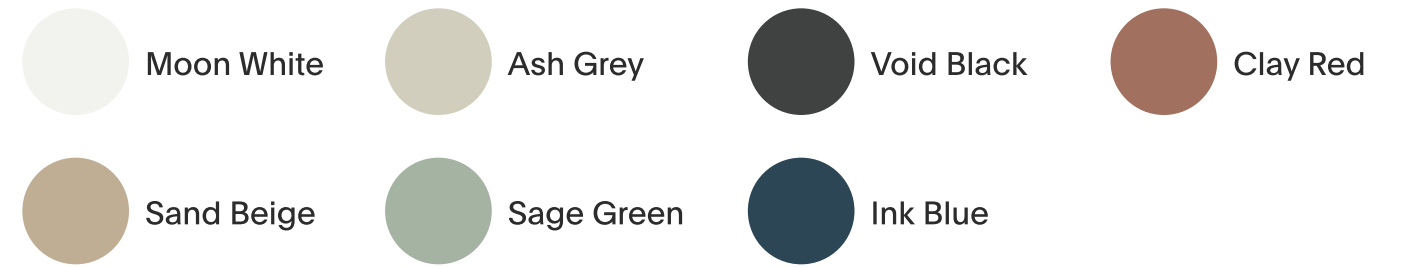
Exterior 3170 x 2230 x 2400 mm / 124.8 x 87.8 x 94.49 in.

## Description

Modular is a perfect solution for creating functional office Hubs. They can be arranged with workstations as hot desks zones or lounge areas, effectively separating office zones.

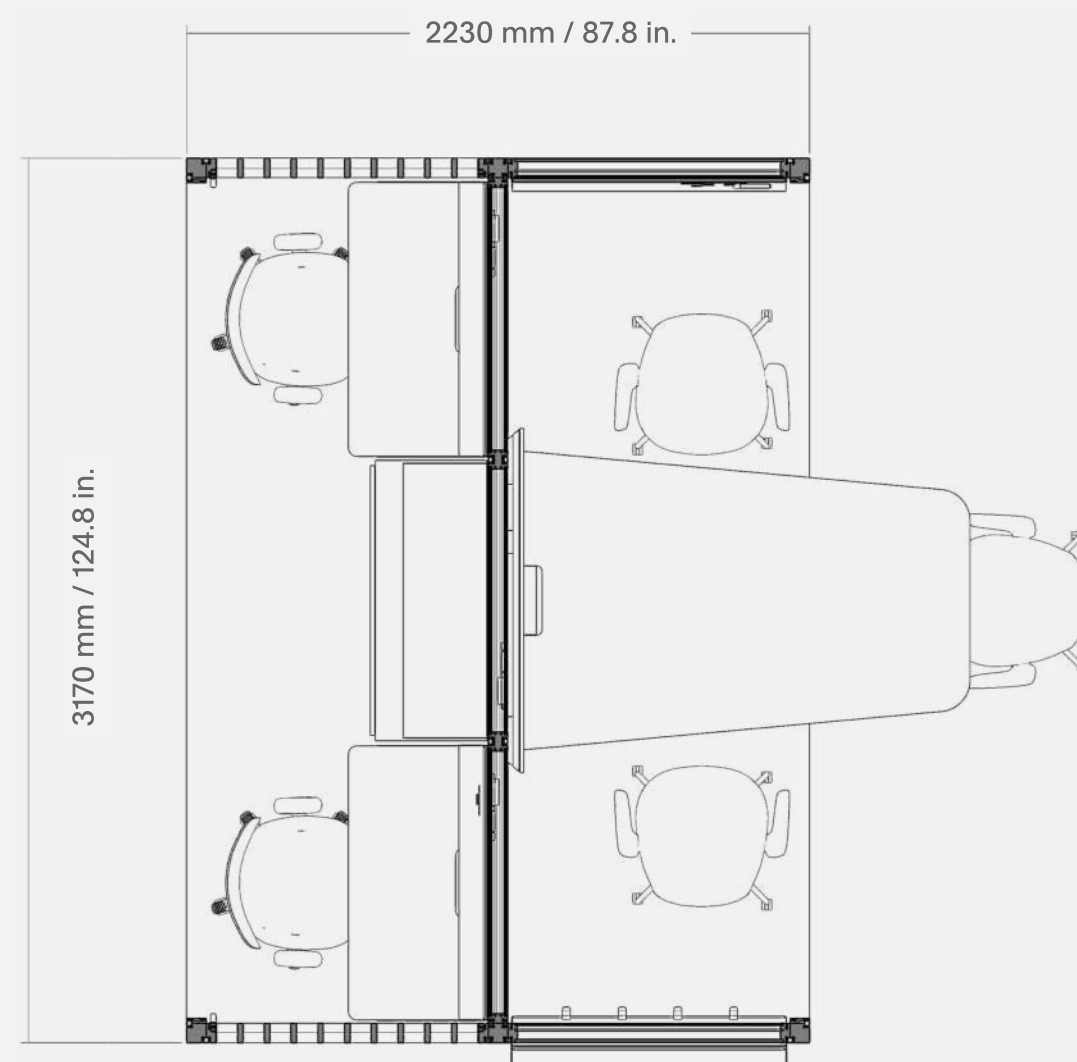
## Colors

This hub is available in 7 colors.



See single rooms of this hub on next pages

This visualization contains 3rd party products which are purely exemplary and are not sold by Mute.





Room name

# Work 3×1 p2.v1.O

Function  
WorkModular size  
3×1Capacity  
2 peopleRoom type  
Open

## Dimensions (W × L × H)

|          |                            |
|----------|----------------------------|
| Exterior | 3170 × 1150 × 2400 mm      |
|          | 124.80 × 45.28 × 94.49 in. |
| Interior | 3030 × 1010 × 2250 mm      |
|          | 119.29 × 39.76 × 88.58 in. |

## Description

This room for collaborative work provide space and calm for two people. It's equipped with dedicated furniture and accessories, finished with third-party fit-outs.

It is a part of Modular Work set – areas designed purposefully to offer comfort and privacy for the individual, focused work, or small collaborative sessions.

## Construction

Also available without electricity

|    |   |
|----|---|
| 3× | solid wall module 1010 mm / 39.76 in.   |
| 2× | slatted wall module 1010 mm / 39.76 in. |
| 3× | ceiling module                          |
| 2× | modular electric socket                 |
| 1× | control panel                           |
| ✓  | integrated linear lamp                  |
| ✓  | overhanging ceiling profile             |

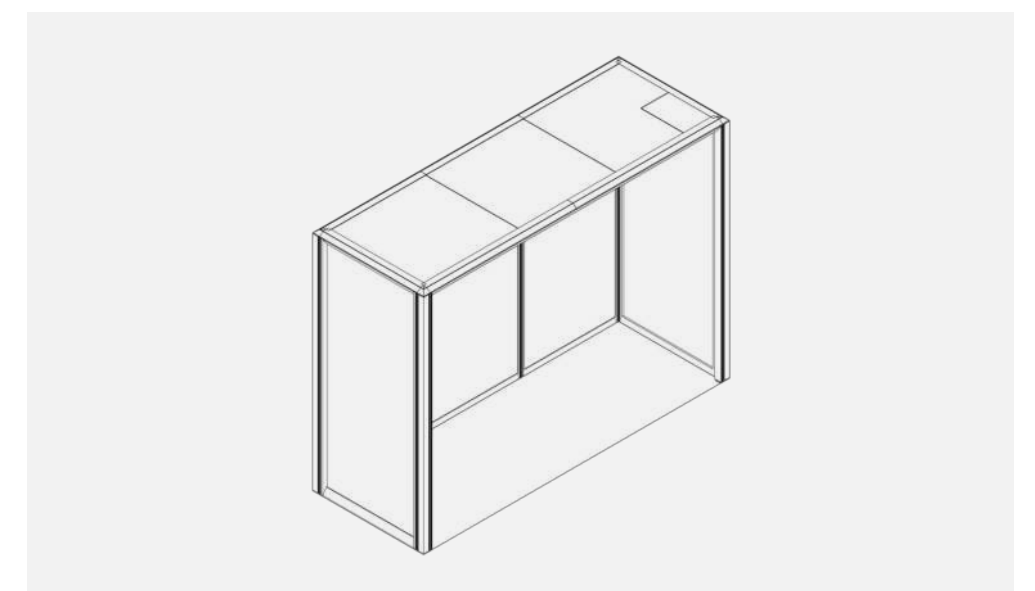
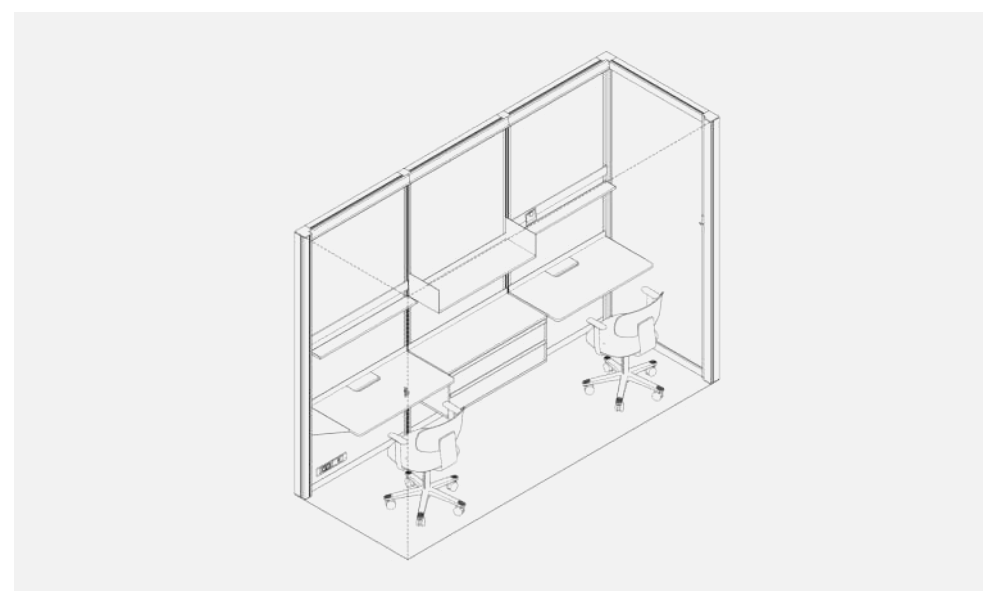
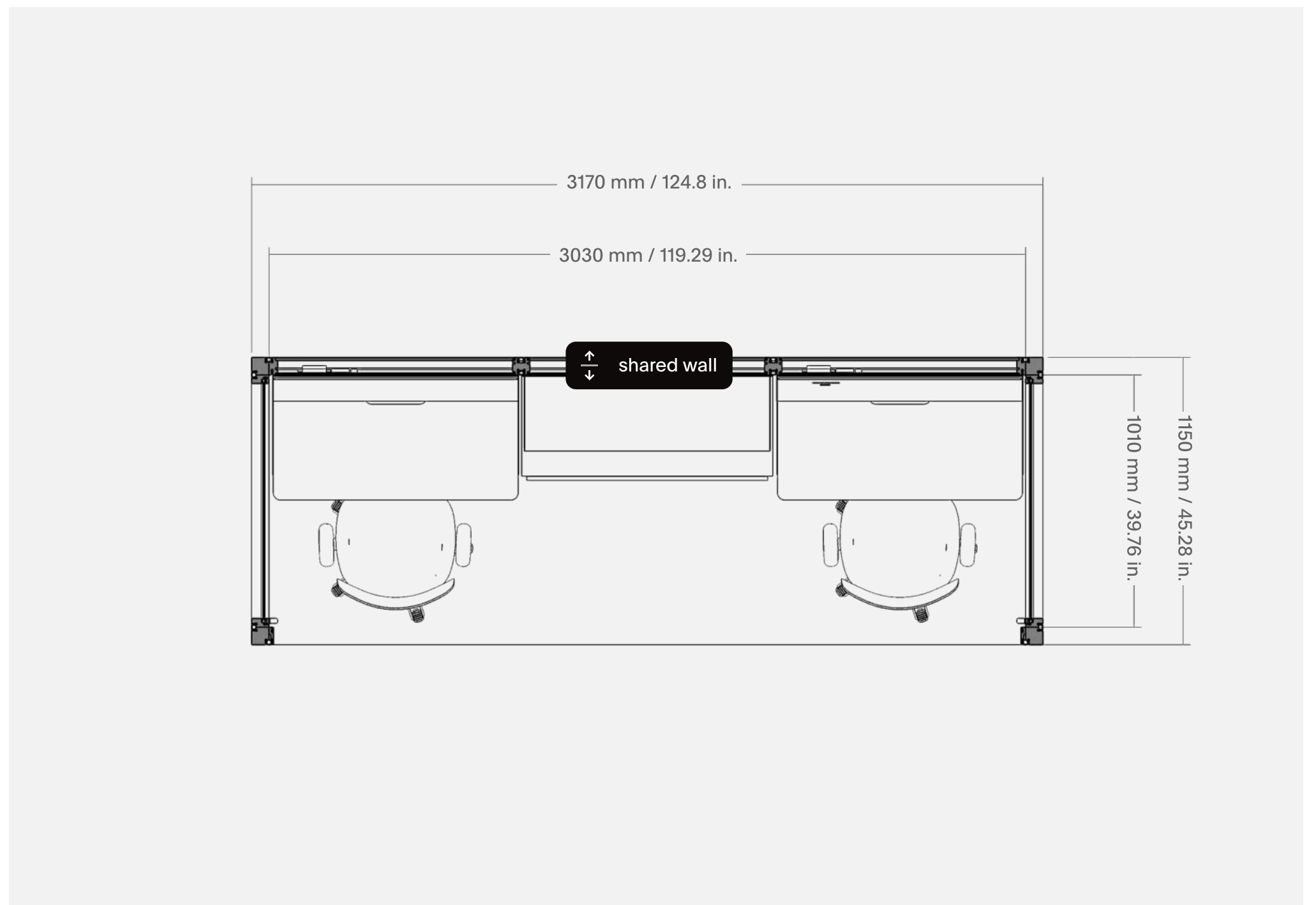
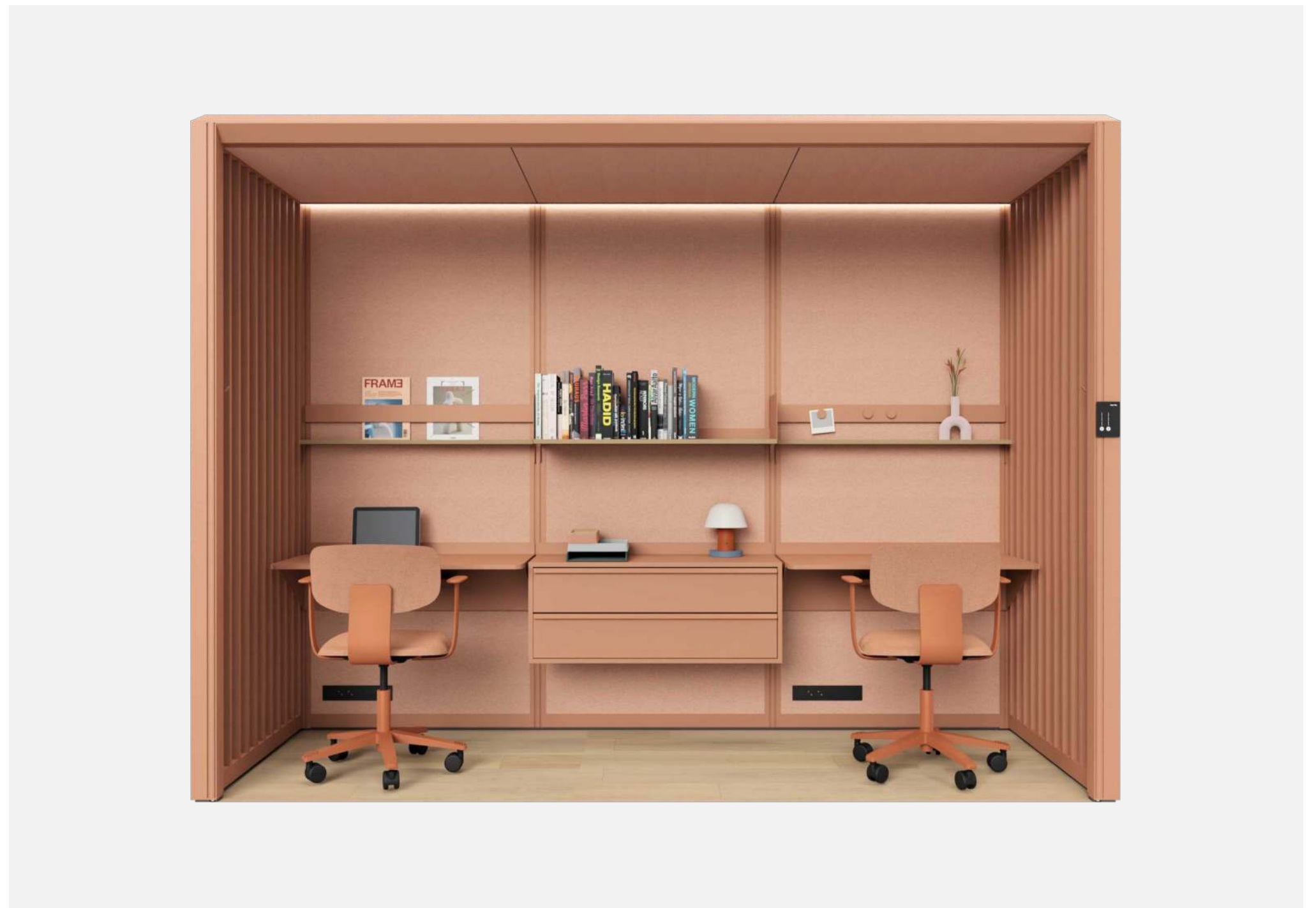
## System furniture and accessories

|    |                          |
|----|--------------------------|
| 2× | shallow shelf            |
| 1× | deep shelf with bookends |
| 1× | two-drawer cabinet       |
| 2× | desk                     |
| 2× | display rail             |
| 2× | magnet                   |
| 2× | wall hook                |

## Third party fit-out

Listed products are purely exemplary and are not sold by Mute.

|    |                    |
|----|--------------------|
| 2× | chair by Håg       |
| 1× | lamp by &Tradition |



Interested in this unit?

Ask for an offer →

Need more options?

See all rooms →



Room like the one specified in this card can be combined into multifunctional hubs.

Elements of the Modular system may change.

Specification of the product will be verified while preparing an offer and may also be modified on the client's request.



Room name

# Meet 3x1 p3.v1.O

Function  
MeetModular size  
3x1Capacity  
3 peopleRoom type  
Open**Dimensions (W × L × H)**

Exterior 3170 × 1150 × 2400 mm  
124.80 × 45.28 × 94.49 in.

Interior 3030 × 1010 × 2250 mm  
119.29 × 39.76 × 88.58 in.

**Description**

This room for meetups provide space up to 3 people. It's equipped with dedicated furniture and accessories, finished with third-party fit-outs.

It is a part of Modular Meet set – places in plenty of sizes and capacities to host any gathering: team meet-ups, brainstorm, workshops, small talks, and more.

**Construction**

Also available without electricity

|    |   |
|----|---|
| 3x | solid wall module 1010 mm / 39.76 in.   |
| 2x | slatted wall module 1010 mm / 39.76 in. |
| 3x | ceiling module                          |
| 2x | modular electric socket                 |
| 1x | control panel                           |
| ✓  | integrated linear lamp                  |
| ✓  | overhanging ceiling profile             |

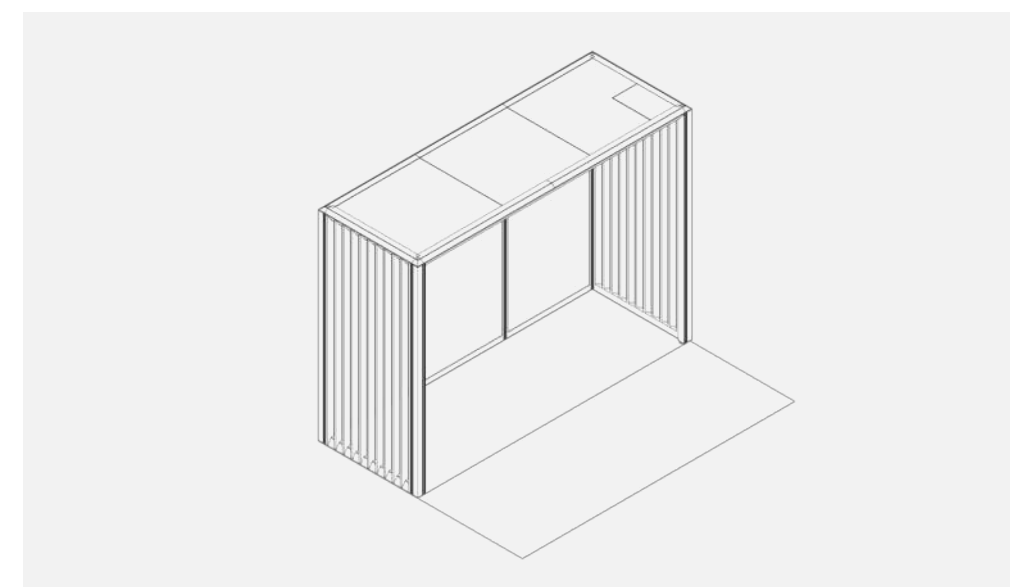
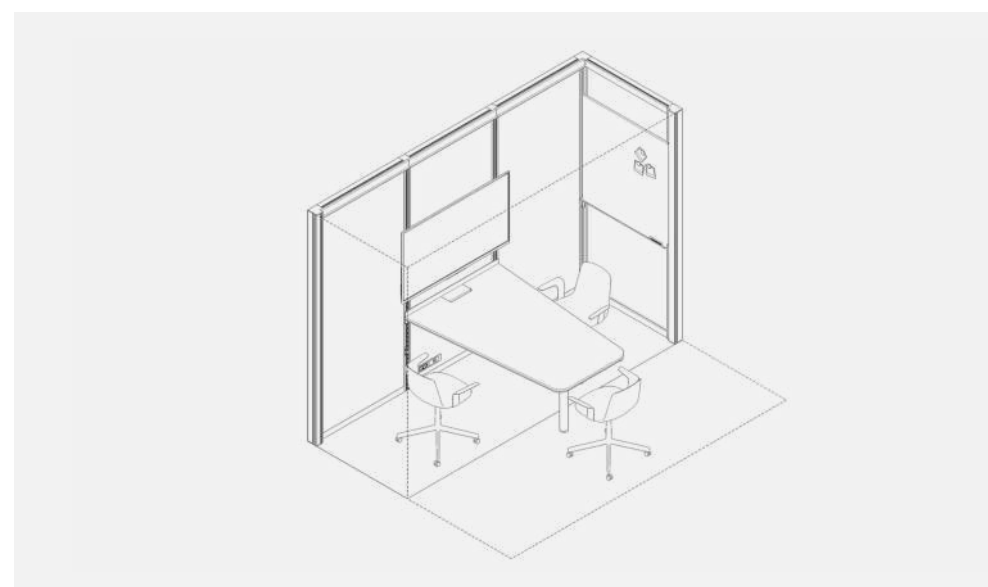
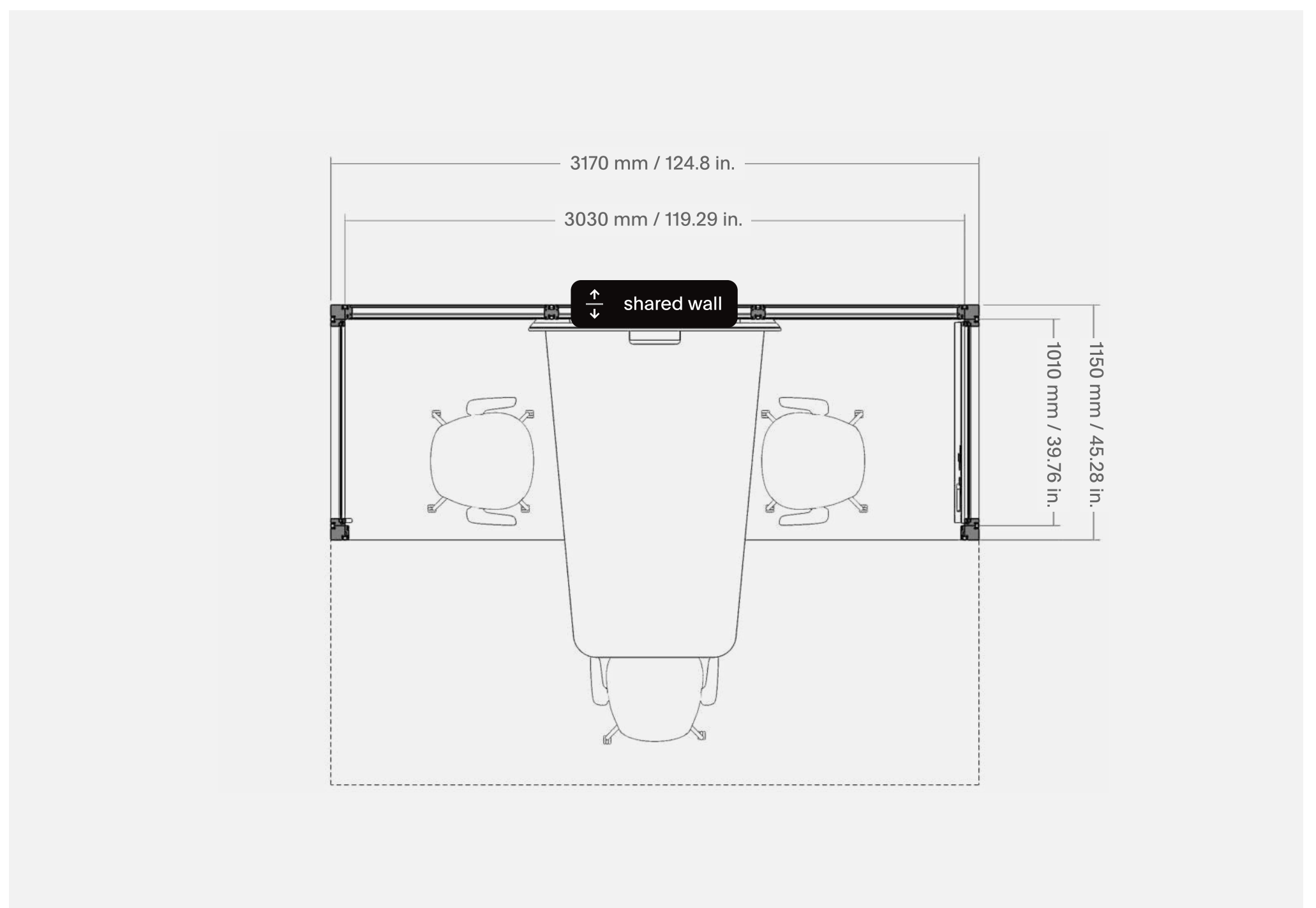
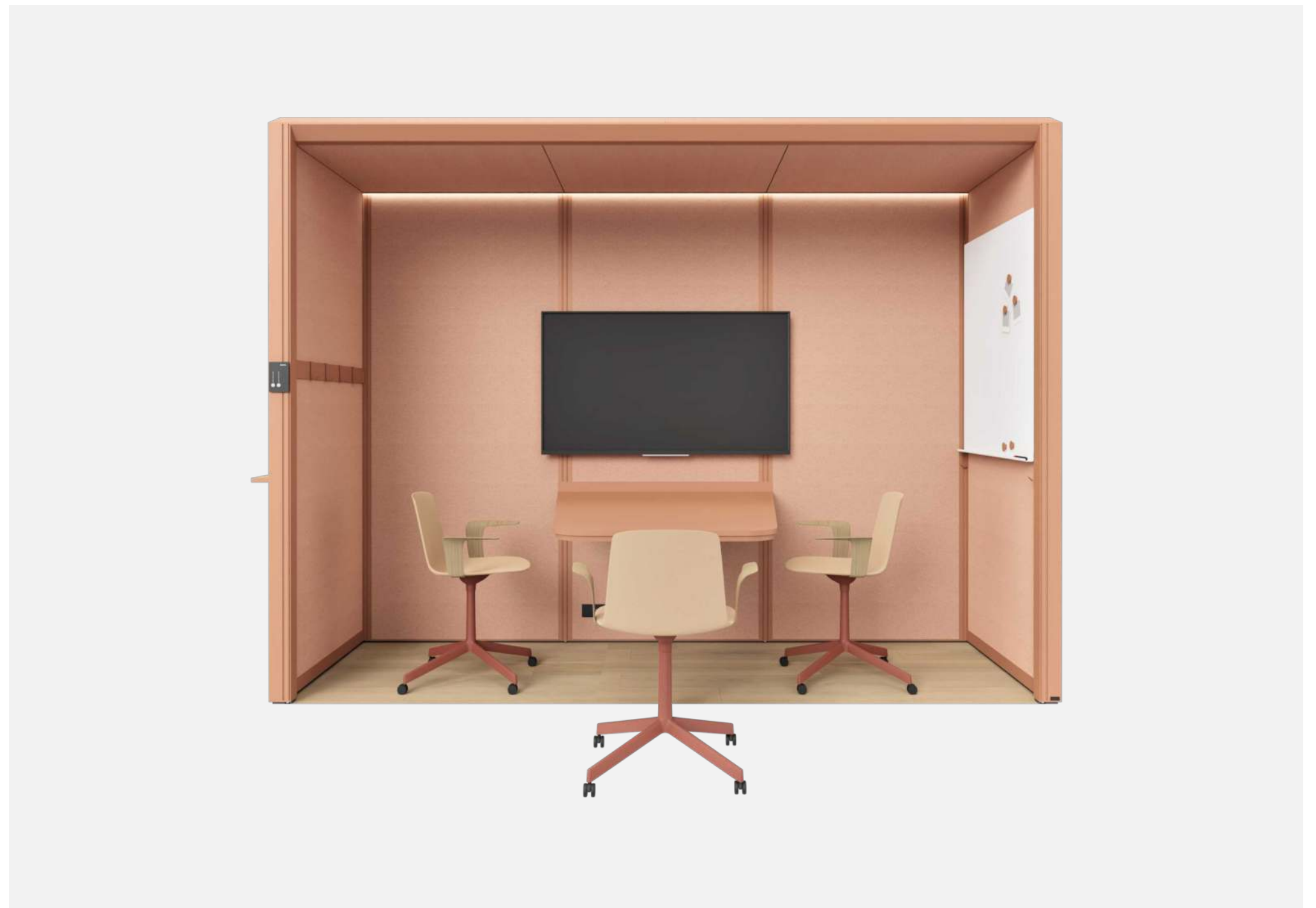
**System furniture and accessories**

|    |                          |
|----|--------------------------|
| 1x | low table for 3-5 people |
| 1x | TV hanger                |
| 2x | wall hook                |
| 1x | whiteboard               |
| 4x | magnet                   |
| 4x | display rail hook        |
| 1x | display rail             |

**Third party fit-out**

Listed products are purely exemplary and are not sold by Mute.

|    |                            |
|----|----------------------------|
| 3x | chair with castors by Enea |
|----|----------------------------|



Interested in this unit?

Ask for an offer →

Need more options?

See all rooms →



Room like the one specified in this card can be combined into multifunctional hubs.

Elements of the Modular system may change.

Specification of the product will be verified while preparing an offer and may also be modified on the client's request.

MUTE.

# Modular

The adaptable room-in-room system

Hub name  
**Hub 10**

Functions  
**Work + Support**

Hub modular size  
**3x1,5**

Hub capacity  
**2 + x**

Hub room types  
**O + O**

**Dimensions (W x L x H)**

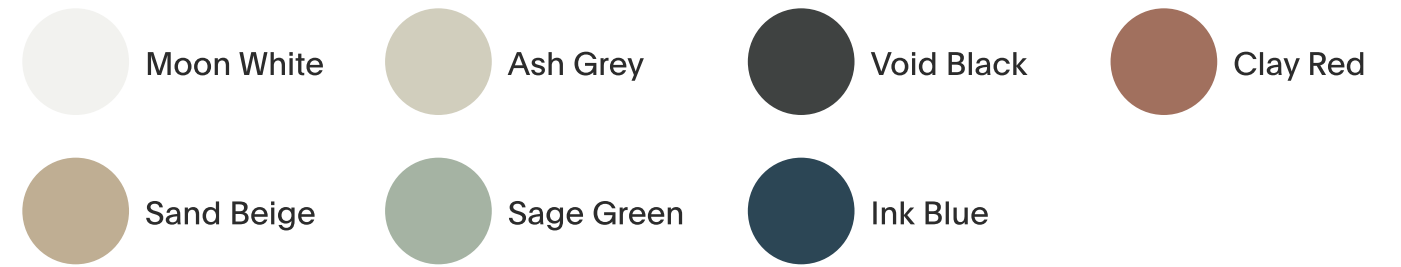
Exterior 3170 x 1725 x 2400 mm / 124.8 x 67.91 x 94.49 in.

**Description**

Modular is a perfect solution for creating functional office Hubs. They can be arranged with workstations as hot desks zones or lounge areas, effectively separating office zones.

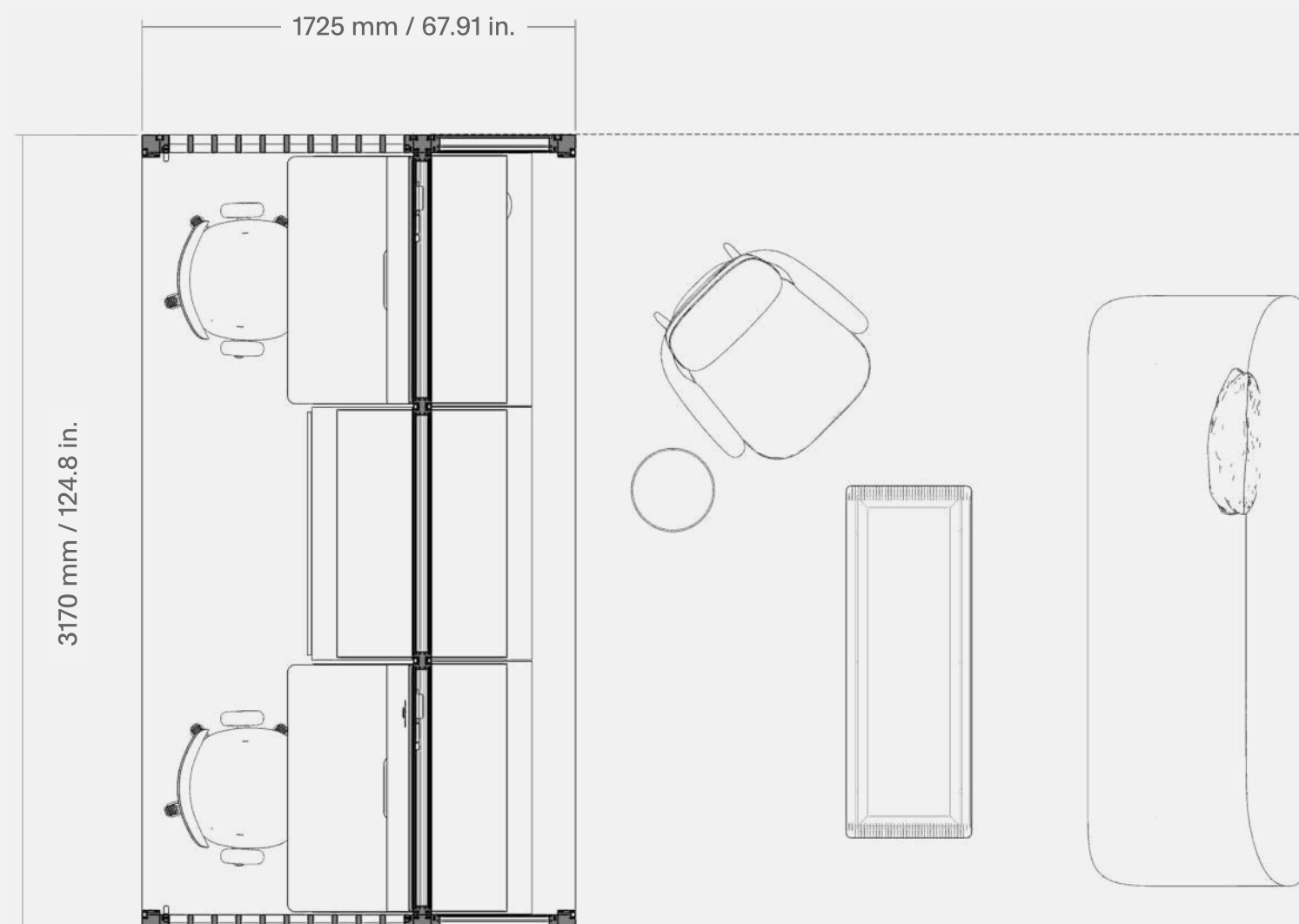
**Colors**

This hub is available in 7 colors.



See single rooms of this hub on next pages

This visualization contains 3rd party products which are purely exemplary and are not sold by Mute.





Room name

# Work 3×1 p2.v1.O

Function  
WorkModular size  
3×1Capacity  
2 peopleRoom type  
Open**Dimensions (W × L × H)**

|          |                            |
|----------|----------------------------|
| Exterior | 3170 × 1150 × 2400 mm      |
|          | 124.80 × 45.28 × 94.49 in. |
| Interior | 3030 × 1010 × 2250 mm      |
|          | 119.29 × 39.76 × 88.58 in. |

**Description**

This room for collaborative work provide space and calm for two people. It's equipped with dedicated furniture and accessories, finished with third-party fit-outs.

It is a part of Modular Work set – areas designed purposefully to offer comfort and privacy for the individual, focused work, or small collaborative sessions.

**Construction**

Also available without electricity

|    |  |
|----|--|
| 3× | solid wall module 1010 mm / 39.76 in.            |
| 2× | perforated metal wall module 1010 mm / 39.76 in. |
| 3× | ceiling module                                   |
| 2× | modular electric socket                          |
| 1× | control panel                                    |
| ✓  | integrated linear lamp                           |
| ✓  | overhanging ceiling profile                      |

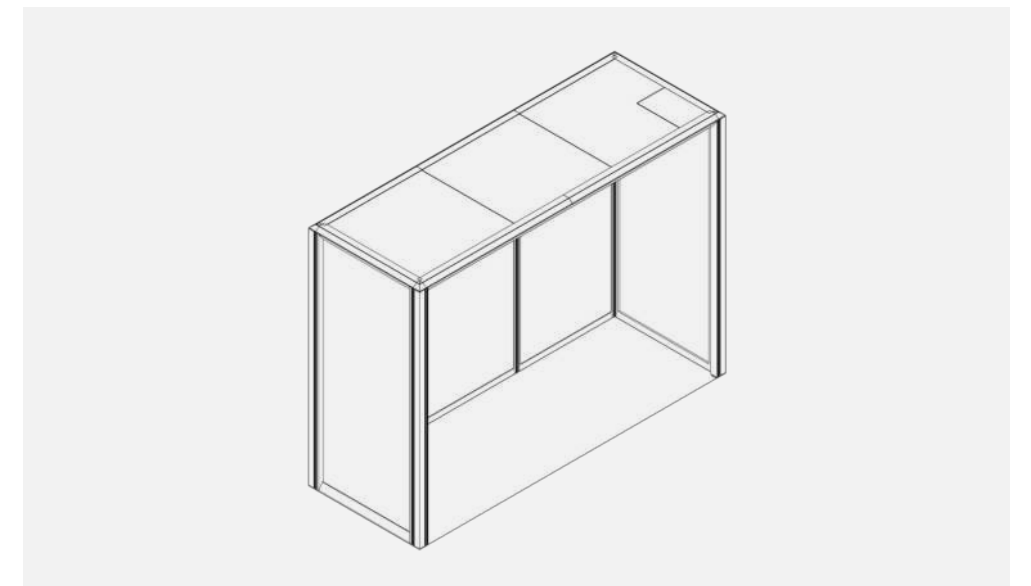
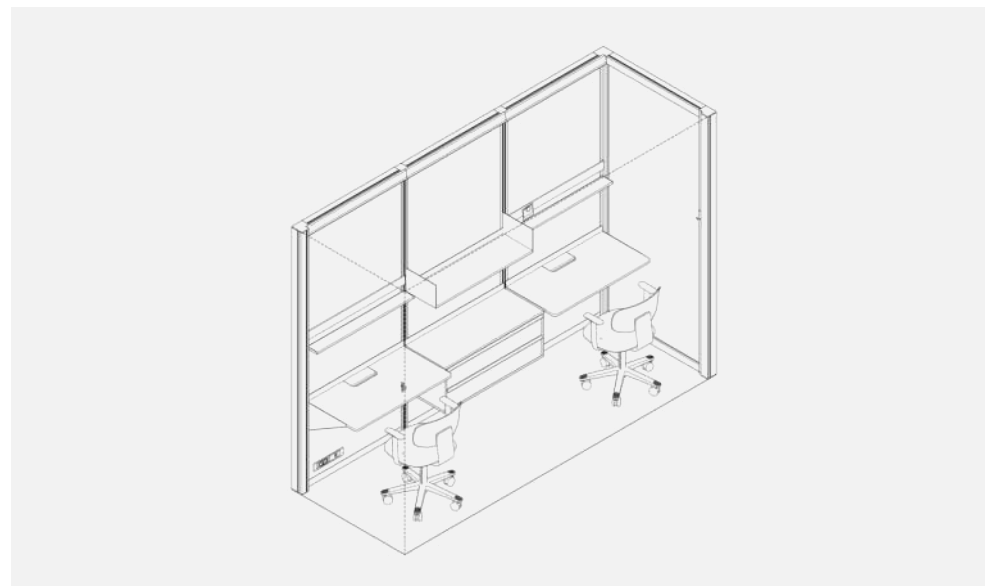
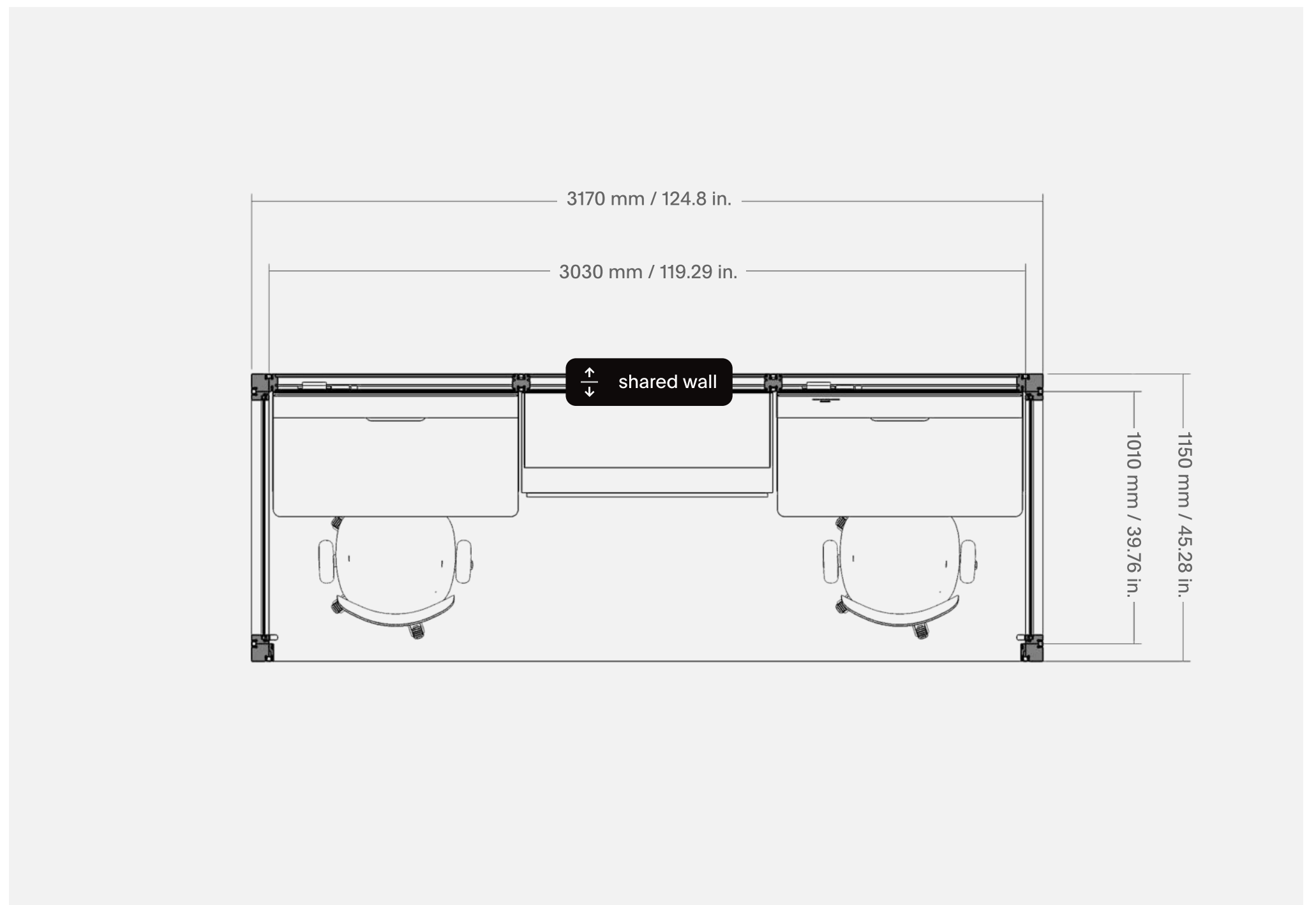
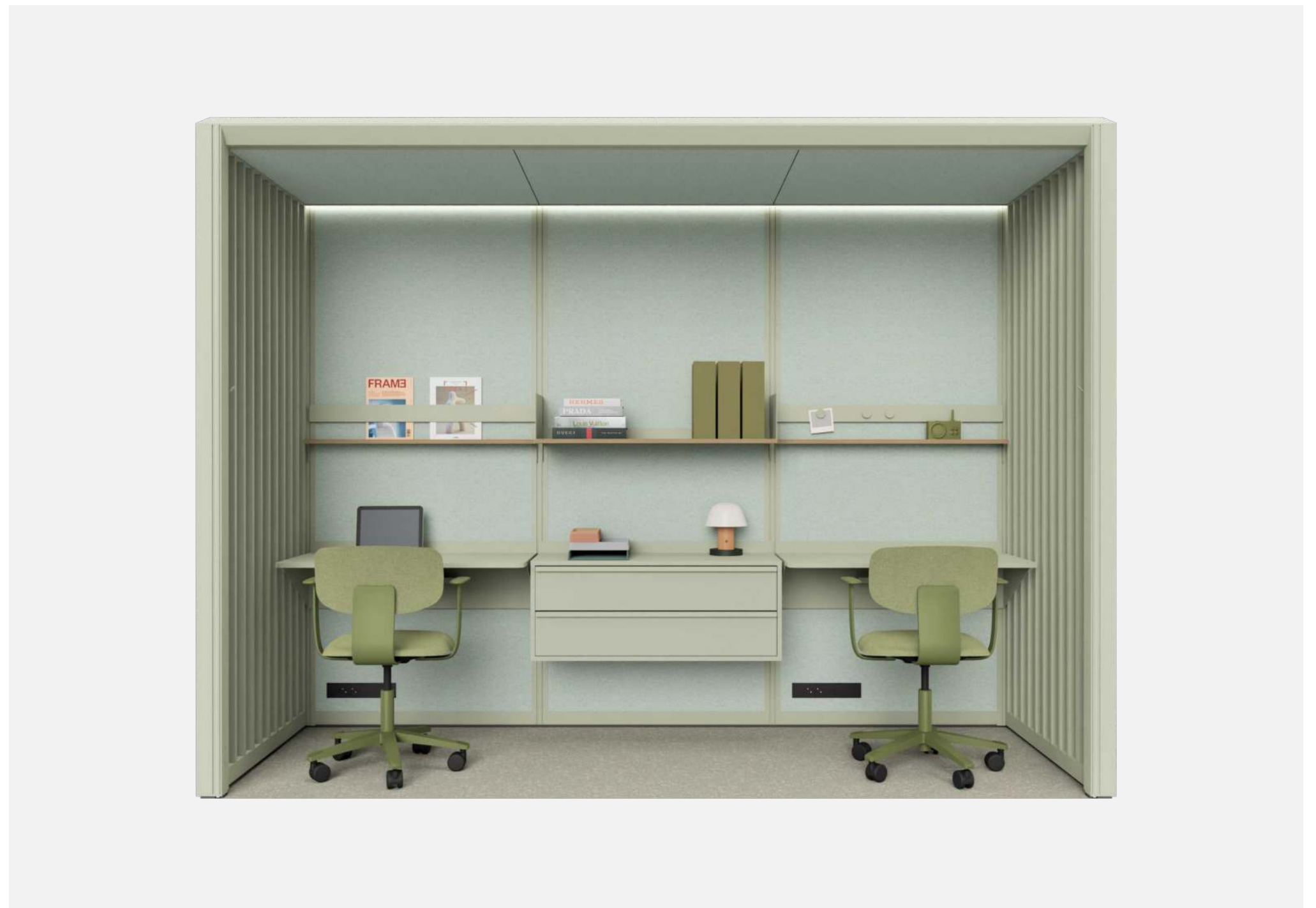
**System furniture and accessories**

|    |                          |
|----|--------------------------|
| 2× | shallow shelf            |
| 1× | deep shelf with bookends |
| 1× | two-drawer cabinet       |
| 2× | desk                     |
| 2× | display rail             |
| 2× | magnet                   |
| 2× | wall hook                |

**Third party fit-out**

Listed products are purely exemplary and are not sold by Mute.

|    |                    |
|----|--------------------|
| 2× | chair by Håg       |
| 1× | lamp by &Tradition |



Interested in this unit?

Ask for an offer →

Need more options?

See all rooms →

Room like the one specified in this card can be combined into multifunctional hubs.

Elements of the Modular system may change.

Specification of the product will be verified while preparing an offer and may also be modified on the client's request.



Room name  
**Support 3×0,5 v2.0**

Function  
**Support**

Modular size  
**3×0,5**

Capacity  
**-**

Room type  
**Open**

**Dimensions (W × L × H)**

Exterior 3170 × 645 × 2400 mm  
124.80 × 25.39 × 94.49 in.  
Interior 3030 × 505 × 2250 mm  
119.29 × 19.88 × 88.58 in.

**Description**

This room for facilitating office work provide space and functionality. It's equipped with dedicated furniture and accessories, finished with third-party fit-outs.

It is a part of Modular Support, set – multi-functional areas created for back-office functions such as storage, cloakroom, coffee corner, or copy point.

**Construction**

Also available without electricity

|    |                                       |
|----|---------------------------------------|
| 3× | solid wall module 1010 mm / 39.76 in. |
| 2× | solid wall module 505 mm / 19.88 in.  |
| 3× | ceiling module                        |
| 1× | modular electric socket               |
| 1× | control panel                         |
| √  | integrated linear lamp                |
| √  | overhanging ceiling profile           |

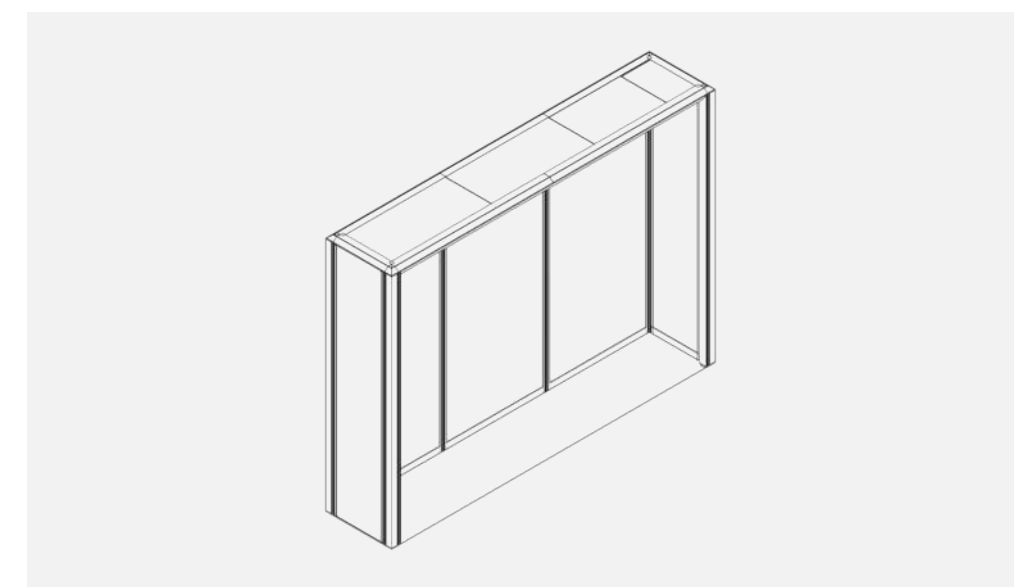
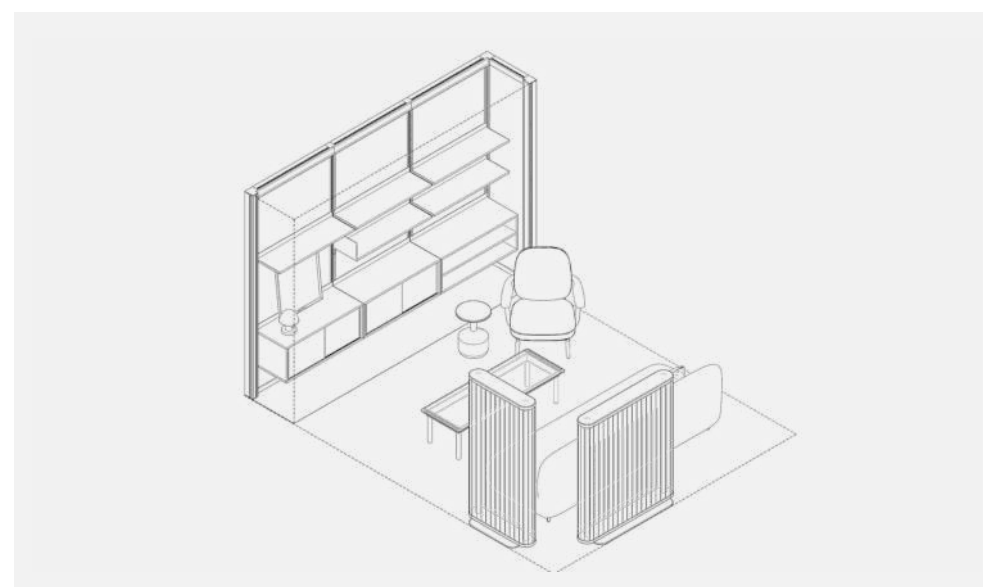
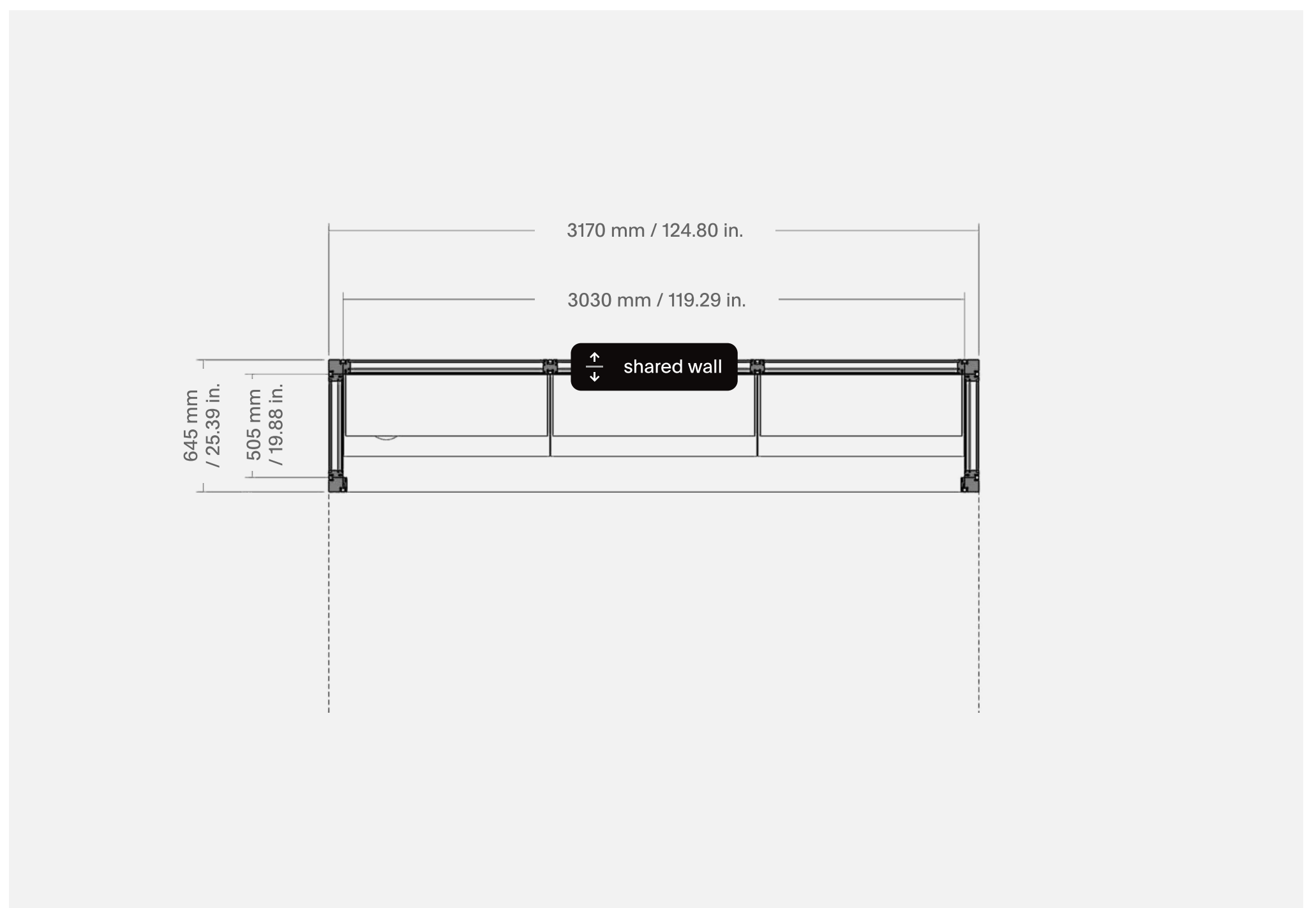
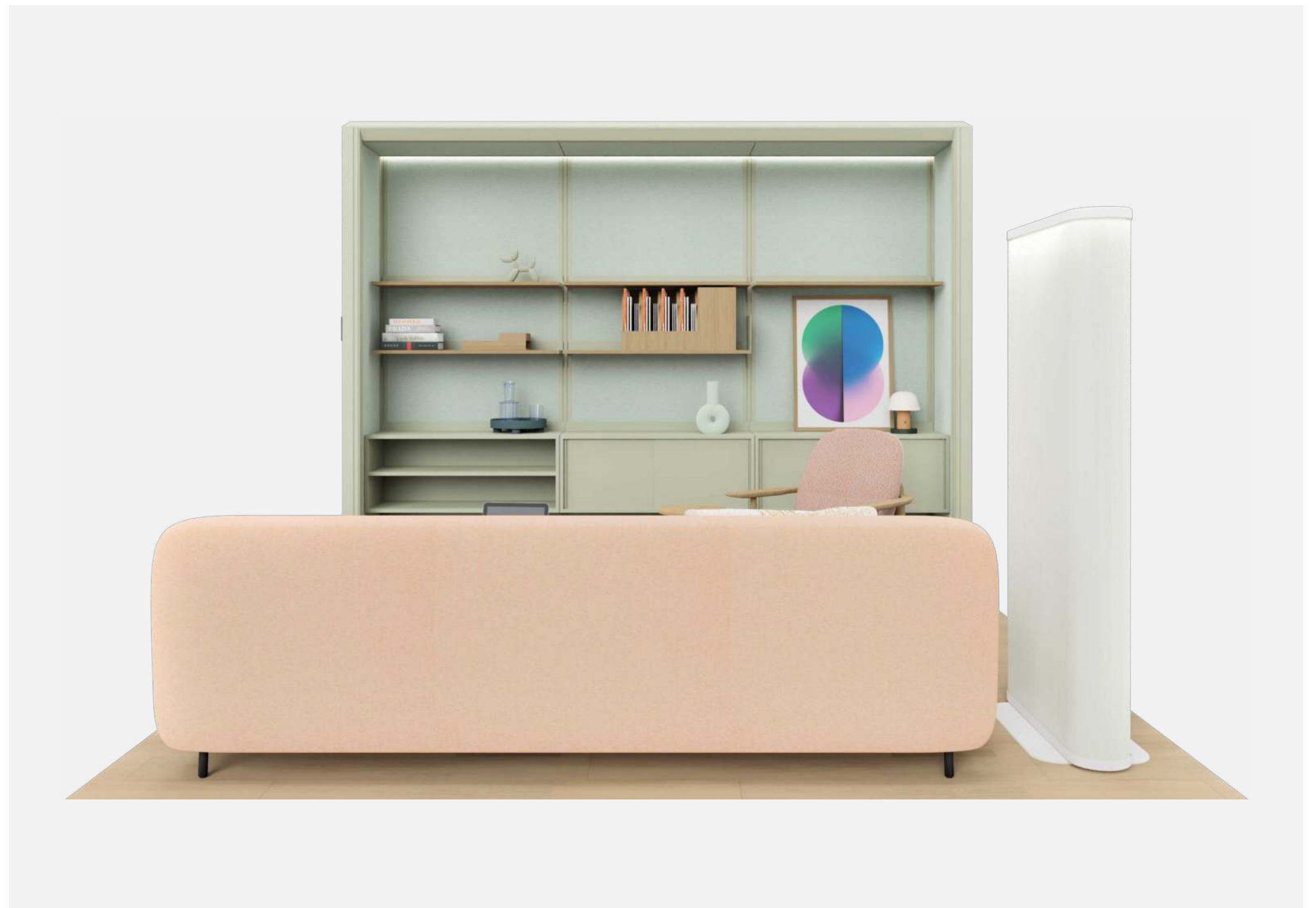
**System furniture and accessories**

|    |                               |
|----|-------------------------------|
| 4× | deep shelf                    |
| 1× | open shelf cabinet            |
| 2× | sliding door cabinet          |
| 1× | deep shelf with right bookend |
| 1× | display stand                 |

**Third party fit-out**

Listed products are purely exemplary and are not sold by Mute (except lamps by Mute).

|    |                              |
|----|------------------------------|
| 1× | sofa by Pedrali              |
| 1× | lounge chair by Fritz Hansen |
| 1× | coffee table by Hay          |
| 1× | side table by Miniforms      |
| 2× | Mist lamp by Mute            |



Interested in this unit?

Ask for an offer →

Need more options?

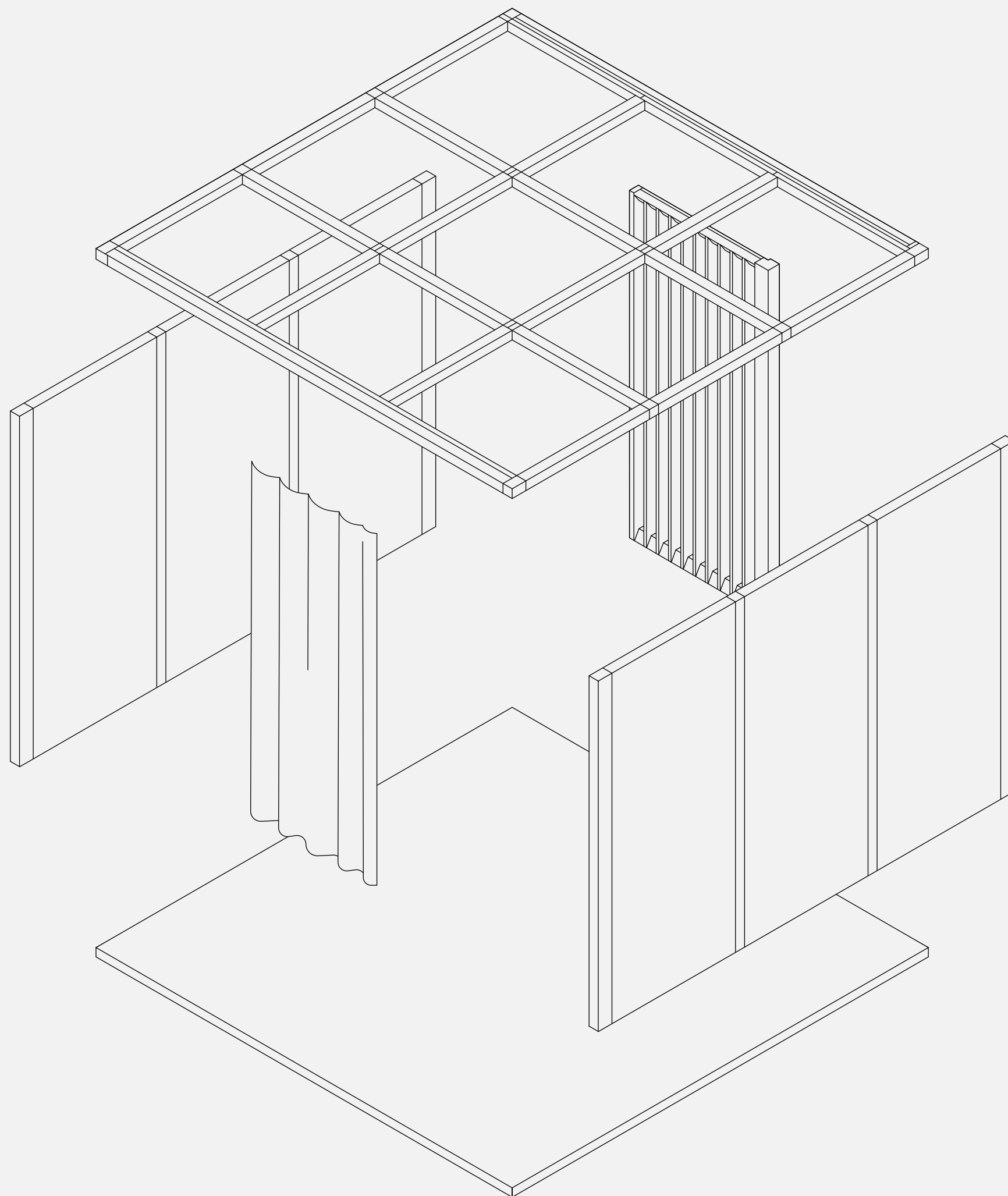
See all rooms →



Room like the one specified in this card can be combined into multifunctional hubs.

Elements of the Modular system may change.

Specification of the product will be verified while preparing an offer and may also be modified on the client's request.



**Didn't find the perfect room?**

[Tell us your needs →](#)



**Inspire. Create. Deliver.**