



Ovation

Specification Guide

Ovation

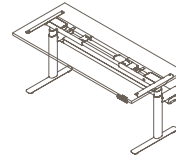
The Ovation Height-Adjustable Workstation System is the latest table system from Thinking Works.

It's unique oval profile and design elements provide countless possibilities and flexibility to suit any workplace environment.

Ovation

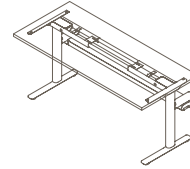
Electric

6-9



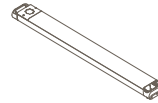
Fixed Height

10-14



Accessories

15-25



Safety Features

26



Ovation

Ovation Finishes

1. Frame Powdercoat

All steel frame is available in Noir and Blanc powdercoat.



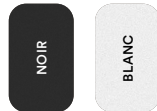
2. Cable Tray

Aluminium cable management tray is available in Noir and Blanc powdercoat.



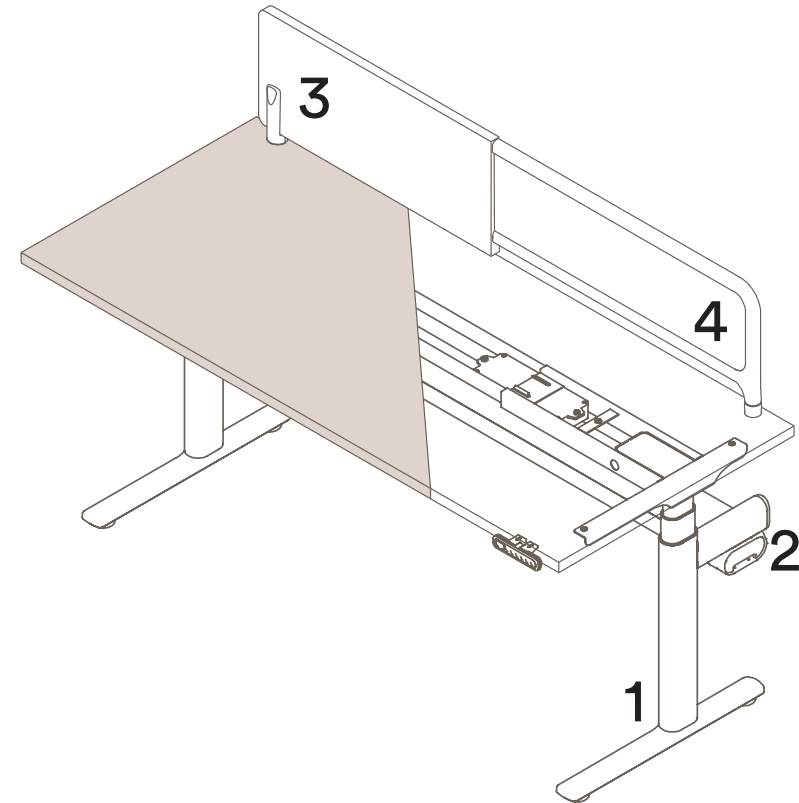
3. Acoustic Screen

Our Ovation screen is available in Dark Grey and Light Grey acoustic panel. Screen mounts are finished in Noir and Blanc powdercoat.



4. Framed Acoustic Screen

Our unique Ovation framed screen is available in Dark Grey and Light Grey acoustic panel or upholstered with customer supplied fabric. The aluminium frame is finished in Noir and Blanc powdercoat.



Colours are representative only, please check with your Thinking Works consultant to view samples of any specific colour.

Ovation - Electric Features

Dimensions

Minimum Height	590mm
Maximum Height	1210mm

(Dimensions to underside of worktop)

Weight Capacity 2 leg	100kg
Weight Capacity 3 Leg	150kg

(Evenly Distributed Load including worktop)

(Maximum Point Load 30kg)

Functions

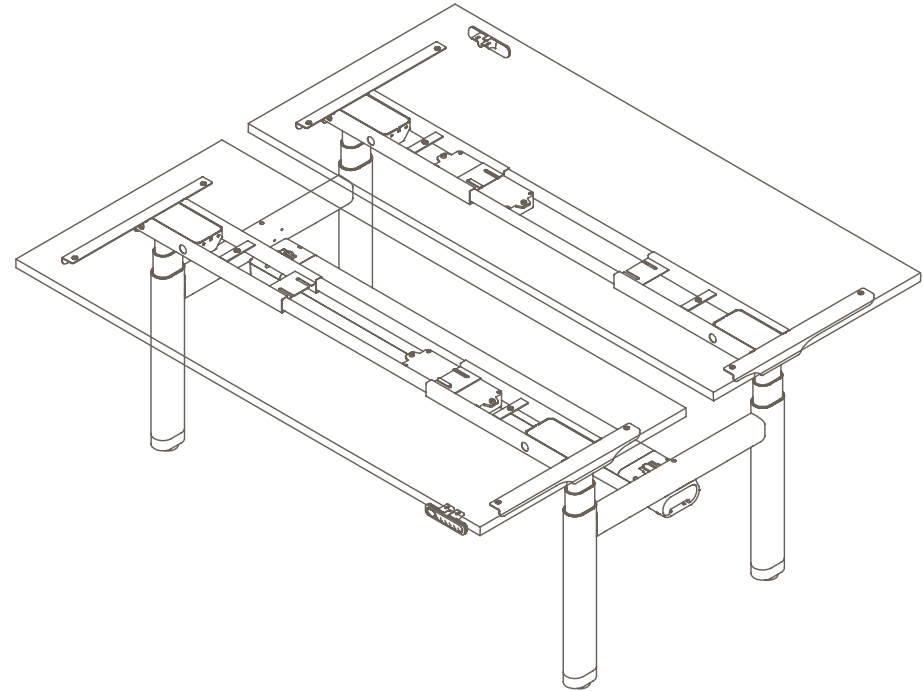
- 3 programmable height settings with Electronic Display
- Built-in Impact Stop Function
- 3 Stage lifting Column with Spindle Drive
- Travel Speed = 35mm/Second
- Noise <50dB
- Standby power consumption 0.5W

Warranty

Electric Frame	10yrs
Electrical Components	5yrs

Country of Origin

Australia



For additional Technical Information, please check with your local Thinking Works consultant.

Ovation - Electric Single Sided

Materials Information

Frame Finish

Powdercoat Steel

- a. Noir
- b. Blanc

Control Box & Handset Finish

- a. Black

Operating Noise Level

<50Db

Height Range

590mm to 1210mm to underside of worktop

Travel Speed

35/mm per second

Glide Adjustment

Plus or minus 5mm

Handset

3 programmable height settings with electronic display

Maximum inc. worktop 100kg
 Maximum Point Load 30kg
 Seats 1

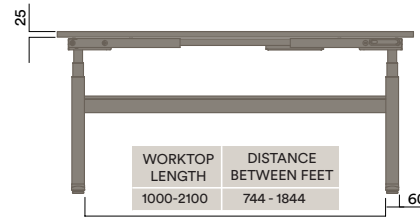
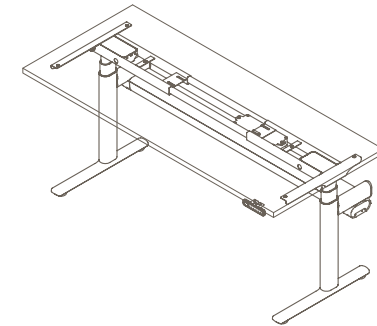
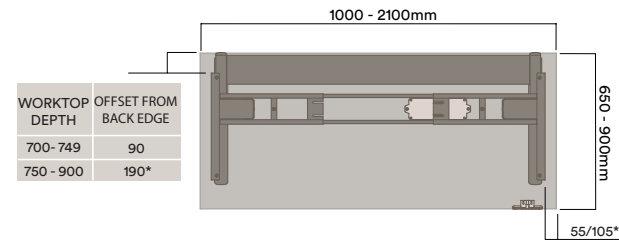
Notes:

* Larger rear offset is optional & can be used for additional accessories.

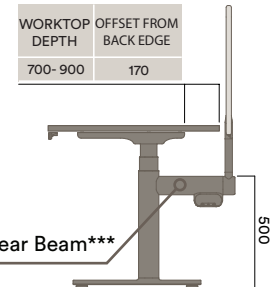
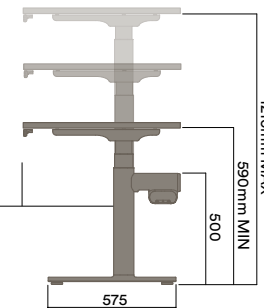
**Side Offset can vary depending on screen size.

***TW recommends longer rear beam of OV-0506 when used with frame mounted rear screen.

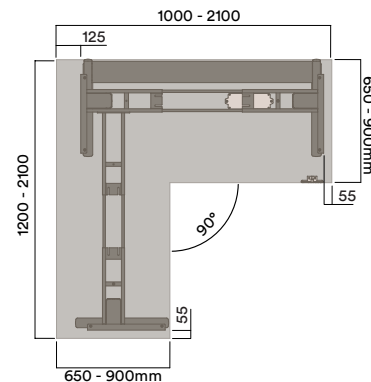
OVE-1000



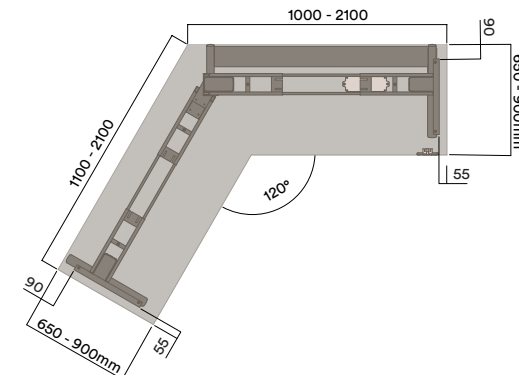
WORKTOP DEPTH	FRONT EDGE TO LEG
700	405
800	405
900	505



OVE-1090 1pax 90deg



OVE-1120 1pax 120deg



Ovation - Electric Double Sided

Materials Information

Frame Finish

Powdercoat Steel

- a. Noir
- b. Blanc

Control Box & Handset Finish

- a. Black

Operating Noise Level

<50Db

Height Range

590mm to 1210mm to underside of worktop

Travel Speed

35/mm per second

Glide Adjustment

Plus or minus 5mm

Handset

3 programmable height settings with electronic display

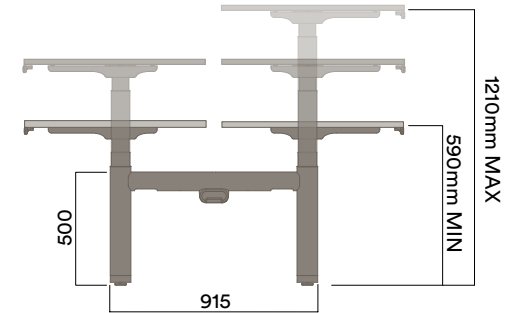
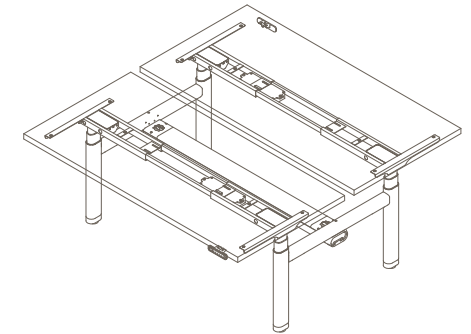
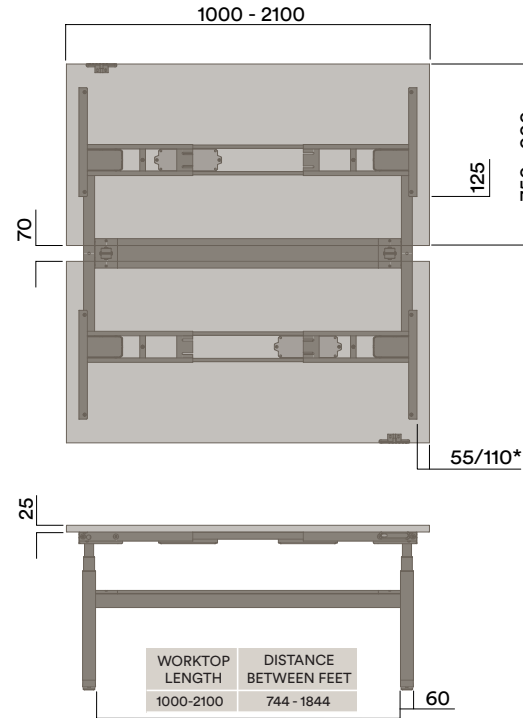
Maximum inc. worktop 150kg

Maximum Point Load 30kg

Seats 2

OVE-2000 2pax

H-Frame

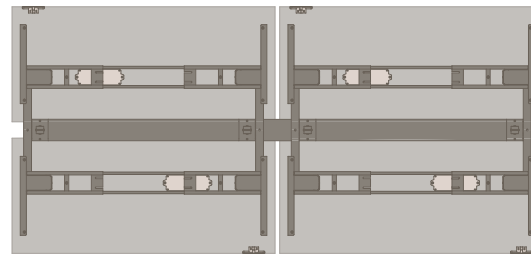


2x OVE-2000

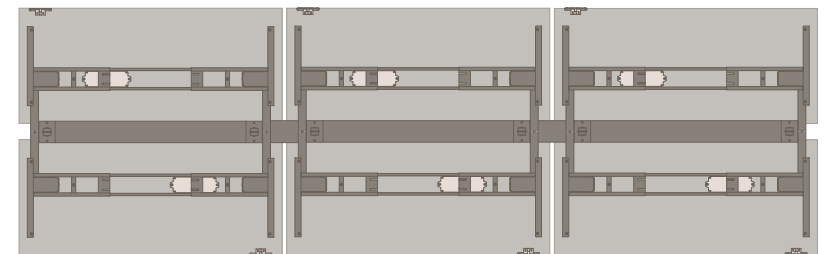
4pax Configuration

3x OVE-2000

6pax Configuration



MIN. 30mm



MIN. 30mm

Notes:

*Side Offset can vary depending on screen size.

** Cable Tray required on all H-frame configurations

Ovation - Electric Double Sided

Materials Information

Frame Finish

Powdercoat Steel

- a. Noir
- b. Blanc

Control Box & Handset Finish

- a. Black

Operating Noise Level

<50Db

Height Range

590mm to 1210mm to underside of worktop

Travel Speed

35/mm per second

Glide Adjustment

Plus or minus 5mm

Handset

3 programmable height settings with electronic display

Maximum inc. worktop	150kg
Maximum Point Load	30kg
Seats	3 - 4

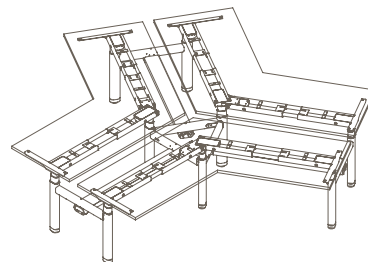
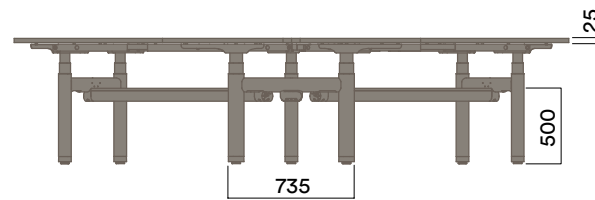
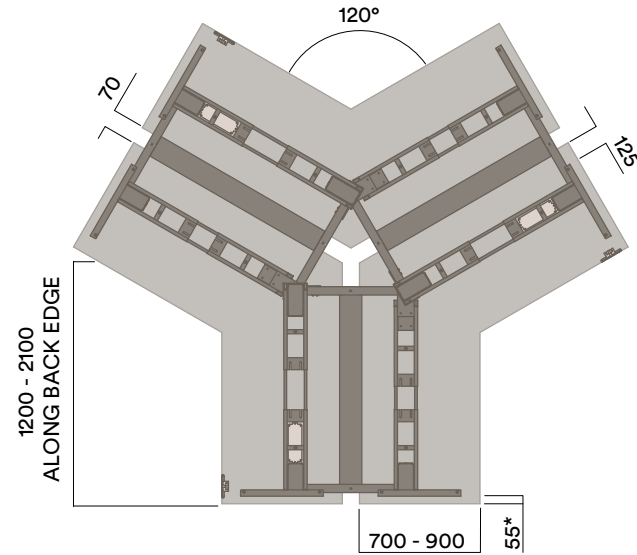
Notes:

*Side Offset can vary depending on screen size.

** Cable Tray required on all H-frame configurations

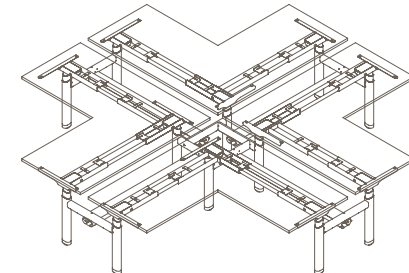
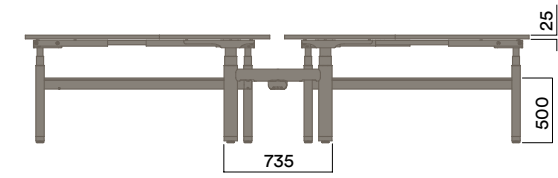
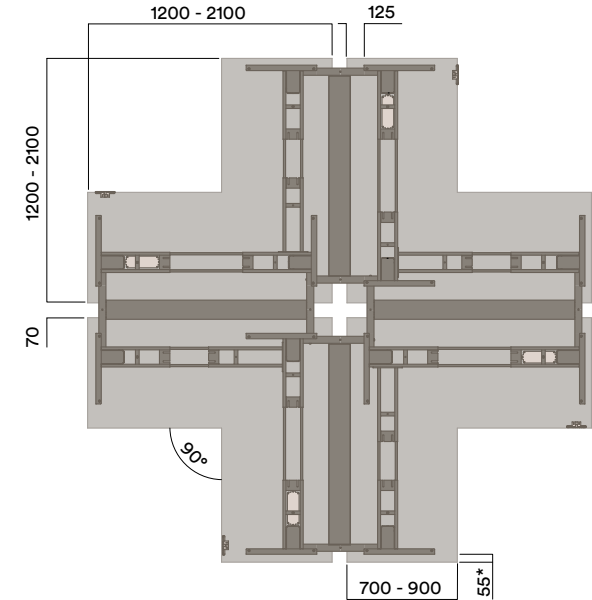
OVE-3120 3pax

120deg H-Frame



OVE-4090 4pax

90deg H-Frame



Ovation - Fixed Features

Dimensions

Standard Height 715mm

(Dimensions to underside of worktop)

Weight Capacity 2 leg 100kg

Weight Capacity 3 Leg 150kg

*(Evenly Distributed Load including
worktop)*

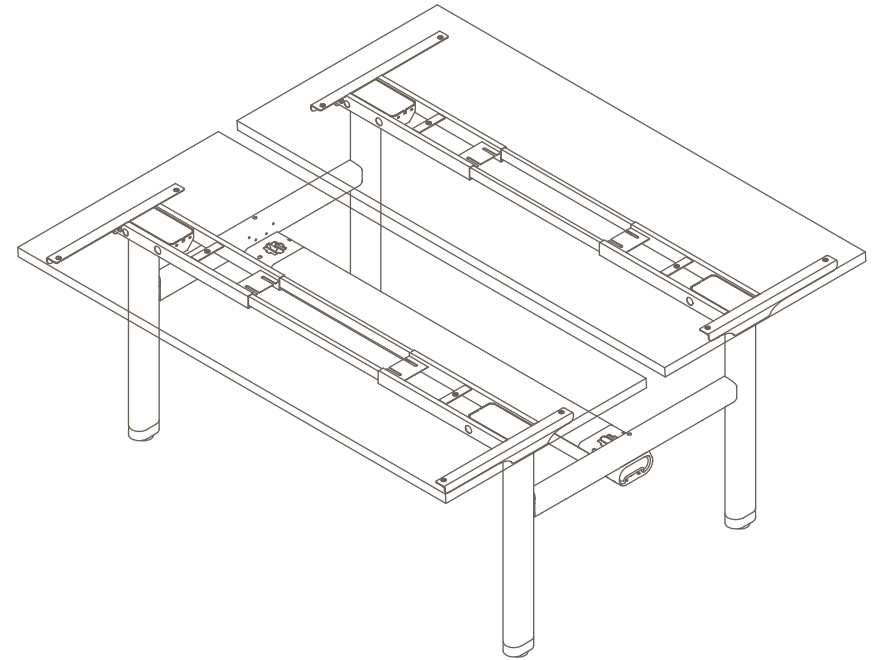
(Maximum Point Load 30kg)

Warranty

Fixed Frame 10yrs

Country of Origin

Australia



For additional Technical Information, please check with your local Thinking Works consultant.

Ovation - Fixed Single Sided

Materials Information

Frame Finish

Powdercoat Steel

- a. Noir
- b. Blanc

Height

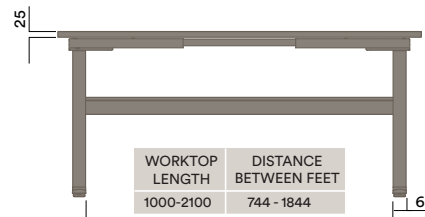
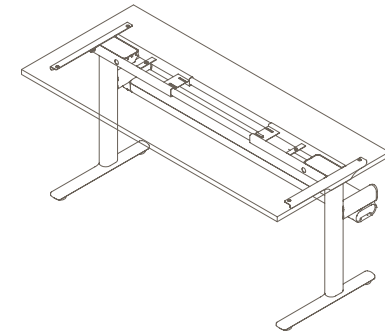
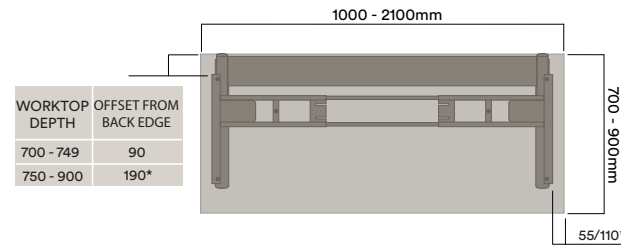
715mm to underside of worktop

Glide Adjustment

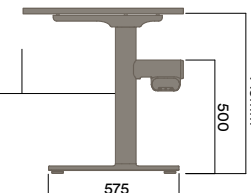
Plus or minus 5mm

Maximum inc. worktop	100kg
Maximum Point Load	30kg
Seats	1-3+

OVF-1000

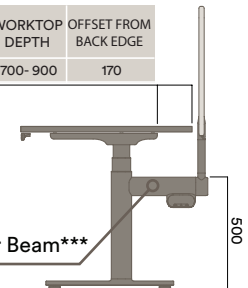


WORKTOP DEPTH	FRONT EDGE TO LEG
700	405
800	405
900	505

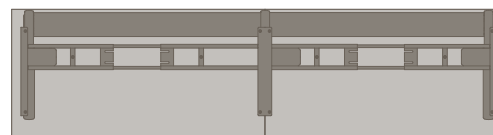


WORKTOP DEPTH	OFFSET FROM BACK EDGE
700-900	170

OV-0506
Longer Rear Beam***



OVF-1002 2pax



OVF-1003 3pax



Notes:

* Larger rear offset is optional & can be used for additional accessories.

**Side Offset can vary depending on screen size.

***TW recommends longer rear beam of OV-0506 when used with frame mounted rear screen.

Ovation - Fixed Single Sided

Materials Information

Leg & Foot Finish

Powdercoat Steel Leg & Foot

- a. Noir
- b. Blanc

Frame Finish

Powdercoat Steel

- a. Noir
- b. Blanc

Height

715mm to underside of worktop

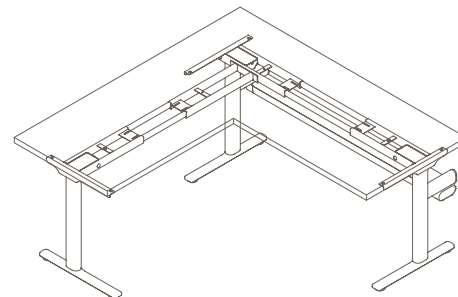
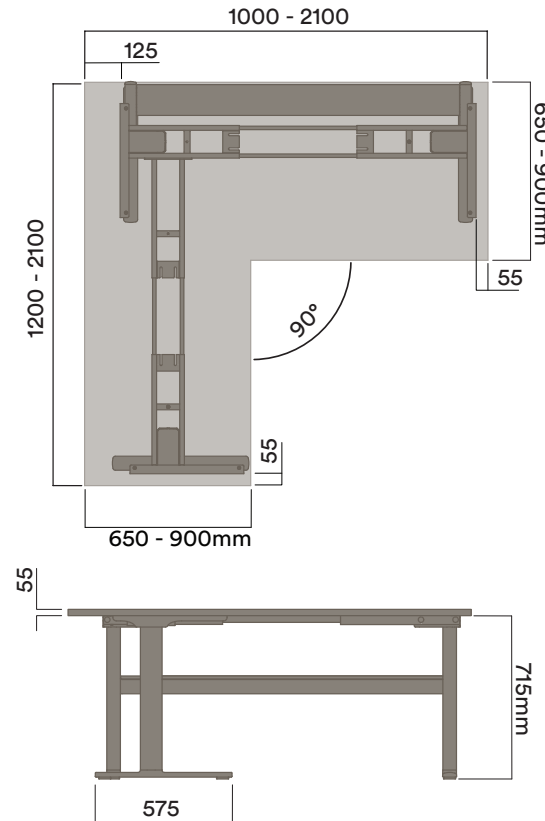
Glide Adjustment

Plus or minus 5mm

Maximum inc. worktop	150kg
Maximum Point Load	30kg
Seats	1

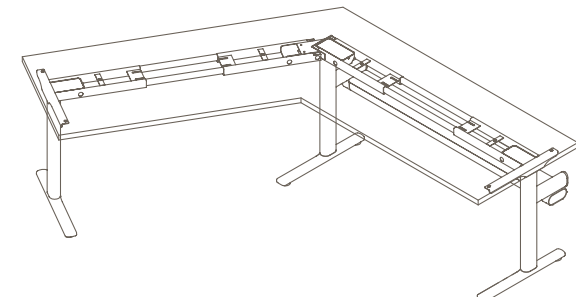
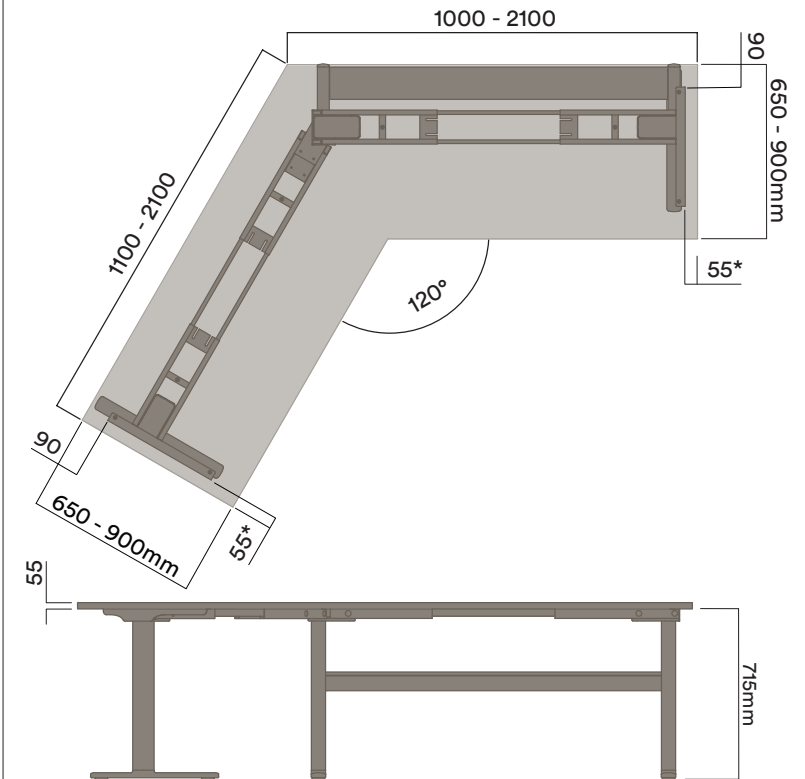
OVF-1090 1pax

90deg



OVF-1120 1pax

120deg



Notes:

* Larger rear offset is optional & can be used for additional accessories.

**Side Offset can vary depending on screen size.

Ovation - Fixed Double Sided

Materials Information

Leg & Foot Finish

Powdercoat Steel Leg & Foot

- a. Noir
- b. Blanc

Frame Finish

Powdercoat Steel

- a. Noir
- b. Blanc

Height

715mm to underside of worktop

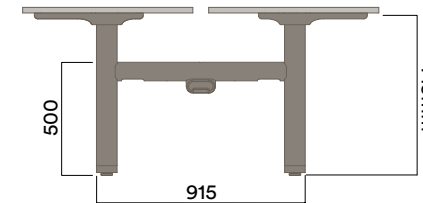
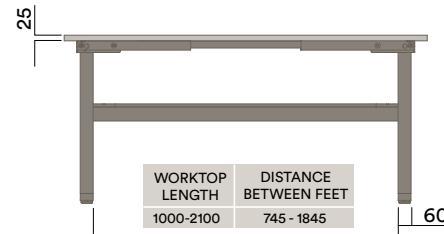
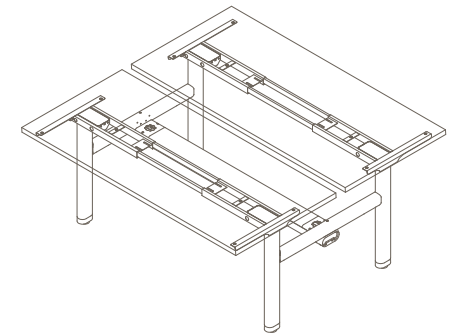
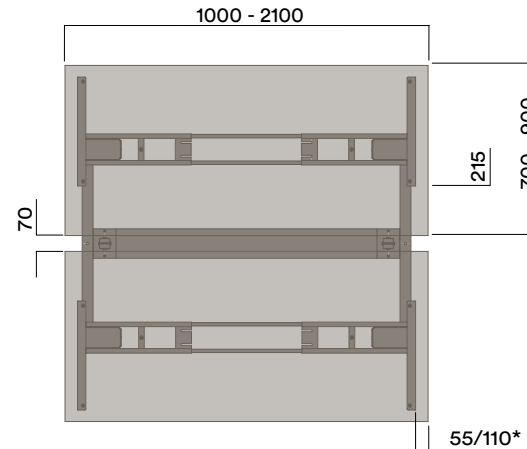
Glide Adjustment

Plus or minus 5mm

Maximum inc. worktop 100kg
 Maximum Point Load 30kg
 Seats 2+

OVF-2002 2pax

H-Frame

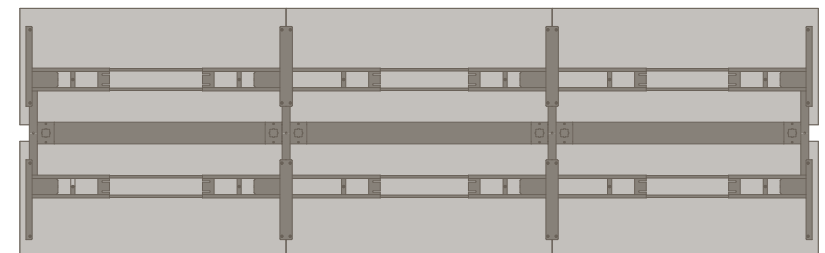
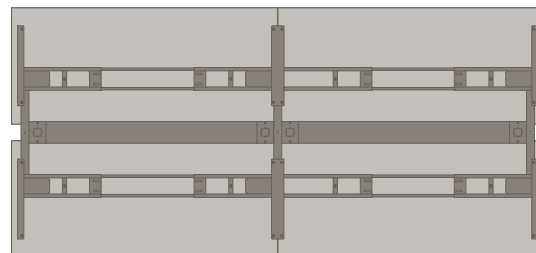


2x OVF-2004

4pax Configuration

3x OVF-2006

6pax Configuration



Notes:

*Side Offset can vary depending on screen size.

** Cable Tray required on all H-frame configurations

Ovation - Fixed Double Sided

Materials Information

Leg & Foot Finish

Powdercoat Steel Leg & Foot

- a. Noir
- b. Blanc

Frame Finish

Powdercoat Steel

- a. Noir
- b. Blanc

Height

715mm to underside of worktop

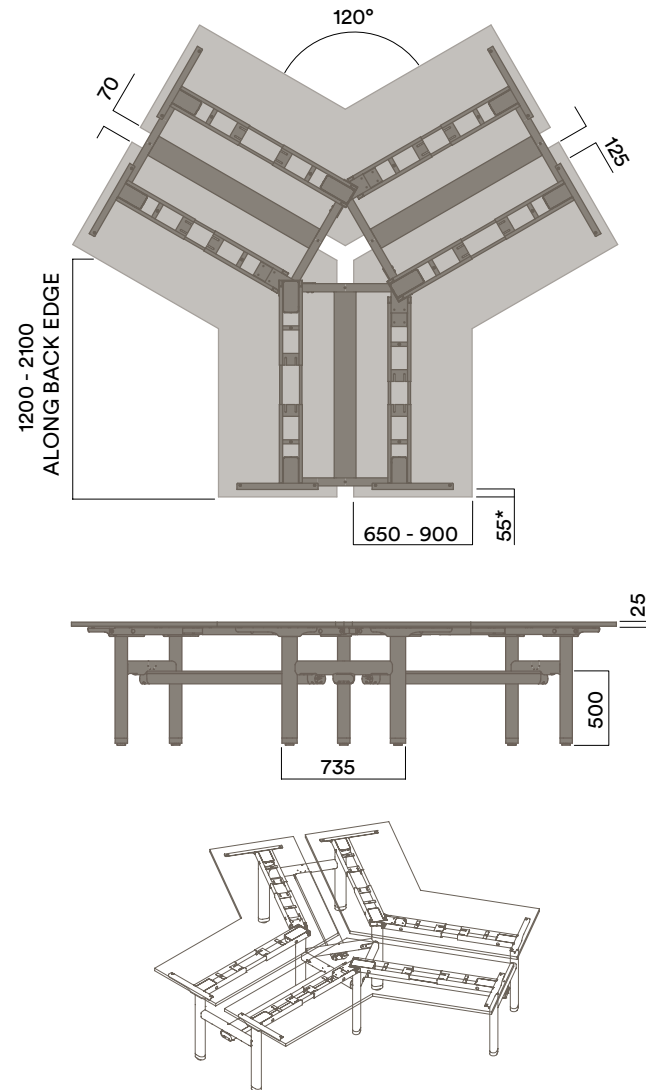
Glide Adjustment

Plus or minus 5mm

Maximum inc. worktop	100kg
Maximum Point Load	30kg
Seats	3 or 4

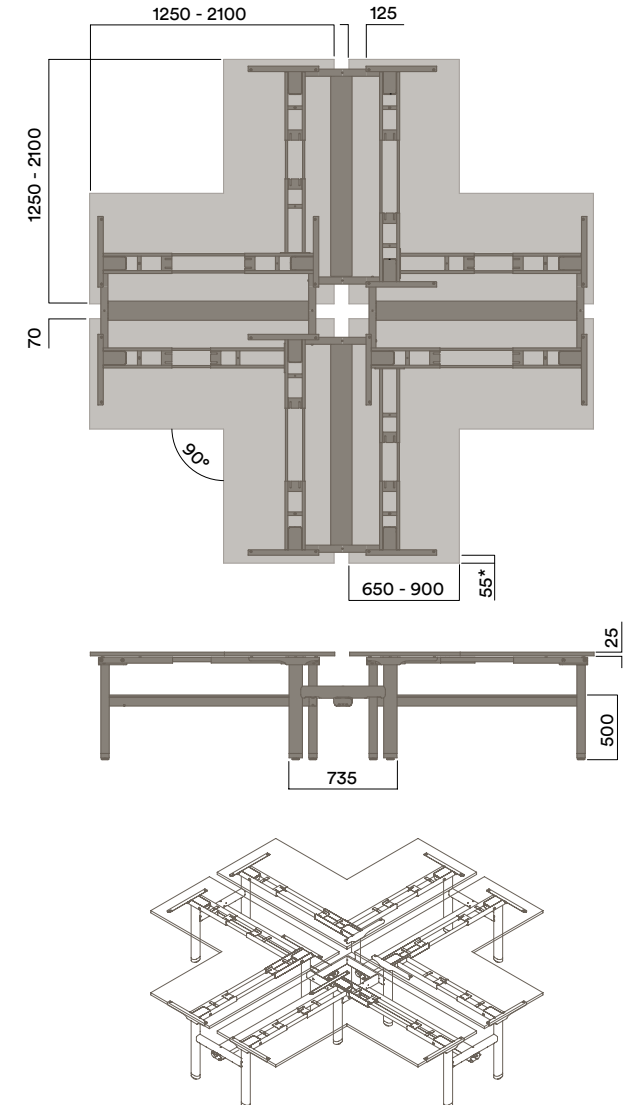
OVF-3000

120deg H-Frame



OVF-4000

90deg H-Frame



Notes:

*Side Offset can vary depending on screen size.

** Cable Tray required on all H-frame configurations

Ovation - Accessories

Cable Management

Materials Information

Cable Tray Body

Powdercoat Aluminium

- a. Noir
- b. Blanc

Cable Tray Lid

Powdercoat Aluminium Extrusion

- a. Noir
- b. Blanc

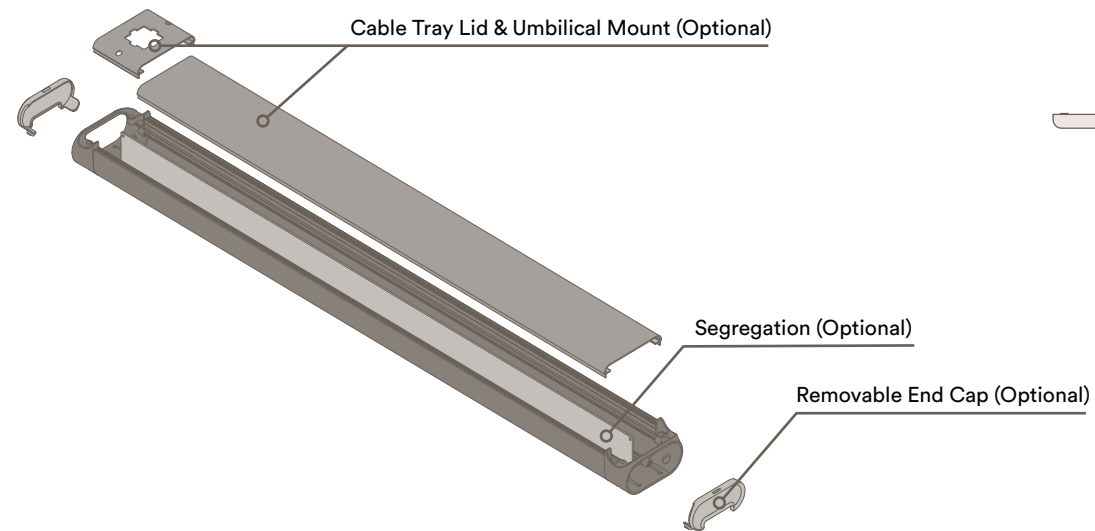
Cable Tray End Caps

Plastic

- a. Noir
- b. Blanc

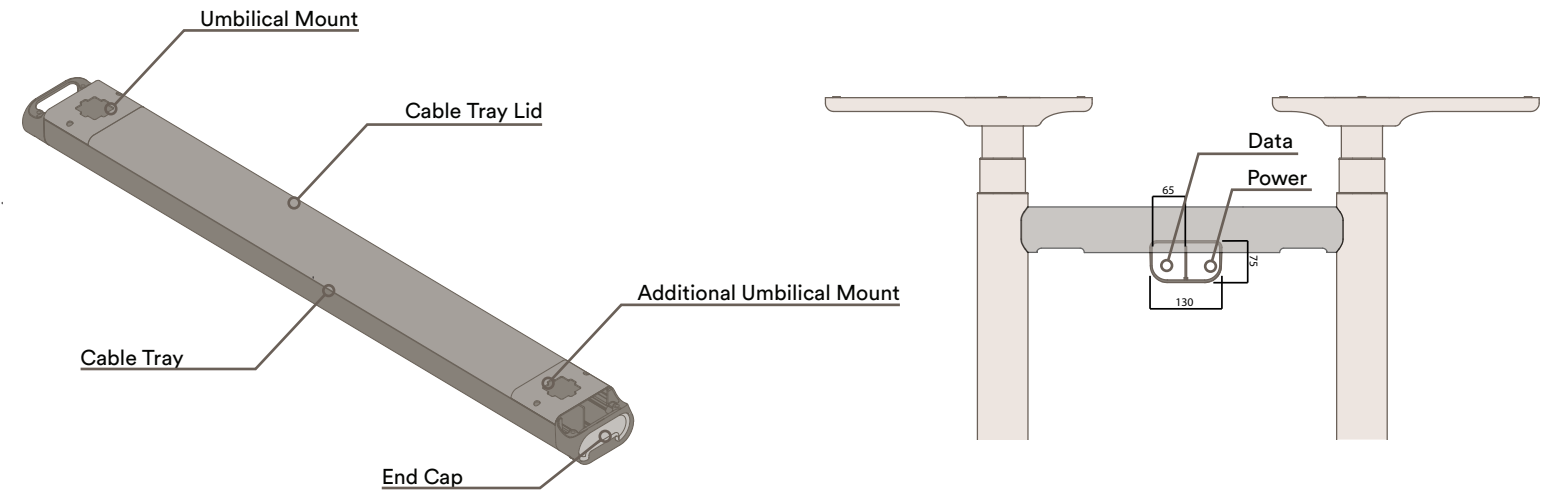
WSA-1100 Series

Single Sided Cable Tray



WSA-2000 Series

Double Sided Cable Tray



Ovation - Accessories

Cable Management

Materials Information

WSA-5010 Series

Cable Tray Bridge

175-250mm

Cable Tray Bridge Body

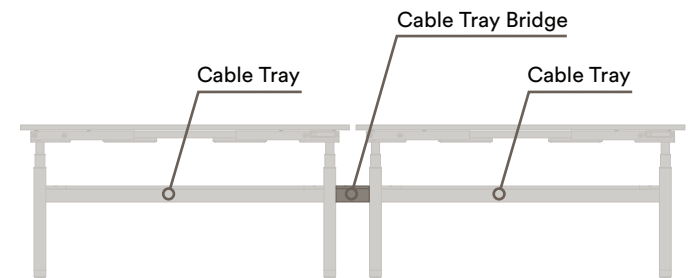
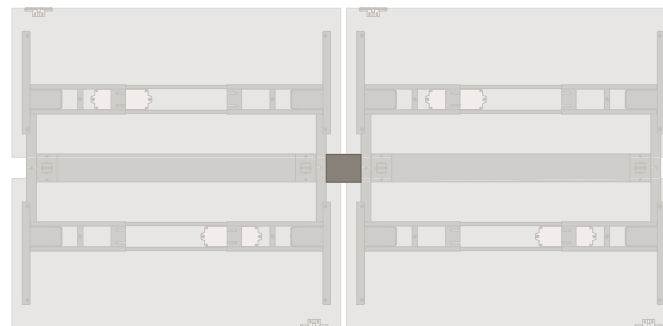
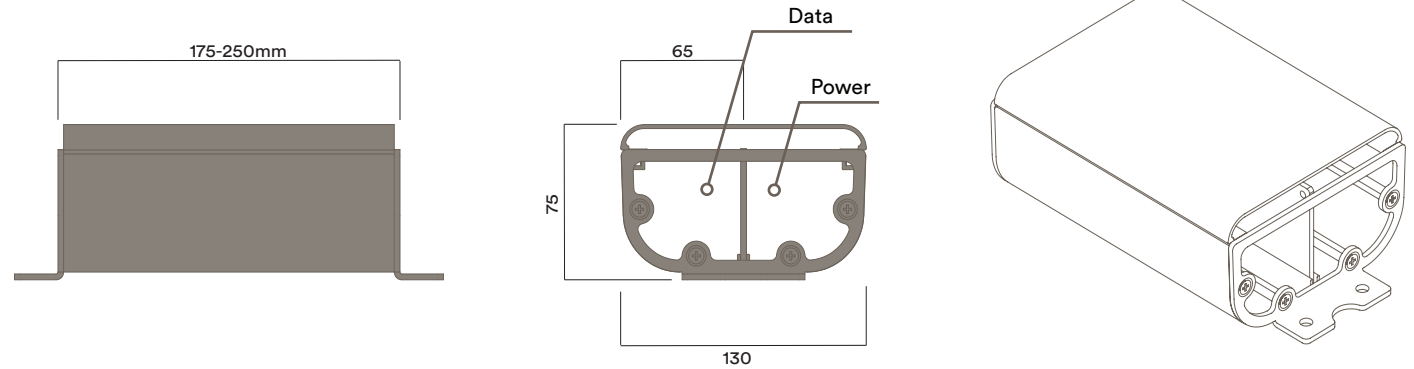
Powdercoat Aluminium

- a. Noir
- b. Blanc

Cable Tray Bridge Lid

Powdercoat Aluminium Extrusion

- a. Noir
- b. Blanc



Ovation - Accessories

Cable Management

Materials Information

Cable Umbilical

Moulded Plastic

- a. White
- b. Black

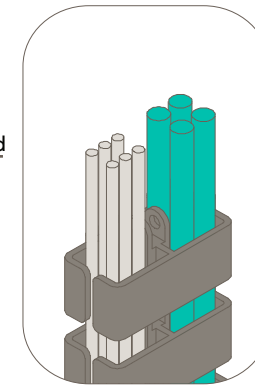
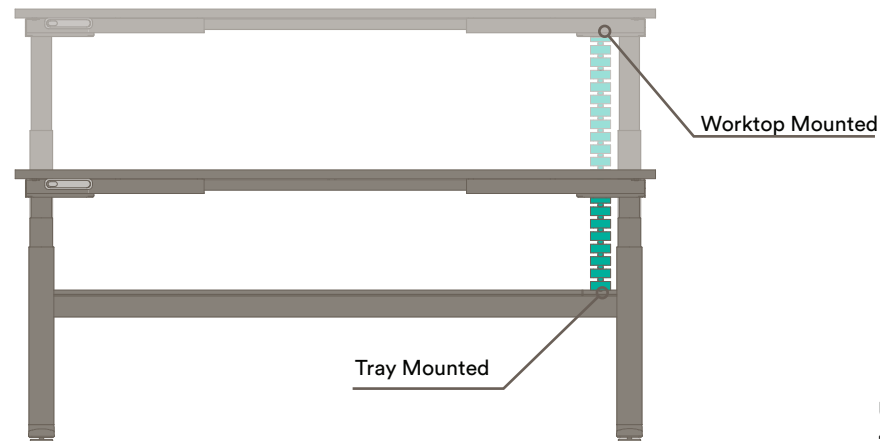
Fabric Umbilical

Fabric

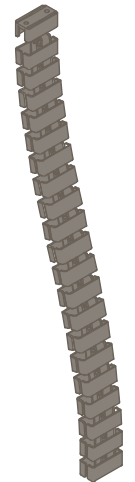
- a. Light Grey
- b. Dark Grey

WSA-5001

Plastic Cable Umbilical

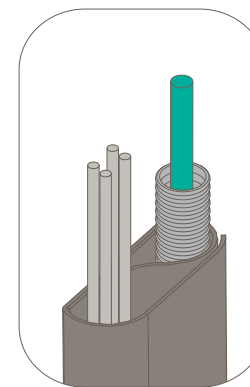
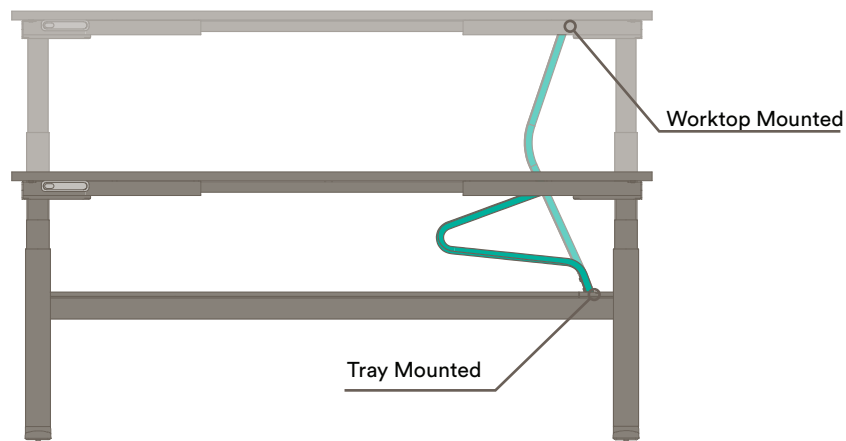


Umbilical Capacity
4 x 6.5mm 10amp power leads
6 x 6mm Cat 4 / Cat 6 data cables

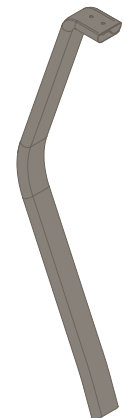


WSA-5002

Fabric Cable Umbilical



Umbilical Capacity
1 x 6mm 10amp power leads in conduit
4 x 6mm Cat 4 / Cat 6 data cables



Notes:
*Please check that position of Umbilical does not interfere with desk frame, cable management, monitor arms, power rails & worktop cutouts / scollops.

Ovation - Accessories

Power Pocket

Materials Information

Power Pocket Bracket

Powdercoat Steel

a. Noir

Fabric Cable Pocket

Fabric

a. Light Grey

b. Dark Grey

Power options for different countries available*:

a. 4 x Power & 2 x Data (AUS)

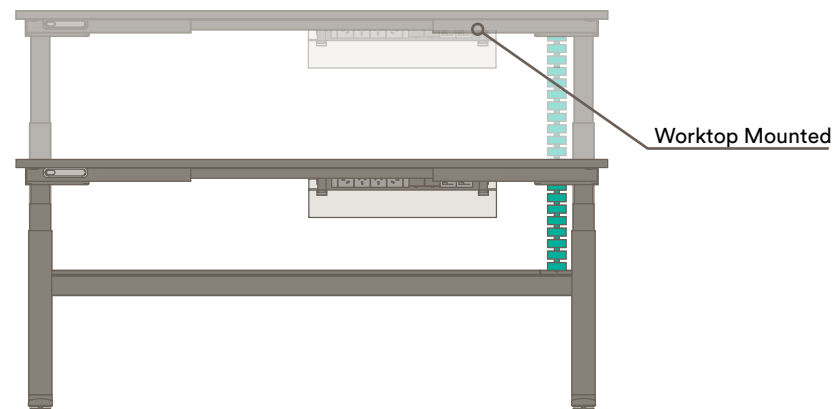
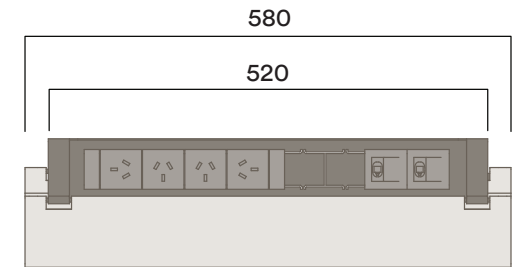
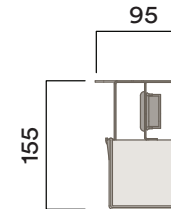
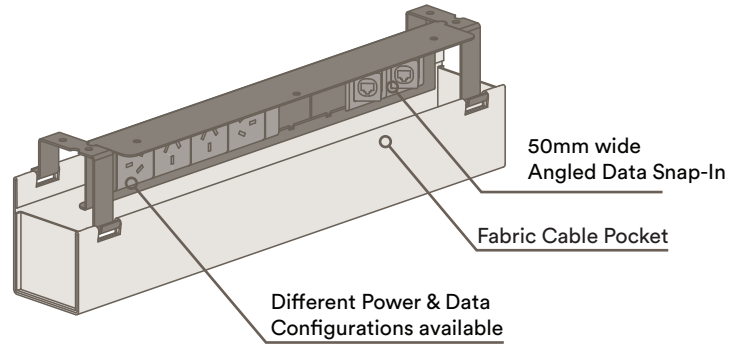
b. 6 x Power (AUS)

c. 4 x Power & 2 x Data (UK)

d. 6 x Power (UK)

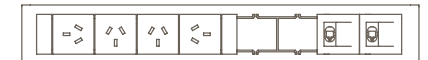
WSA-5003

Power Pocket

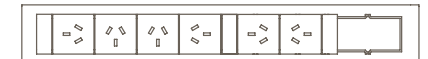


Power & Data Configurations:

a. Australia 4 x GPO & 2 x Data



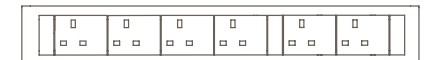
b. Australia 6 x GPO



c. UK 4 x GPO & 2 x Data



d. UK 6 x GPO



Notes:

*GPOs and Data not included

**Please check that position of Power Pocket does not interfere with desk frame, umbilical, monitor arms, power rails & worktop cutouts / scollops.

Ovation - Accessories

Power Modesty

Materials Information

Power Pocket Bracket

Powdercoat Steel

a. Noir

Fabric Cable Modesty

Fabric

a. Light Grey

b. Dark Grey

Power options for different countries available*:

a. 4 x Power & 2 x Data (AUS)

b. 6 x Power (AUS)

c. 4 x Power & 2 x Data (UK)

d. 6 x Power (UK)

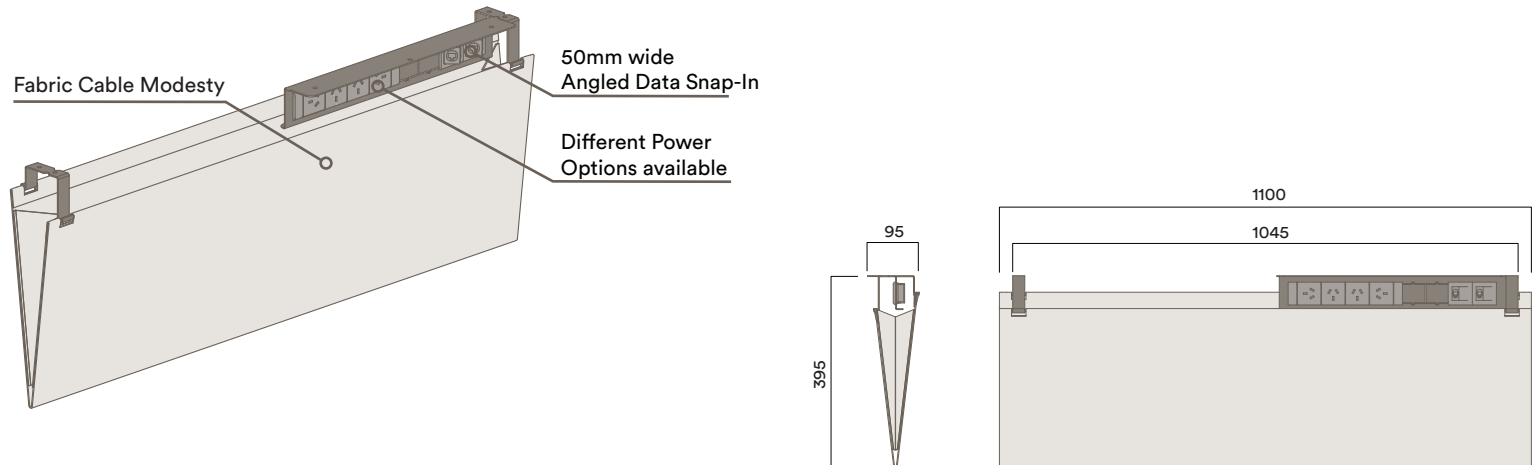
Notes:

*GPOs and Data not included

**Please check that position of Power Modesty does not interfere with desk frame, umbilical, monitor arms, power rails & worktop cutouts / scollops.

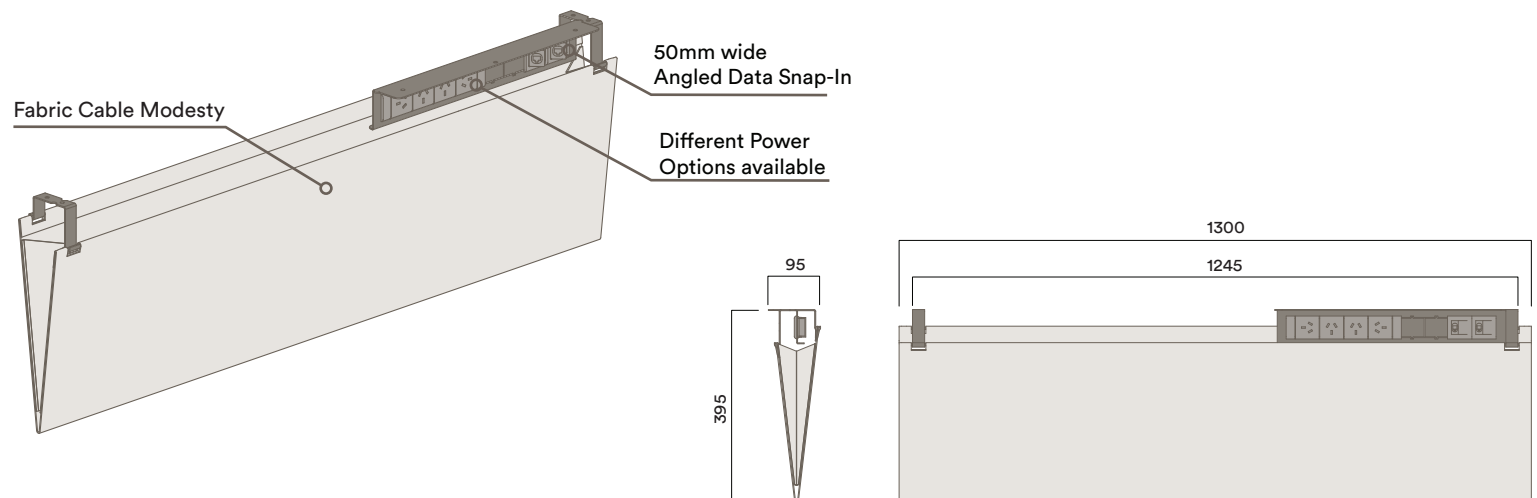
WSA-5004

Power Modesty - Small



WSA-5005

Power Modesty - Large



Ovation - Accessories

Power Pocket + Modesty - Extended Power/Data

Materials Information

Power Pocket Bracket

Powdercoat Steel

a. Noir

Fabric Cable Pocket/Modesty

Fabric

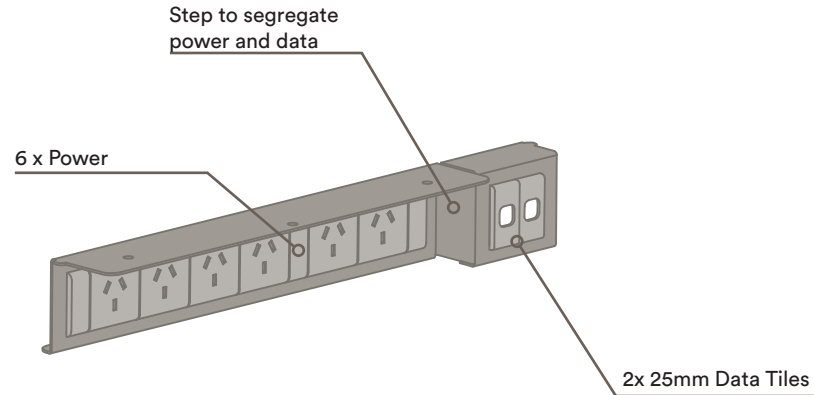
a. Light Grey

b. Dark Grey

Power options*:

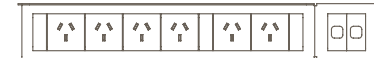
a. 6 x Power & 2 x Data (AUS)

Mounting Plate To Suit 6 GPOS + 2 Data



Power & Data Configurations:

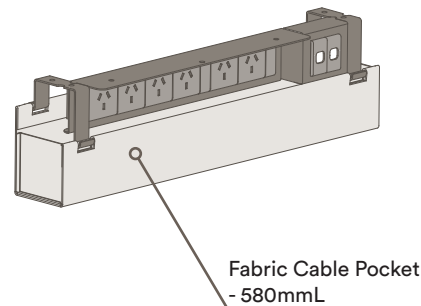
a. Australia 6 x GPO & 2 x Data



WSA-5015

Power Pocket

With Extended Power/Data

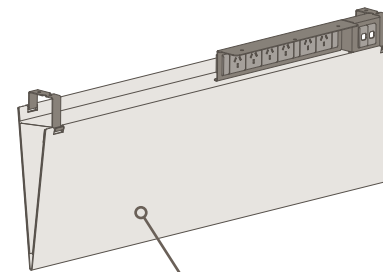


Fabric Cable Pocket
- 580mmL

WSA-5016

Power Modesty - Small

With Extended Power/Data

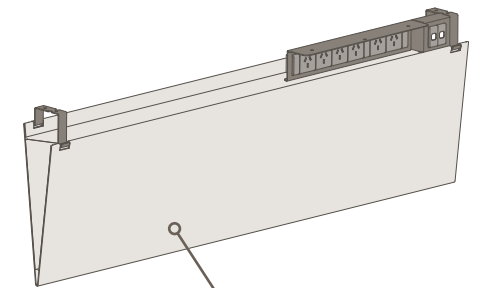


Fabric Cable Modesty
- 1100mmL

WSA-5017

Power Modesty - Large

With Extended Power/Data



Fabric Cable Modesty
- 1300mmL

Notes:

*GPOs and Data not included

**Please check that position of Power Modesty does not interfere with desk frame, umbilical, monitor arms, power rails & worktop cutouts / scollops.

Ovation Electric - Accessories

Framed Acoustic Screens

Materials Information

Framed Acoustic Screen

PET Panel

- a. Light Grey
- b. Dark Grey
- c. Upholstered - (Customer Supplied Fabric)

Screen Frame

Powdercoat Aluminium Screen Mount and Extrusion

- a. Noir
- b. Blanc

Acoustic Screen

PET Screen Panel

- a. Light Grey
- b. Dark Grey

Screen Mounts

Powdercoat Aluminium Screen Mount

- a. Noir
- b. Blanc

***Note:**

Shown sizes are for rectangular Worktops only. For screens to suit 90°, 120° & clusters - please consult your Thinkingworks representative.

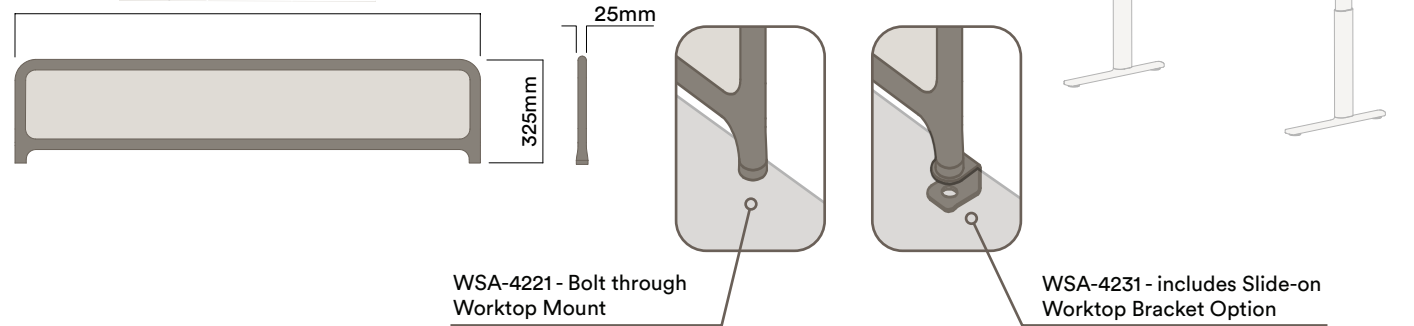
****Note:**

When fitted to Ovation Fixed Height Clusters there are additional bridge brackets required to mount screens. Please refer to page 25.

WSA-4221 / WSA-4231

Worktop Mounted Framed Acoustic Screen

SCREEN SIZE	WORKTOP LENGTH*	SCREEN LENGTH
Small	1200 - 1300	1035 - 1335
Medium	1301 - 1800	1335 - 1635
Large	1801 - 2100	1635 - 1835



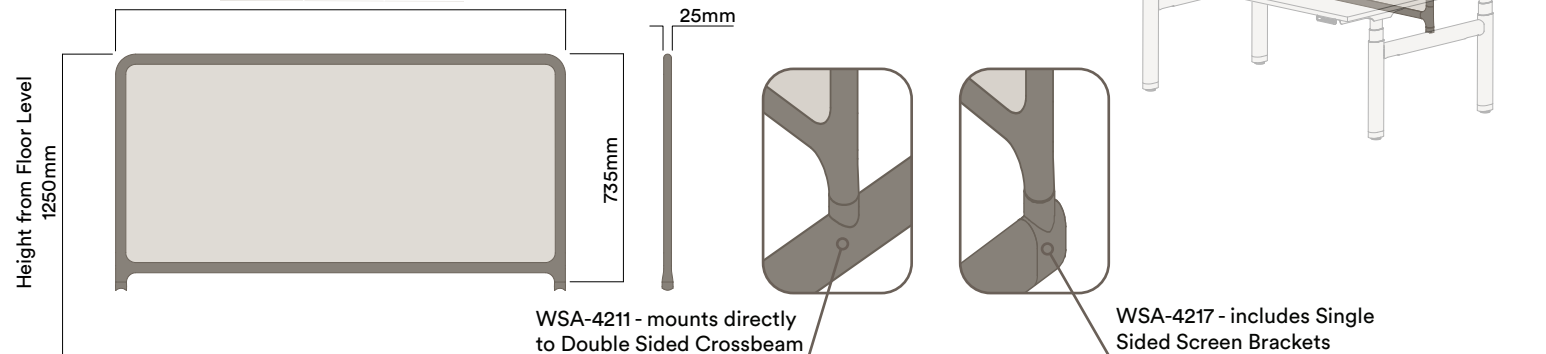
WSA-4221 - Bolt through Worktop Mount

WSA-4231 - includes Slide-on Worktop Bracket Option

WSA-4211 / WSA-4217

Frame Mounted Framed Acoustic Screen

SCREEN SIZE	WORKTOP LENGTH*	SCREEN LENGTH
Small	1200 - 1300	1035 - 1335
Medium	1301 - 1800	1335 - 1635
Large	1801 - 2100	1635 - 1835



WSA-4211 - mounts directly to Double Sided Crossbeam

WSA-4217 - includes Single Sided Screen Brackets

Ovation Electric - Accessories

Upholstered Lovoc Screens

Materials Information

Upholstered Screen

Fabric

- a. Upholstered (Customer Supplied Fabric)
- b. Thinking Works Preferred Fabric

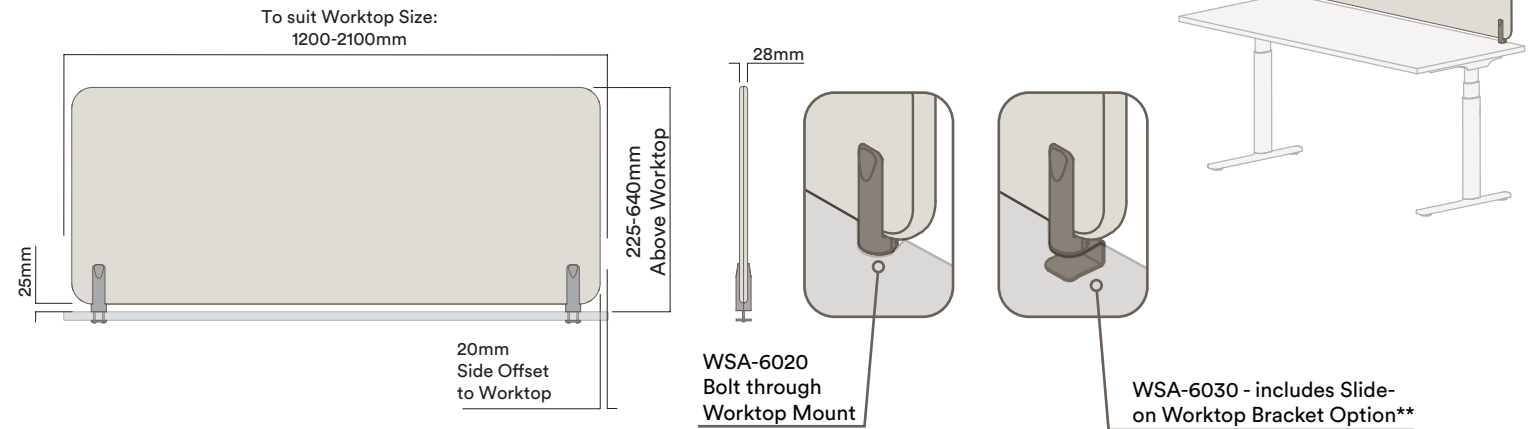
Screen Mounts

Powdercoat Aluminium Screen Mount and Extrusion

- a. Noir
- b. Blanc

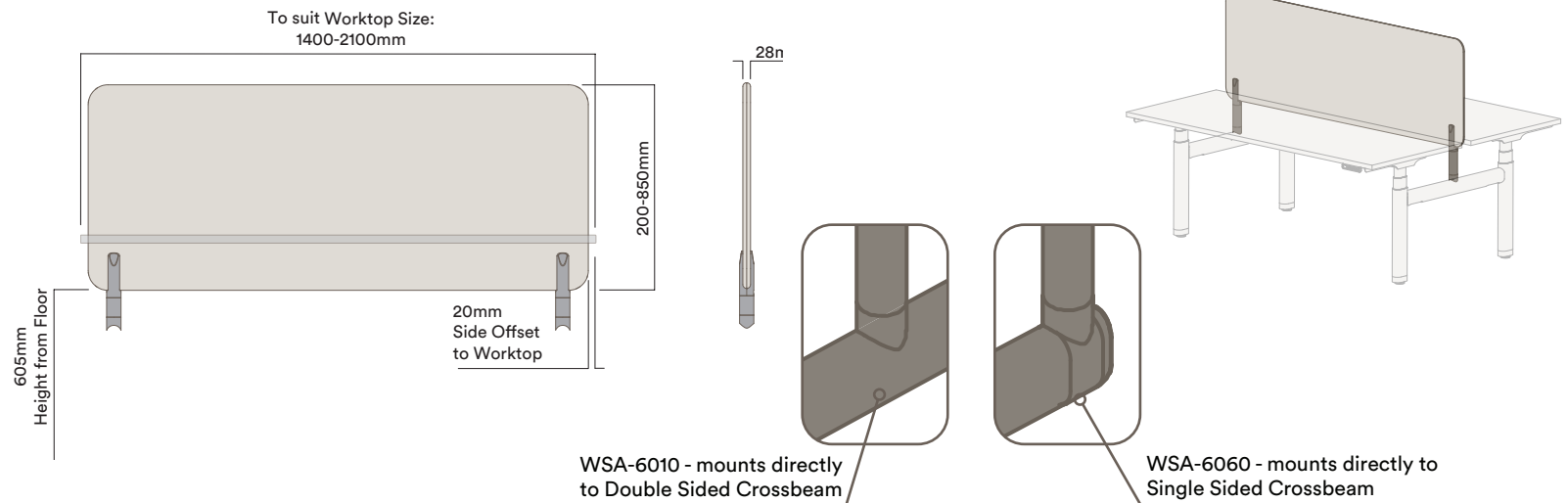
WSA-6020 / WSA-6030

Worktop Mounted Upholstered Lovoc Screen



WSA-6010/ WSA-6060

Central Mounted Upholstered Lovoc Screen



***Note:**

For further information regarding Lovoc upholstered screens refer to Lovoc Tech Spec.

****Note:**

Shown sizes are for rectangular Worktops only. For screens to suit 90°, 120° & clusters - please consult your Thinkingworks representative.

*****Note:**

When fitted to Ovation Fixed Height Clusters there are additional bridge brackets required to mount screens. Please refer to page 25.

Ovation Electric - Accessories

PET Acoustic Screens

Materials Information

Acoustic Screen

PET Screen Panel

- a. Light Grey
- b. Dark Grey

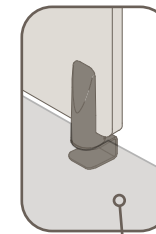
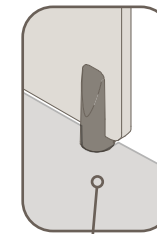
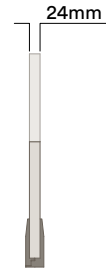
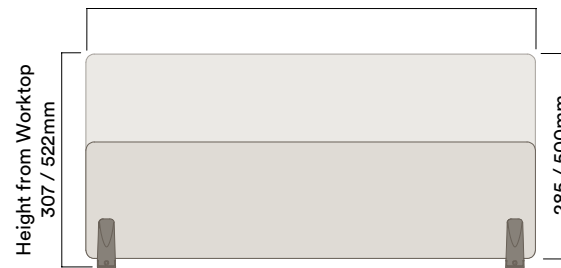
Screen Mounts

Powdercoat Aluminium Screen Mount and Extrusion

- a. Noir
- b. Blanc

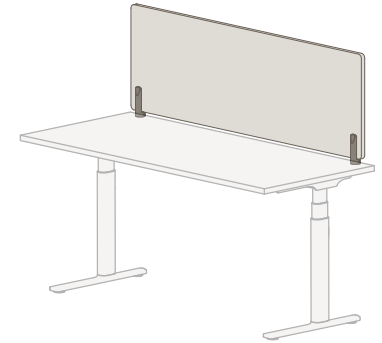
WSA-4021 / WSA-4031 Worktop Mounted Acoustic PET Screen

SCREEN SIZE	WORKTOP LENGTH*	SCREEN LENGTH
Small	1200 - 1300	1100 - 1300
Medium	1301 - 1800	1300 - 1700
Large	1801 - 2100	1700 - 1900



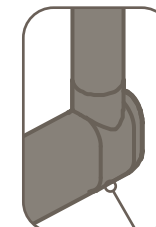
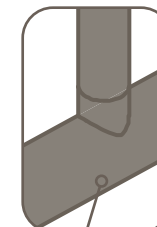
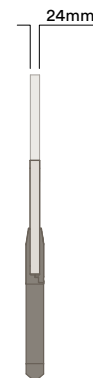
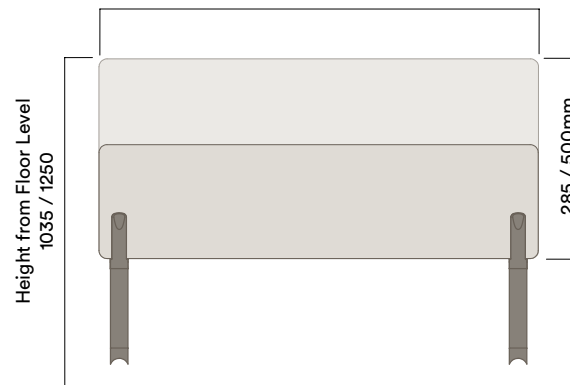
WSA-4021
Bolt through
Worktop Mount

WSA-4031 - includes Slide-on
Worktop Bracket**



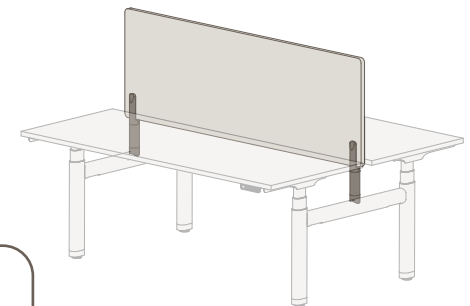
WSA-4011 / WSA-4017 Frame Mounted Frameless Acoustic PET Screen

SCREEN SIZE	WORKTOP LENGTH*	SCREEN LENGTH
Small	1200 - 1300	1100 - 1300
Medium	1301 - 1800	1300 - 1700
Large	1801 - 2100	1700 - 1900



WSA-4011 - mounts directly
to Double Sided Crossbeam

WSA-4017 - includes Single
Sided Screen Brackets



***Note:**
Shown sizes are for rectangular Worktops only.
For screens to suit 90°, 120° & clusters - please
consult your Thinkingworks representative.

****Note:**
When fitted to Ovation Fixed Height Clusters there
are addition bridge brackets required to mount
screens. Please refer to page 25.

Ovation Electric - Accessories

PET Acoustic Screens

Materials Information

WSA-4611 / WSA-4617

Frame Mounted Frameless Acoustic PET Screen

Acoustic Screen

PET Screen Panel

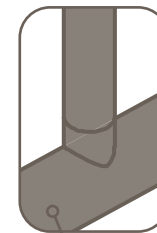
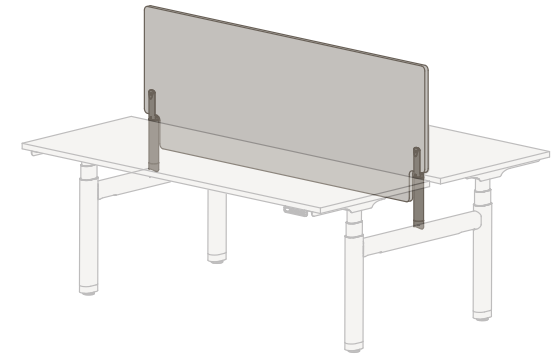
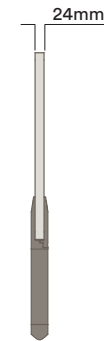
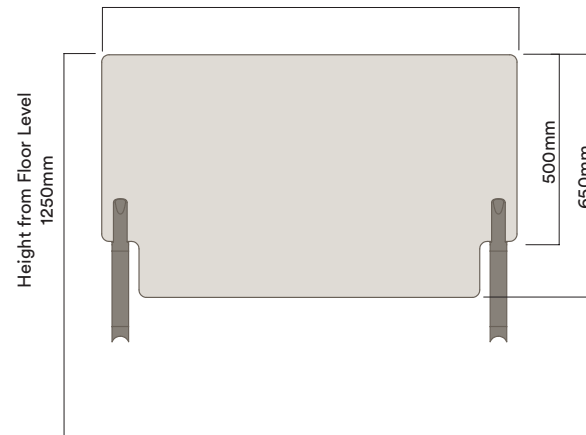
- a. Light Grey
- b. Dark Grey

Screen Mounts

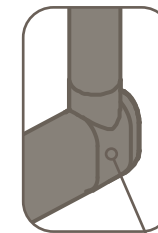
Powdercoat Aluminium Screen Mount and Extrusion

- a. Noir
- b. Blanc

SCREEN SIZE	WORKTOP LENGTH*	SCREEN LENGTH
Small	1200 - 1300	1100 - 1300
Medium	1301 - 1800	1300 - 1700
Large	1801 - 2100	1700 - 1900



WSA-4611 - mounts directly to Double Sided Crossbeam



WSA-4617 - includes Single Sided Screen Brackets

*Note:

Shown sizes are for rectangular Worktops only. For screens to suit 90°, 120° & clusters - please consult your Thinkingworks representative.

**Note:

When fitted to Ovation Fixed Height Clusters there are additional bridge brackets required to mount screens. Please refer to page 25.

Ovation Electric - Accessories

PET Acoustic Screens

Materials Information

Acoustic Screen

PET Panel

- a. Light Grey
- b. Dark Grey

Screen Mounts

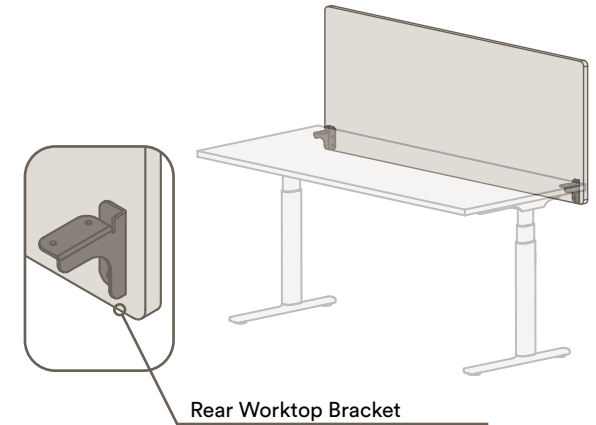
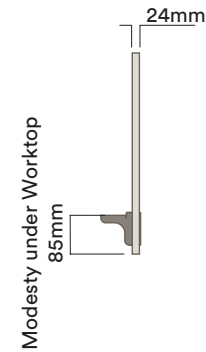
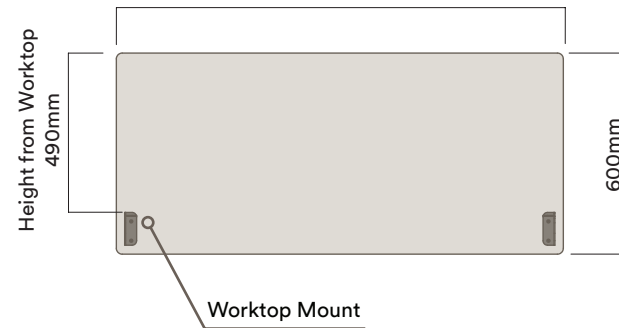
Powdercoat Steel Screen Mount

- a. Noir
- b. Blanc

WSA-4541

Rear Mounted Acoustic Screen & Modesty - Double sided

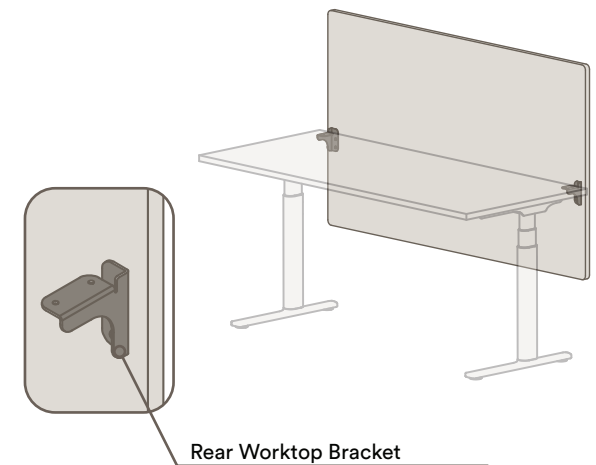
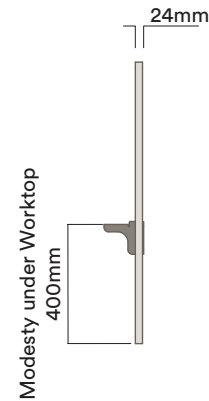
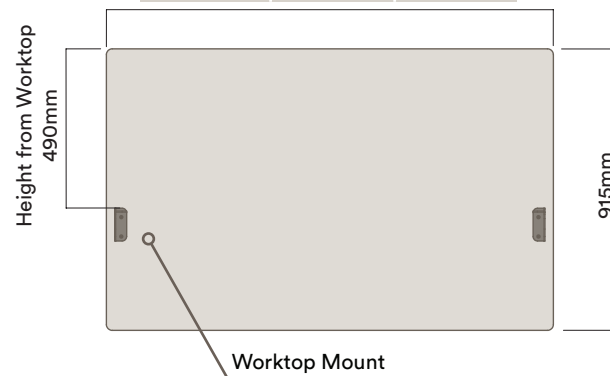
SCREEN SIZE	WORKTOP LENGTH*	SCREEN LENGTH
Small	1200 - 1300	1100 - 1300
Medium	1301 - 1800	1300 - 1700
Large	1801 - 2100	1700 - 1900



WSA-4441

Rear Mounted Acoustic Screen & Modesty - Single sided

SCREEN SIZE	WORKTOP LENGTH*	SCREEN LENGTH
Small	1200 - 1300	1100 - 1300
Medium	1301 - 1800	1300 - 1700
Large	1801 - 2100	1700 - 1900



Accessories

Screen Mounts

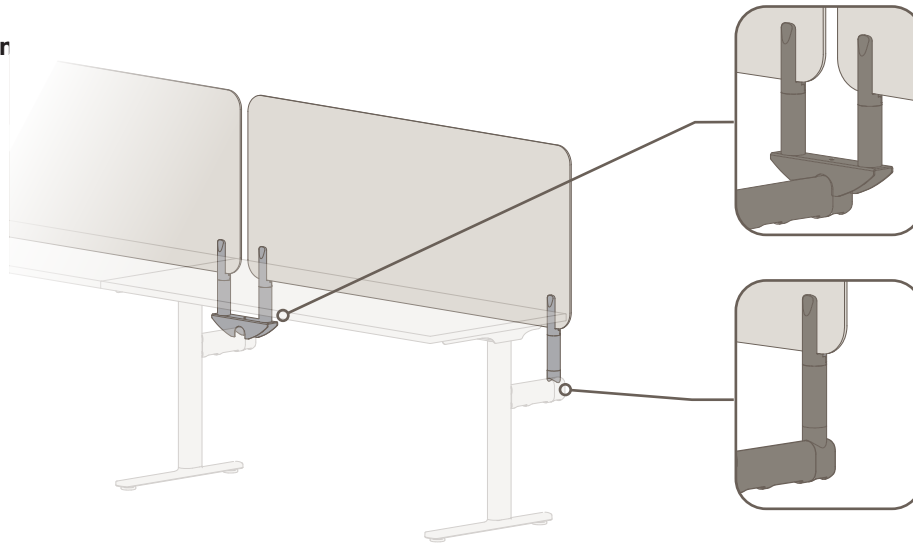
Materials Information

All frame mounted rear screens on Ovation fixed height clusters with shared legs require 1x bridge bracket (WSA-0527) per shared table leg.

Compatible with:

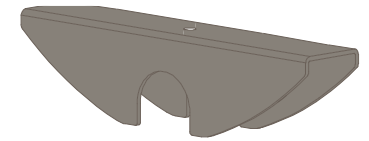
- a. Bambusa Stix - Fixed - double-sided
- b. Bambusa Stix - Fixed - single-sided

Ovation Fixed Height Clusters

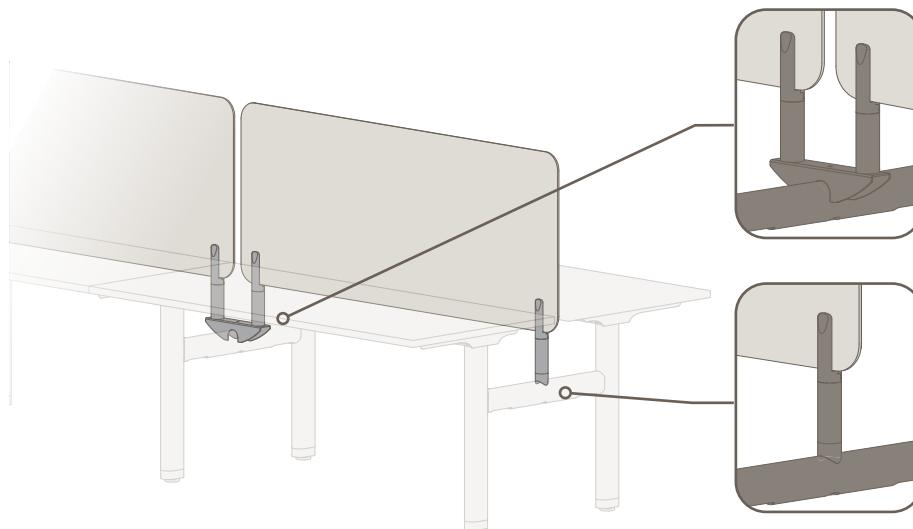


Ovation fixed height clusters require bridge brackets at each shared middle leg to mount screens.

At end leg the screens mount directly to cross beam.

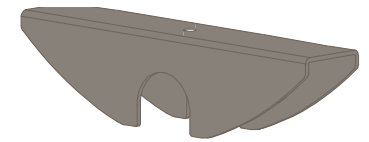


WSA-0527
Bridge Bracket
sold separately



Ovation fixed height clusters require bridge brackets at each shared middle leg to mount screens.

At end leg the screens mount directly to cross beam.



WSA-0527
Bridge Bracket
sold separately

Ovation - Accessories

Frame Mounted Cable Cover

Materials Information

WSA-5006 / 5007 / 5008

Frame Mounted Cable Cover

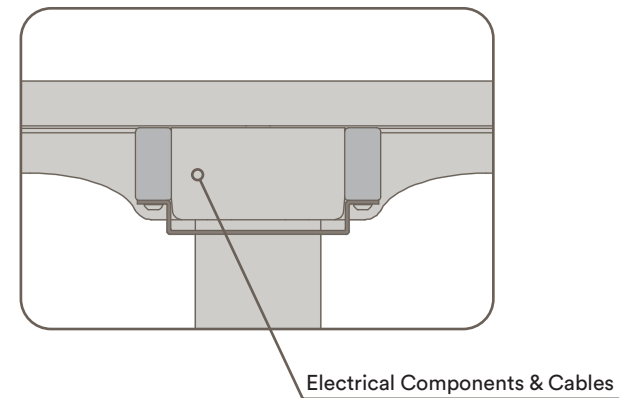
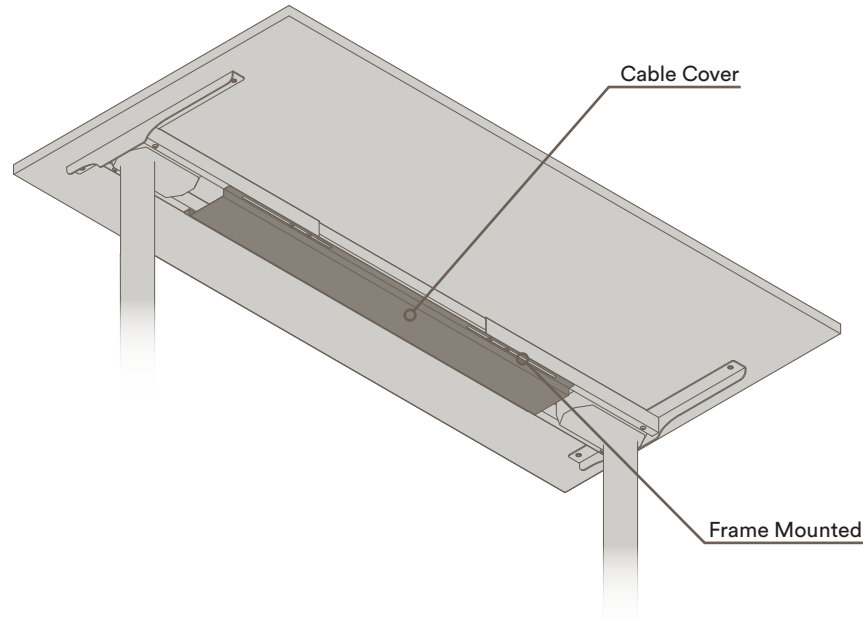
Cable Cover

Powdercoat Steel

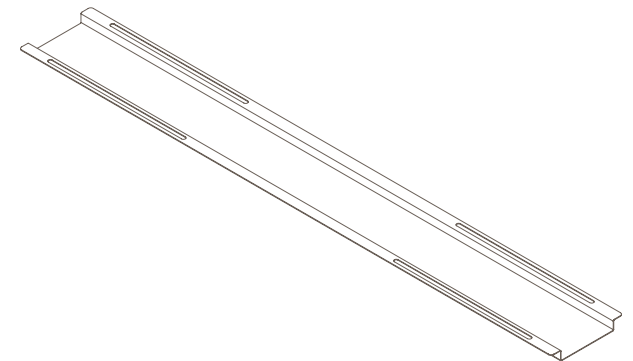
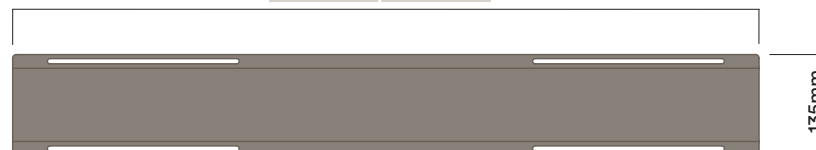
- a. Noir
- b. Blanc

Available in different lengths:

- a. 900mm
- b. 1350mm



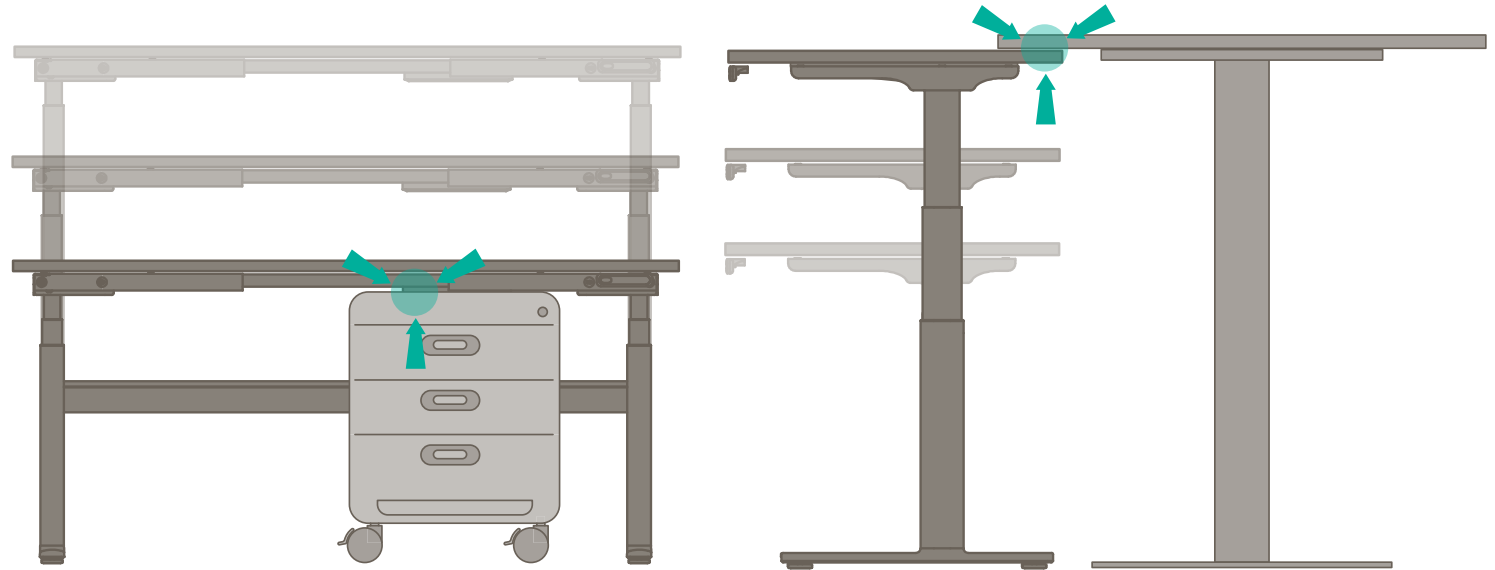
WORKTOP LENGTH*	COVER LENGTH
1200 - 1800	900
1850 - 2000	1350



Ovation - Electric Safety Features

Impact Stop

- Impact Stop system minimises damage to Electric Height Adjustable frames from contact with objects obstructing the path of movement
- Impact Stop initiates while frame is lowering or raising, when 1 second of resistance from an obstruction is detected.
- When resistance is detected, desk will automatically stop then move 50mm in opposite direction in order to clear obstruction.





Specification

If you would like a sample set of any of our finishes, please call us on 61 (0)2 9726 7177 or e-mail at sales@thinkingw.com.

Due to our policy of continuous product development, specifications and finishes may change without prior notice.

Sustainability Policy

We realise the importance of responsible business practices and have in place numerous product and company sustainability certifications. We would encourage you to download our annual Sustainability Report from the Thinking Works website to get a full overview of our sustainability program.

Thinking Works
© Copyright 2019
All right reserved

Thinking Works
15-23 Helles Avenue
Moorebank
New South Wales 2170

www.thinkingw.com
61 (0)2 9726 7177
sales@thinkingw.com

Inspire. Create. Deliver.