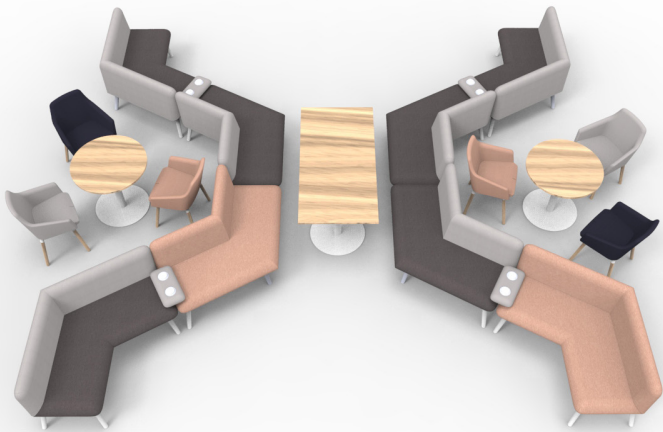


MYRIAD

Product Specification

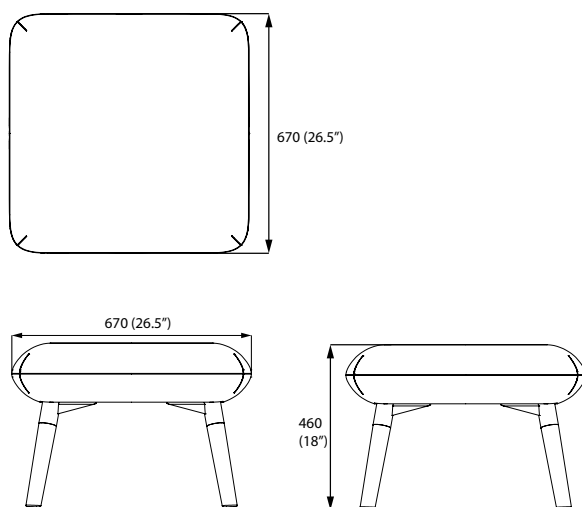


boss
design

MYR/1



Dimensions:



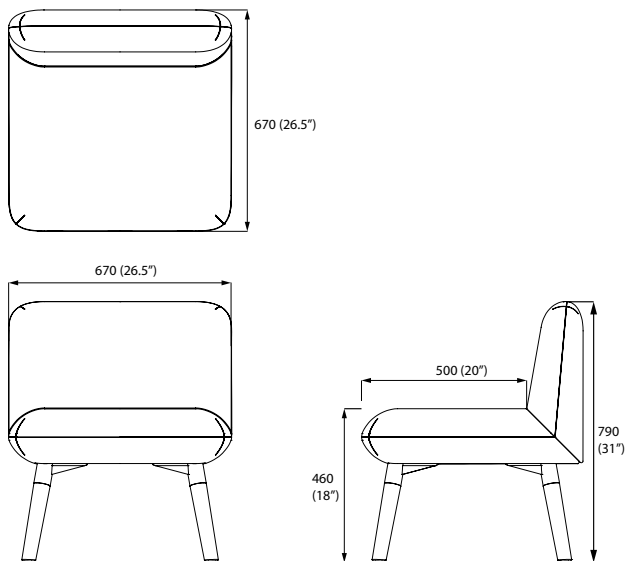
Features:

- Comprehensive range of eleven reconfigurable pieces
- Moulded Foam seat and backrest foam
- Conforms to BS5852 Fire Resistance
- Solid plywood internal frame
- Sprung seat
- Choice of black or white painted leg frames
- Clear laquered European Oak or painted steel leg options

MYR/1/B



Dimensions:



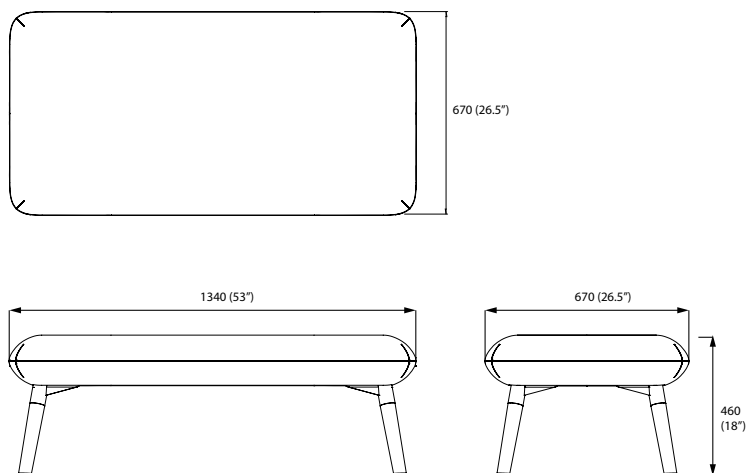
Features:

- Comprehensive range of eleven reconfigurable pieces
- Moulded Foam seat and backrest foam
- Conforms to BS5852 Fire Resistance
- Solid plywood internal frame
- Sprung seat
- Choice of black or white painted leg frames
- Clear laquered European Oak or painted steel leg options

MYR/2



Dimensions:



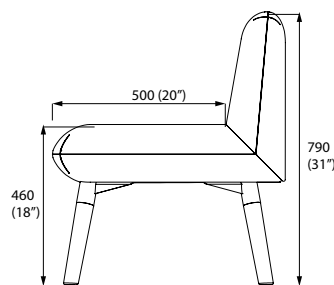
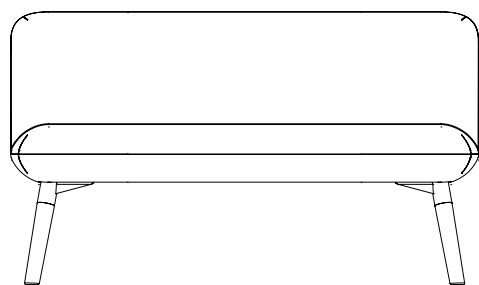
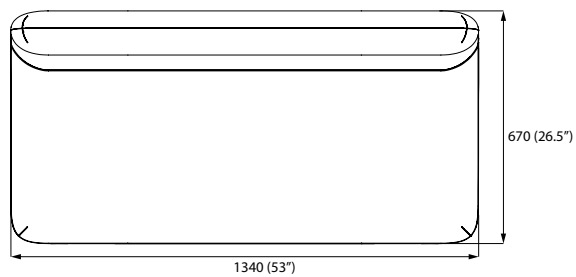
Features:

- Comprehensive range of eleven reconfigurable pieces
- Moulded Foam seat and backrest foam
- Conforms to BS5852 Fire Resistance
- Solid plywood internal frame
- Sprung seat
- Choice of black or white painted leg frames
- Clear laquered European Oak or painted steel leg options

MYR/2/B



Dimensions:



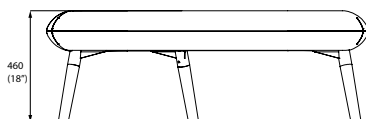
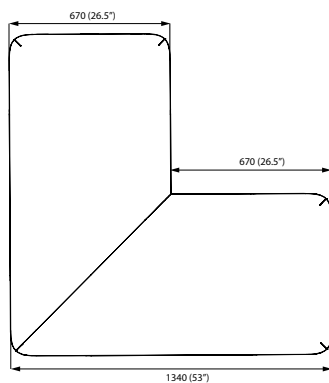
Features:

- Comprehensive range of eleven reconfigurable pieces
- Moulded Foam seat and backrest foam
- Conforms to BS5852 Fire Resistance
- Solid plywood internal frame
- Sprung seat
- Choice of black or white painted leg frames
- Clear laquered European Oak or painted steel leg options

MYR/90



Dimensions:



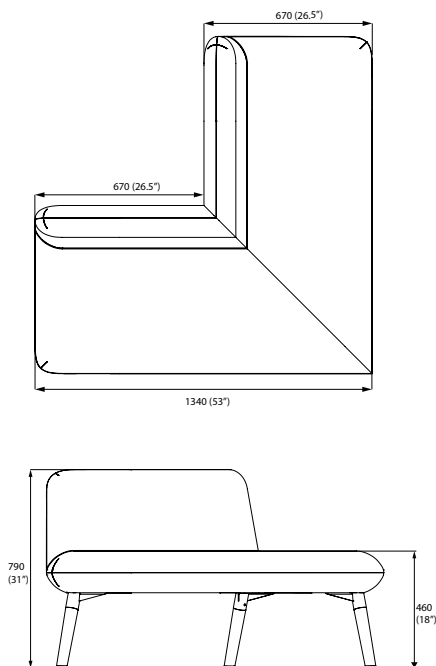
Features:

- Comprehensive range of eleven reconfigurable pieces
- Moulded Foam seat and backrest foam
- Conforms to BS5852 Fire Resistance
- Solid plywood internal frame
- Sprung seat
- Choice of black or white painted leg frames
- Clear laquered European Oak or painted steel leg options

MYR/90/ES



Dimensions:



Features:

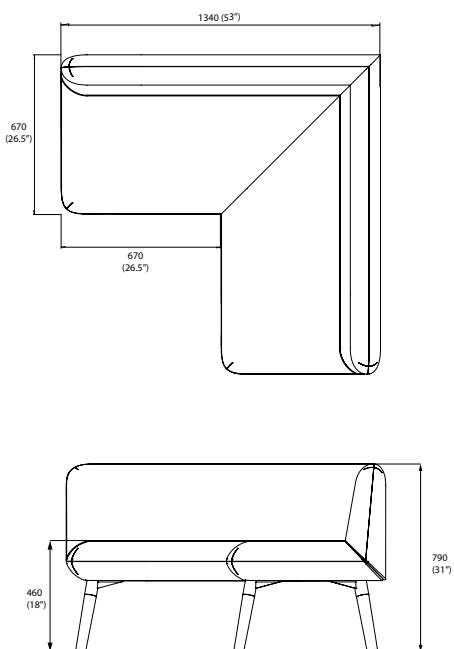
- Comprehensive range of eleven reconfigurable pieces
- Moulded Foam seat and backrest foam
- Conforms to BS5852 Fire Resistance
- Solid plywood internal frame
- Sprung seat
- Choice of black or white painted leg frames
- Clear laquered European Oak or painted steel leg options

MYRIAD 90 DEGREE EXTERNAL WITH BACK

MYR/90/IS



Dimensions:



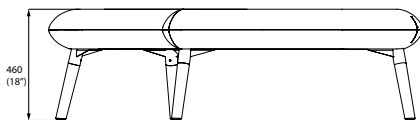
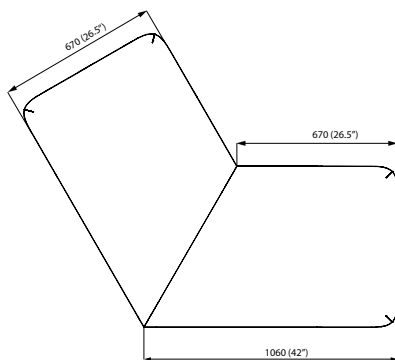
Features:

- Comprehensive range of eleven reconfigurable pieces
- Moulded Foam seat and backrest foam
- Conforms to BS5852 Fire Resistance
- Solid plywood internal frame
- Sprung seat
- Choice of black or white painted leg frames
- Clear laquered European Oak or painted steel leg options

MYR/120



Dimensions:



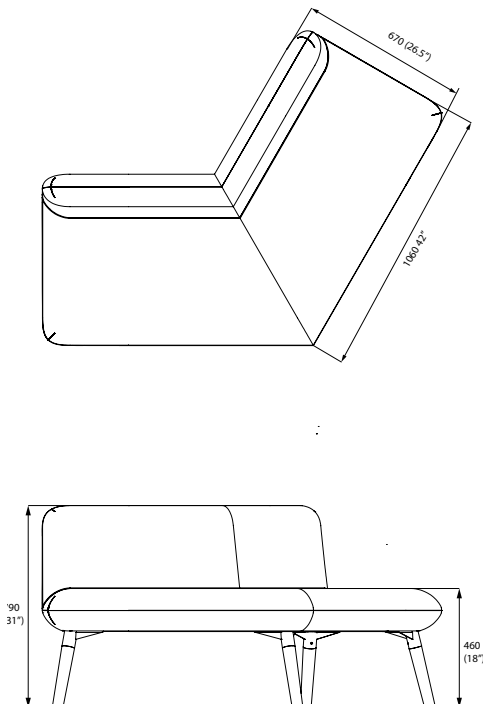
Features:

- Comprehensive range of eleven reconfigurable pieces
- Moulded Foam seat and backrest foam
- Conforms to BS5852 Fire Resistance
- Solid plywood internal frame
- Sprung seat
- Choice of black or white painted leg frames
- Clear laquered European Oak or painted steel leg options

MYR/120/ES



Dimensions:



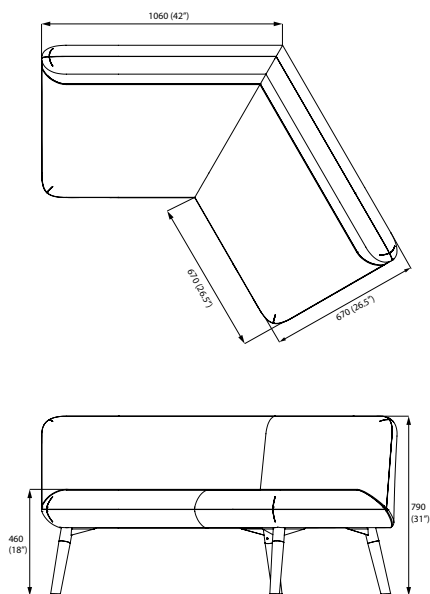
Features:

- Comprehensive range of eleven reconfigurable pieces
- Moulded Foam seat and backrest foam
- Conforms to BS5852 Fire Resistance
- Solid plywood internal frame
- Sprung seat
- Choice of black or white painted leg frames
- Clear laquered European Oak or painted steel leg options

MYR/120/IS



Dimensions:



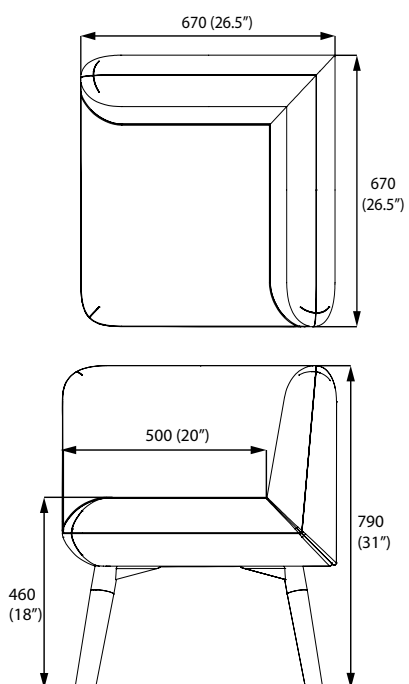
Features:

- Comprehensive range of eleven reconfigurable pieces
- Moulded Foam seat and backrest foam
- Conforms to BS5852 Fire Resistance
- Solid plywood internal frame
- Sprung seat
- Choice of black or white painted leg frames
- Clear laquered European Oak or painted steel leg options

MYR/C/B



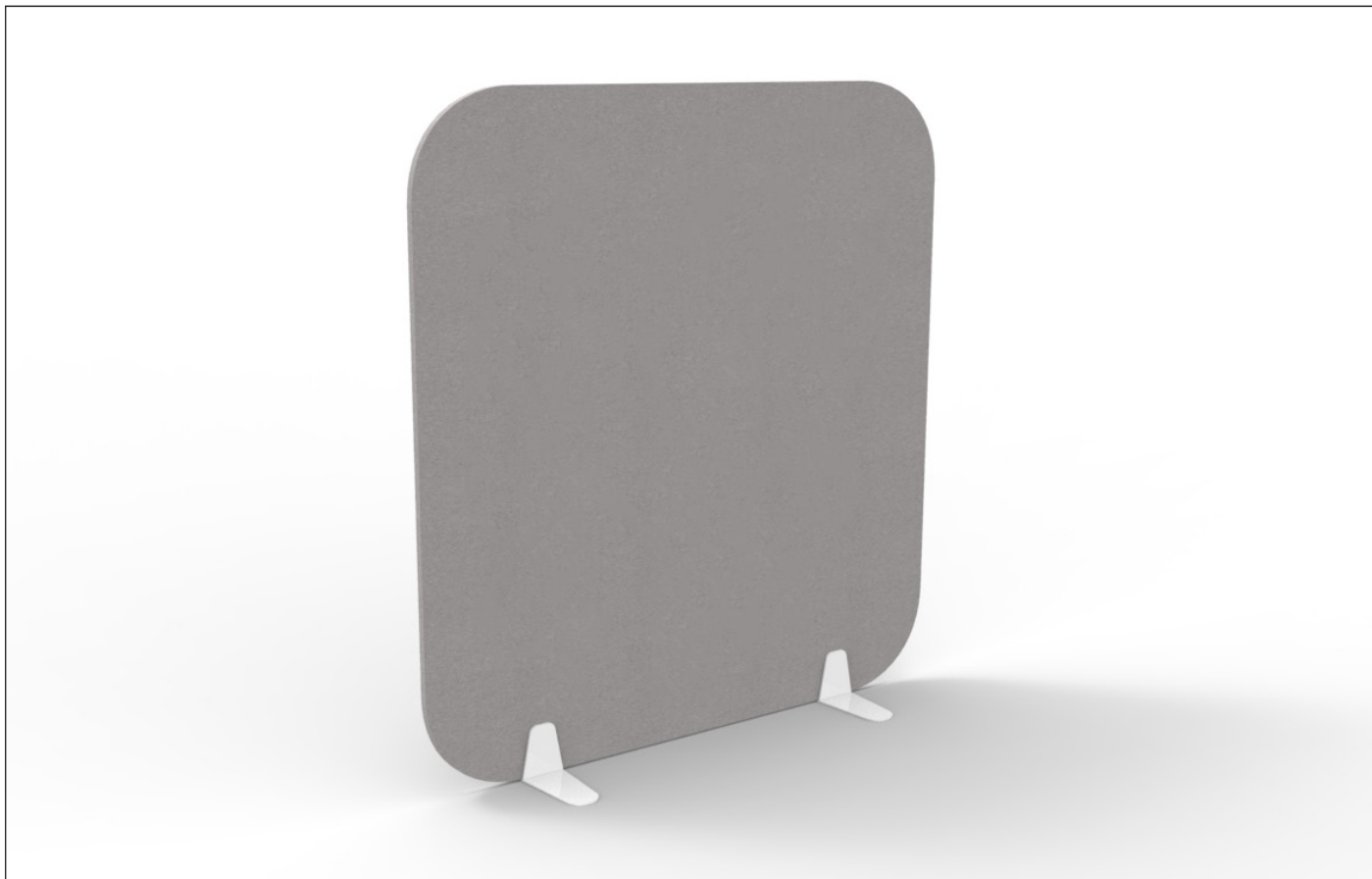
Dimensions:



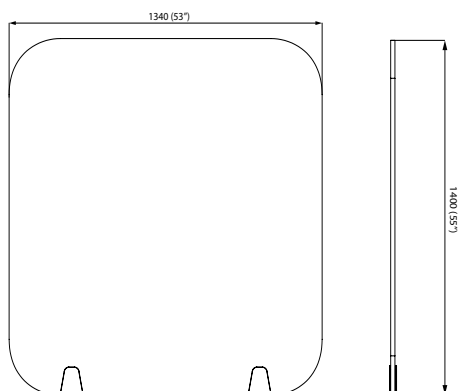
Features:

- Comprehensive range of eleven reconfigurable pieces
- Moulded Foam seat and backrest foam
- Conforms to BS5852 Fire Resistance
- Solid plywood internal frame
- Sprung seat
- Choice of black or white painted leg frames
- Clear laquered European Oak or painted steel leg options

MYR/S1



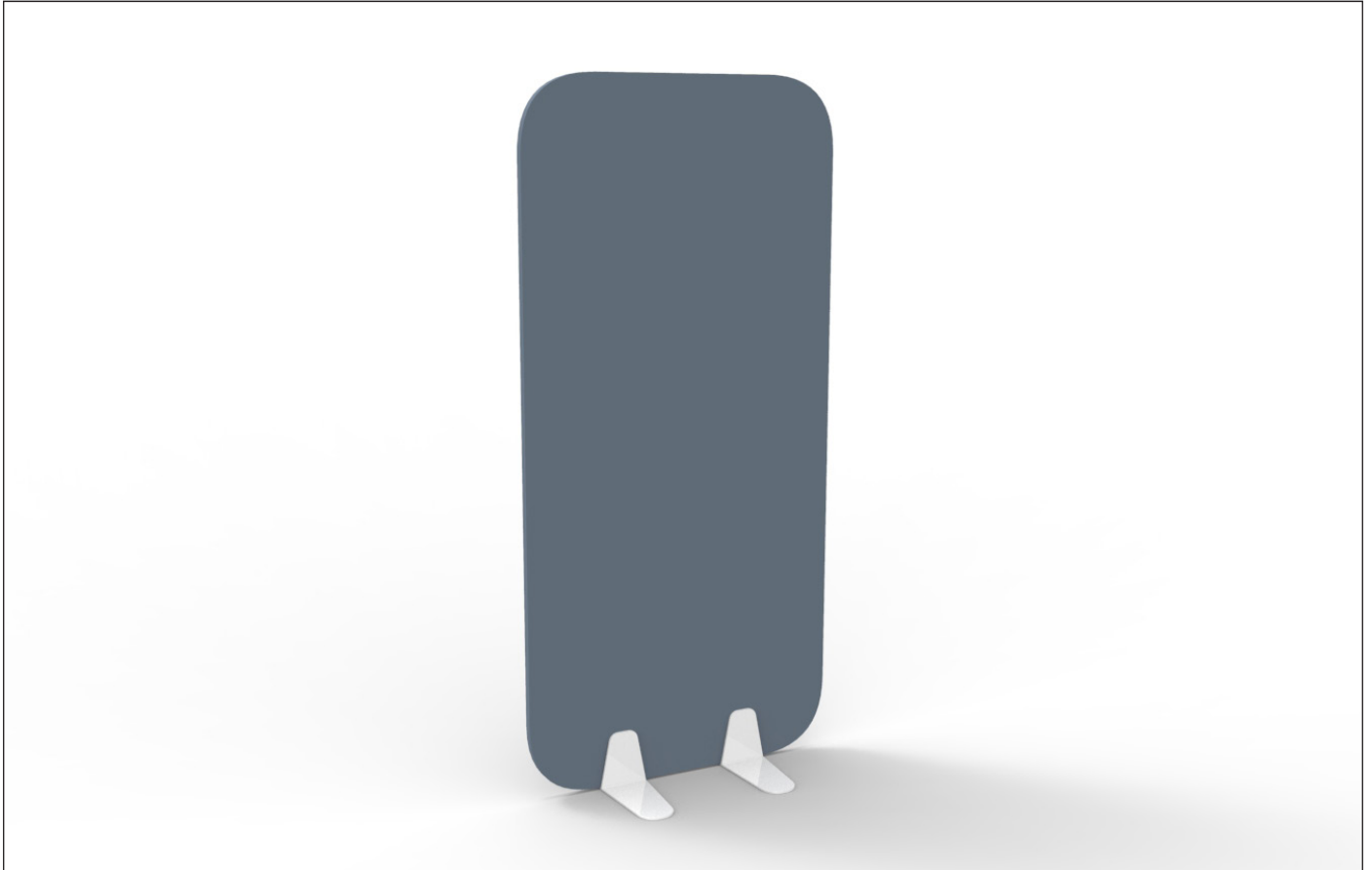
Dimensions:



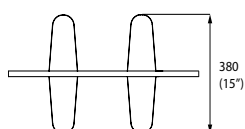
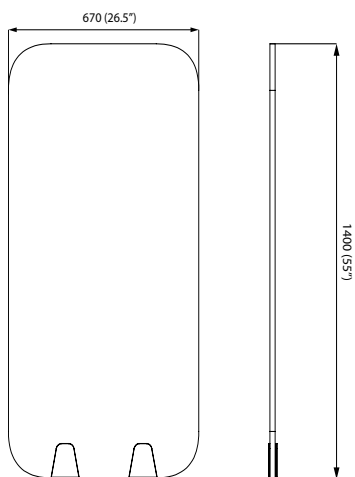
Features:

- Solid MDF internal screen
- Free standing
- Powder coated steel feet

MYR/S2



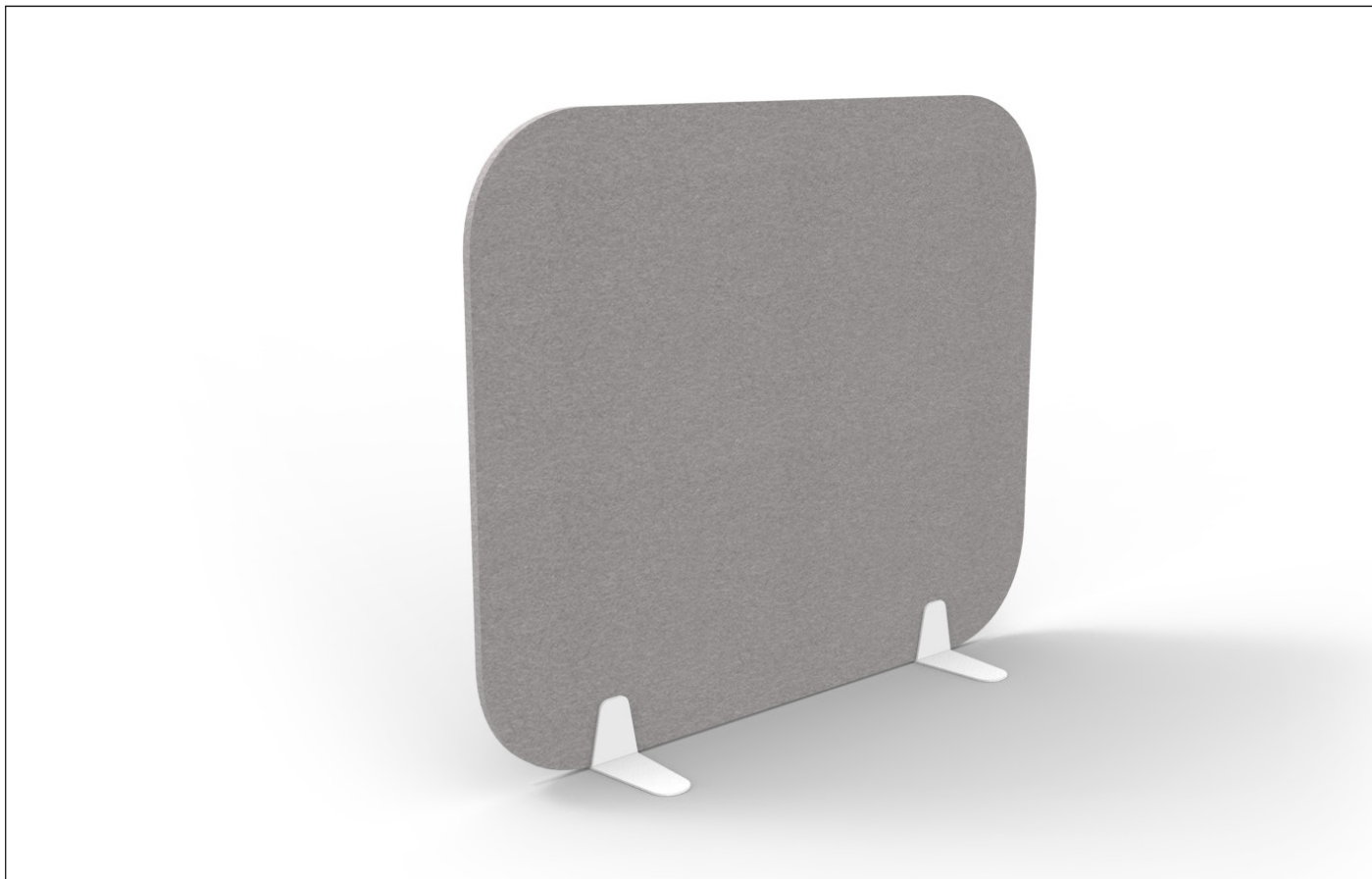
Dimensions:



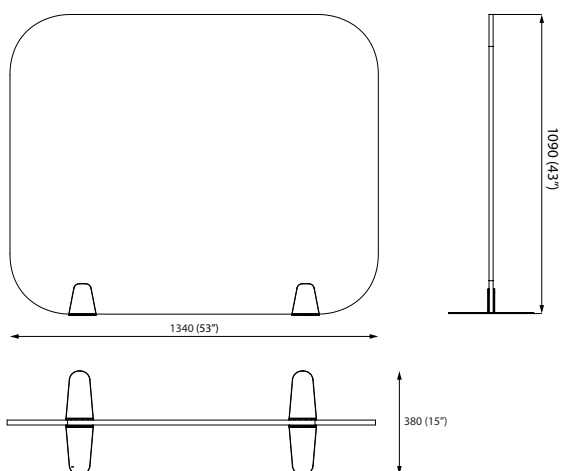
Features:

- Solid MDF internal screen
- Free standing
- Powder coated steel feet

MYR/S3



Dimensions:



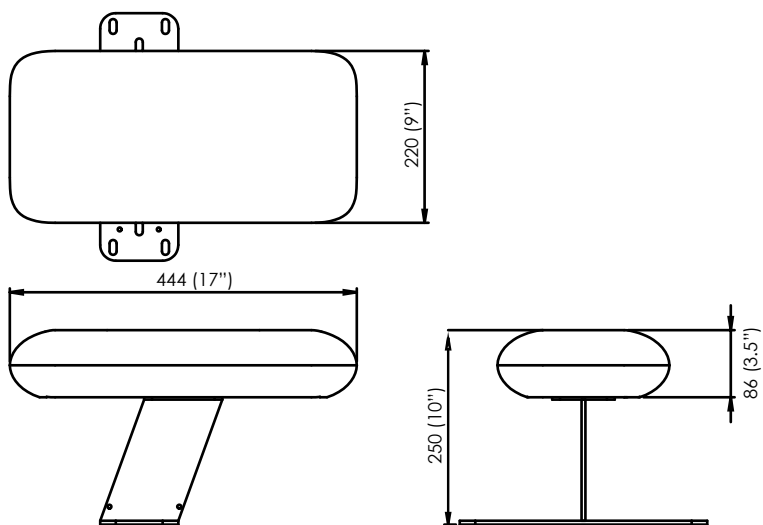
Features:

- Solid MDF internal screen
- Free standing
- Powder coated steel feet

MYR/A



Dimensions:



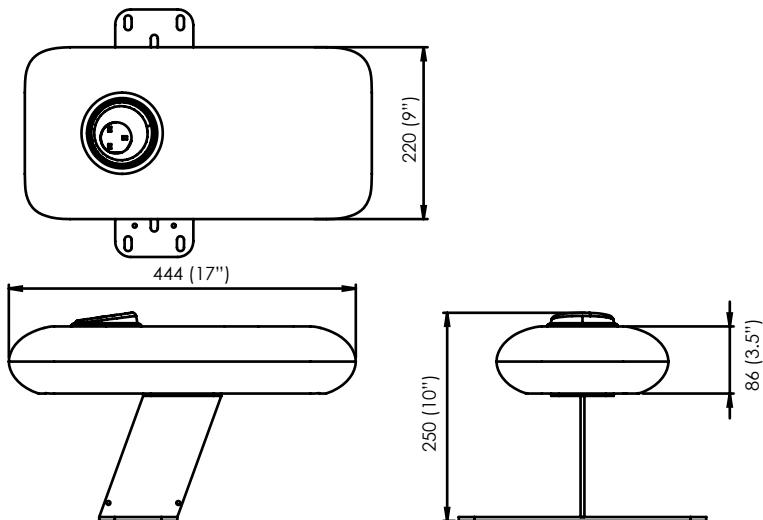
Features:

- Moulded foam arm
- Steel bracket links two pieces together

MYR/A/PIX1



Dimensions:



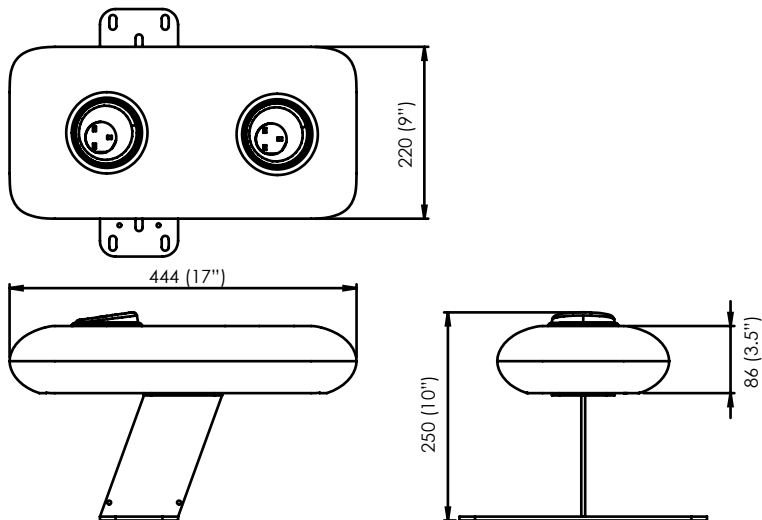
Features:

- Moulded foam arm
- Steel bracket links two pieces together
- 1 X Pixel Unit containing 1 x Power, 2 x USB chargers and 3m starter lead

MYR/A/PIX2



Dimensions:



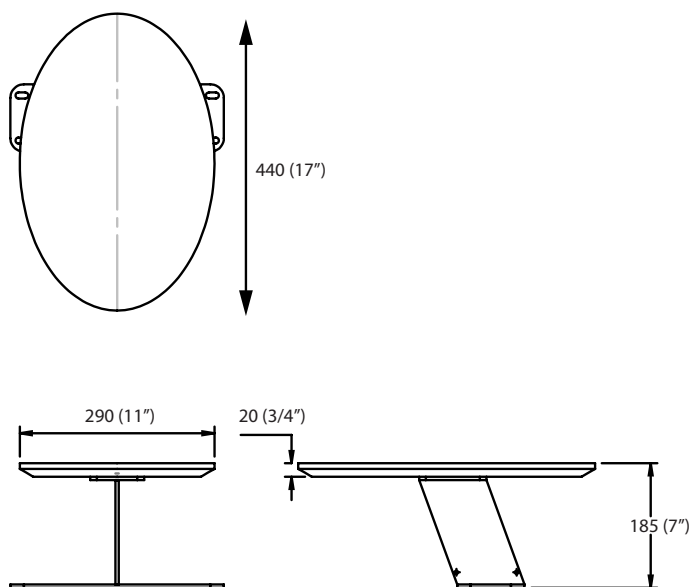
Features:

- Moulded foam arm
- Steel bracket links two pieces together
- 1 X Pixel Unit containing 1 x Power, 2 x USB chargers and 3m starter lead

MYR/A/TAB/O



Dimensions:



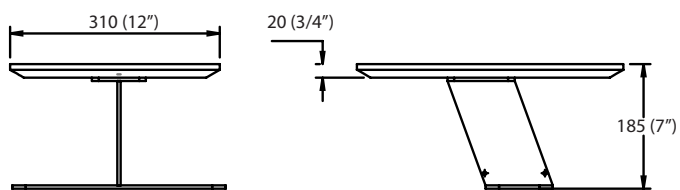
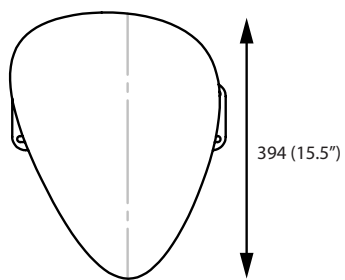
Features:

- Oval MFC of Veneer Linking arm
- Steel bracket links two Myriad pieces together

MYR/A/TAB/P



Dimensions:



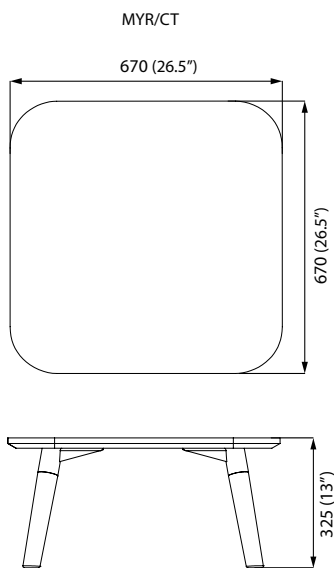
Features:

- Plectrum MFC of Veneer Linking arm
- Steel bracket links two Myriad pieces together

MTE/CT



Dimensions:



Features:

- Solid wood or MFC Top
- Choice of black or white painted leg frames
- Clear laquered European Oak or painted steel leg options
- Fixtures allow linking to upholstery