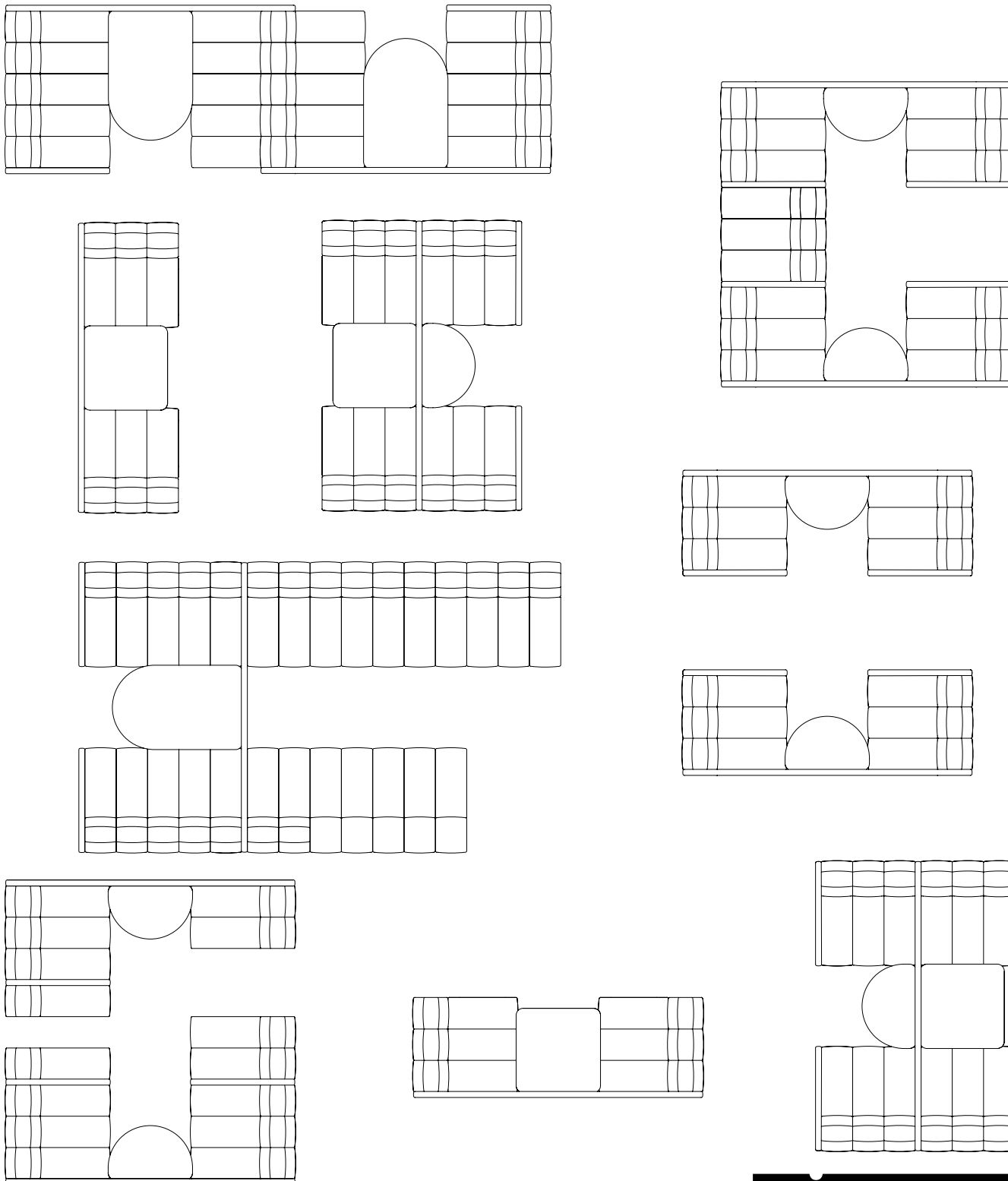
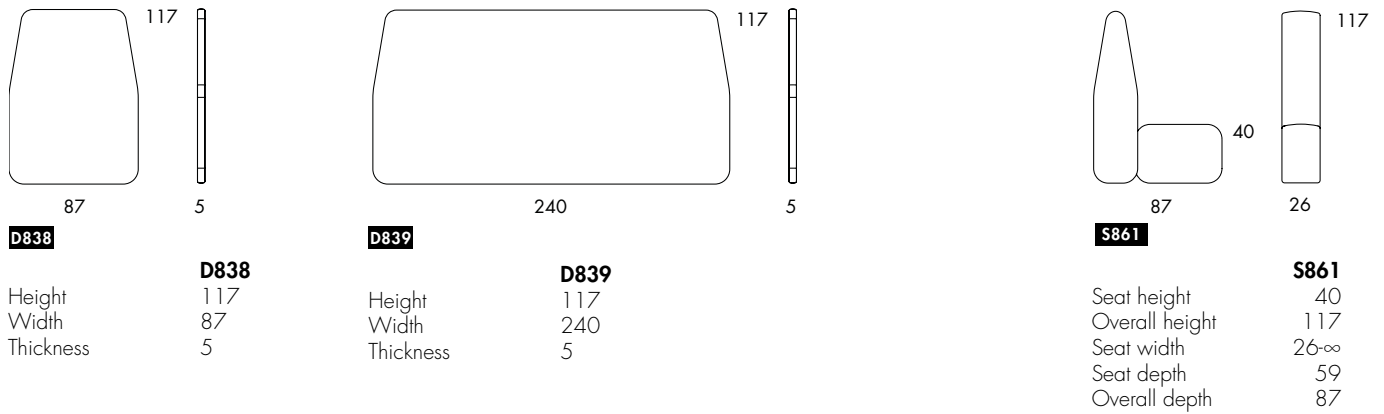
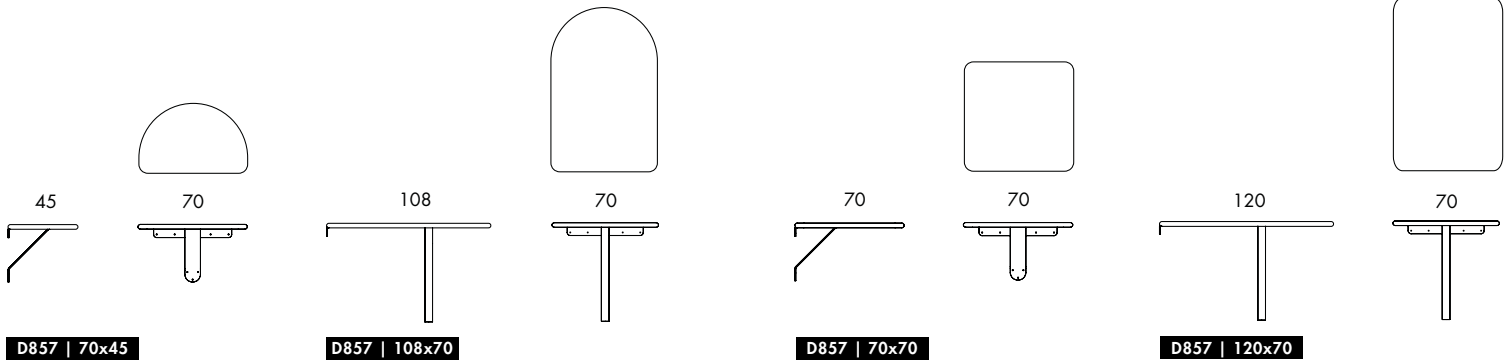


SCREEN WALLS AND TABLES TO BUILD ROOMS WITHIN ROOMS. BOB Biz Screen Walls are available in two different widths, Double and Single, we recommend that they be used together with BOB sections with a high back in direct connection. Wooden frame. Molded polyurethane upholstered in fabric or leather. Plastic feet. Built-in connection fitting. Customizable wooden tables.

BOB Biz Screen Wall Double is assembled with parallel rows of BOB modules facing each other, we recommend BOB with a high back (Back+Seat). BOB sections can be mounted on either side of the BOB Biz Screen Wall if desired. Add one or more BOB Biz Screen Wall Simple as an ending for a closed and more private configuration. Add custom-sized tables to the BOB Biz Screen Wall Double as a natural focal point or use freestanding tables. Recommended maximum number of BOB modules for BOB Biz is 10 per side, which gives a room with a length of 260 centimeters plus wall thickness of 5cm/wall.





Inspire. Create. Deliver.

P4.