

BOOTH

A wall-mounted telephone hood that provides instant and temporary privacy. The velvety shelter in every interior.



ATTENUATION

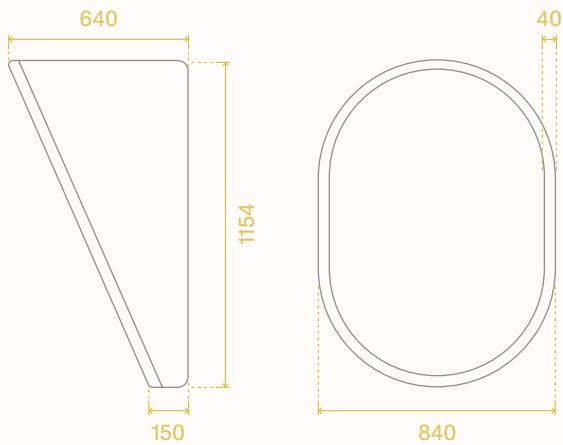


MEDIUM
& HIGH TONES

MUTE.

SHAPE AND DIMENSIONS mm

+/- 3 mm **WEIGHT** 23 kg



FIXING SYSTEMS

Booth is a product designed to be mounted on the wall.

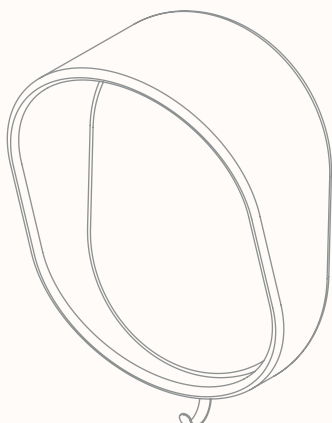
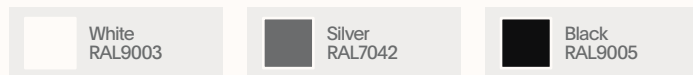
- Wall mounting screws are not included. Please select the appropriate screws and plugs for the type of wall.

COMPOSITION

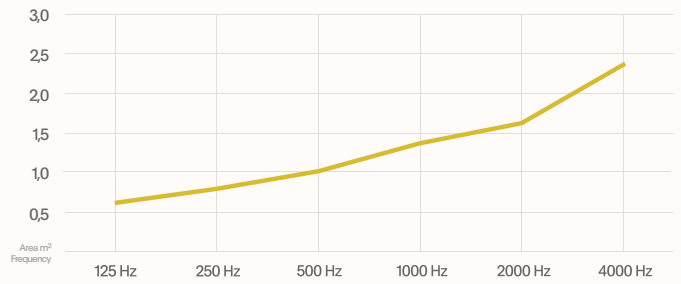
- Fabrics of choice
- HDF
- Melamine foam
- Powder coated steel hook (optional)
- Wooden pine structure

HOOK COLORS

Booth can be additionally provided with a bag hook with the load capacity of 10 kg. Available in three basic colors.



SOUND ABSORPTION A_{OBJ} PER ISO 354



USAGE

- Reception
- Open-space
- Lobby or foyer

PACKING

Booth is packed in a box with dimensions 660 × 850 × 1180 mm

SELECTION OF STANDARD FABRICS

THE ENTIRE COLOR PALETTE IS AVAILABLE ON [HTTPS://MUTE.DESIGN](https://mute.design)

NAME	PG	COMPOSITION	WEIGHT g/m ²	WIDTH mm	FLAMMABILITY	ABRASION RES. Martindale cycles	PILLING RES.
ERA by Camira	1	100% polyester	320	140	BS EN 1021-1 BS EN 1021-2	100 k	4
EVO		100% polyester	300	160	BS EN 1021-1 BS EN 1021-2	150 k	5
MEDLEY by Gabriel	2	100% polyester	364	140	BS EN 1021-1 BS EN 1021-2	75 k	5-7
MICA by Gabriel		97% post-cons. recycled polyester, 3% polyester	218	140	BS EN 1021-1 BS EN 1021-2	60 k	4-5
SPRINT by Camira		100% polyester	325	150	BS EN 1021-1 BS EN 1021-2	170 k	4
CHILI by Gabriel	3	75% post-cons. recycled polyester, 25% polyester	336	140	BS EN 1021-1 BS EN 1021-2 DIN 4102-B1	60 k	4-5
SYNERGY by Camira		95% new wool, 5% polyamide	400	140	BS EN 1021-1 BS EN 1021-2	100 k	4
REMIX 3 by Kvadrat	4	90% new wool, 10% nylon	300	140	BS EN 1021-1 BS EN 1021-2	100 k	3-4
SELECT by Gabriel		85% New Zealand wool, 15% polyamide	364	140	BS EN 1021-1 BS EN 1021-2	200 k	4-5
STEELCUT TRIO 3 by Kvadrat	5	90% new wool, 10% nylon	550	140	BS EN 1021-1 BS EN 1021-2	100 k	4

CARE

- Keep the product dry and away from air conditioning and ventilation systems
- Keep away from direct sun light and heat sources
- Vacuum regularly



Optional two-color finish. It is possible to combine two fabrics from the same grade on the back **B** and sides **S** of the product.

Inspire. Create. Deliver.

P4.