

Skate

The active chair with an attitude



sitland

Skate, a state of mind



Skate project is the evolution of ON collection, the innovative stool with a swaying system integrated in the seat able to provide balance to those who use it.

The back of the chair has been designed by Bertolini - Ferrarese and Scagnellato who have taken inspiration from the movement of the skateboard.

With Skate the designers wanted to give form to a chair that adapts to the body movements, active and dynamic with high functional performance.





*“Skateboarding is a form of expression which allows
you to live spaces freely.*

*Skating means acting independently in the space
by keeping balance and orientation.”*

Bertolini – Ferrarese – Scagnellato

Home as in the office



Skate is perfect for the office as well as for the home-office thanks to its minimal design.

A wide range of fabrics and colors are available to personalize the seat and the back (mesh or fabric).



You can choose between different types of armrest: fixed and adjustable in height or 3D adjustable for the best comfort.





Simple and intuitive

Skate was designed to be simple and intuitive.

The height adjustment is activated by pressing at any point on the patented disc under the seat that improves the user experience and introduces a new adjustment method. The lumbar support can also be adjusted according to your needs by moving it comfortably while seated.









DAT[®] Dynamic Adaptive Technology: well-being at 360°



Skate promotes physical well-being, effortlessly and at any time. Designed to stimulate movement even while seated, Skate is equipped with an original oscillation system patented by Sitland: DAT®.

DAT® Dynamic Adaptive Technology system allows the seat and backrest to oscillate freely following the dynamism of the body while always maintaining an adequate posture.

The movement of the Skate backrest is inspired by the skateboard truck, the T-shaped part that connects the wheels to the board and allows it to adapt to the movements of the skater.

Like the skater, Skate user does not need levers and knobs to adjust the swing but everything happens in harmony with their movements and according to their body weight.

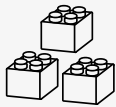


Made in Italy in harmony with the environment

Skate was designed with attention to sustainability.

71% of the suppliers involved are local: a choice that enhances Made in Italy and reduces CO2 emissions into the environment.

The high quality of the materials makes it a durable product that can be easily disassembled for recycling at the end of its life.



100%
disassembled



69%
recyclable at the end of life



71%
local suppliers

Metals	kg	%
Steel	0,23	1,33
Aluminium	4,50	26,64
Other metals	0,01	0,03

Plastic	kg	%
Plastic	5,60	33,21

Other	kg	%
Wood	2,04	12,09
Multimaterial	3,25	19,26
Polyurethane	0,78	4,62
Upholstery	0,48	2,82

Weight 16,89 100

materials

39%
other



28%
metals

33%
plastic

composition

21%
recycled



79%
virgin

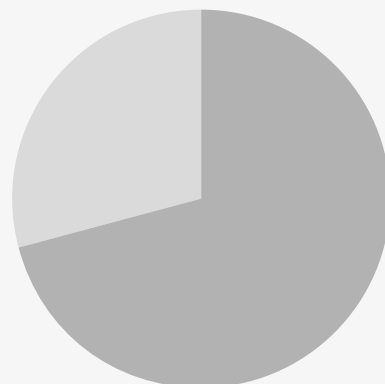
recyclability

69%
recyclable



origin

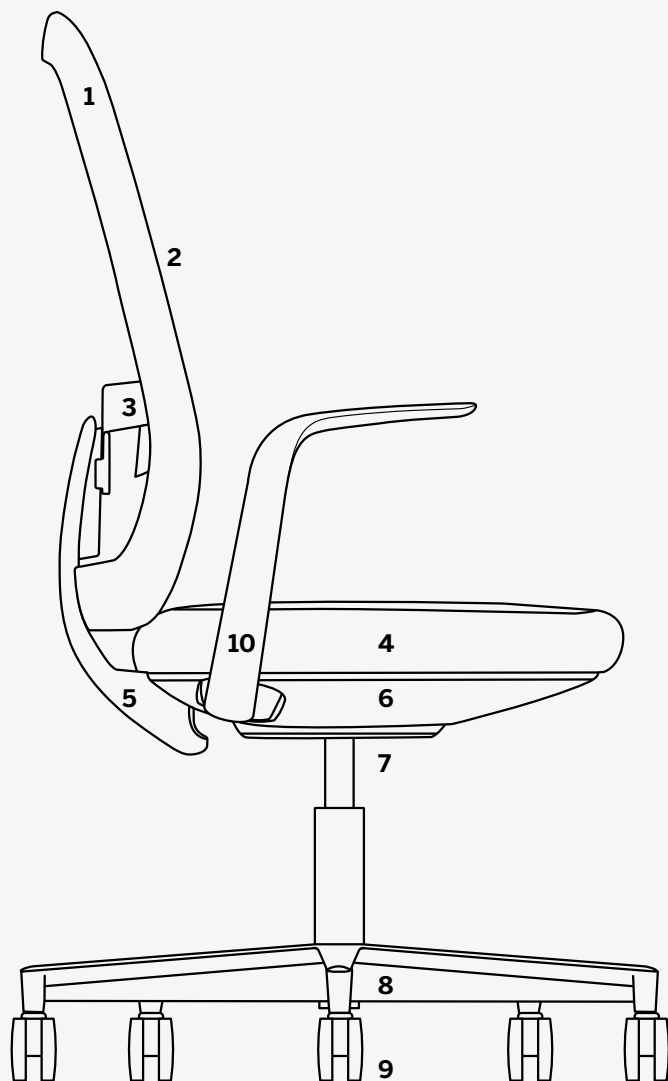
29%
>50 Km



71%
<50 Km

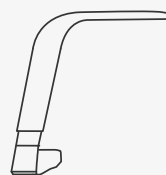
Important data on SKATE version with aluminium base and fix arms.

Technical information

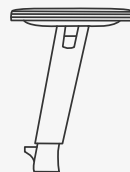


- 1 Back structure in polyamide
- 2 Back upholstery with mesh or fabric
- 3 High adjustable back lumbar support
- 4 Seat pad in fire retardant injected foam, Class 1
- 5/6 DAT® Dynamic Adaptive Technology
- 7 Seat height adjustment activated at 360°
- 8 5 Star nylon base or in aluminium diam. 700 mm
- 9 Castors diam 65 mm
- 10 Polyamide fix armrests

Armrests option

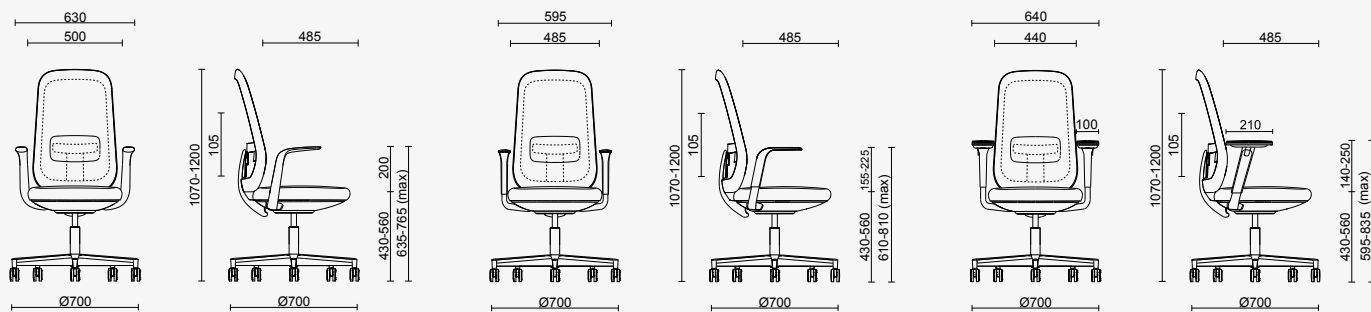


Height adjustable armrests by means of step-by-step system, support in polyamide



3D armrests adjustable in height, support in polyamide, top orientable and pivoting in TPE soft-touch

Versions and dimensions



Skate with fix armrests

Skate with "step-by-step" adjustable armrests

3D adjustable armrests

Inspire. Create. Deliver.