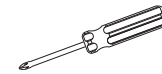


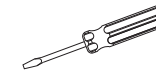
Tools Required



Safety Glasses



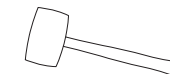
Phillips Screwdriver



Flat Screwdriver



Standard and Metric
Hex Key Set



Mallet

Tools Required



Safety Glasses



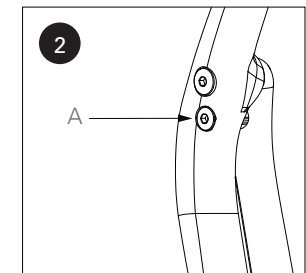
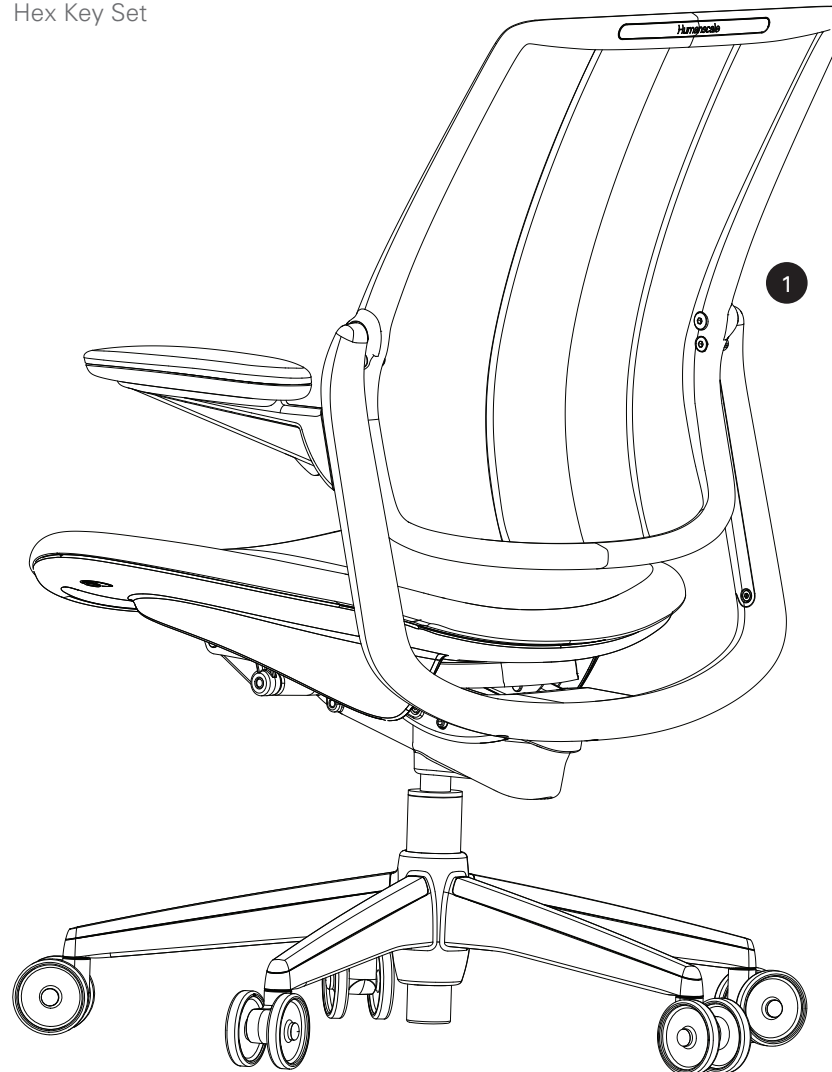
Standard and Metric
Hex Key Set

Step 1

Remove the 4 bolts holding back the frame using the allen wrench

Step 2

Install M4 screw in bolt (A) on each side of frame and pull on installed screw to remove pins. This will allow the back and all associated hardware to be removed.



Tools Required

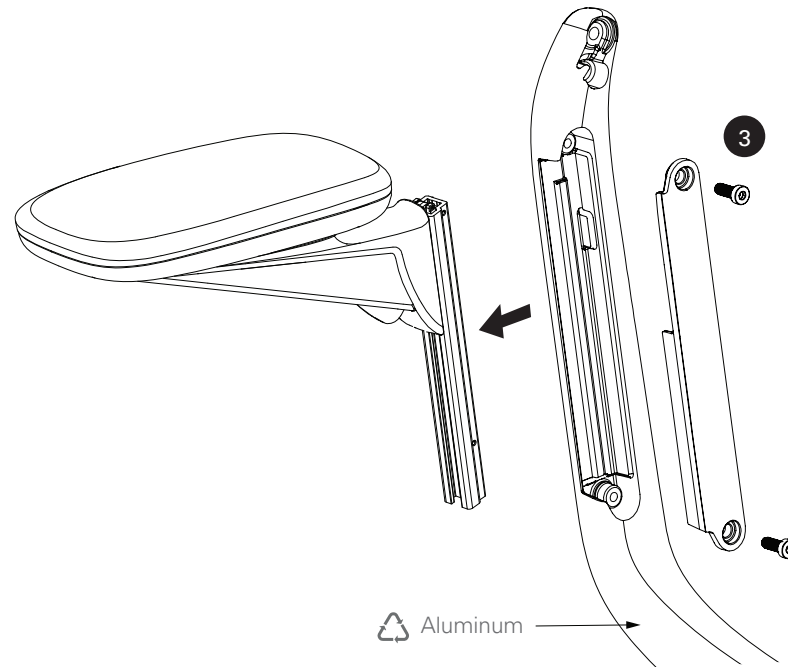
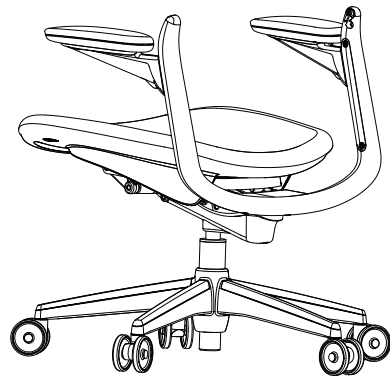


Safety Glasses



Standard and Metric
Hex Key Set

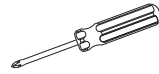
Step 3
Remove the 4 bolts holding the arm covers in place using the allen wrench. This will allow removal of the arm assemblies.



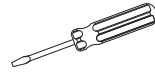
Tools Required



Safety Glasses



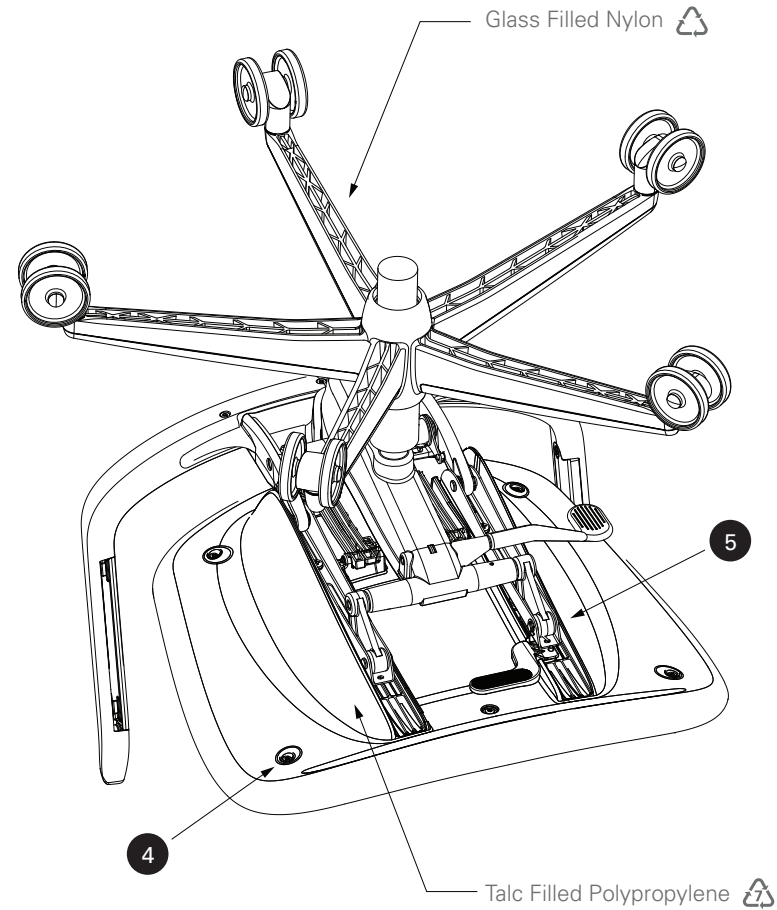
Phillips Screwdriver



Flat Screwdriver

Step 4
Remove the 5 screws on the underside of the seat using a phillips head screwdriver to release the seat upholstery.

Step 5
Remove the 4 spring clips using a flat screw driver, then remove the 4 pins to release the seat assembly from the chair.



Tools Required



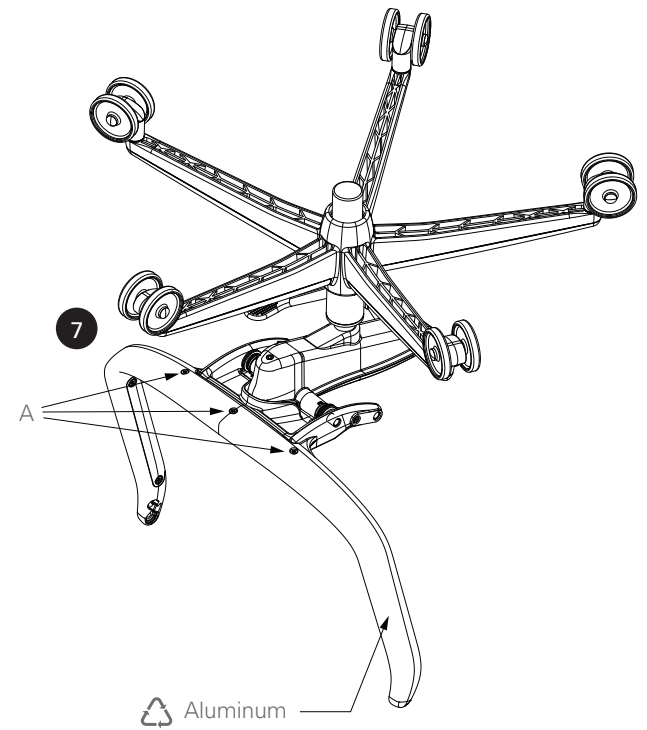
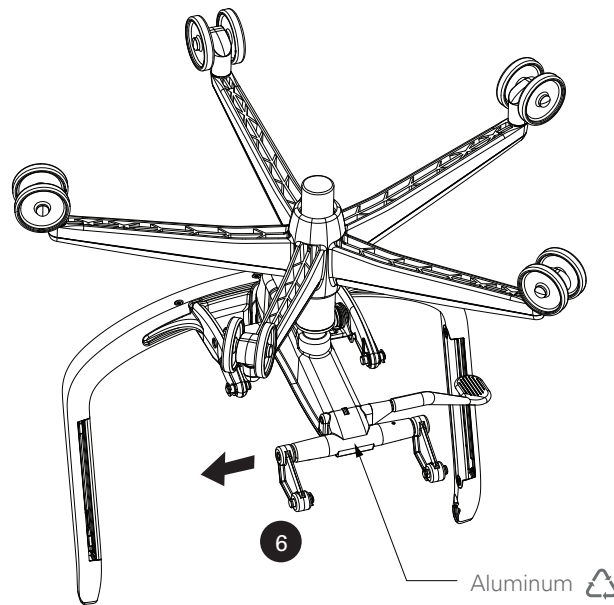
Safety Glasses



Standard and Metric
Hex Key Set

Step 6
Remove the 2 front links by pulling them out.

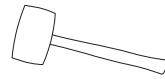
Step 7
Remove 3 screws (A) using an allen-wrench to release the back frame.



Tools Required



Safety Glasses



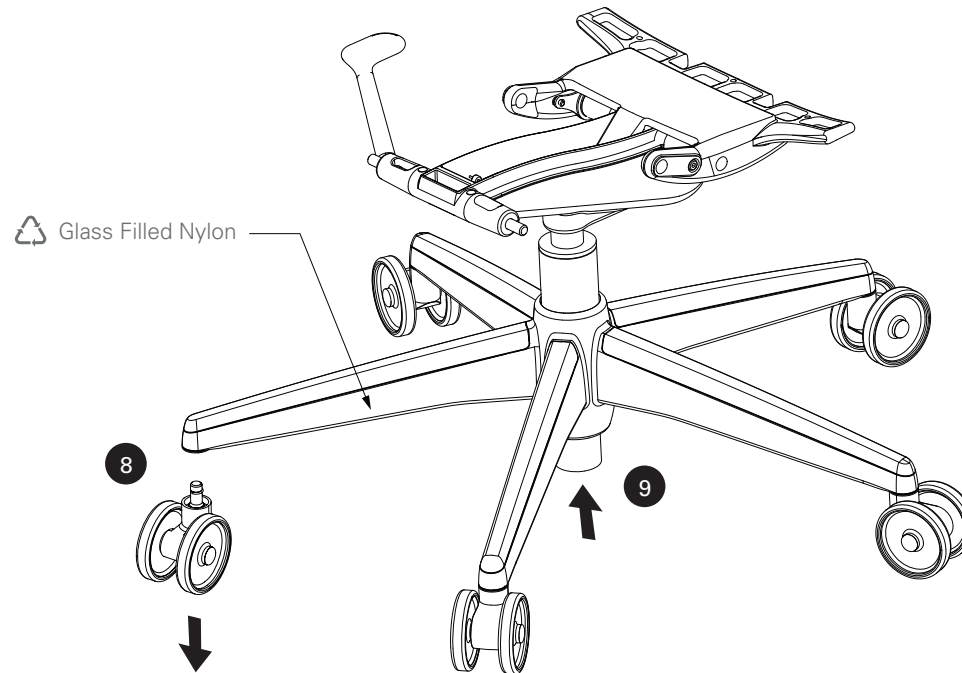
Mallet

Step 8

Remove the 5 casters by pulling them out by hand.

Step 9

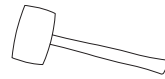
Release the has cylindar from the base by hitting it out with a hammer.



Tools Required



Safety Glasses



Mallet



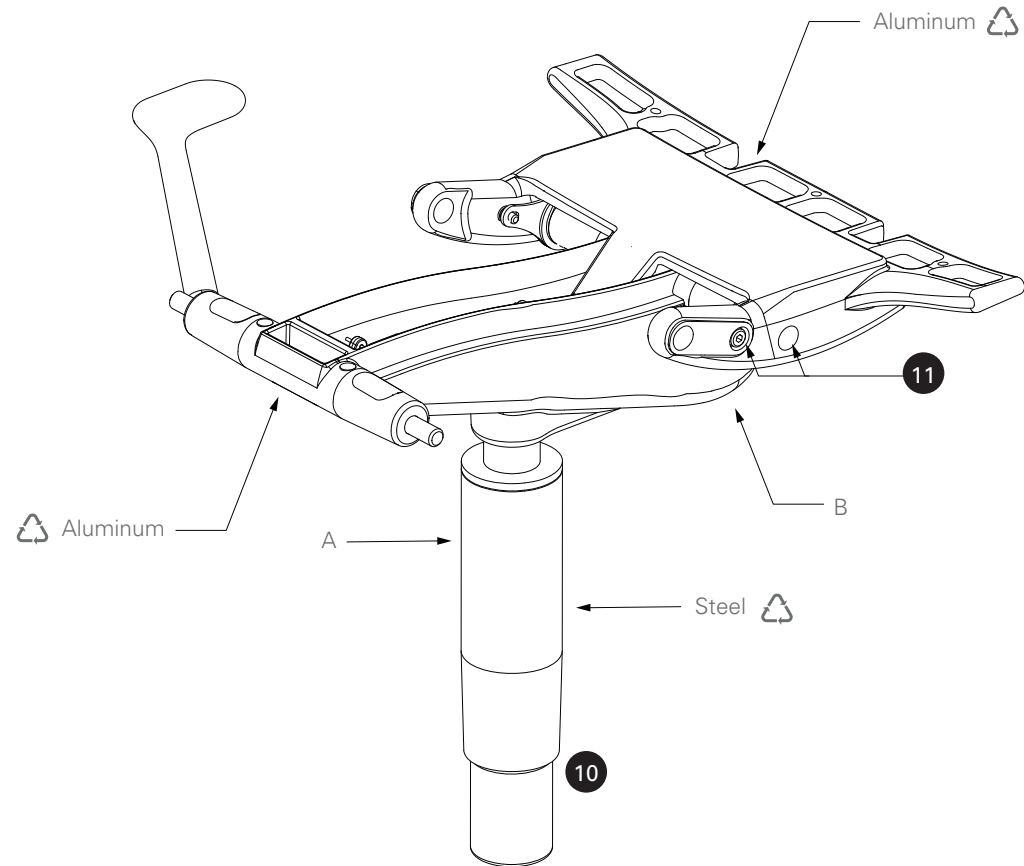
Standard and Metric Hex Key Set

Step 10

Remove the gas cylinder from the mechanism by holding onto the gas cylinder (A) and hitting the mechanism (B) with a hammer.

Step 11

Remove the 4 bolts using the allenwrench to release the rear section of the mechanism.



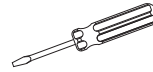
Tools Required



Safety Glasses



Standard and Metric Hex Key Set



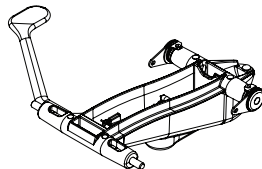
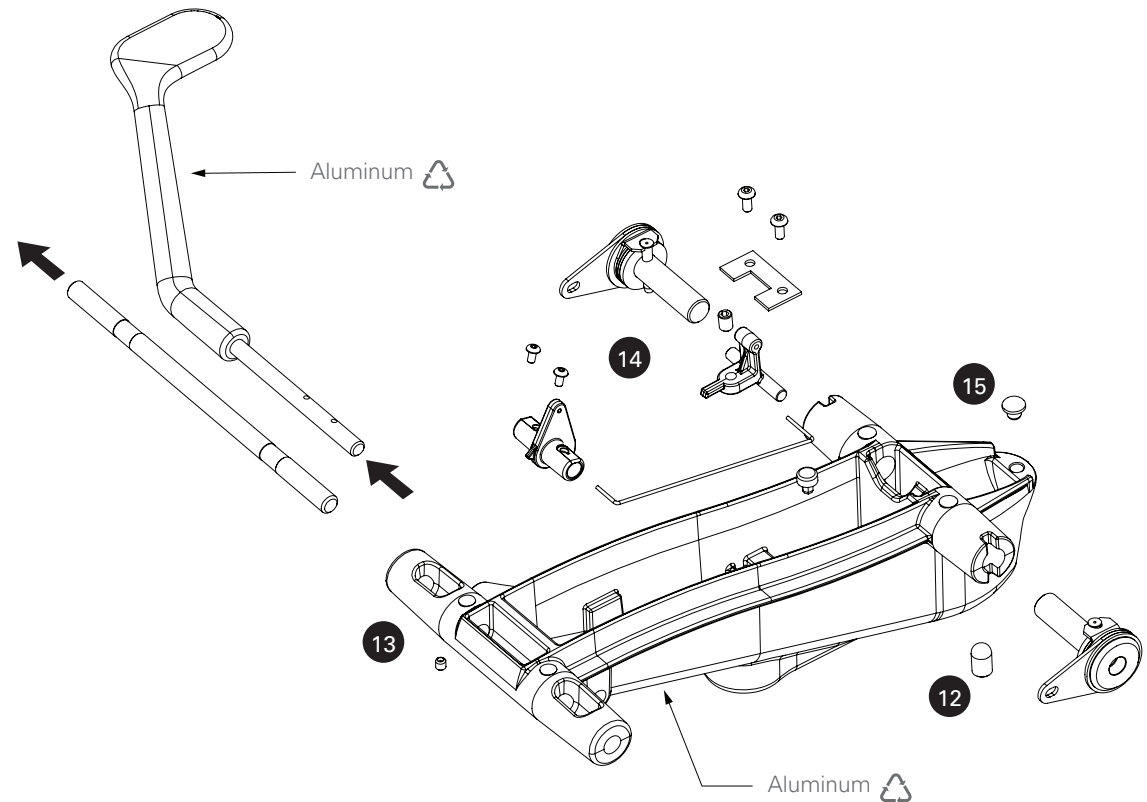
Flat Screwdriver

Step 12
Remove screw using allenwrench to release all spring components.

Step 13
Remove set screw and pull out rod.

Step 14
Remove 4 screws with the allenwrench to release the internal mechanism components.

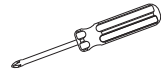
Step 15
Remove the two bumpers by prying out with a flat screwdriver.



Tools Required



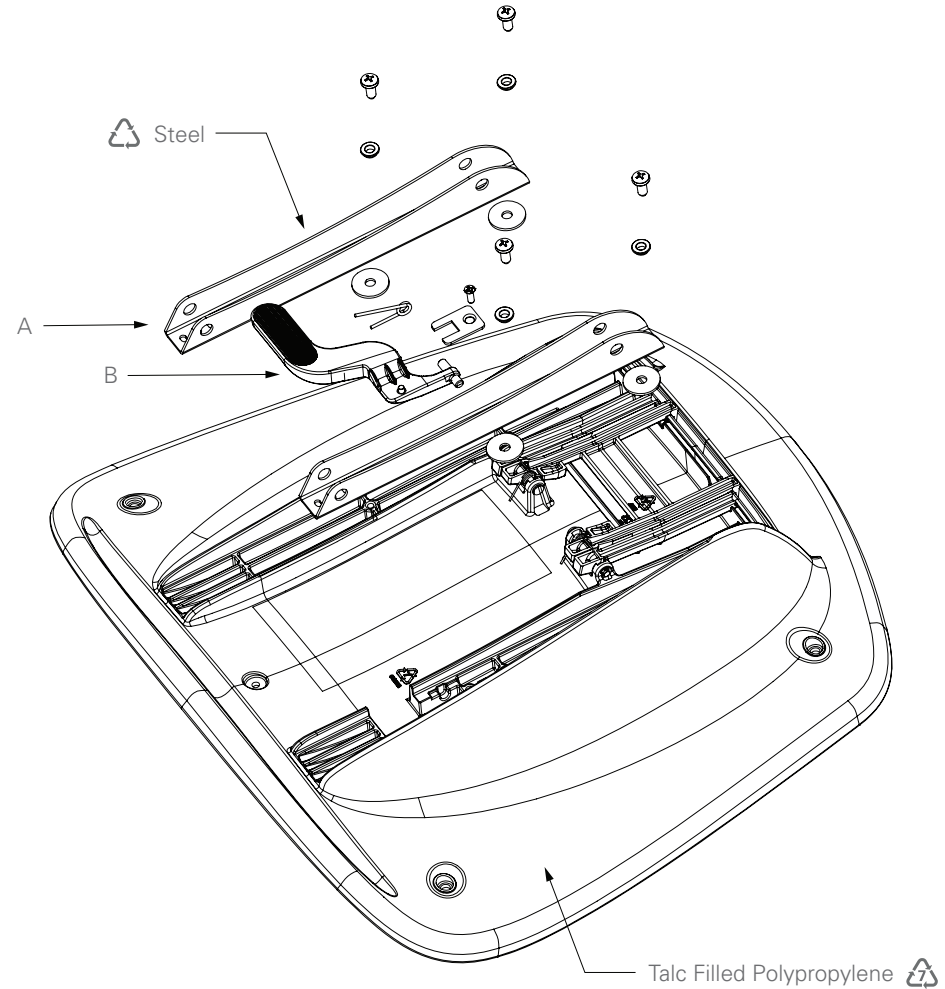
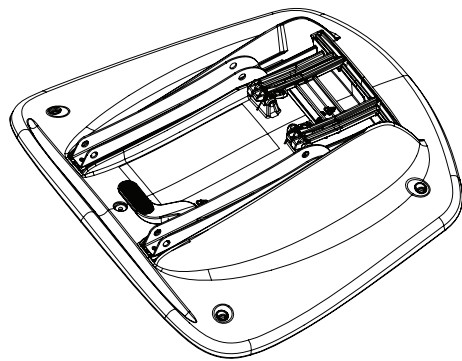
Safety Glasses



Phillips Screwdriver

Step 16

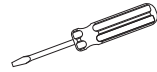
Remove 5 screws using phillips screwdriver to release rails (A) and seat slide lever (B).



Tools Required

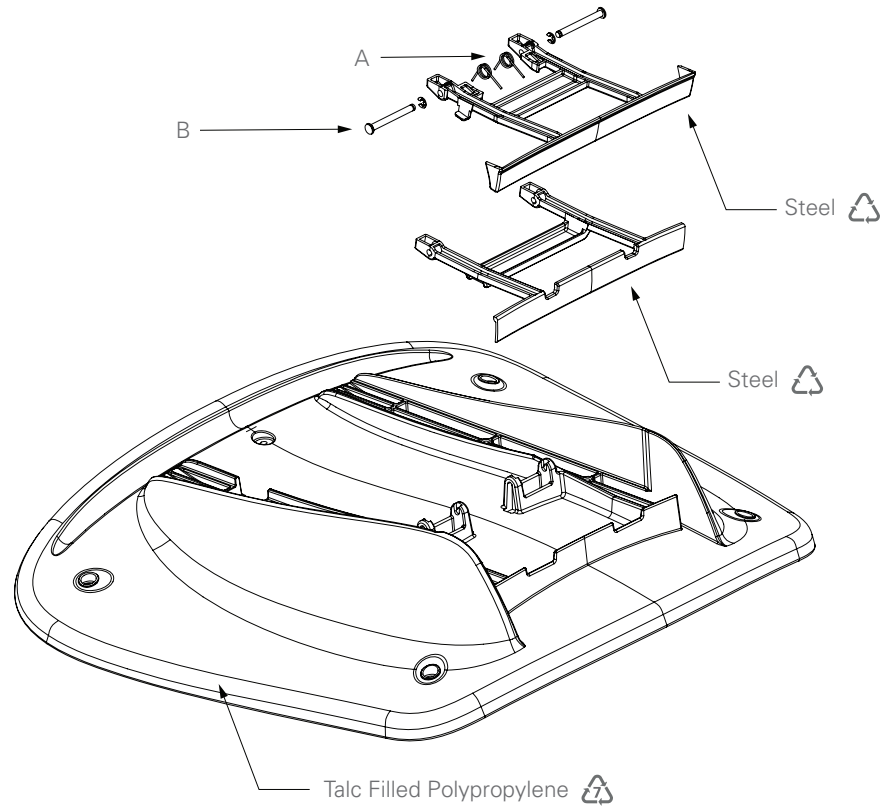
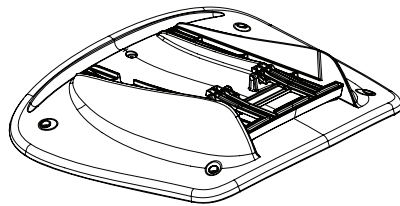


Safety Glasses



Flat Screwdriver

Step 17
Remove 2 e-clips (A) using flat screwdriver and pull the 2 pins (B) out to release shutters.



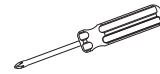
Tools Required



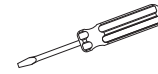
Safety Glasses



Standard and Metric Hex Key Set



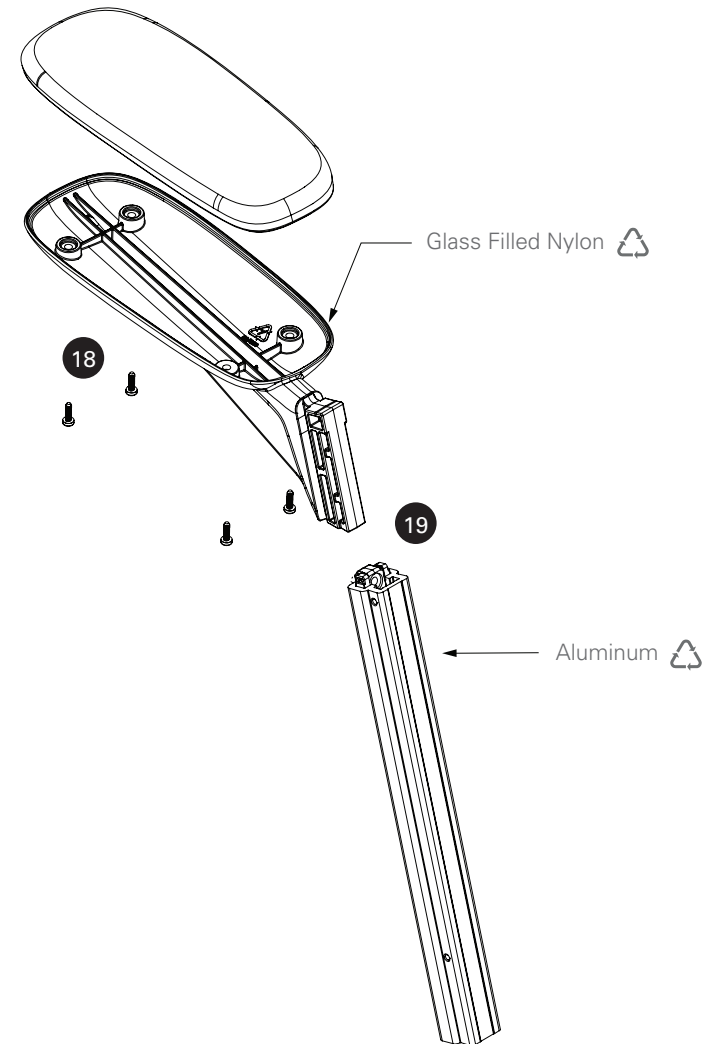
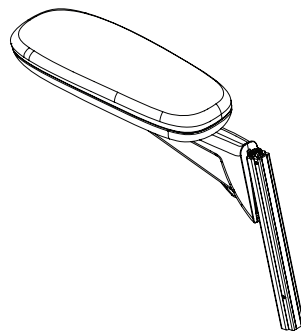
Phillips Screwdriver



Flat Screwdriver

Step 18
Remove the 4 screws from under the armrest to release the armpad.

Step 19
Press trigger to slide arm out of the aluminum rail.



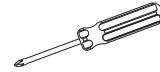
Tools Required



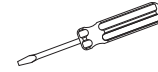
Safety Glasses



Standard and Metric Hex Key Set



Phillips Screwdriver



Flat Screwdriver

Step 20
Remove all screws and completely disassemble.

Step 21
Remove screw with allenwrench to release the arm trigger.

