



World LM is an updated version of Niels' renowned World chair, the most minimal, yet fully functional task chair ever made. Featuring the same innovative tri-panel mesh backrest and weight-sensitive recline as its predecessor, World LM is a cost-effective solution that delivers unmatched ergonomic support and the ultimate user-friendly sitting experience.

Like all Humanscale chairs, World LM's design eliminates the need for traditional mechanisms by using the laws of physics and the sitter's body weight to offer a perfect recline. World LM features adjustable armrests that are attached to the back of the chair and move with the user, providing custom comfort throughout the workday.

### Sustainability Certification

SCS Indoor Advantage™ Gold

BIFMA LEVEL® 3

DECLARE® - Red List Free

Health Product Declaration (HPD)

### Warranty

12 Years, Component and Parts

5 Years, Fabric/Cushions

### Features

- Weight Compensation Recline utilizes the sitter's weight to provide automatic and personalized support in any position without the need for adjusting knobs and levers
- Pivoting backrest automatically moves with the sitter, offering perfect lumbar support throughout different postures/positions
- Tri-panel back with Form Sensing Mesh™ technology provides tailor-made lumbar support that instantly adjusts to each sitter without knobs, levers, or button
- Comes in classic all-mesh design or with optional contoured foam seat. Foam seat is sculpted to reduce pressure points and provide exceptional weight distribution, supporting long-term comfort and improved circulation
- Fits 95% of the population: Height: 5'0" - 6'4" (152 cm - 193 cm); Weight: 100 lbs - 400 lbs (45.4 kg - 181.4 kg)
- Stool Height option available
- Caster Options: Hard, Soft

## Material and Color Options

### Frame

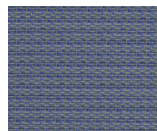


Black



Gray

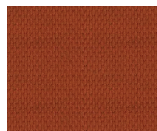
### Mesh



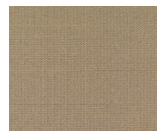
Catena  
5 Colors

### Upholstered Seat Textile Options

Fabric



Corde 4  
13 Colors



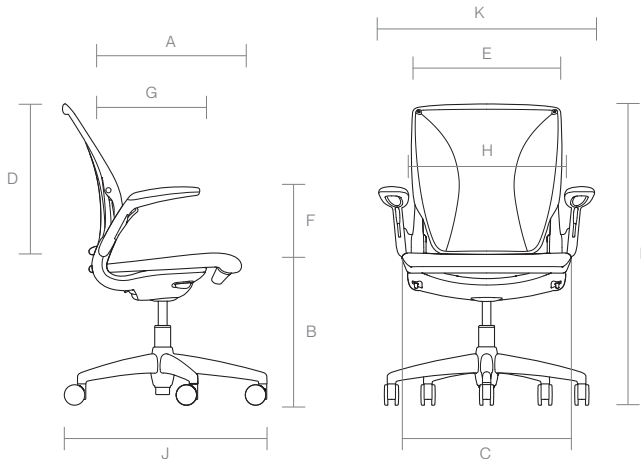
Autumn  
14 Colors

Seating

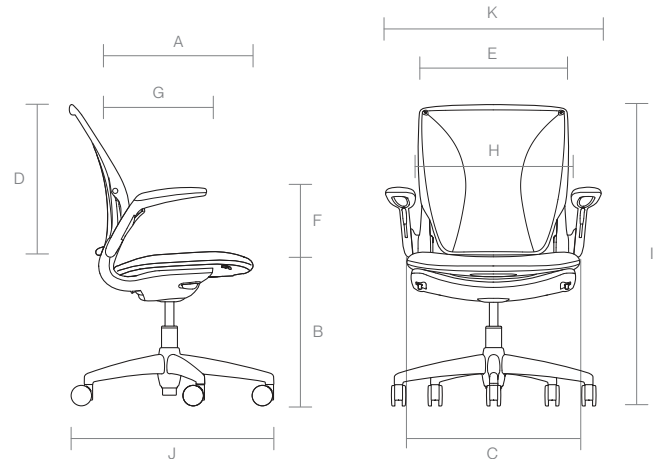
# Product Specifications

	Imperial	Metric
A Seat Depth	16.4 in Mesh 17.9 in Upholstered	416 mm Mesh 454 mm Upholstered
B Seat Height	15.6 in - 20.7 in, Standard Cylinder - Mesh 16 in - 21 in, Standard Cylinder - Upholstered 18.1 in - 25.6 in – 8" High Cylinder w/ 20" Foot Ring	397 mm - 527 mm, Standard Cylinder - Mesh 425 mm - 545, Standard Cylinder - Upholstered 460 mm - 651 mm – 203 mm High Cylinder w/ 508 mm Foot Ring
C Seat Width	20.2 in Mesh 20.8 in Upholstered	513 mm Mesh 528 mm Upholstered
D Backrest Height	22.5 in	572 mm
E Backrest Width	19 in	483 mm
F Armrest Height	9.5 in Fixed 7.2 in - 10.75 in Adjustable	241.3 mm Fixed 183 mm - 273 mm Adjustable
G Armrest Length	8.4 in	213 mm
H Distance Between Armrests	18.75 in	476.25 mm
I Height	35.6 in - 40.75 in – Standard Cylinder 38.1 in - 45.6 in – 8" High Cylinder w/ 20" Foot Ring 35 in - 39.75 in – 5" Return-to-Height Cylinder	905 mm - 1,035 mm – Standard Cylinder 968 mm - 1,159 mm – 203 mm High Cylinder w/ 508 mm Foot Ring 889 mm - 1,010 mm – 127 mm Return-to-Height Cylinder
J Base Diameter	25in with Arms 21 in without Arms	635 mm with Arms 533 mm without Arms
K Chair Width	25.75 in	654 mm
Chair Weight	26 lbs Armless 27 lbs Arms	11.8 kg Armless 12.2 kg Arms
Recline Range	17° Recline + 8° Backrest Tilt	

Mesh



Upholstered



**Inspire. Create. Deliver.**