



Multipurpose tables

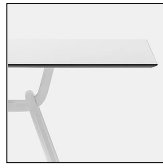
Tables with HPL top. Powder-coated steel base. Scratch-resistant polymer spherical caps. Versions with "outdoor" treatment for external use.



TYPES



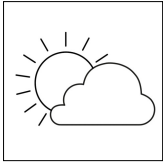
Round white or black HPL top



Square white or black HPL top



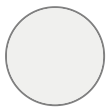
Steel base



Options with "outdoor" treatment for outdoor use
Lead time to be agreed

COLORS

HPL top

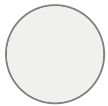


White
RAL 9003



Black
RAL 9005

Painted steel base

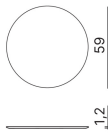


White
RAL 9003

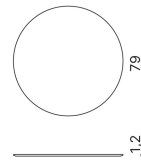


Black
RAL 9005

HPL TOP



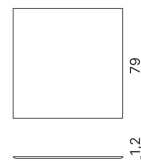
Round HPL top d.60



Round HPL top d.80



Square HPL top 60×60

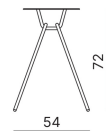


Square HPL top 80×80

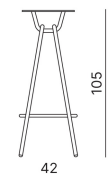
4-LEG PAINTED STEEL BASE



4-leg base h.42
For all round and square tops



4-leg base h.72
Only for round d.80 and square 80×80 tops

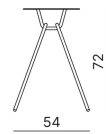


4-leg base h.105
Only for round top d.60 and d.80 and square top 60×60

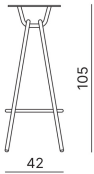
4-LEG PAINTED STEEL BASE OUTDOOR



Outdoor 4-leg base h.42
For all round and square tops



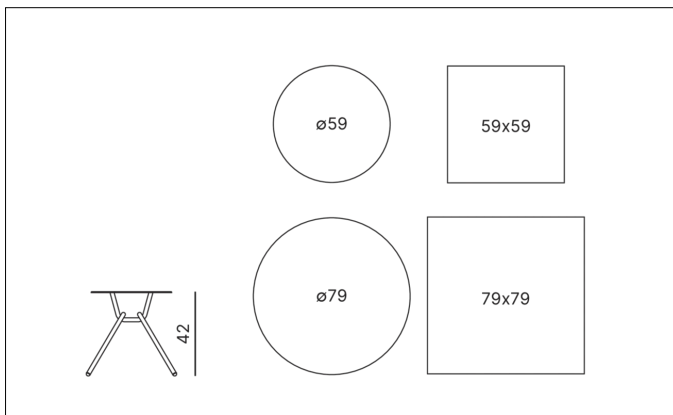
Outdoor 4-leg base h.72
Only for round d.80 and square 80x80 tops



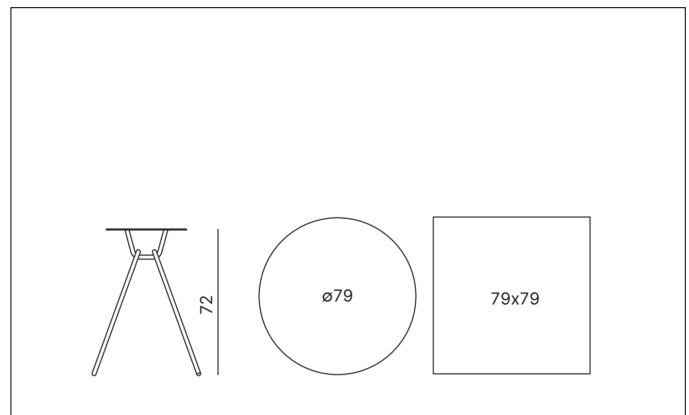
Outdoor 4-leg base h.105
Only for round top d.60 and d.80 and square top 60x60



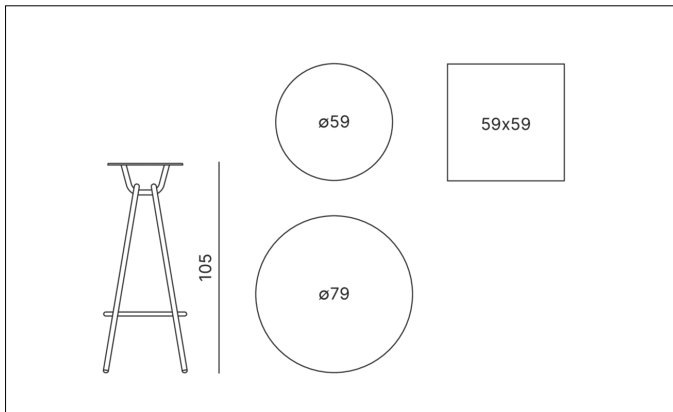
ADDITIONAL NOTES



Tops combination with bases h.42
With all round and square tops



Tops combination with bases h.72
Only with round d.80 and square 80x80 top



Tops combination with bases h.105
Only with round d.60 and square 60x60 top

INFO



NOTES

The colours of tops and tables are interchangeable with each other. Tables h.74 can be only mounted with round d.80 top and square 80x80 top. Tables h.110 can be only mounted with round d.60 and d.80 tops, and square 60x60 top.

Inspire. Create. Deliver.