

VERGÉS

CARE

Inclusive
Furniture
for Everyone

VERGÉS CARE

We CARE about well-being.



At Vergés we aspire to ensure that as many people as possible can enjoy functionality and comfort. With this starting point in mind, we understand that we are all different, which is why we want to embrace different abilities and work with an inclusive perspective, designing accessible, robust and comfortable furniture.

In these collections we focus on giving priority to ergonomics, accessibility and comfort to contribute to create welcoming environments in spaces such as residences, hospitals, civic centres, libraries, hotels and all kind of intergenerational / age friendly environments, in which all people can stay and live in the safest and most autonomous way possible.

En Vergés aspiramos a que el mayor número de personas puedan disfrutar de la funcionalidad y el confort. Con este punto de partida entendemos que todos somos diferentes, por eso queremos abrazar las distintas capacidades y trabajar con una perspectiva inclusiva diseñando muebles accesibles, robustos y confortables.

En estas colecciones damos importancia a la ergonomía, la accesibilidad y la comodidad para contribuir a crear ambientes amables en espacios como residencias, hospitales, centros cívicos, bibliotecas, hoteles y cualquier entorno intergeneracional - age friendly, en los cuales todas las personas puedan vivir de la forma más segura y autónoma posible.

Care Collections

Bahía
Armchairs



P.04

Mediterránea
Armchairs & Ottoman



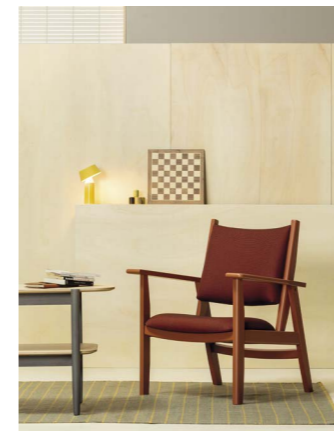
P.20

Selva
Side tables



P.34

Albufera
Armchairs



P.12

Delta
Chairs & Armchairs



P.26

Muga
Tables



P.40

Bahía Collection

Designed by Emiliana Design Studio

Bahía is the contemporary version of the traditional armchair suitable for long periods of resting, reading or chatting. It is characterised by its curved lines that give it personality and warmth, as well as an enveloping backrest in curved wood that holds the person sitting in it.

Its seat on tensioned straps makes it a very comfortable armchair and the design of its armrests makes it easier to sit down and get up.

Bahía es la versión contemporánea del tradicional sillón orejero indicado para periodos largos de descanso, lectura o tertulia. Se caracteriza por sus líneas curvas que le aportan personalidad y calidez, así como por un respaldo envolvente de madera curvada que parece abrazar a quien se sienta en ella.

Su asiento sobre cinchas tensadas la convierte en una butaca muy confortable, mientras que el diseño de sus apoyabrazos permite sentarse y levantarse con mayor facilidad.

Bahía armchair with headrest / Ref. 151 / Structure and backrest: beech wood dyed Sand 26 EM
Seat and backrest: upholstered Gabriel Crisp 4702





Bahía armchair with headrest / Ref. 151 / Structure and backrest: beech wood dyed Sand 26 EM
Seat and backrest: upholstered Gabriel Crisp 4702





Bahía Collection



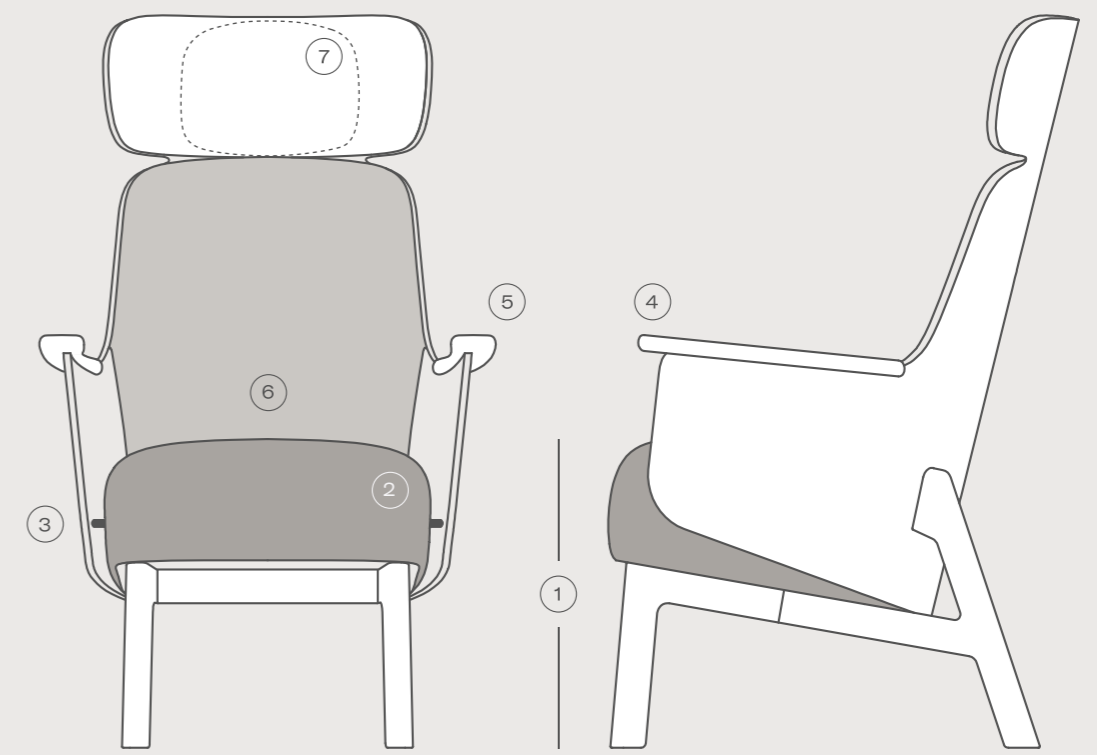
1. **Bahía armchair** / Ref. 150 / Structure and backrest: lacquered beech wood RAL 8004 EM
Seat and backrest: upholstered Gabriel Swing 52005
2. **Bahía armchair** / Ref. 150 / Structure and backrest: beech wood dyed Sand 26 EM
Seat and backrest: upholstered Gabriel Crisp 4721



Detail of the sanitary gap of the Bahía armchair.

Bahía Collection

- 1.** Optimal seat height to make it easy to sit down and get up.
Altura del asiento óptima para facilitar sentarse y levantarse.
- 2.** Cushion on elastic straps for comfortable sitting during long periods of rest.
Cojín sobre cinchas elásticas para una sentada confortable en largos períodos de descanso.
- 3.** Sanitary gap. The space between the seat and backrest allows breathability and avoids the accumulation of bacteria.
Ranura sanitaria. El espacio entre el asiento y el respaldo favorece la transpiración y evita rincones donde puede alojarse suciedad y bacterias.
- 4.** Armrests designed to facilitate grip when sitting down and getting up.
Apoyabrazos diseñado para facilitar el agarre al sentarse y levantarse.
- 5.** Rounded edges to avoid injuries and bruises.
Cantos redondeados para evitar heridas y contusiones.
- 6.** Optimum lumbar support for maximum comfort.
Óptimo apoyo lumbar para máximo confort.
- 7.** In the high version, the cervical support is optionally accompanied by the adaptable cushion.
La versión alta ofrece opcionalmente un cojín adaptable para el apoyo cervical.



Collection Models

Bahía armchair with headrest
H114 x W51 x D75,5
Seat: 49 cm

Bahía armchair
H92 x W51 x D75
Seat: 49 cm

Accessories

Bahía cushion for headrest
(optional)

Albufera Collection

Designed by Emiliana Design Studio

Albufera is an armchair with sober lines, with an honest and timeless design. The combination of a solid wood structure and a plywood seat and backrest make it an extremely robust, stable and very comfortable armchair for resting and waiting areas. The height of the seat and the design of the armrests make it easy to sit down and get up. The Albufera collection has two backrest heights available.

Albufera es una butaca de líneas sobrias, con un diseño honesto y atemporal. La combinación de una estructura de madera maciza y contrachapado para el asiento y respaldo, la convierten en una butaca extremadamente robusta, estable y muy confortable para espacios de descanso y espera. La altura del asiento y el diseño del apoyabrazos permiten sentarse y levantarse de ella con mayor facilidad. La colección Albufera está disponible en dos alturas de respaldo.

1. **Albufera armchair** / Ref. 176 / Structure and backrest: beech wood varnished natural EM
Seat and backrest: upholstered Gabriel Swing 52005
2. **Albufera armchair** / Ref. 176 / Structure and backrest: lacquered beech wood RAL 8004 EM
Seat and backrest: upholstered Gabriel Swing 52005





1. **Albufera armchair** / Ref. 176 / Structure and backrest: lacquered beech wood RAL 8004 EM
Seat and backrest: upholstered Gabriel Swing 52005
2. **Selva rectangular table** / Ref. 131 / Structure: dyed beech wood Grey 79 EM
Top: natural varnished beech wood EM





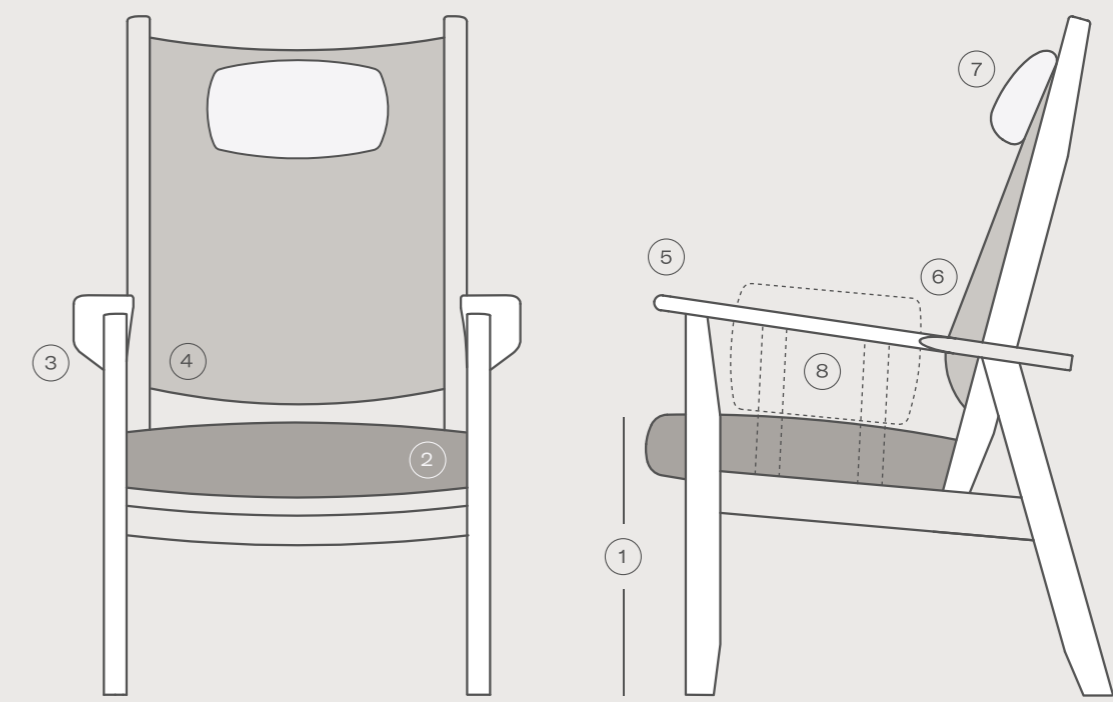
Albufera armchair with headrest/ Ref. 177 /Structure and backrest: beech wood dyed Salvia 10 EM
Seat and backrest: upholstered Gabriel Swing 53218



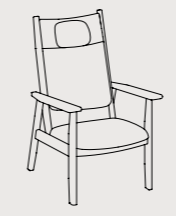
Albufera Collection




- 1.** Optimal seat height to make it easy to sit down and get up.
Altura del asiento óptima para facilitar sentarse y levantarse.
- 2.** Thick foam cushion to provide comfort during long periods of time.
Cojín grueso de espuma para una sentada confortable en largos períodos de descanso.
- 3.** Rounded edges to avoid injuries and bruises.
Cantos redondeados para evitar heridas y contusiones.
- 4.** The space between the seat and backrest allows breathability and avoids the accumulation of bacteria.
El espacio entre el asiento y el respaldo favorece la transpiración y evita rincones donde pueda alojarse suciedad y bacterias.
- 5.** Wide armrests that offer comfort over long periods of time and are also designed to facilitate grip when sitting down and getting up.
Apoyabrazos ancho que además sobresale de la pata para facilitar el agarre en el momento de sentarse y levantarse.
- 6.** Optimum lumbar support for maximum comfort.
Óptimo apoyo lumbar para máximo confort.
- 7.** The high back version provides cervical support by means of a height-adjustable cushion.
La versión de respaldo alto, provee el apoyo cervical mediante un cojín regulable en altura.
- 8.** Optional side cushions for maximum comfort.
Cojines laterales opcionales para máxima comodidad.



Collection Models

- 

Albufera armchair with headrest
H114 x W75 x D83
Seat: 46 cm
- 

Albufera armchair
H93 x W75 x D72
Seat: 46 cm

Accessories

- 

Albufera side cushion (optional)

Albufera armchair / Ref. 176 / Structure and backrest: beech solid wood varnished natural EM
Seat and backrest: upholstered Gabriel Swing 52005

Mediterránea Collection

Designed by Emiliana Design Studio

Mediterránea is a very comfortable, robust and stable armchair. With a calm and timeless character, it stands out because of the sinuous line of its structure and its friendly and rounded profiles. Its seat is on tensioned straps which makes it very comfortable for long periods of resting. The height of the seat and the design of the armrests make it easy to sit down and get up.

Mediterránea es una butaca muy confortable, robusta y estable. De carácter tranquilo y atemporal, destaca por la línea sinuosa de su estructura y sus perfiles amables y redondeados. Su asiento sobre cinchas tensadas le confiere una gran comodidad para largos periodos de descanso. La altura del asiento y el diseño del apoyabrazos permiten sentarse y levantarse de ella con mayor facilidad.

1. **Mediterránea armchair with headrest** / Ref. 187 / Structure: beech solid wood dyed Grey 74 EM
Seat and backrest: upholstered Gabriel Crisp 4201
2. **Mediterránea armchair** / Ref. 185 / Structure: beech solid wood varnished natural EM
Seat and backrest: upholstered Gabriel Swing 53522



- 1. **Mediterránea armchair** / Ref. 185 / Structure: beech solid wood varnished natural EM
Seat and backrest: upholstered Gabriel Swing 53522
- 2. **Mediterránea bench** / Ref. 186 / Structure: beech solid wood dyed Grey 74 EM
Seat and backrest: upholstered Gabriel Crisp 4201
- 3. **Mediterránea armchair with headrest** / Ref. 187 / Structure: beech solid wood dyed Green 63 EM
Seat and backrest: upholstered Gabriel Swing 53218
- 4. **Mediterránea ottoman** / Ref. 182 / Structure: beech solid wood dyed Green 63 EM
upholstered with Gabriel Swing 53218

The Mediterránea collection has two backrest heights available and also comes in a two-seater armchair version. It also incorporates an ottoman to allow leg support.

La colección Mediterránea está disponible en dos alturas de respaldo y en versión de butaca de dos plazas. Incorpora además un otomán para descansar las piernas.



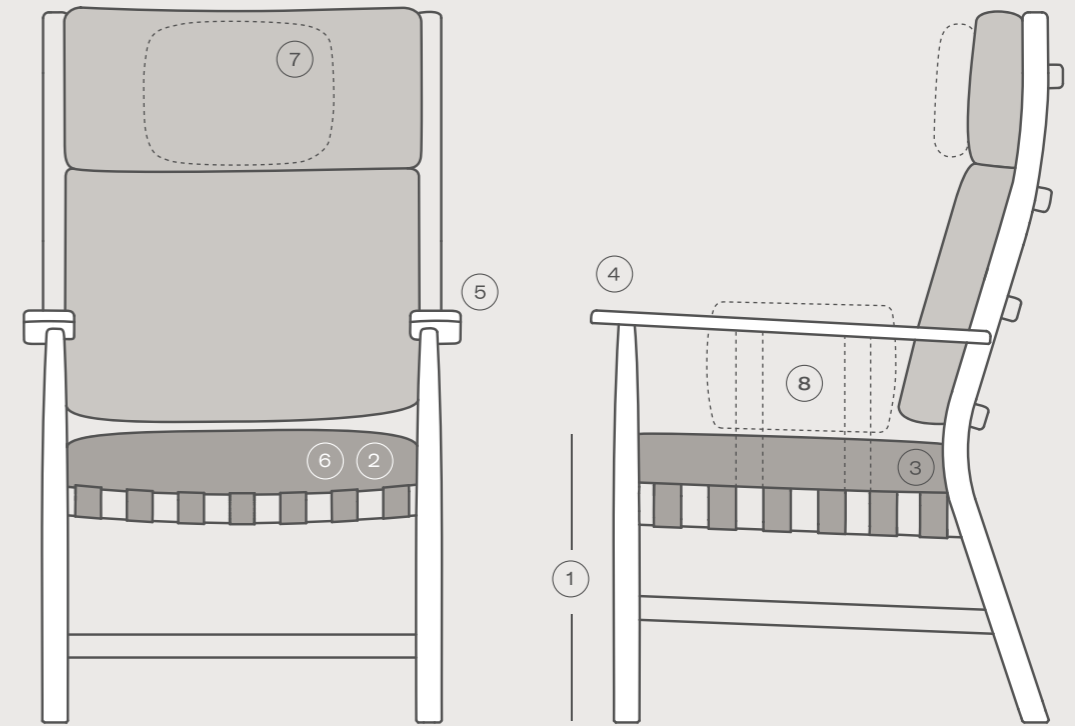
Mediterránea armchair with headrest / Ref. 187 / Structure: beech solid wood dyed Green 63 EM
 Seat and backrest: upholstered Gabriel Swing 53218



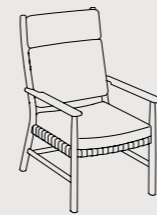
Mediterránea Collection

Mediterránea Collection

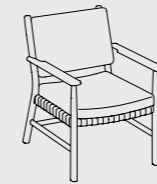
1. Optimal seat height to make it easy to sit down and get up.
 Altura del asiento óptima para facilitar sentarse y levantarse.
2. Cushion on elastic straps for comfortable sitting during long periods of rest.
 Cojín sobre cinchas elásticas para una sentada comfortable en largos periodos de descanso.
3. The space between the seat and backrest allows breathability and avoids the accumulation of bacteria.
 El espacio entre el asiento y el respaldo favorece la transpiración y evita rincones donde pueda alojarse suciedad y bacterias.
4. Wide armrests that offer comfort over long periods of time and are also designed to facilitate grip when sitting down and getting up.
 Apoyabrazos ancho que sobresale de la pata para facilitar el agarre en el momento de sentarse y levantarse.
5. Rounded edges to avoid injuries and bruises.
 Cantos redondeados para evitar heridas y contusiones.
6. Removable seat cover option for easy periodic cleaning and future replacement of the fabric.
 Opción de asiento desenfundable para facilitar la limpieza periódica y la futura renovación del tejido.
7. In the high version, the cervical support is optionally accompanied by the adaptable cushion.
 La versión alta ofrece opcionalmente un cojín adaptable para el apoyo cervical.
8. Optional side cushions for maximum comfort.
 Cojines laterales opcionales para máxima comodidad.



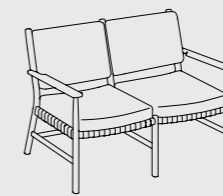
Collection Models



Mediterránea armchair with headrest
 H117 x W76 x D77
 Seat: 46 cm



Mediterránea armchair
 H94 x W76 x D73
 Seat: 46 cm



Mediterránea bench
 H94 x W113 x D73
 Seat: 46 cm



Mediterránea ottoman
 H46 x W50 x D43



Mediterránea side cushion (optional)



Mediterránea cushion for headrest (optional)

Accessories

Delta Collection

Designed by Emiliana Design Studio

Delta is a collection of very compact, robust and comfortable chairs and armchairs. Its design, with friendly and timeless lines, makes it particularly suitable for restaurant, meeting and leisure spaces.

In all its versions, the height of the seat, together with the design of its armrests, allows people to sit down and stand up more easily.

Delta es una colección de sillas y butacas muy compactas, robustas y confortables. Su diseño, de líneas amables y atemporales, la hace particularmente adecuada para espacios de restauración, reunión y ocio.

En todas sus versiones la altura del asiento y el diseño de su apoyabrazos permiten a las personas sentarse e incorporarse con mayor facilidad.



1. Delta chair / Ref. 143-01 / Structure & Seat: beech laquered RAL 8004 EM
2. Delta chair with armrests / Ref. 144-02 / Structure: beech solid wood dyed Salvia 10 EM / Seat: upholstered Gabriel Swing 53522

- 1. Delta chair with armrests / Ref. 144-02 / Structure: beech solid wood dyed Sand 26 EM
Seat: upholstered Gabriel Crisp 4721
- 2. Delta chair / Ref. 143-01 / Structure: beech wood natural varnished EM
- 3. Delta chair / Ref. 143-01 / Structure: beech wood laquered RAL 8004 EM



Delta Collection



- 1. Delta chair with armrests / Ref. 144-02 / Structure: beech solid wood dyed Sand 26 EM
Seat: upholstered Gabriel Crisp 4721
- 2. Muga rectangular table / Ref. 166 / Structure: beech solid wood dyed Sand 26 EM
Top: lacquered MDF with RAL 1027 EM



1. **Delta armchair** / Ref. 140-01 / Structure: beech solid wood natural varnished EM
Seat: upholstered Gabriel Swing 53218
2. **Delta armchair** / Ref. 140-01 / Structure: beech solid wood dyed Sand 26 EM
Seat: upholstered Gabriel Crisp 4604



In its armchair model with an upholstered seat on tensioned straps, it becomes a very versatile and especially comfortable seat for long periods of rest.

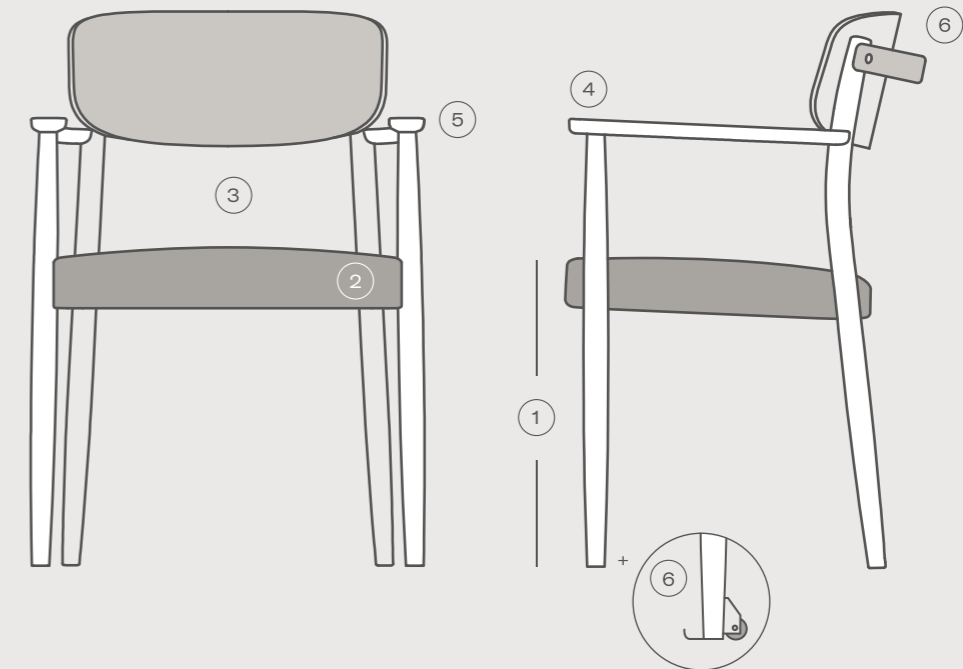
El modelo de butaquita con asiento tapizado sobre cinchas tensadas, la convierte en un asiento muy polivalente y especialmente cómodo para largos periodos de descanso.

Delta chair with armrests dandle and wheels / Ref. 145-02 /
 Structure: beech solid wood dyed White 22 EM
 Seat: upholstered Gabriel Crisp 4721



Delta Collection

1. Optimal seat height to make it easy to sit down and get up.
 Altura del asiento óptima para facilitar sentarse y levantarse.
2. Cushion on elastic straps for comfortable sitting during long periods of resting.
 Cojín sobre cinchas elásticas para una sentada confortable en largos periodos de descanso.
3. The space between the seat and the backrest allows breathability and avoids the accumulation of bacteria.
 El espacio entre el asiento y el respaldo favorece la transpiración y evita rincones donde pueda alojarse suciedad y bacterias.
4. The armrest extends beyond the leg to facilitate grip when sitting down and getting up.
 El apoyabrazos sobresale de la pata para facilitar el agarre al sentarse y levantarse.
5. Rounded edges to prevent injuries and bruises.
 Cantos redondeados para evitar heridas y contusiones.
6. An optional handle on the back and small wheels on the front legs, make it easier for people with reduced mobility to get closer to and separate from the table, thus minimizing possible back injuries to caregivers.
 Una asa opcional en la parte posterior y unas pequeñas ruedas en las patas delanteras facilitan acercarse y separarse de la mesa a aquellas personas con movilidad reducida, minimizando de esta manera posibles lesiones de espalda a los cuidadores.



Collection Models



Delta chair
 -stackable-
 H82 x W49 x D50
 Seat: 48 cm



Delta chair with armrests
 H82 x W58 x D57
 Seat: 48 cm



Delta armchair
 H80 x W58 x D51
 Seat: 46 cm

Selva Collection

Designed by Emiliana Design Studio

Selva is a collection of sturdy and highly versatile side tables designed for resting, socialising and leisure areas. The optimal height of its table tops facilitates accessibility for its users, while the ingenious design of its legs invite to hold walking sticks and crutches in an intuitive way.

The Selva collection also includes a versatile stackable stool, ideal for informal lounging in dynamic spaces.

Selva es una colección de mesas auxiliares, robustas y muy polivalentes, diseñadas para espacios de descanso, reunión y ocio. En sus dos versiones, redonda y rectangular, la óptima altura de sus sobres facilita la accesibilidad de sus usuarios, mientras que el ingenioso diseño de sus patas invita a sujetar, de manera intuitiva, bastones y muletas.

La colección Selva incorpora también un taburete versátil y apilable, muy útil para un descanso informal en espacios dinámicos.

1. Selva round table / Ref. 132 / Structure and top: beech wood dyed Salvia 10 EM
2. Selva rectangular table / Ref. 131 / Structure: beech solid wood lacquered Sand 1013 EM
Top: beech wood natural varnished EM
3. Selva stool / Ref. 133 / Structure and seat: beech wood natural varnished EM



- 1. Selva rectangular table / Ref. 131 / Structure and top: beech wood lacquered RAL 6005 EM
- 2. Mediterránea armchair / Ref. 185 / Structure: beech solid wood varnished natural EM
Seat and backrest: upholstered Gabriel Swing 53522





1

2

1. Selva round table / Ref. 132 / Structure and top: beech wood dyed Salvia 10 EM
 2. Bahía armchair with headrest / Ref. 151 / Structure and backrest: beech wood dyed Sand 26 EM
 Seat and backrest: upholstered Gabriel Crisp 4702

Selva Collection

Selva Collection

1.

The optimal table height facilitates accessibility for users.

La óptima altura de la mesa facilita la accesibilidad de los usuarios.

2.

Solid wood structure and plywood tops.

Estructura en madera maciza y sobres de contrachapado.

3.

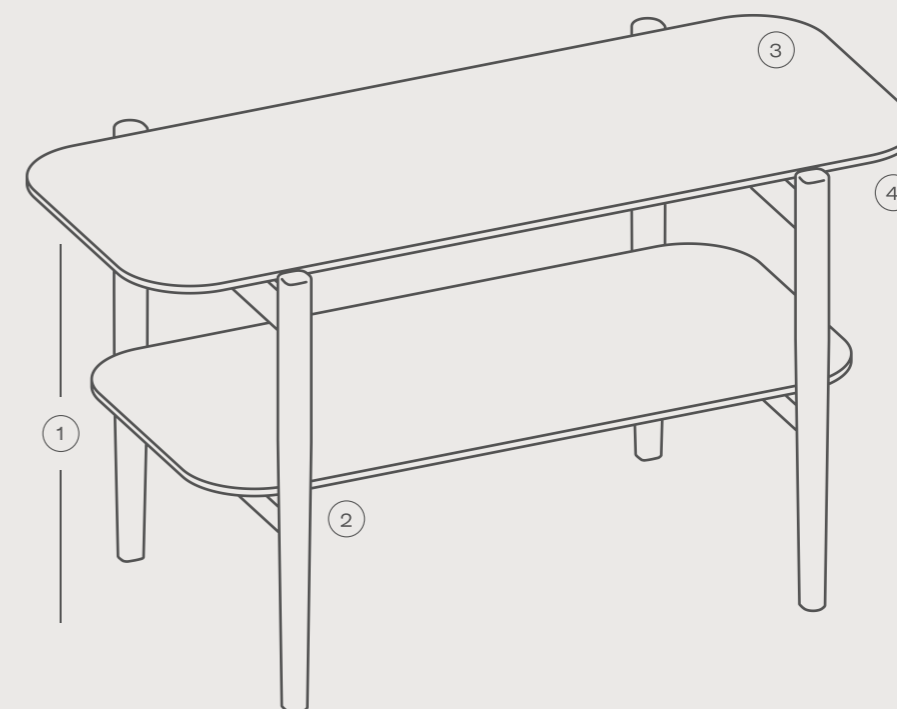
Rounded edges to avoid injuries and bruises.

Cantos redondeados para evitar heridas y contusiones.

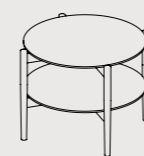
4.

The legs can be used to hold walking sticks and crutches.

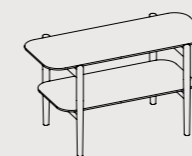
Las patas permiten sujetar bastones y muletas.



Collection Models



Selva round table
 H60 Ø75 cm



Selva rectangular table
 H60 110x50 cm



Selva stool
 -stackable-
 H45 Ø35 cm

Muga Collection

Designed by Emiliana Design Studio

Muga is a collection of tables with an honest and timeless design, designed for catering, socialising and leisure spaces.

In its two versions, rectangular or round, the central legs are designed to facilitate accessibility for all types of chairs and armchairs, as well as to improve the maneuverability of wheelchairs. Its rounded edges prevent possible injuries and bruises.

Muga es una colección de mesas de diseño honesto y atemporal, diseñada para espacios de restauración, reunión y ocio.

En sus dos versiones, rectangular o redonda, las patas centrales están diseñadas para facilitar la accesibilidad de todo tipo de sillas y butacas, así como mejorar la maniobrabilidad de sillas de ruedas. Sus cantos redondeados evitan posibles heridas y contusiones.



1. Muga rectangular table / Ref. 166 / Structure: beech solid wood dyed Sand 26 EM
Top: lacquered MDF with RAL 1027 EM
2. Delta chair with armrests / Ref. 144-02 / Structure: beech solid wood dyed Sand 26 EM
Seat: upholstered Gabriel Crisp 4721

- 1. **Muga rectangular table** / Ref. 166 / Structure: beech solid wood dyed Sand 26 EM
Top: lacquered MDF with RAL 1027 EM
- 2. **Delta chair with armrests** / Ref. 144-02 / Structure: beech solid wood
dyed Salvia 10 EM / Seat: upholstered Gabriel Swing 53522
- 3. **Delta chair with armrests** / Ref. 144-02 / Structure: beech solid wood dyed Sand 26 EM
Seat: upholstered Gabriel Crisp 4721
- 4. **Delta chair** / Ref. 143-01 / Structure and seat: beech wood natural varnished EM



- 1. **Muga square table** / Ref. 165 / Structure: beech solid wood dyed Sand 26 EM
Top: lacquered MDF with RAL 8004 EM
- 2. **Delta chair with armrests** / Ref. 144-02 / Structure: beech solid wood dyed Sand 26 EM
Seat: upholstered Gabriel Crisp 4721
- 3. **Delta chair** / Ref. 143-01 / Structure: beech solid laquered RAL 8004 EM
- 4. **Muga round table** / Ref. 165 / Structure: beech solid wood dyed Sand 26 EM
Top: beech wood dyed Sand 26 EM
- 5. **Delta chair with armrests** / Ref. 144-02 / Structure: beech solid wood dyed Salvia 10 EM
Seat: upholstered Gabriel Swing 53522
- 6. **Delta chair** / Ref. 143-01 / Structure and seat: beech wood dyed Salvia 10 EM

2

1

3

5

4

6

Muga rectangular table / Ref. 166 / Structure: beech solid wood dyed Sand 26 EM
Top: lacquered MDF with RAL 1027 EM



Muga Collection

1.

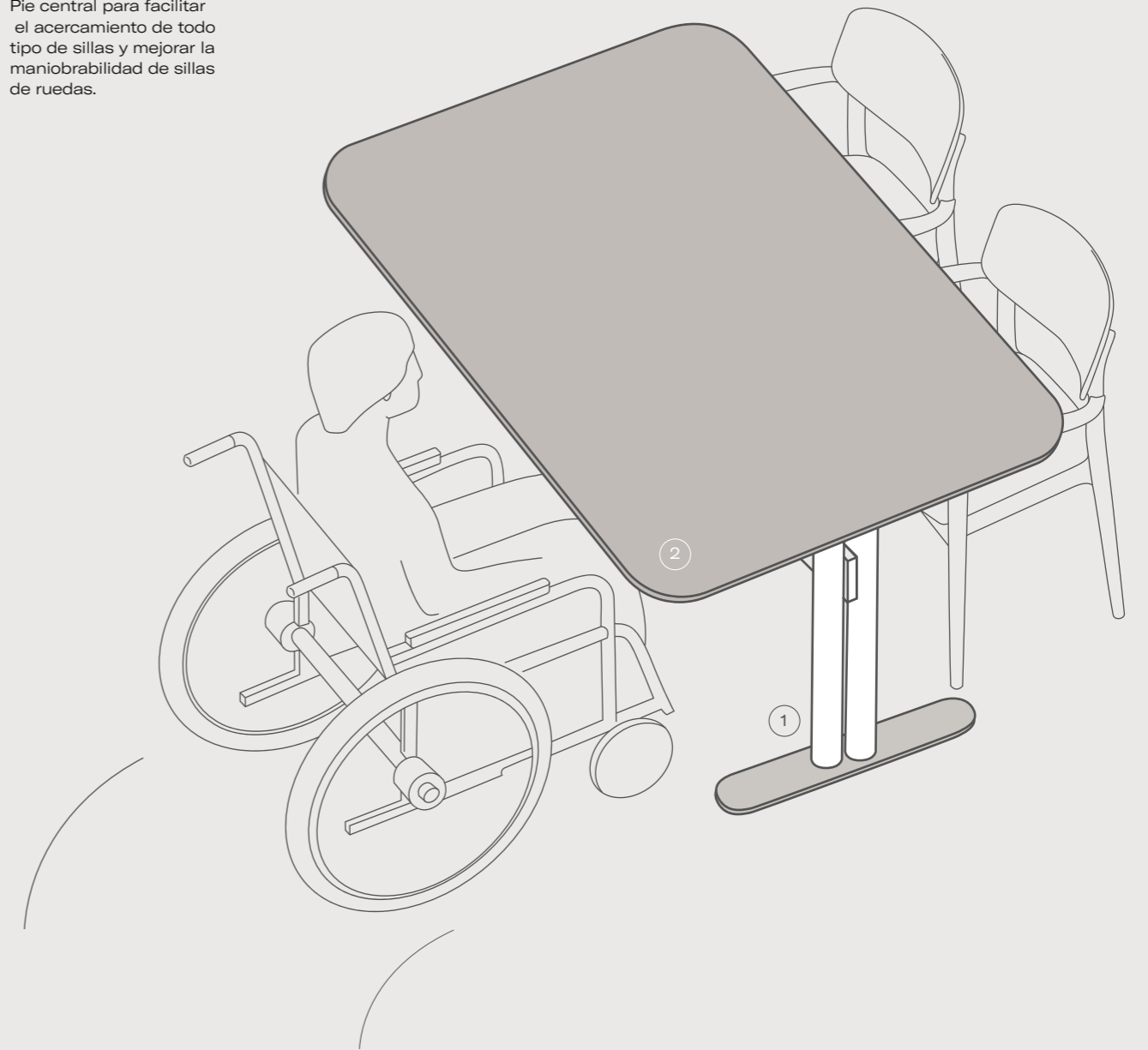
Central leg to facilitate the use of all types of chairs, and improve the maneuverability of wheelchairs.

Pie central para facilitar el acercamiento de todo tipo de sillas y mejorar la maniobrabilidad de sillas de ruedas.

2.

Rounded edges to avoid injuries and bruises.

Cantos redondeados para evitar heridas y contusiones.



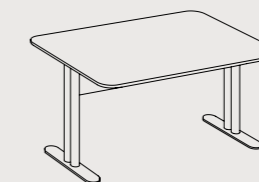
Collection Models



Muga round table
H75 Ø120 cm



Muga square table
H75 120x120 cm



Muga rectangular table
H75 150x100 cm

Projects

FIATC Residential Care Home:
Masies de Mollet, la Farinera, Mollet del Vallès

Interior design: Miriam Castells Studio

Our furniture is designed and manufactured to fit the most demanding "Care" spaces. For this reason, functionality and durability are essential values in our collections. We want our furniture to last in time, both aesthetically and functionally.

Nuestro mobiliario está diseñado y fabricado para equipar los espacios "Care" más exigentes. Por esta razón la funcionalidad y la robustez son valores indispensables en nuestras colecciones. Queremos que nuestro mobiliario perdure en el tiempo tanto estética como funcionalmente.





Delta chairs (Ref. 144-02) and Muga tables (Ref. 166) in the dining areas
FIATC Residential Care home: Masies de Mollet, La Farinera
Interior design: Miriam Castells Studio



Delta chairs (Ref. 145-02) and Muga tables (Ref. 165)

VERGÉS CARE

Delta chairs (Ref. 145-02) and Muga tables (Ref. 165) in the dining areas
FIATC Residential Care home: Masies de Mollet, La Farinera
Interior design: Miriam Castells Studio



Delta armchair (Ref. 140-01) in the private double room



Bahia armchairs with headrest (Ref. 151) and Selva tables (Ref. 132) in the resting area





FIATC Residential Care Home:
Mirador de Gràcia, Barcelona

Interior design: Miriam Castells Studio



Albufera armchair (Ref. 176) and Selva stool (Ref. 133)



Albufera armchairs (Ref. 177) in the resting area

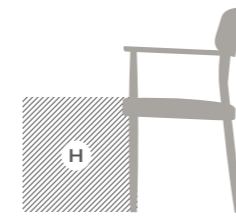


Mediterránea bench (Ref. 186) and Selva table (Ref. 132) in the hall



Mediterránea armchair (Ref. 185) and Selva table (Ref. 132)

Care Characteristics



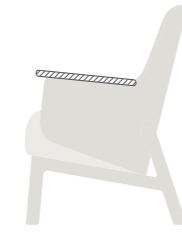
Optimal seat height to make it easy to sit down and get up.

Altura del asiento óptima para facilitar sentarse y levantarse.



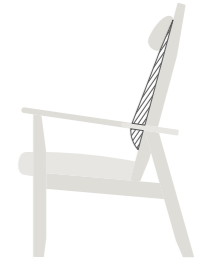
Sanitary gap. The space between the seat and backrest allows breathability and avoids the accumulation of bacteria.

Ranura sanitaria. El espacio entre el asiento y el respaldo favorece la transpiración y evita rincones donde pueda alojarse suciedad y bacterias.



Armrests designed to facilitate grip when sitting down and getting up.

Apoyabrazos diseñado para facilitar el agarre al sentarse y levantarse.



Optimum lumbar support for maximum comfort.

Óptimo apoyo lumbar para máximo confort.



Removable cushions for easy cleaning.

Cojines desenfundables para facilitar la limpieza.



Optional side cushions for extra comfort.

Cojines laterales opcionales para proporcionar mayor confort.



Adjustable headrest

Reposacabezas ajustable

At Vergés Care we emphasise aspects such as ergonomics, accessibility, comfort and maintenance, but without ever renouncing good design and aesthetic well-being. As we are convinced that an accessible, well-designed and well-furnished space contributes to creating healthy and healing environments for people.

En Vergés Care nos centramos en aspectos como la ergonomía, la accesibilidad, el confort y el mantenimiento, pero sin renunciar nunca al buen diseño y al bienestar estético, pues estamos convencidos de que un espacio accesible, bien diseñado y bien amueblado contribuye a crear entornos saludables y curativos para las personas.

General Finishes



The colours and finishes referenced in this catalogue may vary. For more precise compatibility, check our general collection of material and finish samples. All our products may be customized to any hotel & restaurant project or community according to the requirements of each client and the relevant specifications.

Los colores y acabados referenciados en este catálogo pueden variar respecto a la realidad. Para una equivalencia más precisa consultar el muestrario general de materiales y acabados. Todos nuestros productos se pueden personalizar a la medida de cada proyecto, de hostelería y colectividades, según los requerimientos de cada cliente y prescriptor.

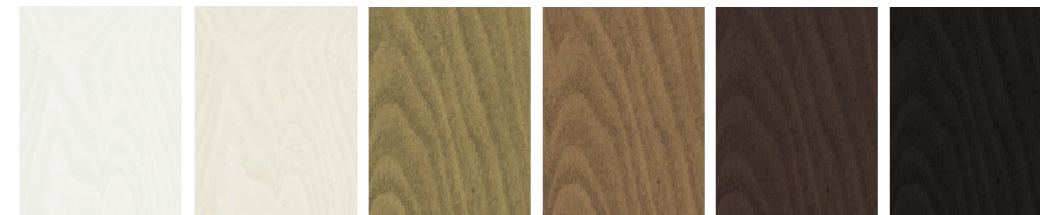
Wooden Finishes/ Acabados madera

Natural varnished wood
Madera natural embarnizada

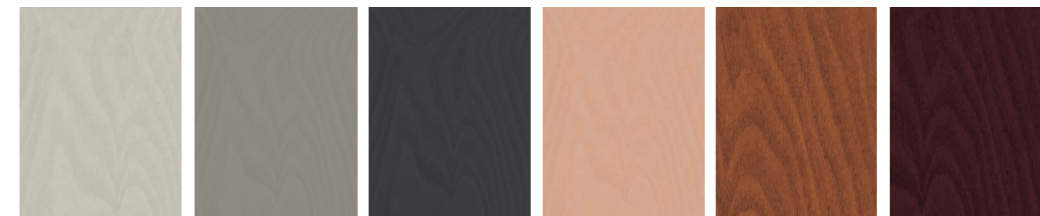


Beech / Haya

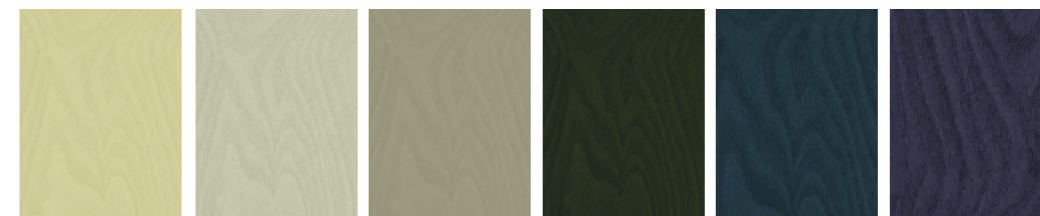
Dye beech wood
Haya tintada



White 22 Sand 26 Honey 1 Tea 12 Coffee 14 Chocolate 21



Grey 74 Grey 79 Black 11 Pink 32 Orange 83 Merlot 91



Salvia 10 Liquen 40 Green 63 Algae 19 Sea 52 Navy 53

Laquered beech wood
Haya lacada



RAL 1027 RAL 8004 RAL 6005 RAL 5020

Other RAL colours are available on request. Please contact our sales team.

Se puede aplicar otros colores RAL bajo demanda. Consultar con el equipo comercial.

Varnish Finishes
MI matt / AN satin

The Vergés company is located halfway between the Mediterranean and the Pyrenees, a unique rural territory that deeply marks the people of the region. Its volcanic origin conditions the landscape and the vegetation, its spectacular forests are a true exhibition in any season of the year.

The small workshop, founded in 1970 to manufacture handmade boga chairs, something closely linked to the territory, has progressed over the years to adapt to an increasingly demanding market. This evolution required optimising resources and incorporating the latest technologies to convert the original workshop into a modern and dynamic factory. Today, the second generation of the family is driving the new stage of the company without renouncing its origins, the craft, tradition and attention to detail. These principles are reflected in the current collections, highlighting the dialogue between craftsmanship and modernity, and where innovation goes hand in hand with quality materials, design and good finishes.

Today, Vergés products are a point of reference for architects and interior designers looking for quality contemporary furniture to adapt to the demanding world of hospitality and public spaces. In this sense, Vergés' ability to adapt to the needs of each client stands out, offering personalised finishes with high quality fabrics and a wide palette of materials and colours.

In recent years Vergés has launched the Care collection, a family of inclusive furniture with a focus on people with functional diversity. This innovative commitment connects with a greater social sensitivity towards a demographic reality that requires robust and safe furniture that facilitates the lives of all people and contributes to creating more humane and comfortable spaces.

La empresa Vergés está situada a medio camino entre el Mediterráneo y los Pirineos, un territorio rural único que marca profundamente a la gente de la comarca. Su origen volcánico condiciona el paisaje y la vegetación, sus espectaculares bosques son un verdadero espectáculo en cualquier estación del año.

El pequeño taller, fundado en 1970, para fabricar sillas artesanales de boga, algo muy ligado al territorio, fue progresando a lo largo de los años para adaptarse a un mercado cada vez más exigente. Esta evolución requirió optimizar los recursos e incorporar las últimas tecnologías para convertir el taller original en una moderna y dinámica factoría. Actualmente la segunda generación de la familia impulsa la nueva etapa de la empresa sin renunciar a sus orígenes, al oficio, la tradición y la atención por el detalle. Estos principios se reflejan en las colecciones actuales, destacando el diálogo entre lo artesanal y lo moderno, y donde la innovación va de la mano de la calidad en los materiales, el diseño y los buenos acabados.

Hoy, los productos de Vergés, son un referente para arquitectos e interioristas que buscan mobiliario contemporáneo de calidad para adaptarse al exigente mundo de la hostelería y los espacios públicos. En este sentido destaca la capacidad de Vergés de amoldarse a las necesidades de cada cliente, ofreciéndole la personalización de los acabados con tejidos de alta calidad y una amplia paleta de materiales y colores.

En los últimos años Vergés ha lanzado la colección Care, una familia de mobiliario inclusivo con una mirada puesta en las personas con diversidad funcional. Esta apuesta innovadora conecta con una mayor sensibilidad social hacia una realidad demográfica que precisa de mobiliario robusto y seguro que facilite la vida de todas las personas y contribuya a crear espacios más humanos y confortables.

Creative & Art Direction:

Emiliana Design Studio

Set Design:

Emiliana Design Studio

Thanks to:

Brian Godbold

Miriam Castells

Odin, the dog

nanimarquina

Teixidors

Marset

Tunds

Bover

Photography Credits:

Product & Set

Photography: Francesc Rabat

Projects

p.14; 48-57; 62

Photography: Meritxell Arjalaguer

Projects

p.58-61

Photography: Salva Lopez

Ctra. Brunells, s/n
17853 Tortellà, Girona
T. +34 972 287 277

info@verges.design
www.verges.design

Inspire. Create. Deliver.